



US00D680537S

(12) **United States Design Patent**
Miller et al.

(10) **Patent No.:** **US D680,537 S**
(45) **Date of Patent:** **** Apr. 23, 2013**

(54) **HOLE CARD READER**
(75) Inventors: **Arthur C. Miller**, Las Vegas, NV (US);
Russell D. Isaacs, Las Vegas, NV (US);
Dean A. Isaacs, Las Vegas, NV (US)

(73) Assignee: **Tech Art, Inc.**, Las Vegas, NV (US)

(**) Term: **14 Years**

(21) Appl. No.: **29/424,304**

(22) Filed: **Jun. 11, 2012**

Related U.S. Application Data

(63) Continuation-in-part of application No. 13/452,255, filed on Apr. 20, 2012, and a continuation-in-part of application No. 29/399,004, filed on Aug. 8, 2011, and a continuation-in-part of application No. 29/399,334, filed on Aug. 12, 2011, and a continuation-in-part of application No. 29/399,000, filed on Aug. 8, 2011.

(51) **LOC (9) Cl.** **14-02**

(52) **U.S. Cl.**
USPC **D14/385**

(58) **Field of Classification Search** D14/356-358,
D14/383-385, 420, 426, 427, 432-439, 447,
D14/453, 454, 217, 253, 299; D13/107,
D13/108, 133, 146, 147, 152, 154, 156, 158,
D13/162, 162.1, 168, 173, 177, 102; 235/441,
235/451, 492, 380, 439, 375; 361/679.31,
361/600, 679.01, 679.02; 273/148 R, 149;
463/25

See application file for complete search history.

(56) **References Cited**

U.S. PATENT DOCUMENTS

233,829 A 11/1880 Adt
1,356,398 A 10/1920 Owens

1,590,463 A 6/1926 Wood
1,919,922 A 7/1933 Baker, Jr. et al.
2,046,595 A 7/1936 Yerkes
3,034,512 A 5/1962 Hunter
3,165,319 A 1/1965 Benima
3,222,071 A 12/1965 Lang
3,312,473 A 4/1967 Friedman et al.
3,489,907 A 1/1970 Kenez
3,529,829 A 9/1970 Seifert
3,658,342 A 4/1972 Boren
3,690,670 A 9/1972 Cassady et al.

(Continued)

FOREIGN PATENT DOCUMENTS

DE 1039429 9/1958
DE 3807127 A1 9/1989

(Continued)

Primary Examiner — Austin Murphy

(74) *Attorney, Agent, or Firm* — Kevin P. Crosby, Esq.;
GrayRobinson, P.A.

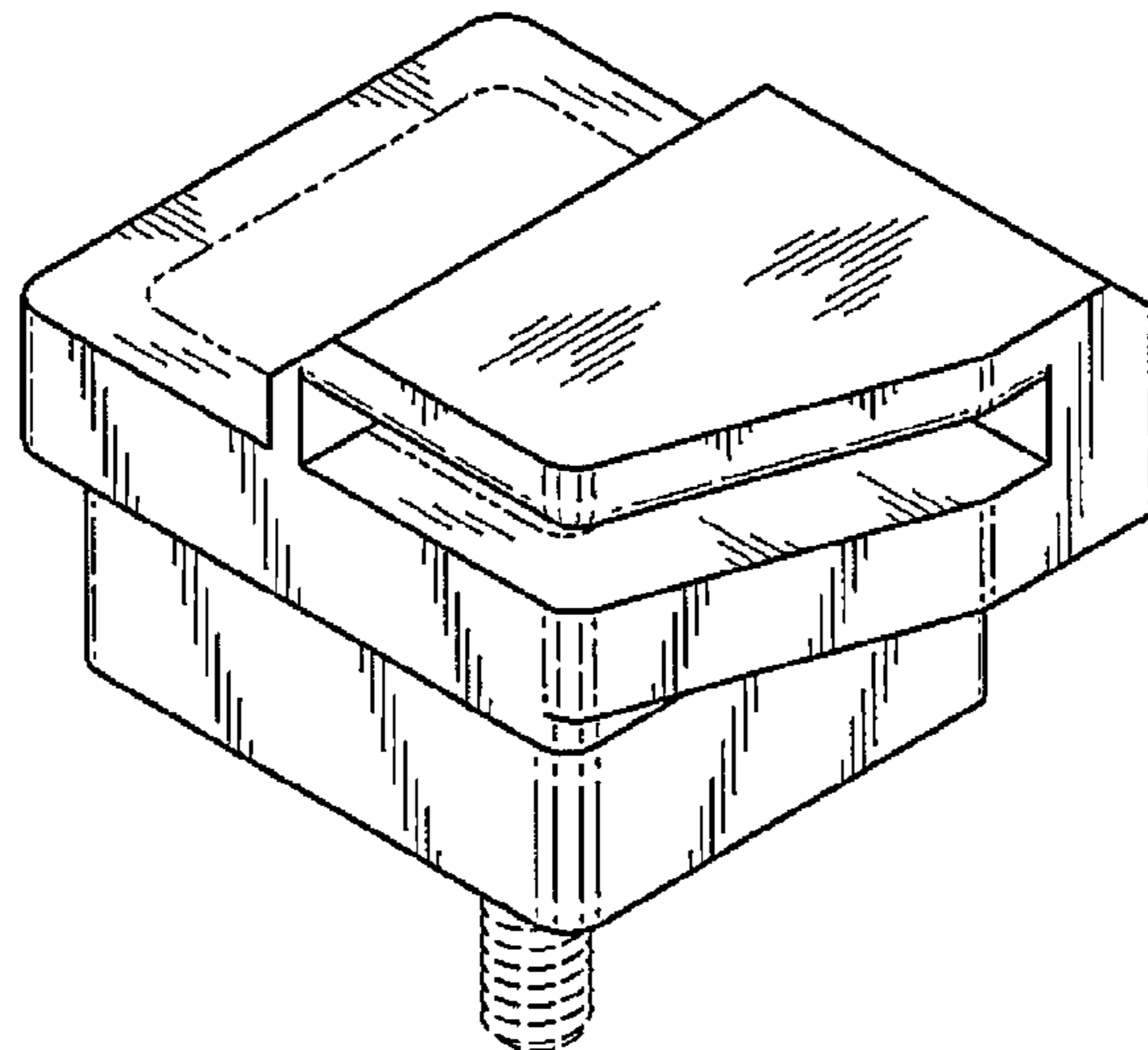
(57) **CLAIM**

The ornamental design for a hole card reader, as shown and described.

DESCRIPTION

FIG. 1 is a top plan view of the design.
FIG. 2 is a right side elevational view thereof.
FIG. 3 is a front elevational view thereof.
FIG. 4 is a bottom plan view thereof.
FIG. 5 is rear elevational view thereof.
FIG. 6 is a left side elevational view thereof.
FIG. 7 is a left front perspective view thereof.
FIG. 8 is a right front perspective view thereof.
FIG. 9 is a left rear perspective view thereof; and,
FIG. 10 is a right rear perspective view thereof.
The broken lines shown in the drawings represent portions of the hole card reader that form no part of the claimed design.

1 Claim, 10 Drawing Sheets



US D680,537 S

U.S. PATENT DOCUMENTS

3,706,874	A *	12/1972	Lockard	235/473
3,716,238	A	2/1973	Porter		
3,731,936	A	5/1973	Copeland		
3,742,616	A	7/1973	Heller		
3,743,294	A	7/1973	Forster		
3,751,041	A	8/1973	Seifert		
3,779,554	A	12/1973	Brix		
3,814,436	A	6/1974	Boren		
3,858,797	A	1/1975	Takeuchi		
3,929,339	A	12/1975	Mattioli		
4,026,309	A	5/1977	Howard		
D248,233	S *	6/1978	Dibenedetto	D14/385
4,146,229	A	3/1979	Morse		
4,314,700	A	2/1982	Dylag		
4,531,187	A	7/1985	Uhland		
4,534,562	A	8/1985	Cuff et al.		
4,667,959	A	5/1987	Pfeiffer et al.		
4,814,589	A	3/1989	Storch et al.		
4,822,050	A	4/1989	Normand et al.		
D305,882	S *	2/1990	Kato et al.	D14/385
D312,247	S *	11/1990	Simoneaux et al.	D14/385
D317,951	S	7/1991	Miller		
5,039,102	A	8/1991	Miller		
D319,825	S *	9/1991	Andrew	D14/385
5,067,713	A	11/1991	Soules et al.		
D323,490	S *	1/1992	Jarilla-Valiente	D14/385
5,110,134	A	5/1992	Laughlin et al.		
5,219,172	A	6/1993	Laughlin et al.		
5,224,712	A	7/1993	Laughlin et al.		
5,283,422	A	2/1994	Storch et al.		
5,312,104	A	5/1994	Miller		
5,362,053	A	11/1994	Miller		
5,364,106	A	11/1994	Laughlin et al.		
5,374,061	A	12/1994	Albrecht		
5,451,054	A	9/1995	Orenstein		
5,531,331	A	7/1996	Barnett		
5,651,548	A	7/1997	French et al.		
5,669,816	A	9/1997	Garczynski et al.		
5,681,039	A	10/1997	Miller		
5,722,893	A	3/1998	Hill et al.		
5,757,876	A	5/1998	Dam et al.		
5,779,546	A	7/1998	Meissner et al.		
5,781,647	A	7/1998	Fishbine et al.		
5,809,482	A	9/1998	Strisower		
5,933,244	A	8/1999	Kiritchenko		
5,941,769	A	8/1999	Order		
5,961,121	A	10/1999	Brown		
6,039,650	A	3/2000	Hill		
6,126,166	A	10/2000	Lorson et al.		
6,254,484	B1	7/2001	McCrea, Jr.		
6,267,671	B1	7/2001	Hogan		
6,299,536	B1	10/2001	Hill		
6,313,871	B1	11/2001	Schubert		

6,346,044	B1	2/2002	McCrea, Jr.		
6,431,984	B2	8/2002	Coyer et al.		
6,460,848	B1	10/2002	Soltys et al.		
6,514,140	B1	2/2003	Storch		
6,517,435	B2	2/2003	Soltys et al.		
6,517,436	B2	2/2003	Soltys et al.		
6,520,857	B2	2/2003	Soltys et al.		
6,527,271	B2	3/2003	Soltys et al.		
6,530,836	B2	3/2003	Soltys et al.		
6,532,297	B1	3/2003	Lindquist		
6,533,276	B2	3/2003	Soltys et al.		
6,567,159	B1	5/2003	Corech		
6,579,180	B2	6/2003	Soltys et al.		
6,595,857	B2	7/2003	Soltys et al.		
6,609,710	B1	8/2003	Order		
6,619,662	B2	9/2003	Miller		
6,626,750	B2	9/2003	Momemy		
6,629,889	B2	10/2003	Mothwurf		
6,638,161	B2	10/2003	Soltys et al.		
6,652,379	B2	11/2003	Soltys et al.		
6,663,490	B2	12/2003	Soltys et al.		
6,685,568	B2	2/2004	Soltys et al.		
6,688,979	B2	2/2004	Soltys et al.		
6,712,696	B2	3/2004	Soltys et al.		
6,758,751	B2	7/2004	Soltys et al.		
6,845,905	B2	1/2005	Blad et al.		
6,848,994	B1	2/2005	Knust et al.		
6,857,961	B2	2/2005	Soltys et al.		
6,964,612	B2	11/2005	Soltys et al.		
7,011,309	B2	3/2006	Soltys et al.		
D522,511	S *	6/2006	Sekou	D14/385
7,316,615	B2	1/2008	Soltys et al.		
2002/0086727	A1	7/2002	Soltys et al.		
2003/0220136	A1	11/2003	Soltys et al.		
2004/0219975	A1	11/2004	Soltys et al.		
2005/0239542	A1	10/2005	Olsen		
2005/0258597	A1	11/2005	Soltys et al.		
2005/0282623	A1	12/2005	Matsuno et al.		
2006/0019739	A1	1/2006	Soltys et al.		
2006/0063577	A1	3/2006	Downs, III et al.		
2006/0199649	A1	9/2006	Soltys et al.		

FOREIGN PATENT DOCUMENTS

EP	0310516	A1	4/1989
FR	1356398		2/1964
FR	2109213		5/1972
FR	2186839		1/1974
FR	2427107		12/1979
FR	2576518		8/1986
GB	2061490	A	5/1981
WO	9942186	A1	8/1999
WO	0120489	A1	3/2001

* cited by examiner

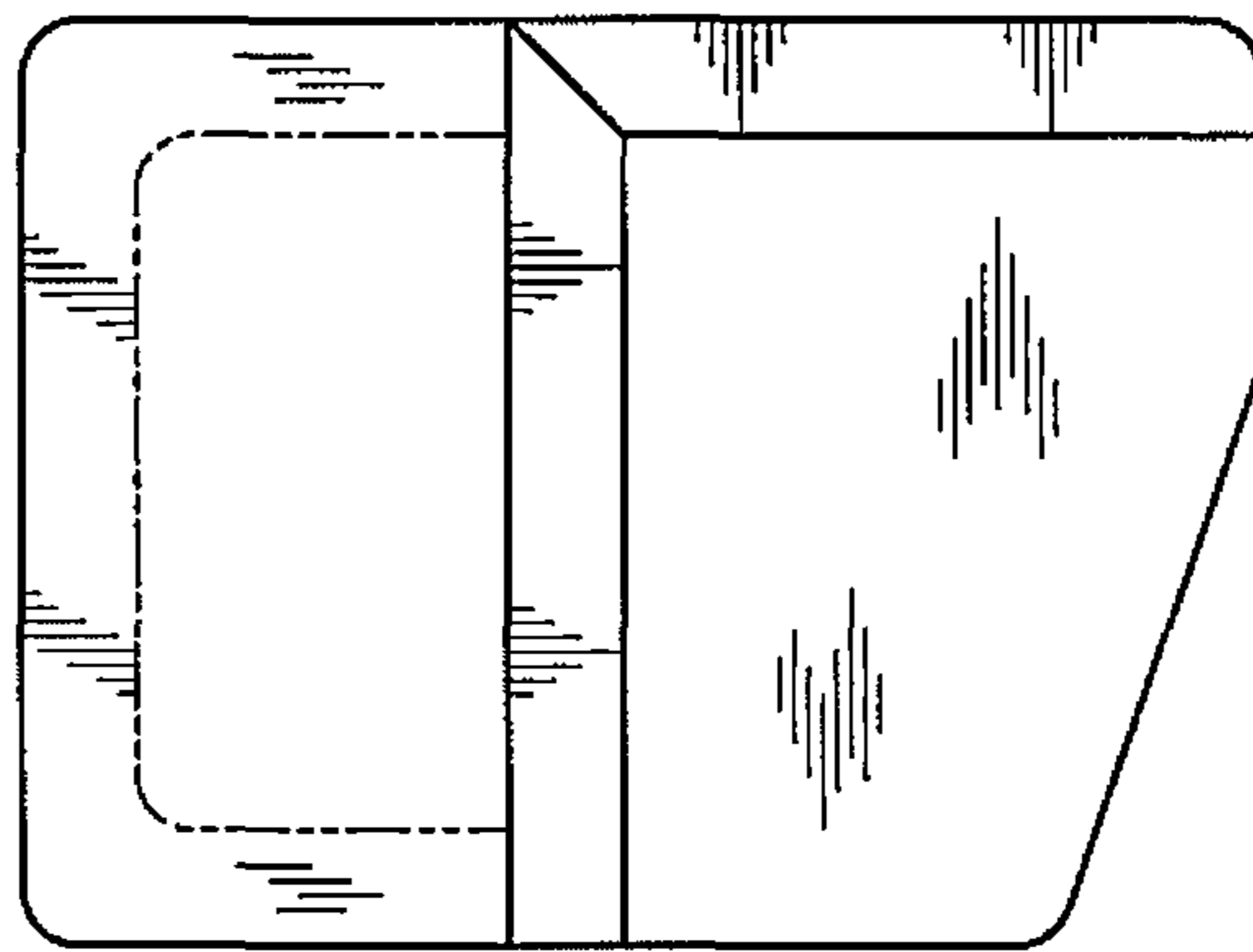


FIG. 1

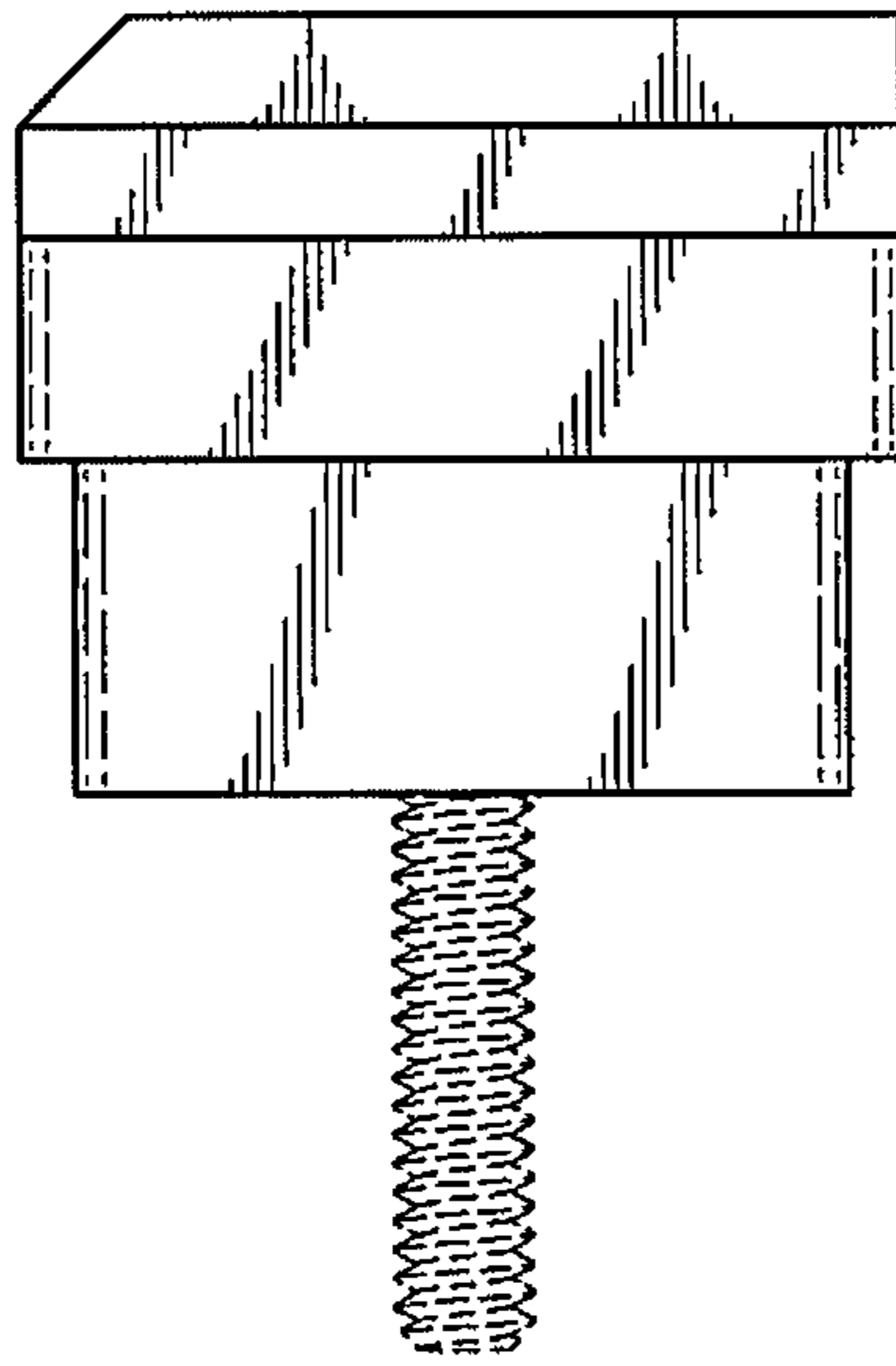


FIG. 2

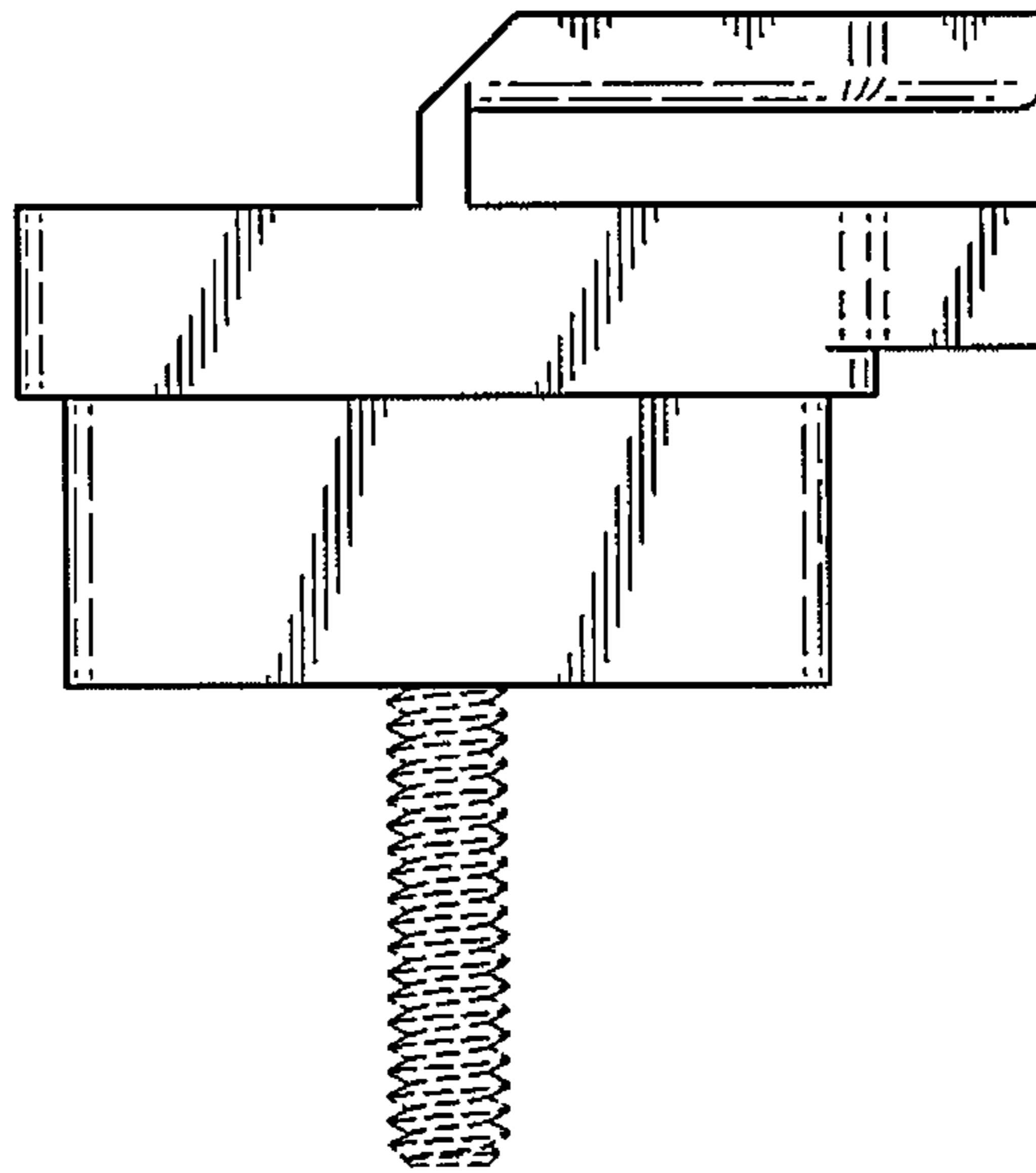


FIG. 3

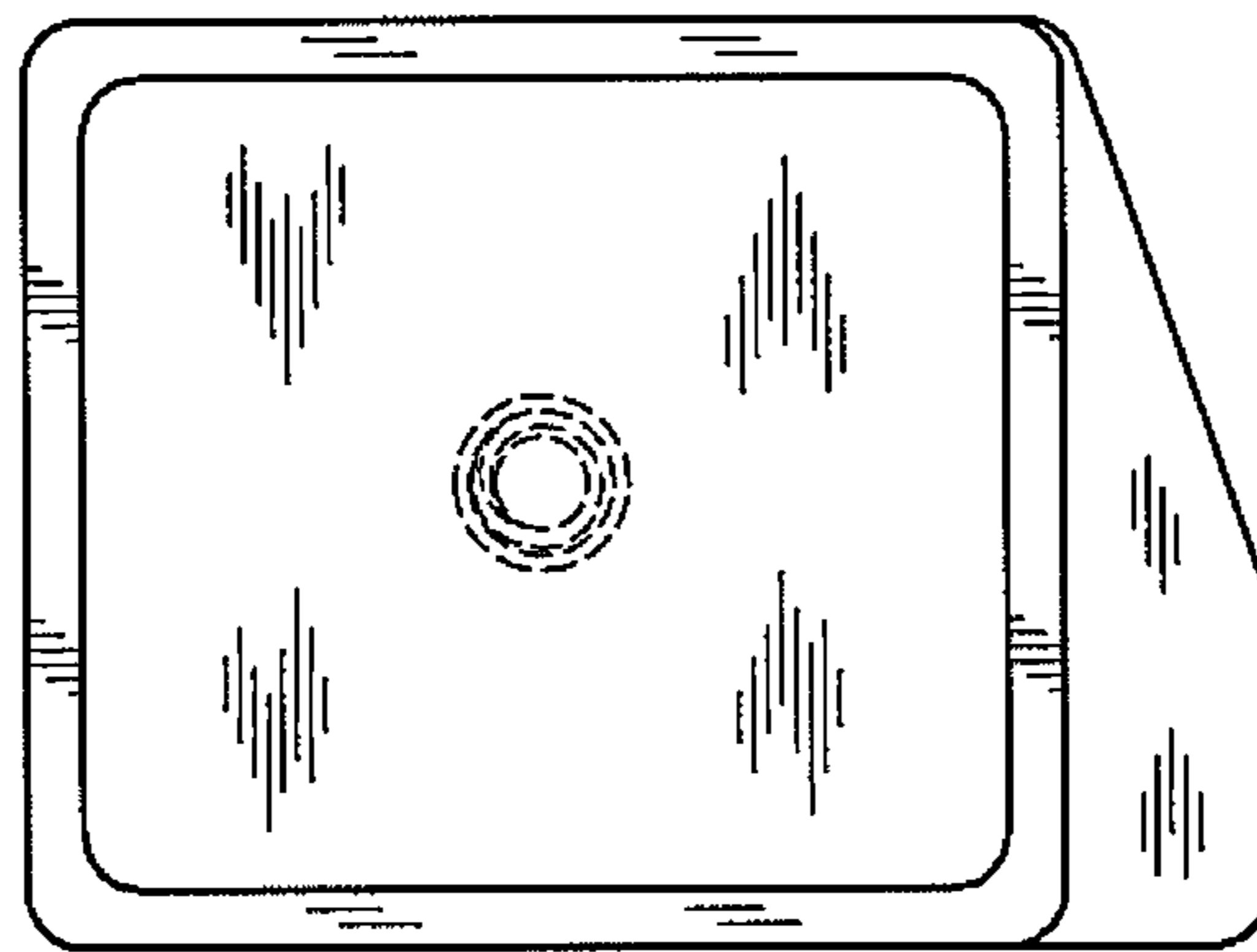


FIG. 4

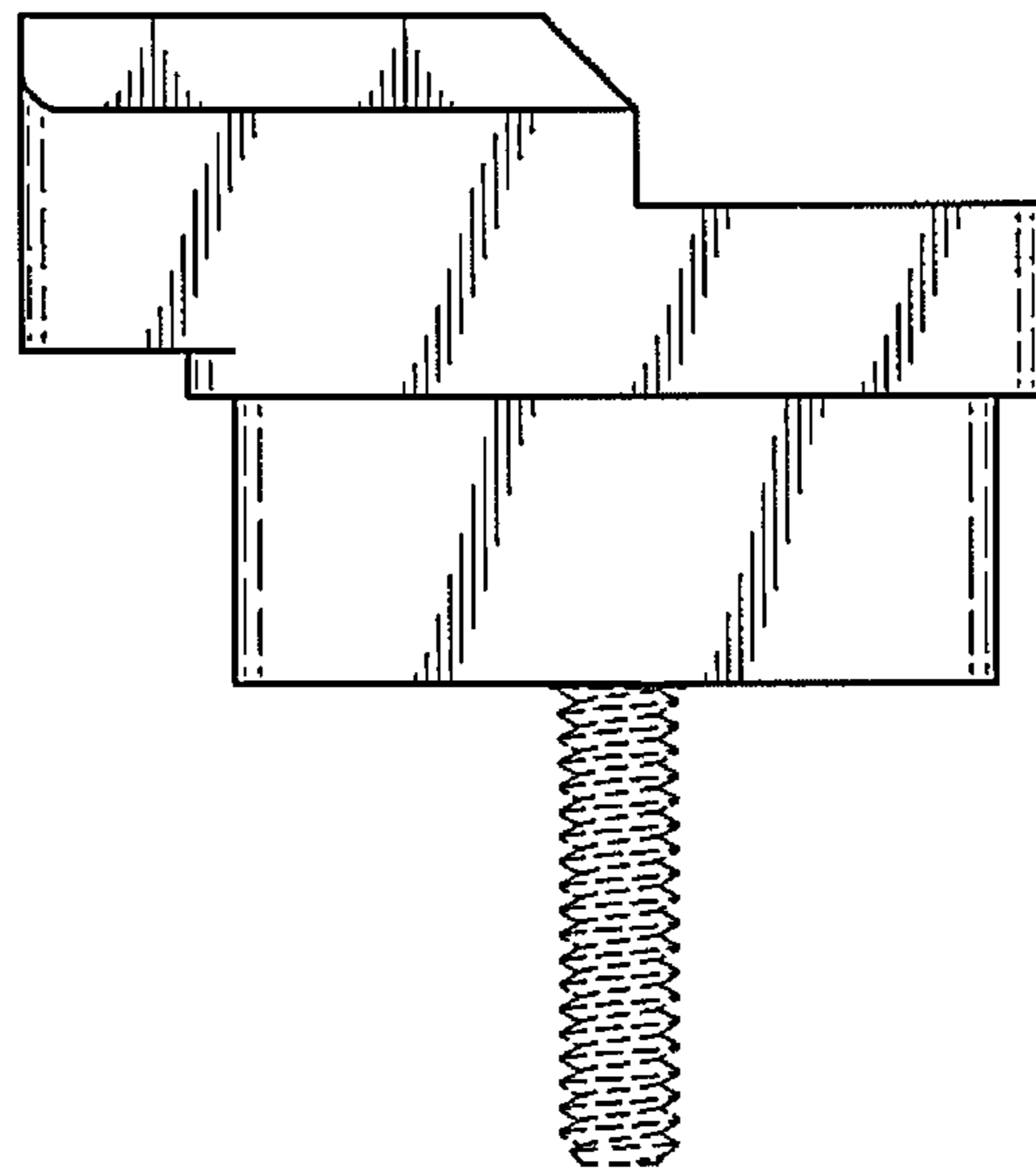


FIG. 5

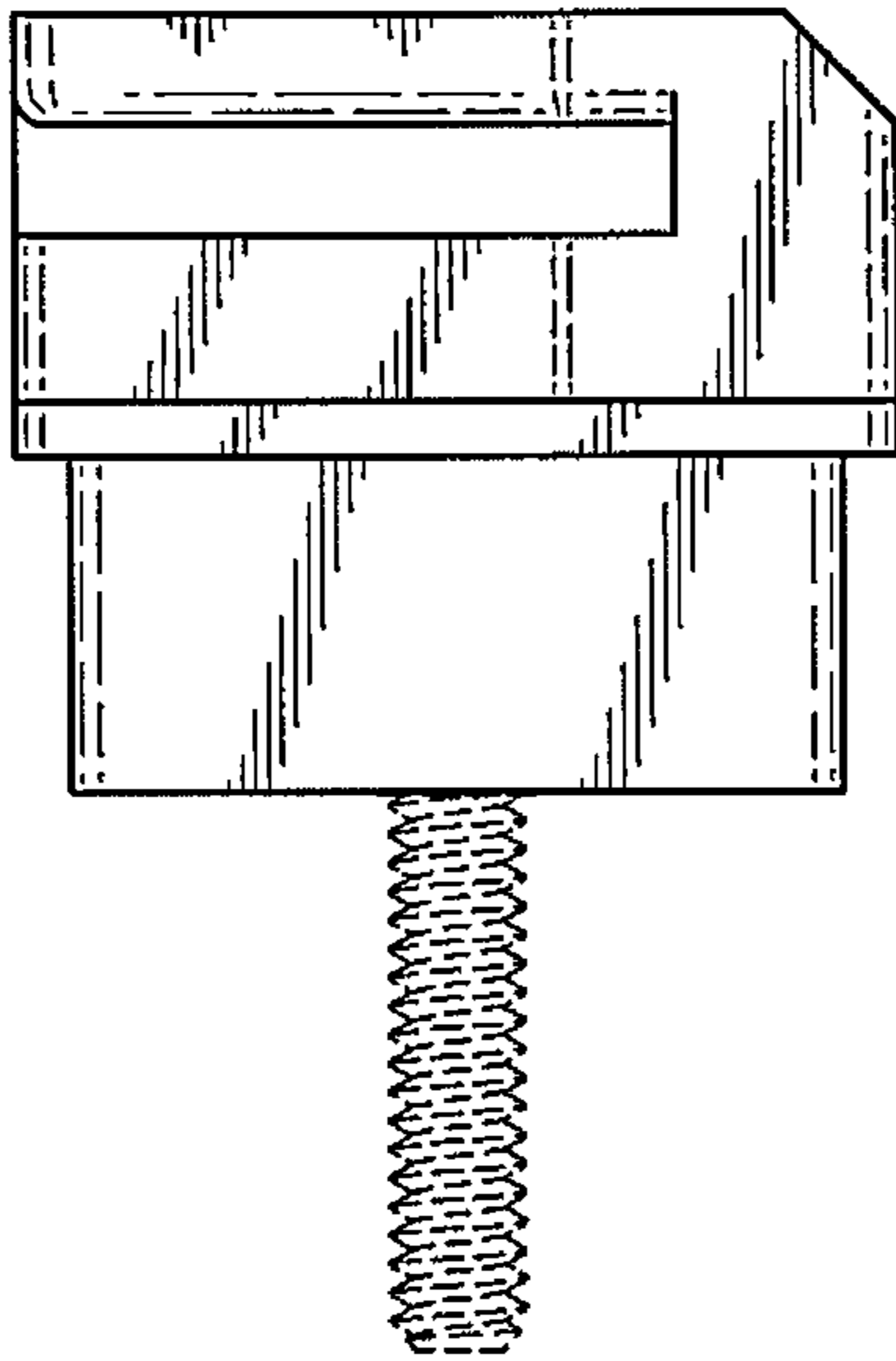


FIG. 6

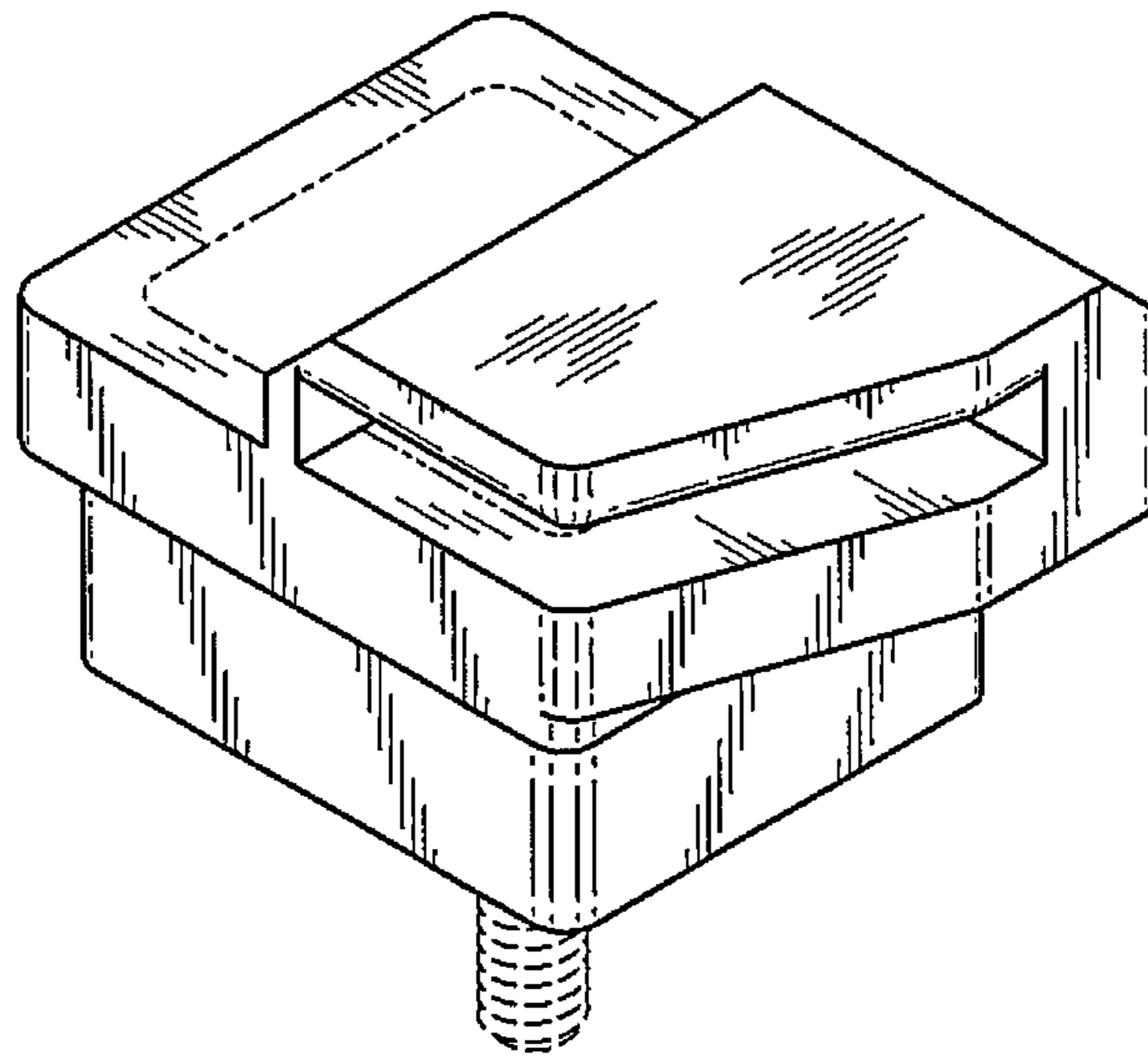


FIG. 7

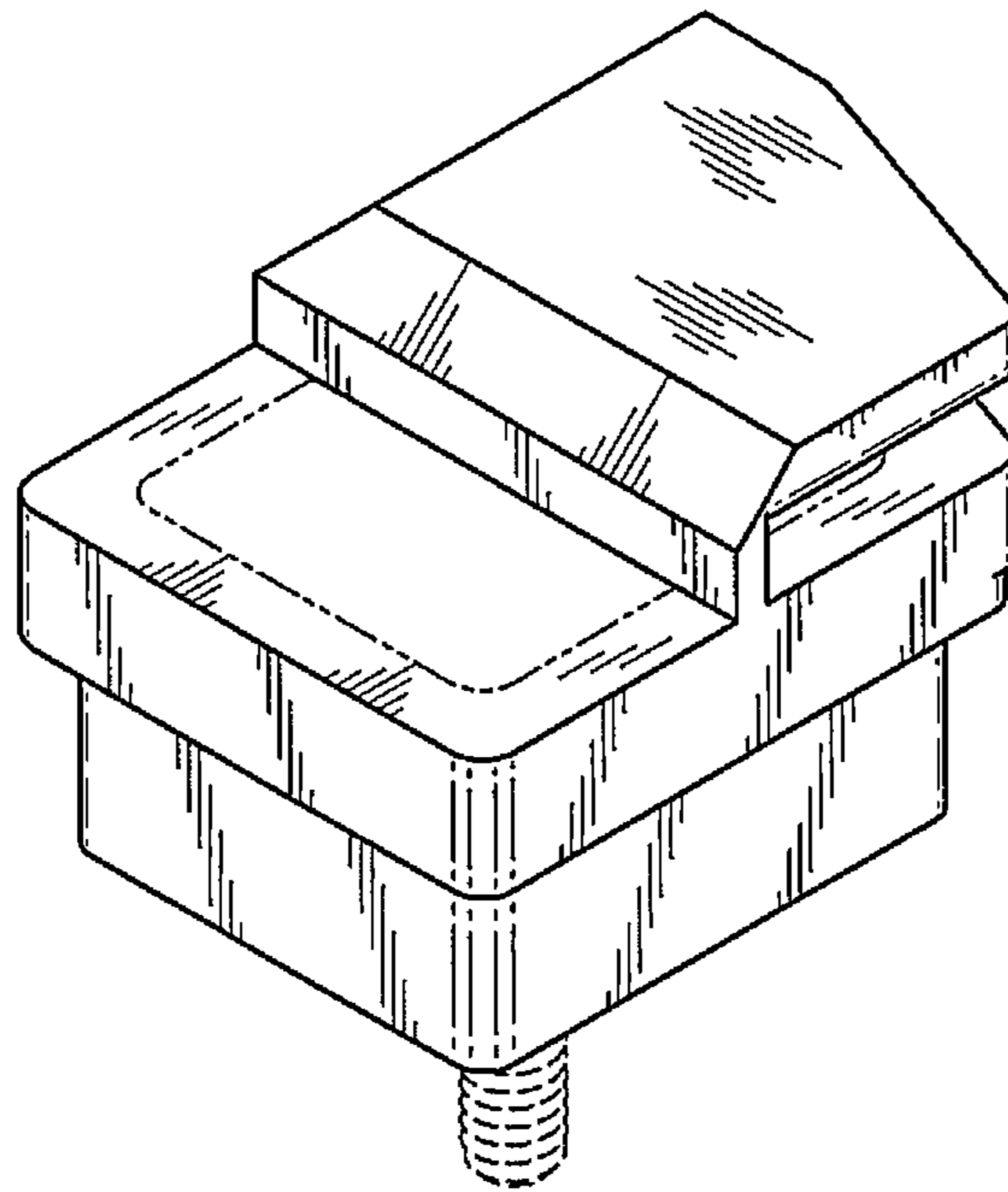


FIG. 8

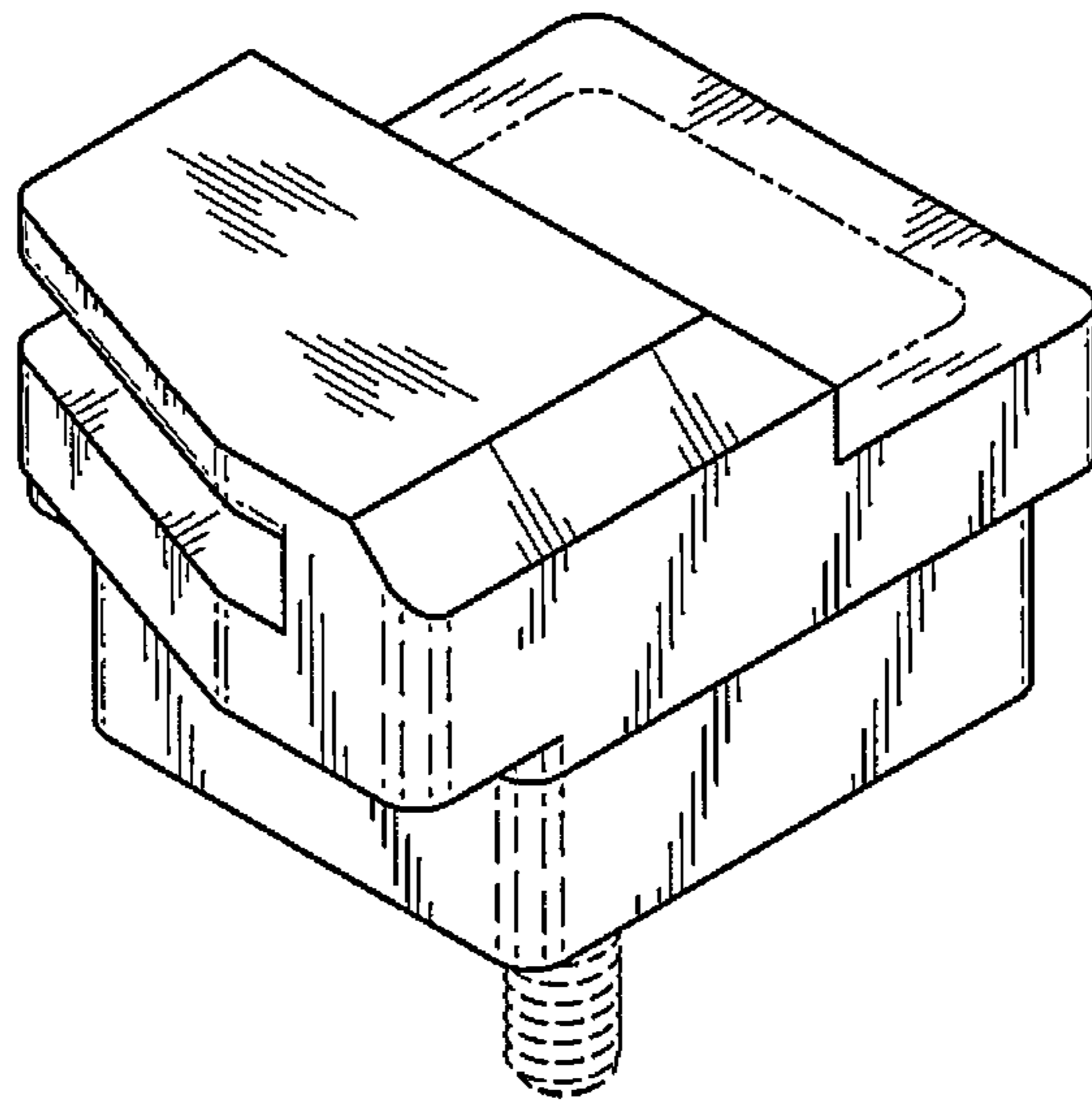


FIG. 9

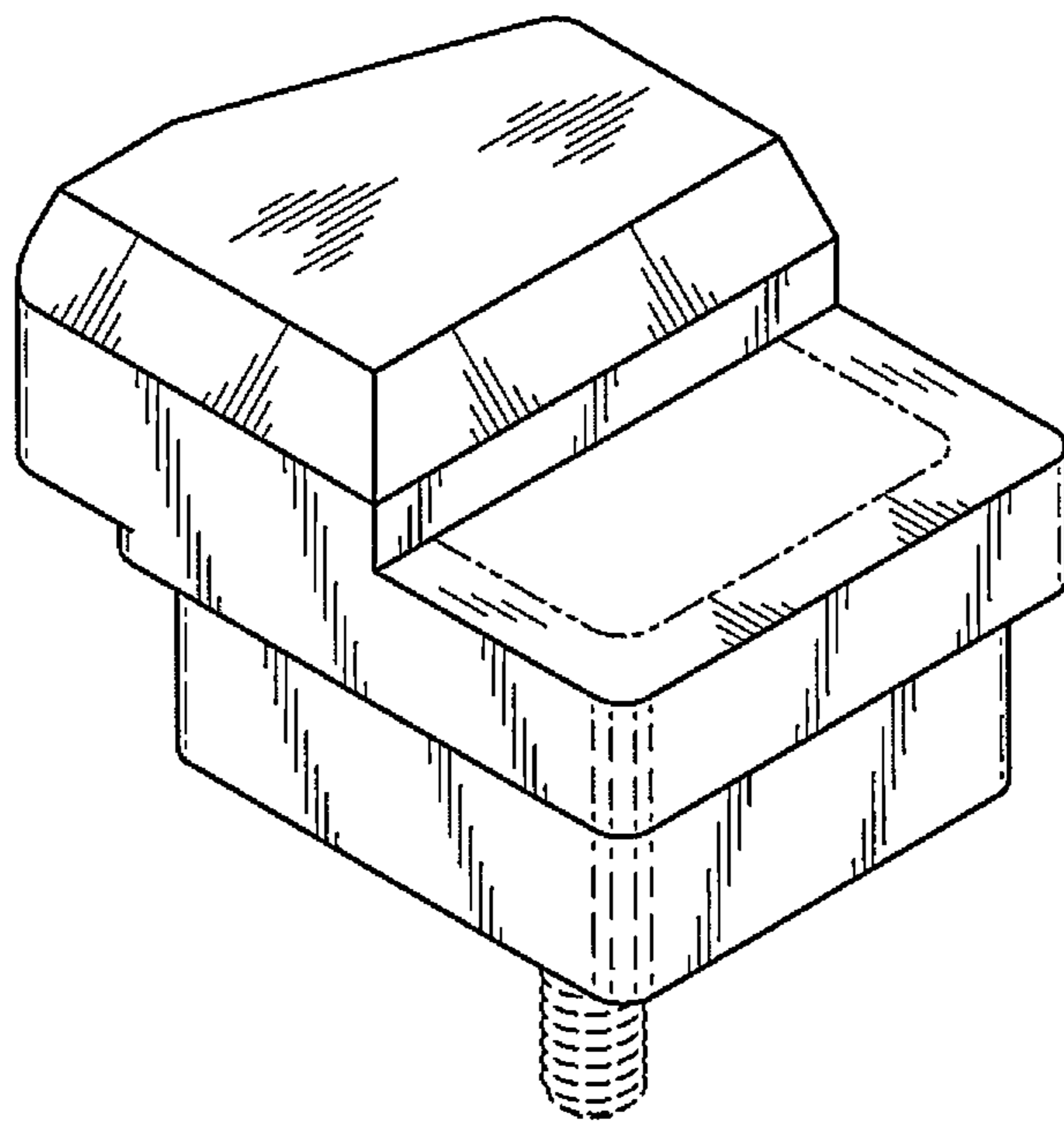


FIG. 10