



US00D680536S

(12) **United States Design Patent**
Tzeng

(10) **Patent No.:** **US D680,536 S**

(45) **Date of Patent:** **** Apr. 23, 2013**

(54) **MULTI-MEDIA PLAYER**

(75) Inventor: **Guan-Hua Tzeng**, New Taipei (TW)

(73) Assignee: **Cheng Uei Precision Industry Co., Ltd.**, New Taipei (TW)

(**) Term: **14 Years**

(21) Appl. No.: **29/392,734**

(22) Filed: **May 25, 2011**

(51) **LOC (9) Cl.** **14-02**

(52) **U.S. Cl.**
USPC **D14/358**

(58) **Field of Classification Search** D14/300–302,
D14/314, 348–370, 383–385, 435, 496, 125,
D14/135, 155, 203.1, 203.3, 240–242, 299;
D3/273; D9/432; D10/65, 75, 78; D13/103,
D13/119, 162, 184, 199;
361/679.31, 679.33–679.45; 312/223.2

See application file for complete search history.

(56) **References Cited**

U.S. PATENT DOCUMENTS

D305,639	S	*	1/1990	Miki et al.	D13/103
D491,563	S	*	6/2004	Sato et al.	D14/433
D532,817	S	*	11/2006	Ishii	D18/50
D558,787	S	*	1/2008	Yu et al.	D14/496
D618,252	S	*	6/2010	Bradford et al.	D14/496

* cited by examiner

Primary Examiner — Karen E Kearney

(74) *Attorney, Agent, or Firm* — Cheng-Ju Chiang

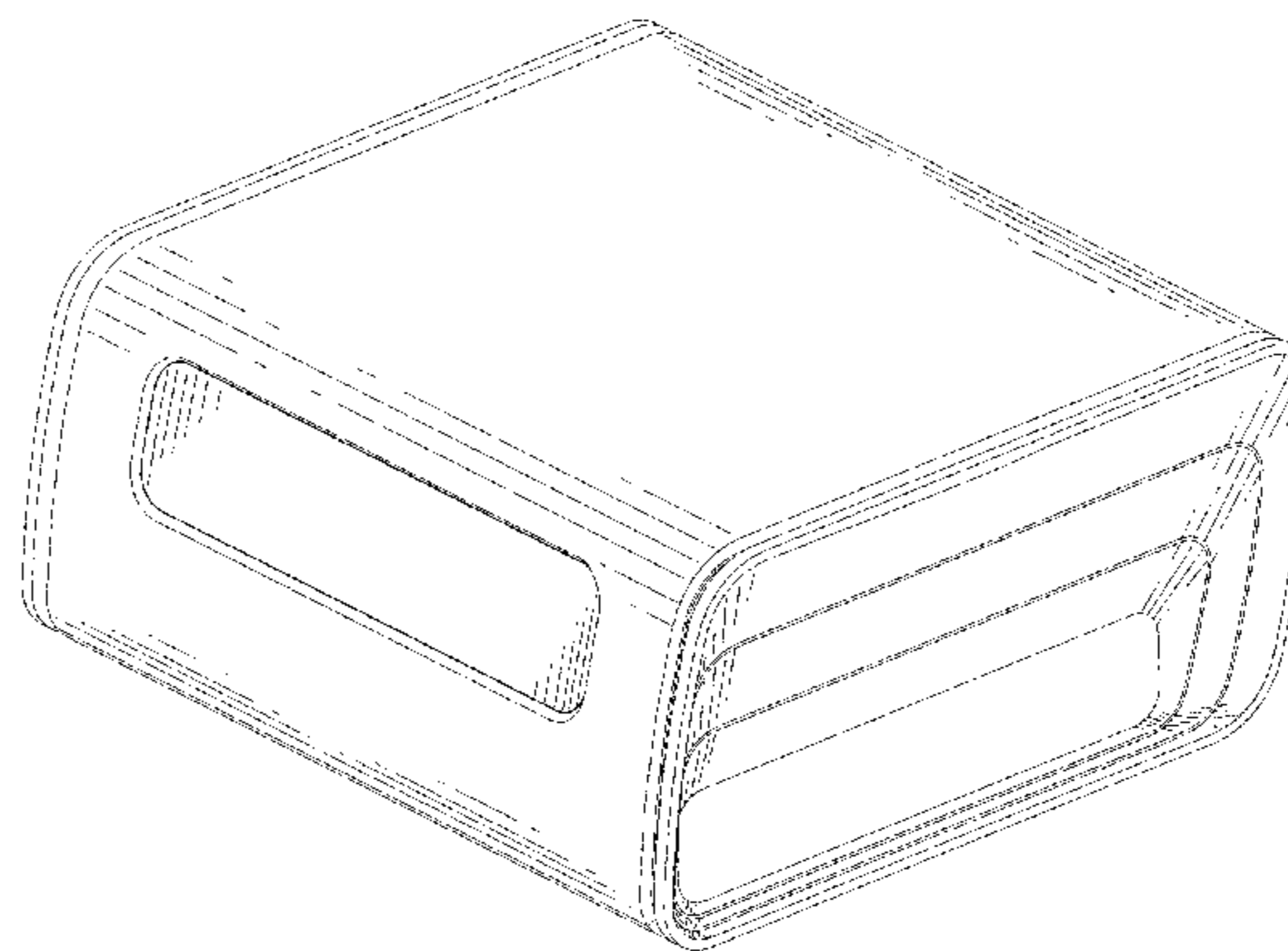
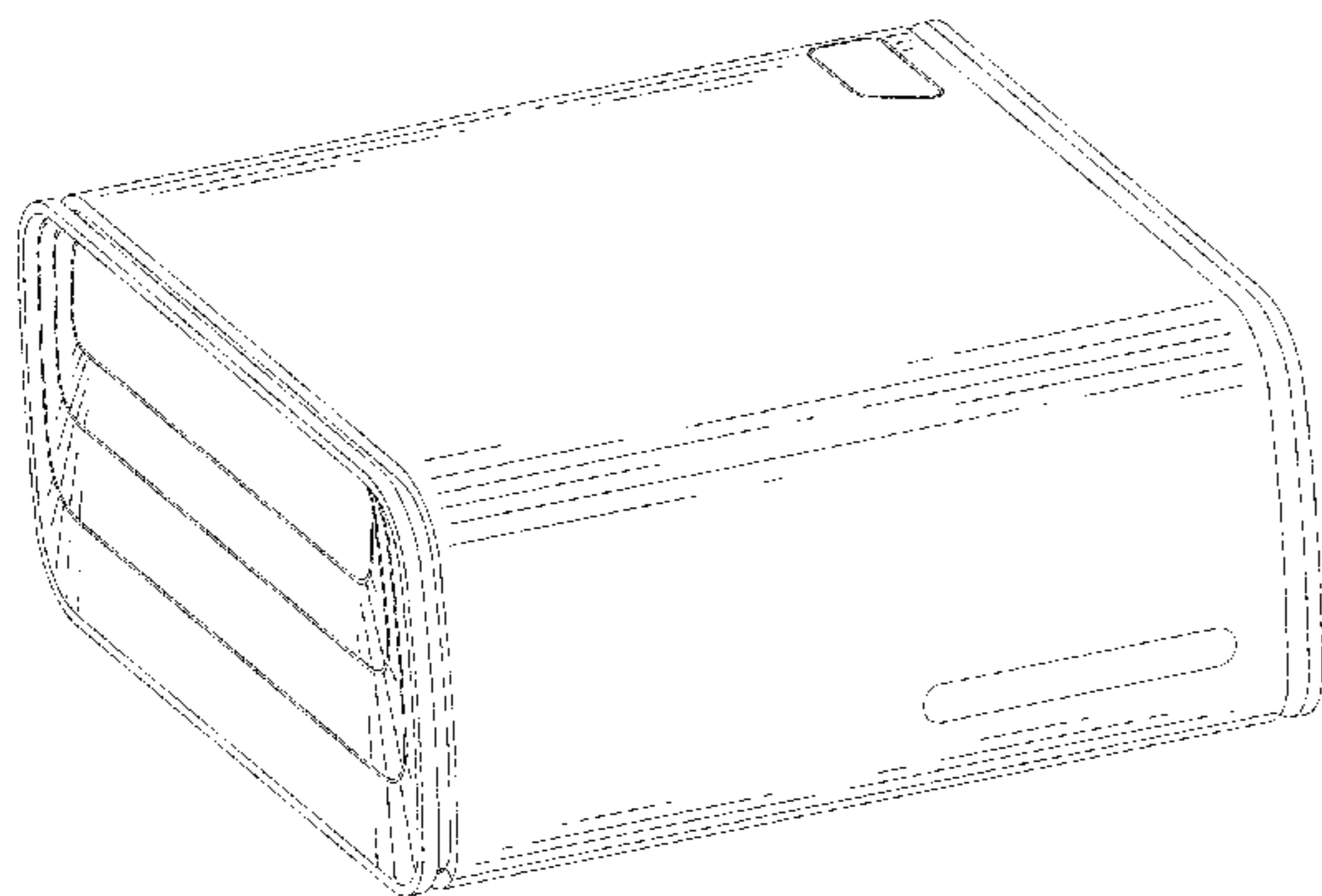
(57) **CLAIM**

The ornamental design for a multi-media player, as shown and described.

DESCRIPTION

FIG. 1 is a perspective view of a multi-media player showing my new design;
FIG. 2 is a front elevational view thereof;
FIG. 3 is a rear elevational view thereof;
FIG. 4 is a left side elevational view thereof;
FIG. 5 is a right side elevational view thereof;
FIG. 6 is a top plan view thereof;
FIG. 7 is a bottom plan view thereof; and,
FIG. 8 is another perspective view of the multi-media player showing my new design.

1 Claim, 8 Drawing Sheets



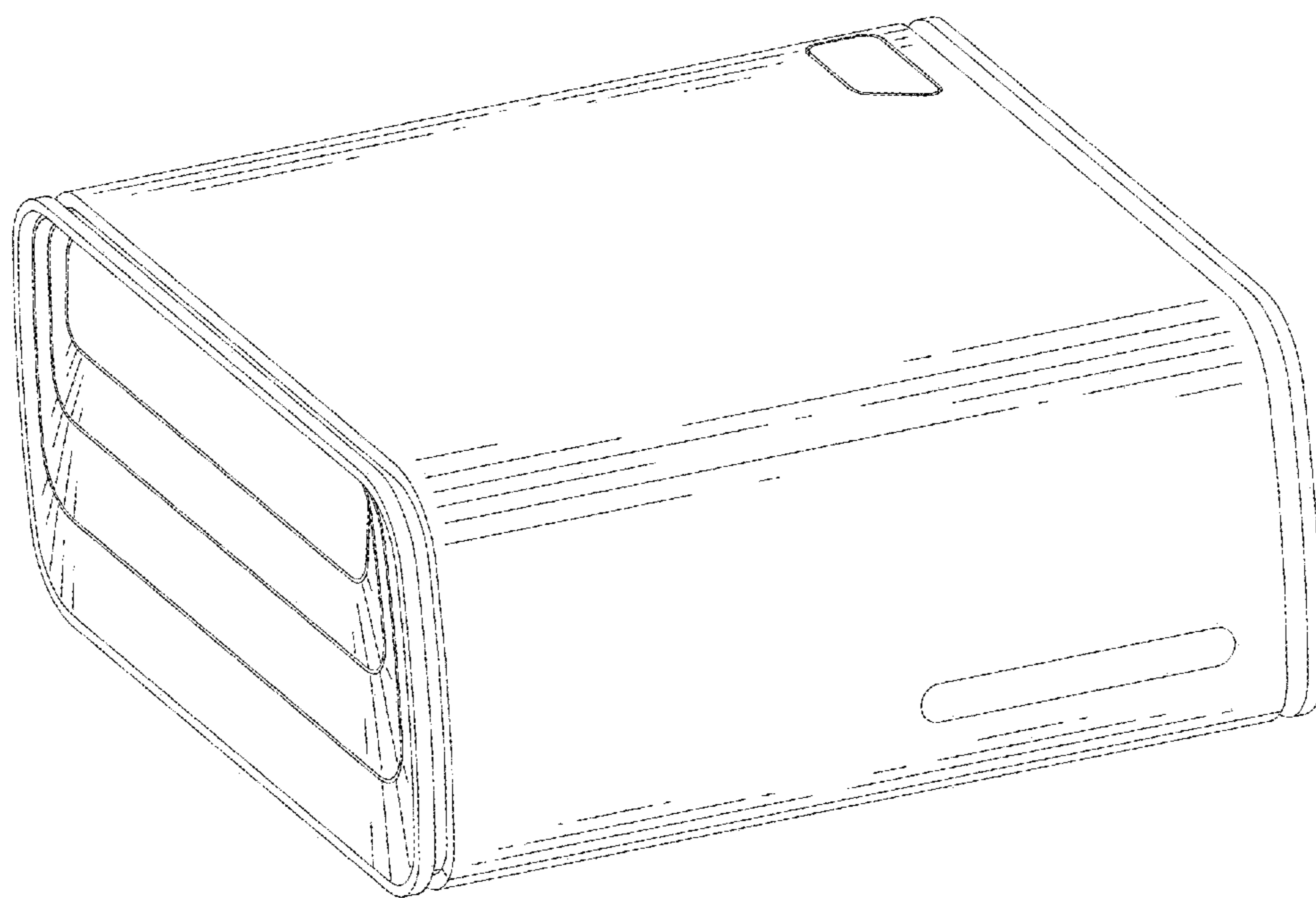


FIG. 1

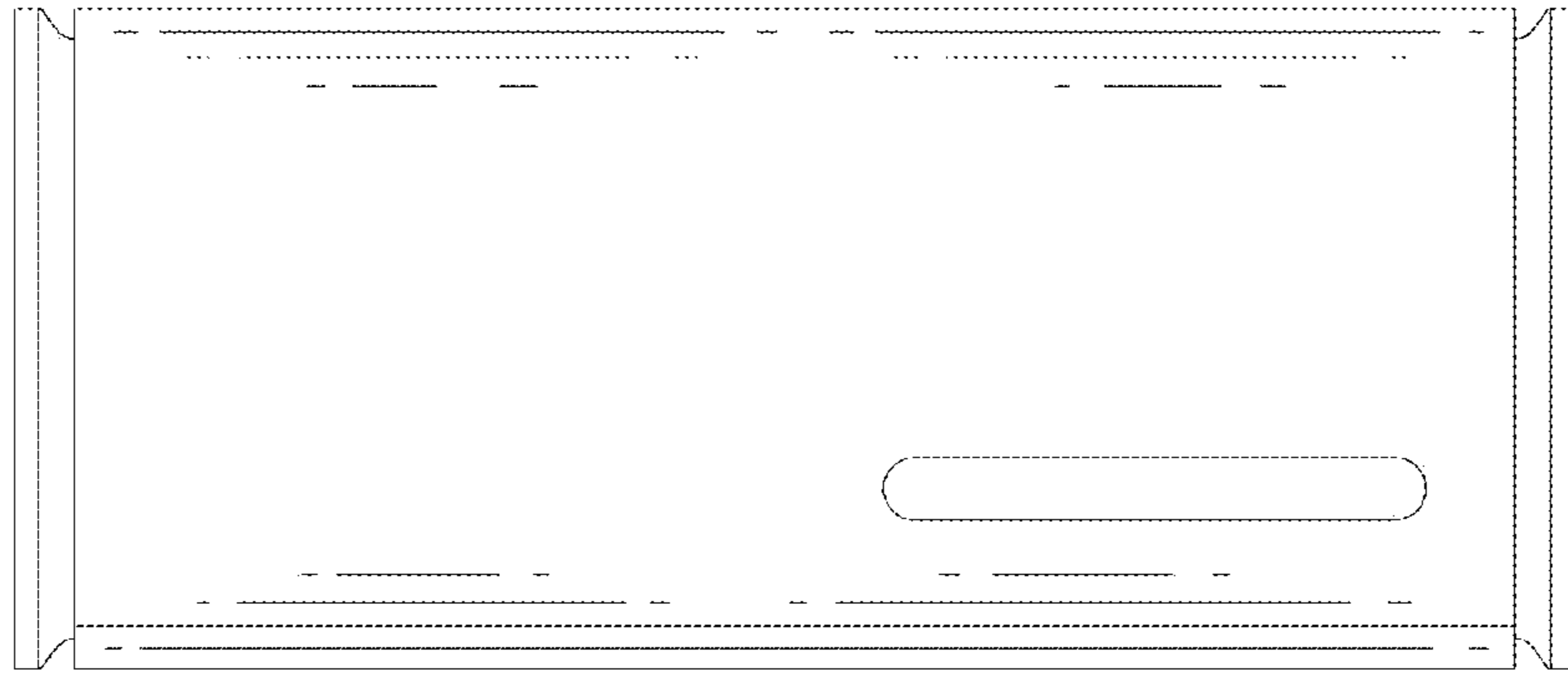


FIG. 2

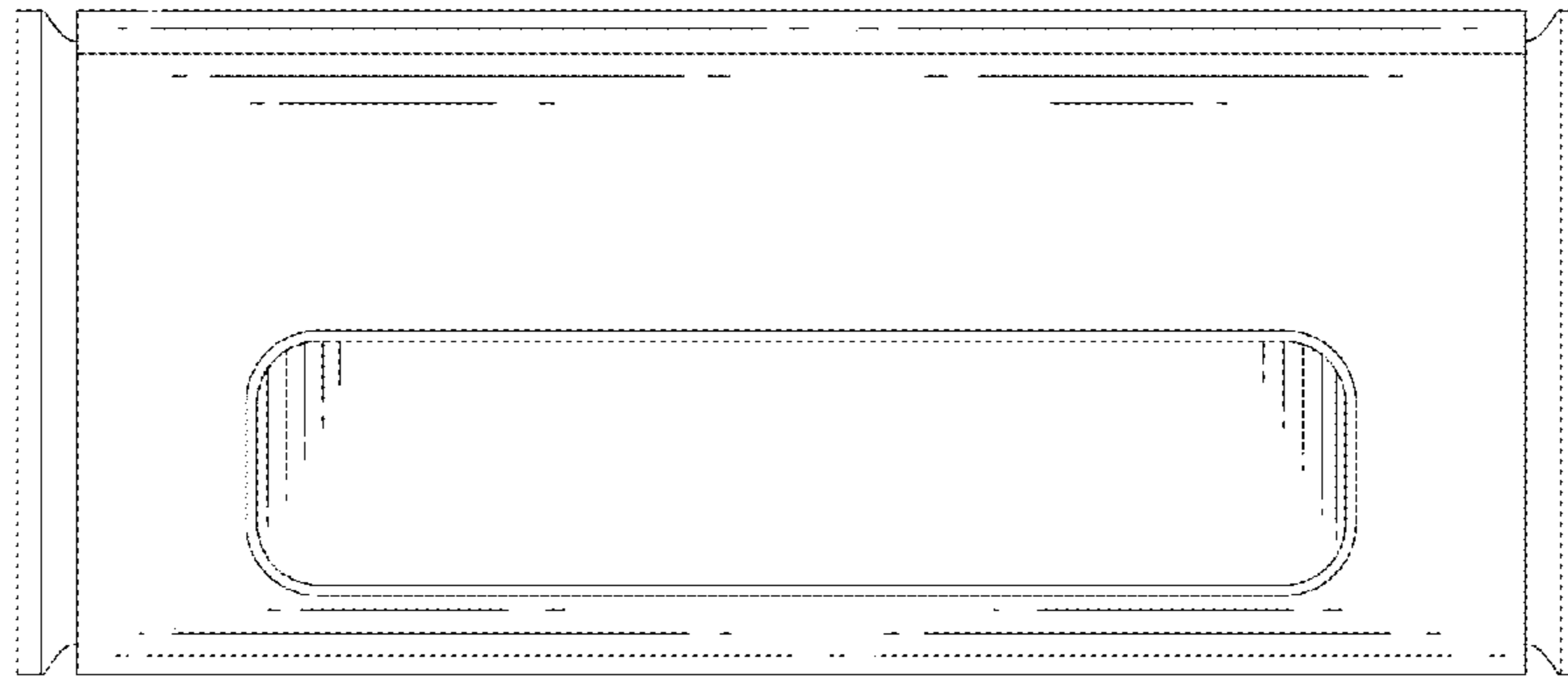


FIG. 3

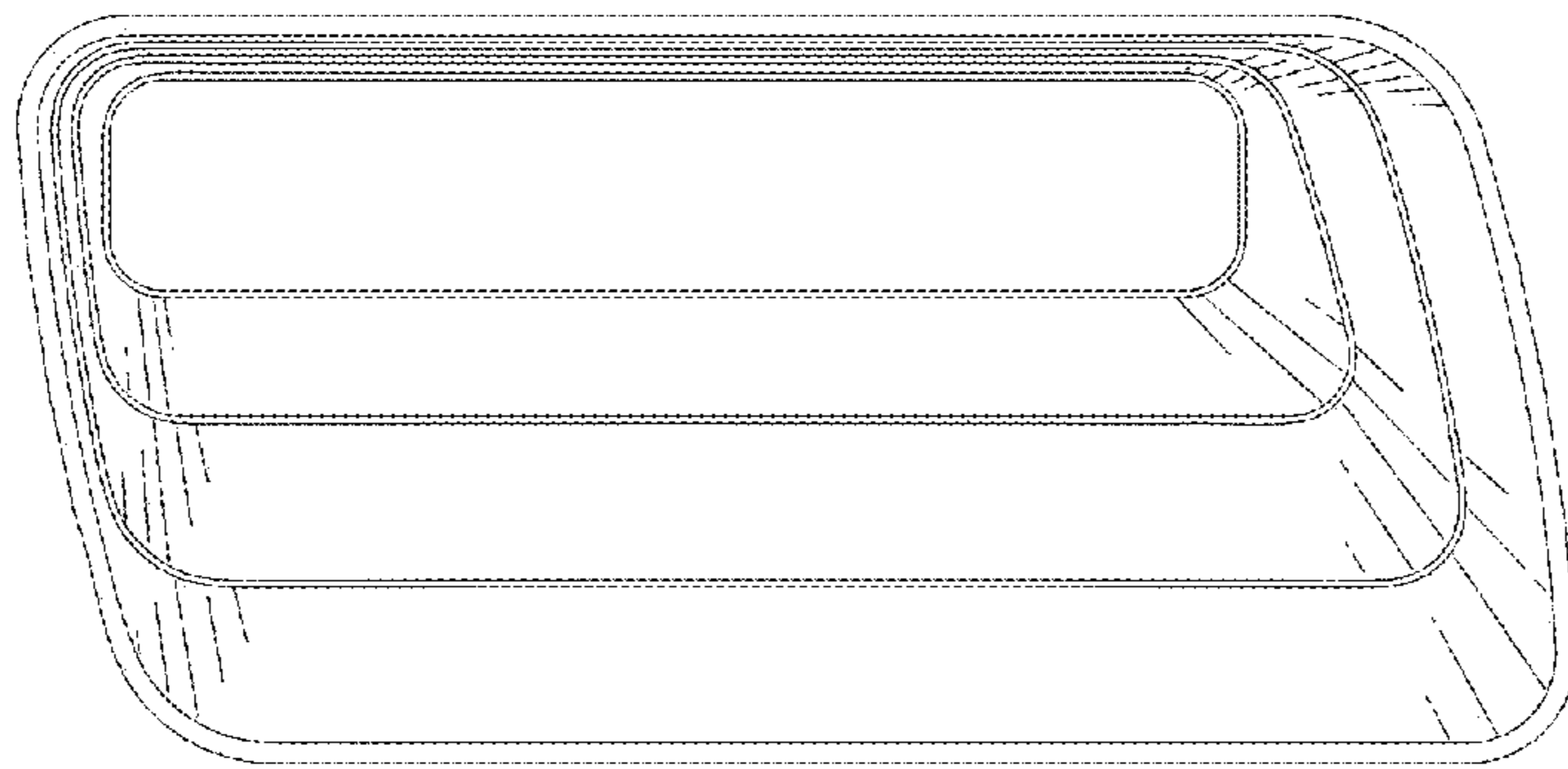


FIG. 4



FIG. 5

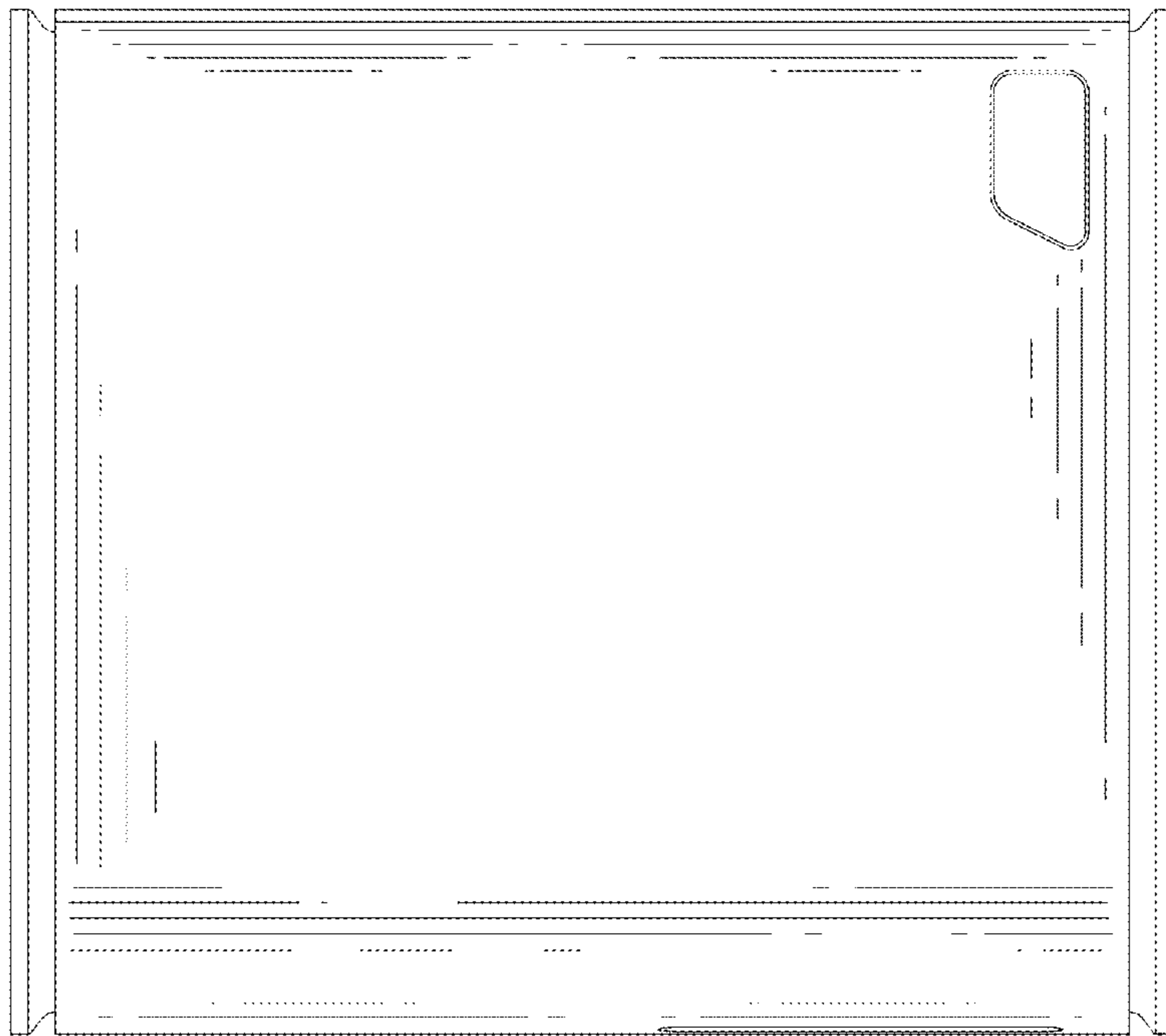


FIG. 6

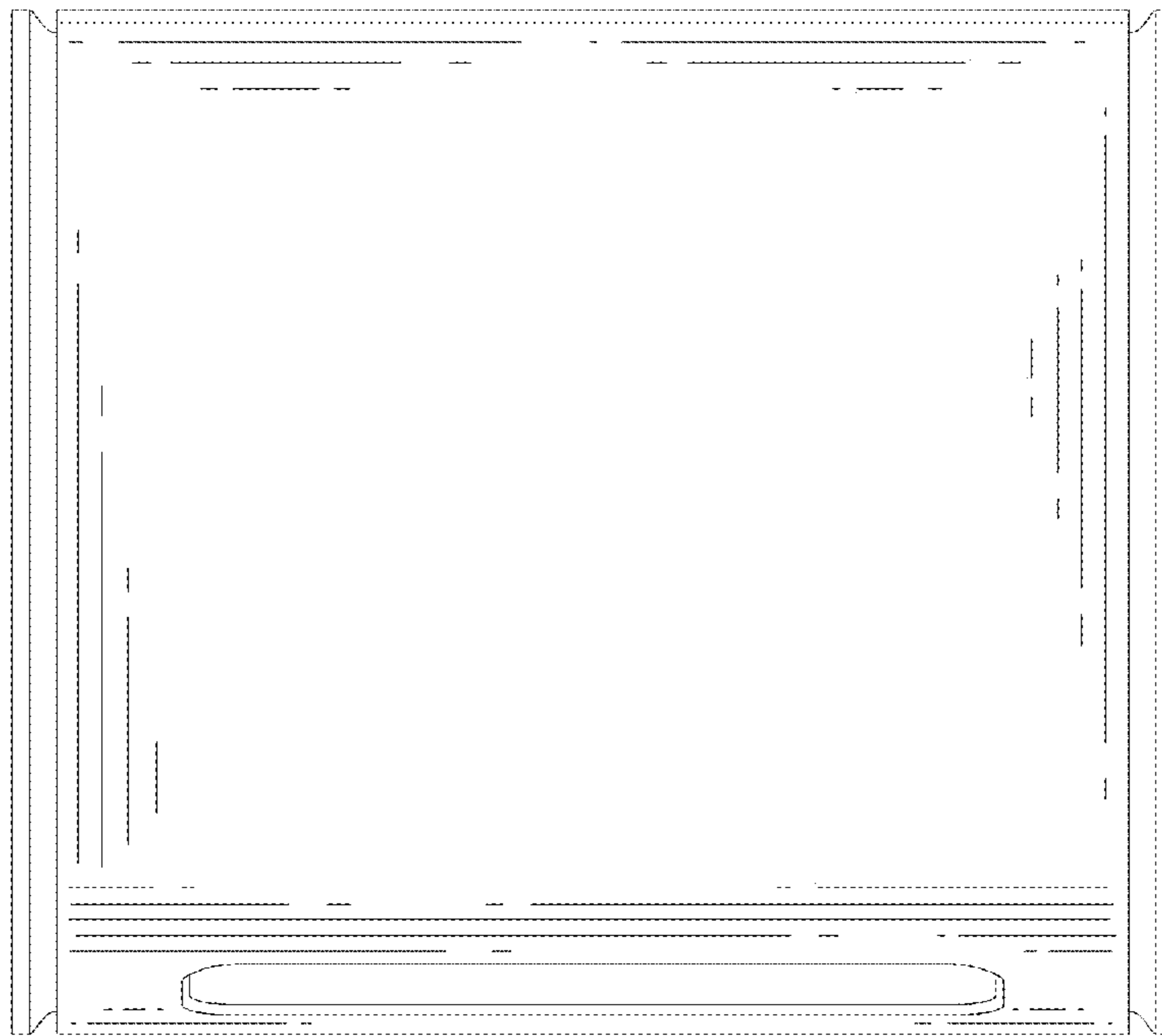


FIG. 7

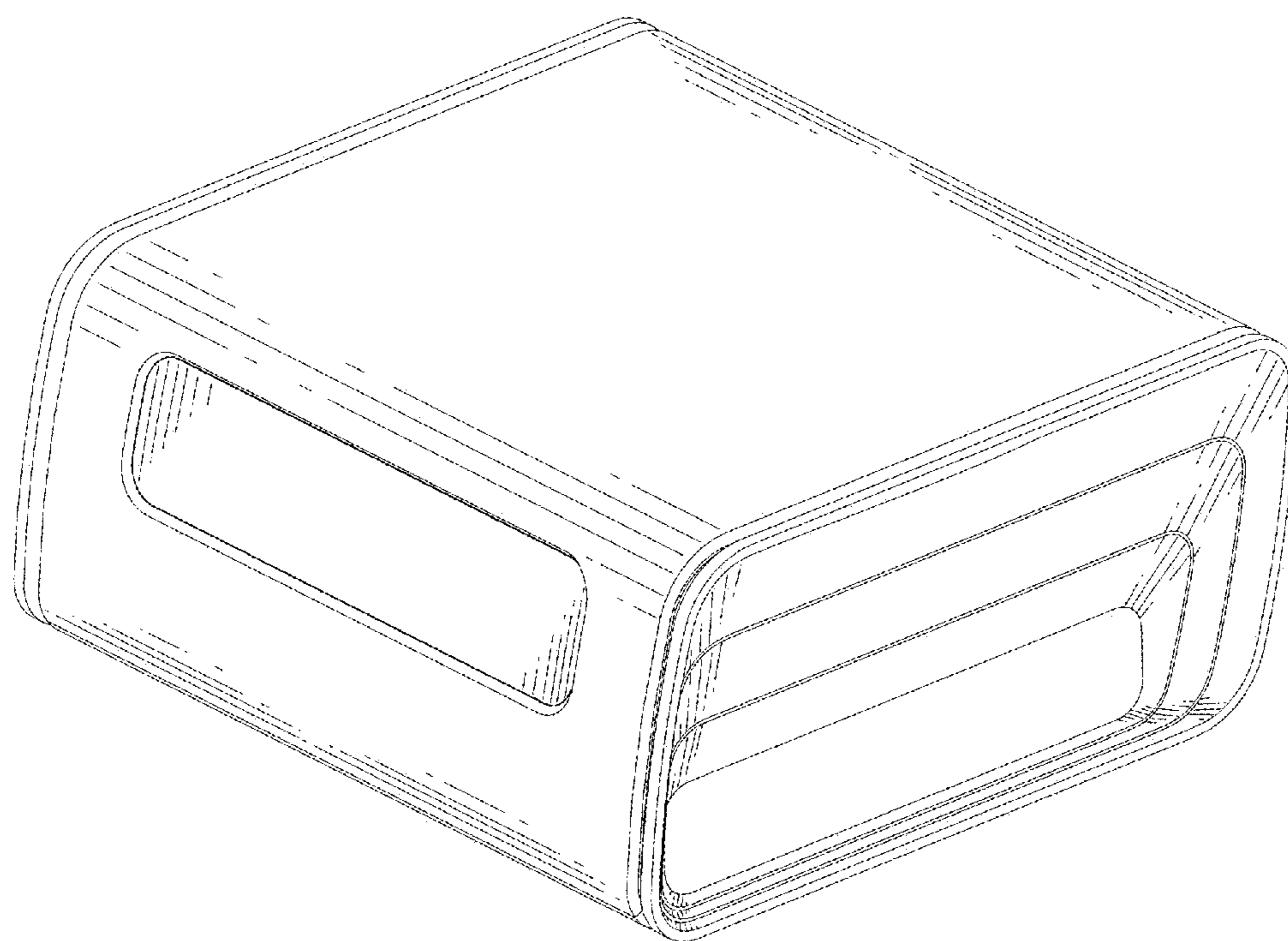


FIG. 8