



US00D680534S

(12) **United States Design Patent**
Tzeng

(10) **Patent No.:** **US D680,534 S**

(45) **Date of Patent:** **** Apr. 23, 2013**

(54) **MULTI-MEDIA PLAYER**

(75) Inventor: **Guan-Hua Tzeng**, New Taipei (TW)

(73) Assignee: **Cheng Uei Precision Industry Co., Ltd.**, New Taipei (TW)

(**) Term: **14 Years**

(21) Appl. No.: **29/392,463**

(22) Filed: **May 20, 2011**

(51) **LOC (9) Cl.** **14-02**

(52) **U.S. Cl.**
USPC **D14/358**

(58) **Field of Classification Search** D14/300–302,
D14/314, 348–370, 383–385, 435, 496, 125,
D14/135, 155, 203.1, 203.3, 240–242, 299;
D3/273; D9/432; D10/65, 75, 78; D13/103,
D13/119, 162, 184, 199;
361/679.31, 679.33–679.45; 312/223.2

See application file for complete search history.

(56) **References Cited**

U.S. PATENT DOCUMENTS

D210,461 S *	3/1968	Kneale	D14/358
D229,519 S *	12/1973	Wood	D27/187
D241,445 S *	9/1976	Pycha	D14/385
D485,830 S *	1/2004	Chen	D14/240

D494,175 S *	8/2004	Kawasaki	D14/384
D502,164 S *	2/2005	Ko et al.	D14/203.5
D508,899 S *	8/2005	Suzuki	D14/125
D520,001 S *	5/2006	Katayama	D14/358
D552,567 S *	10/2007	Francz	D14/125
D581,917 S *	12/2008	Lin	D14/240
D592,592 S *	5/2009	Woon	D13/103
D616,898 S *	6/2010	Miller et al.	D14/496

* cited by examiner

Primary Examiner — Karen E Kearney

(74) *Attorney, Agent, or Firm* — Cheng-Ju Chiang

(57) **CLAIM**

The ornamental design for a multi-media player, as shown and described.

DESCRIPTION

FIG. 1 is a perspective view of a multi-media player showing my new design;

FIG. 2 is a front elevational view thereof;

FIG. 3 is a rear elevational view thereof;

FIG. 4 is a left side elevational view thereof;

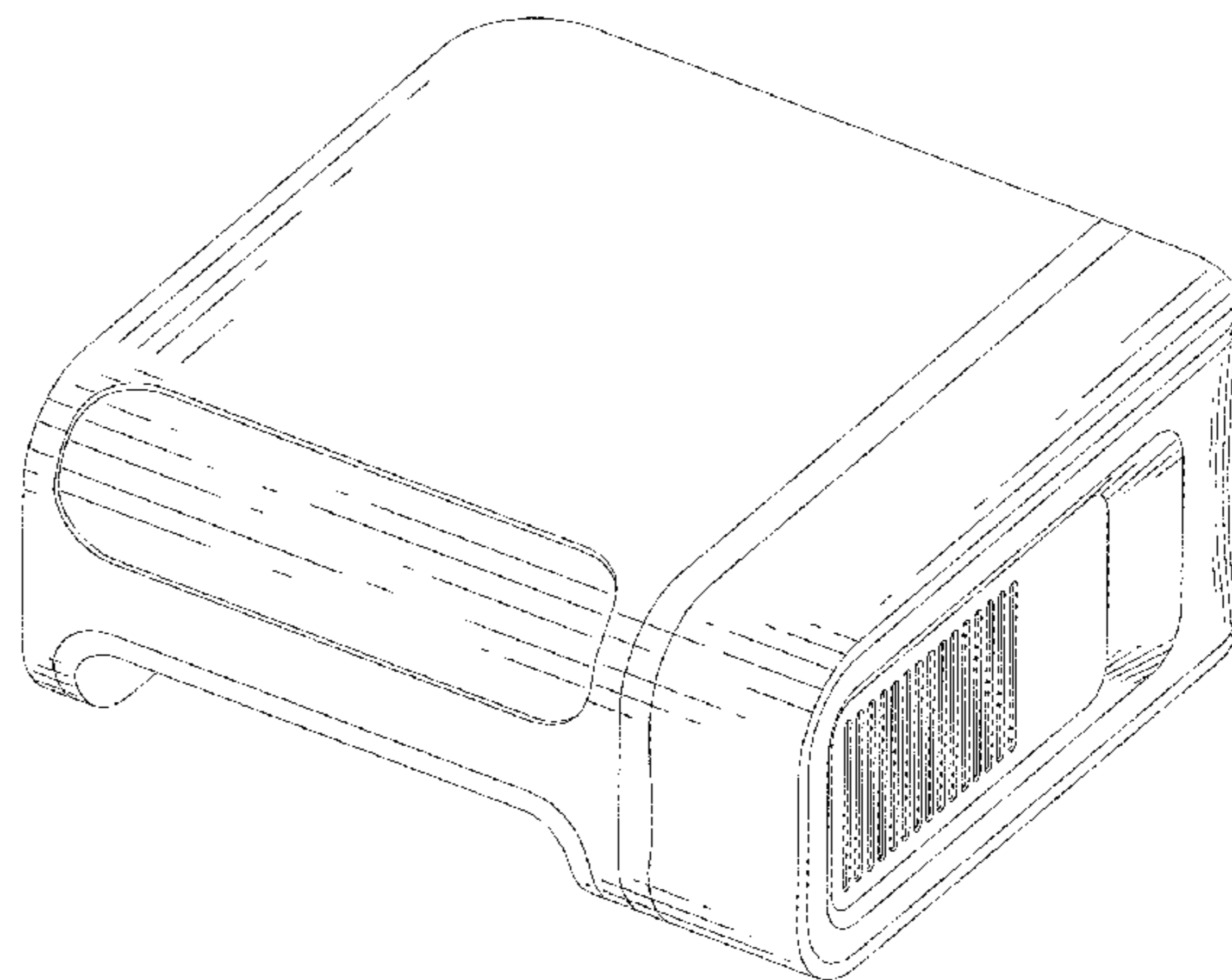
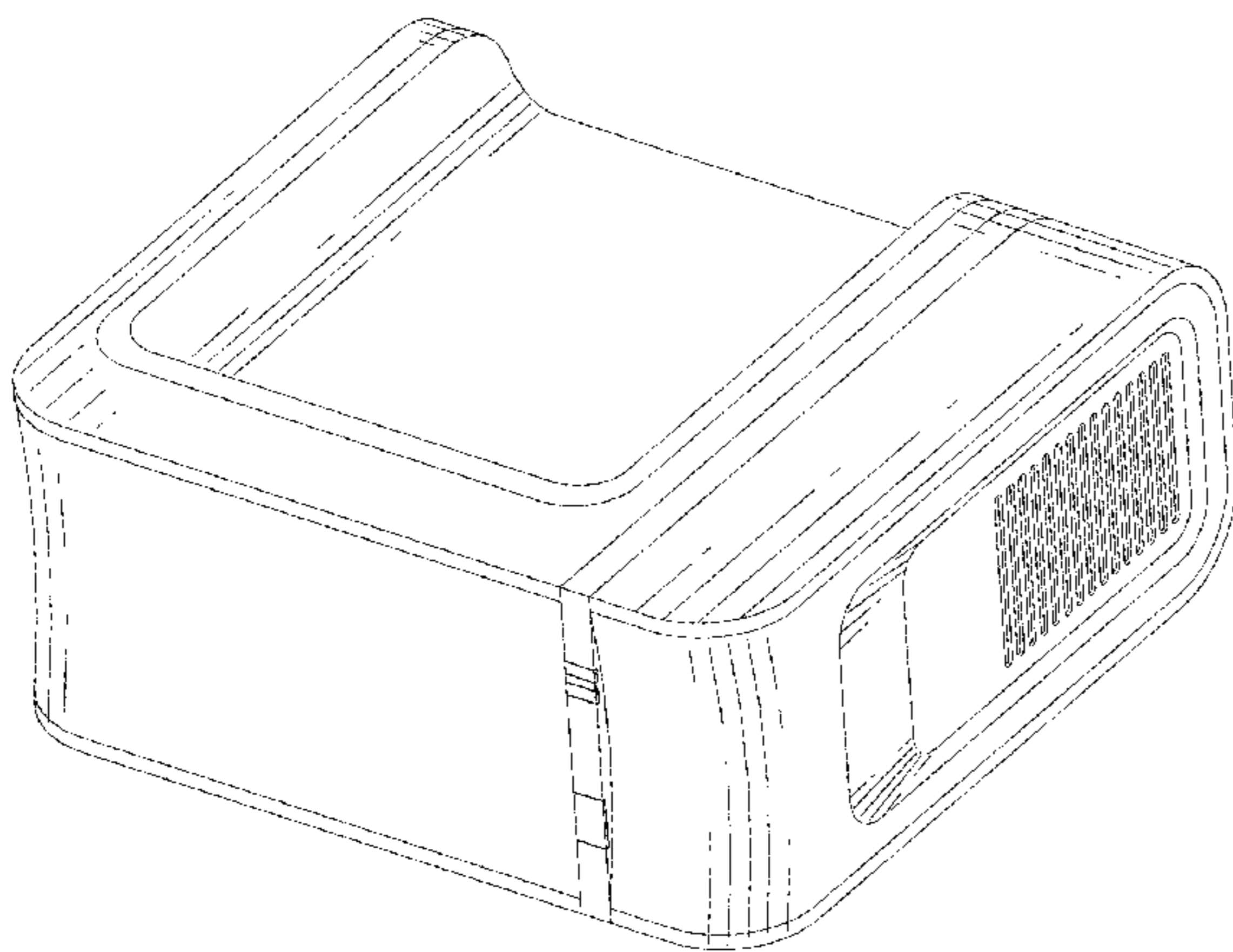
FIG. 5 is a right side elevational view thereof;

FIG. 6 is a top plan view thereof;

FIG. 7 is a bottom plan view thereof; and,

FIG. 8 is another perspective view of the multi-media player showing my new design.

1 Claim, 8 Drawing Sheets



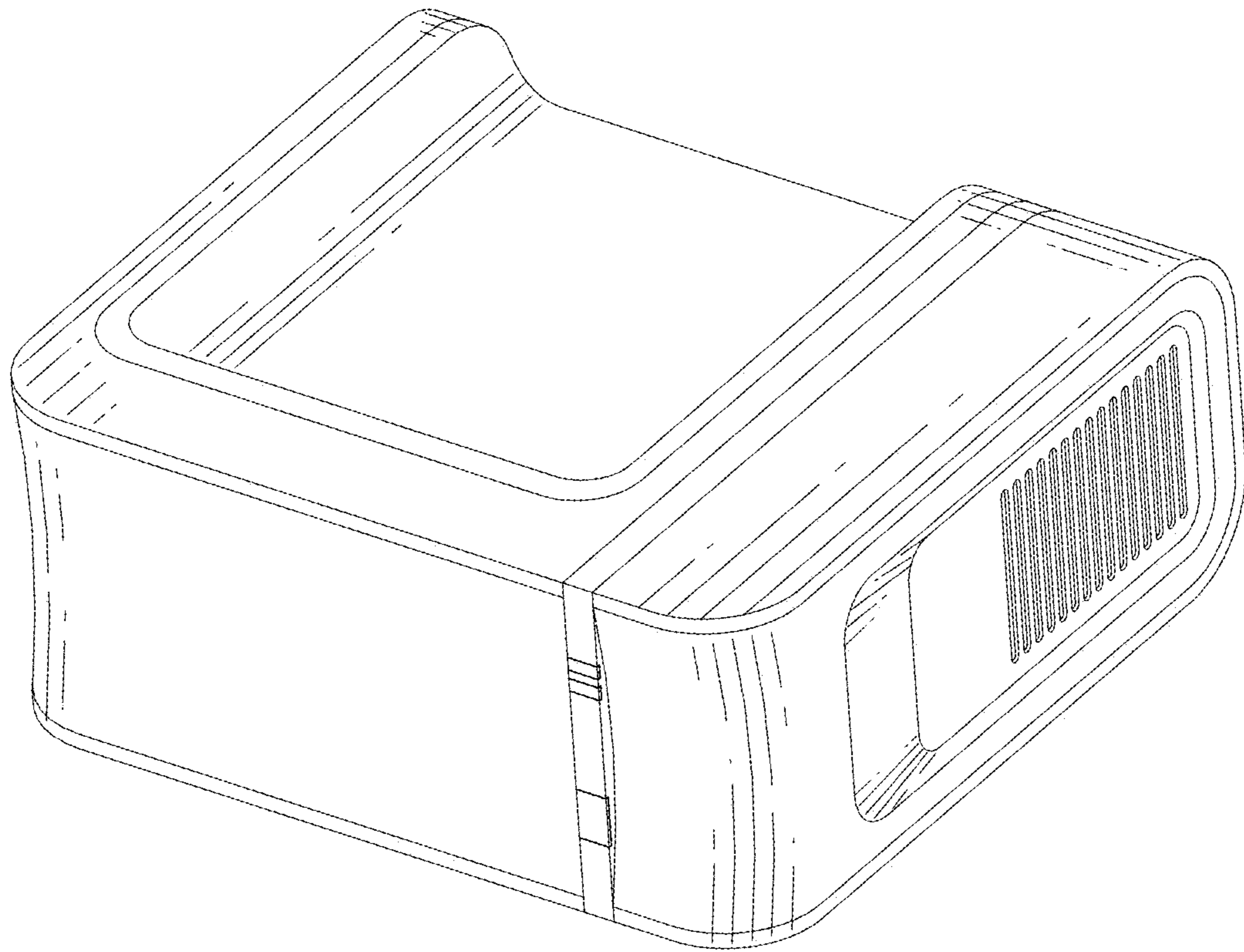


FIG. 1

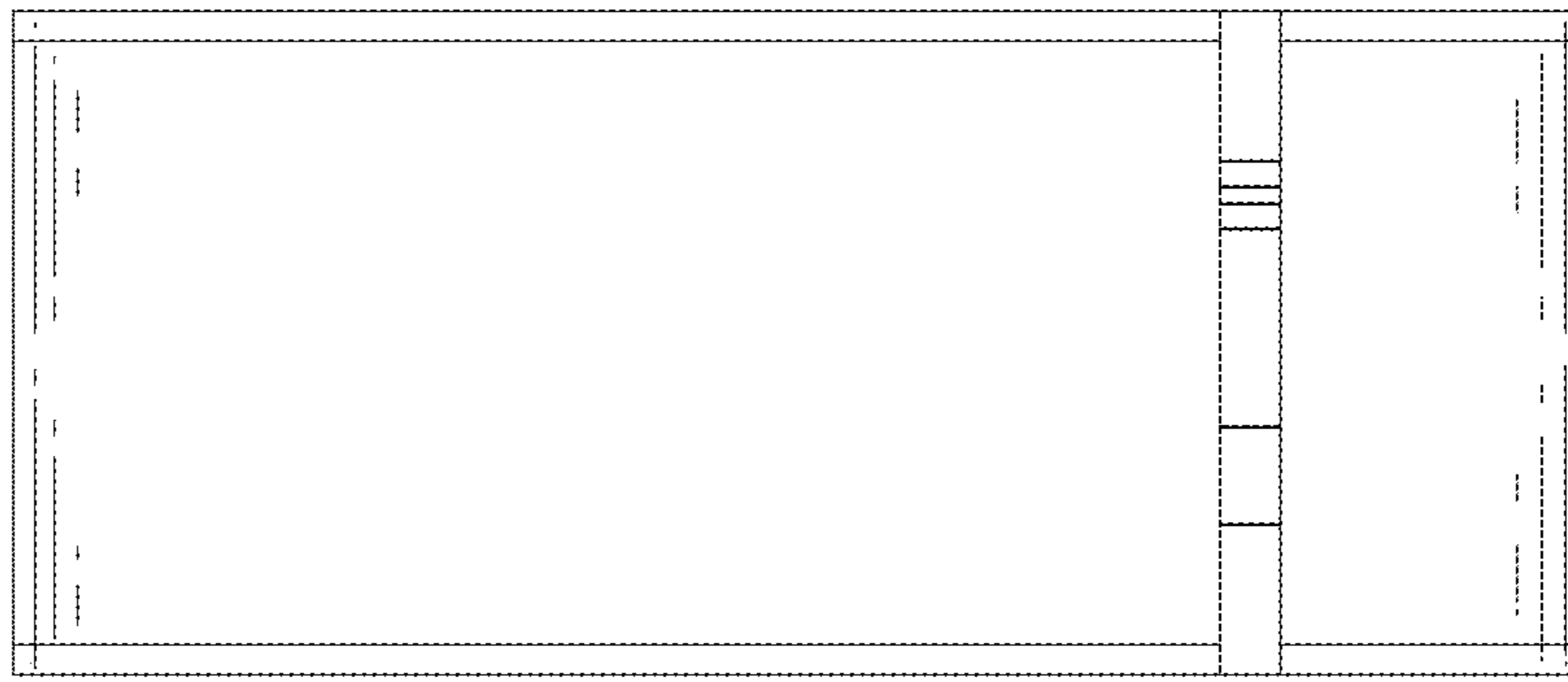


FIG. 2

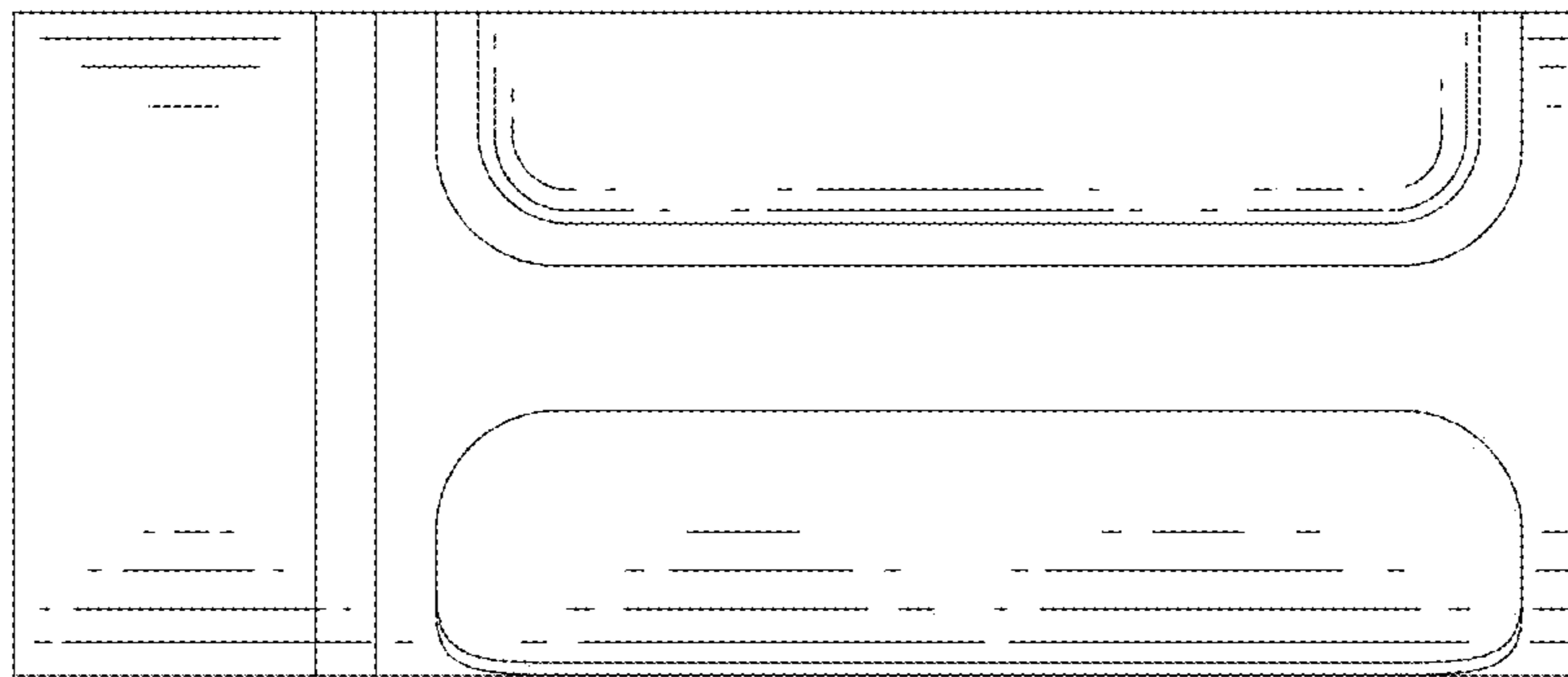


FIG. 3

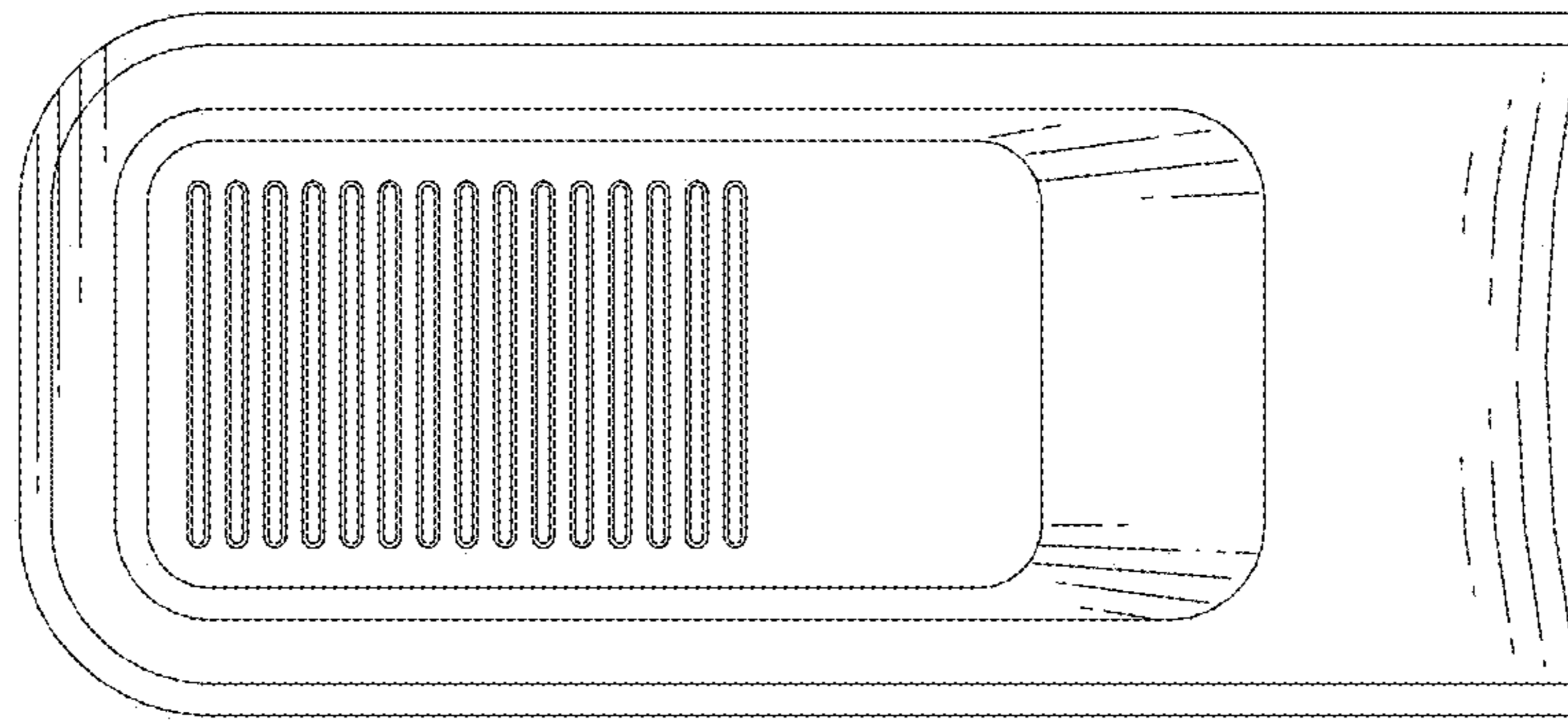


FIG. 4

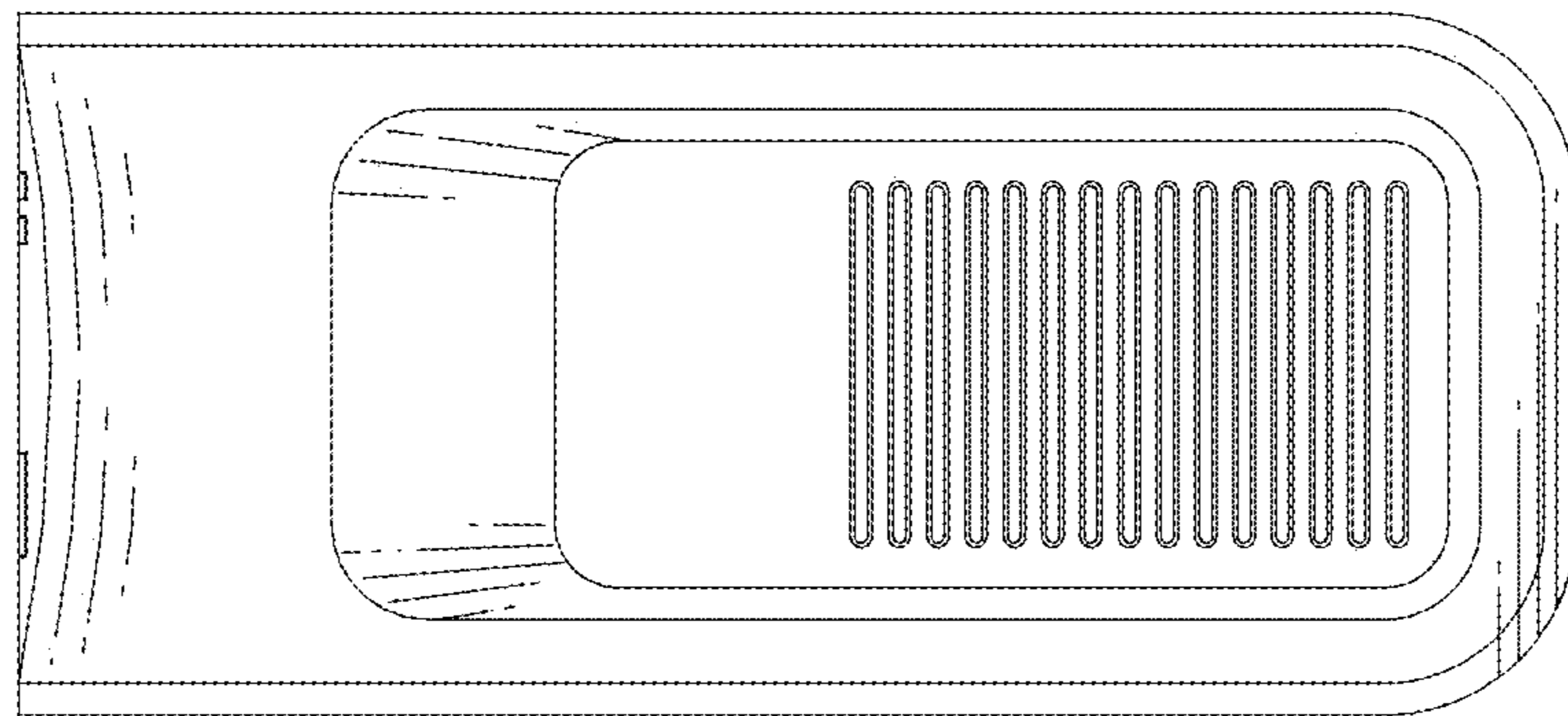


FIG. 5

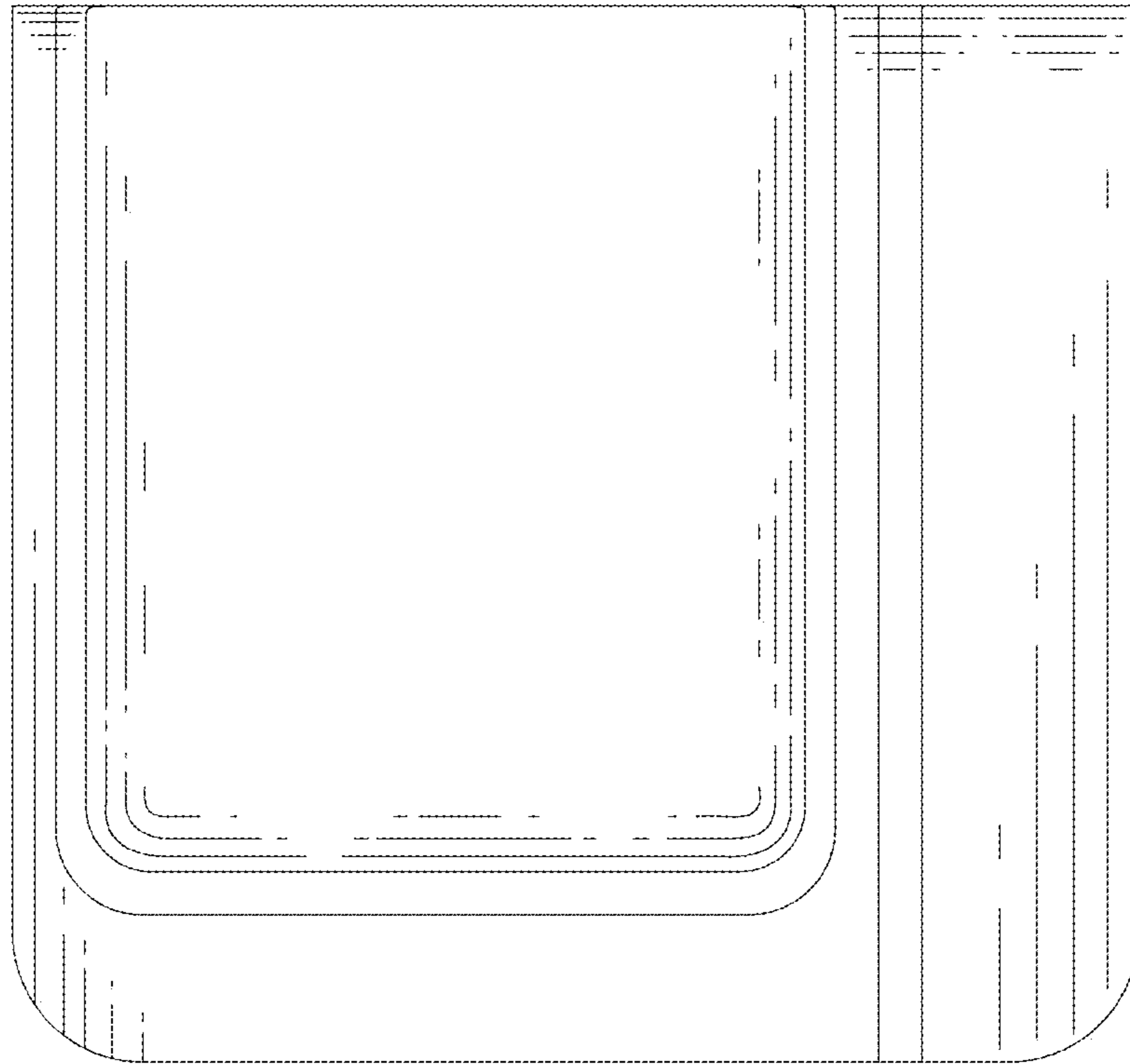


FIG. 6

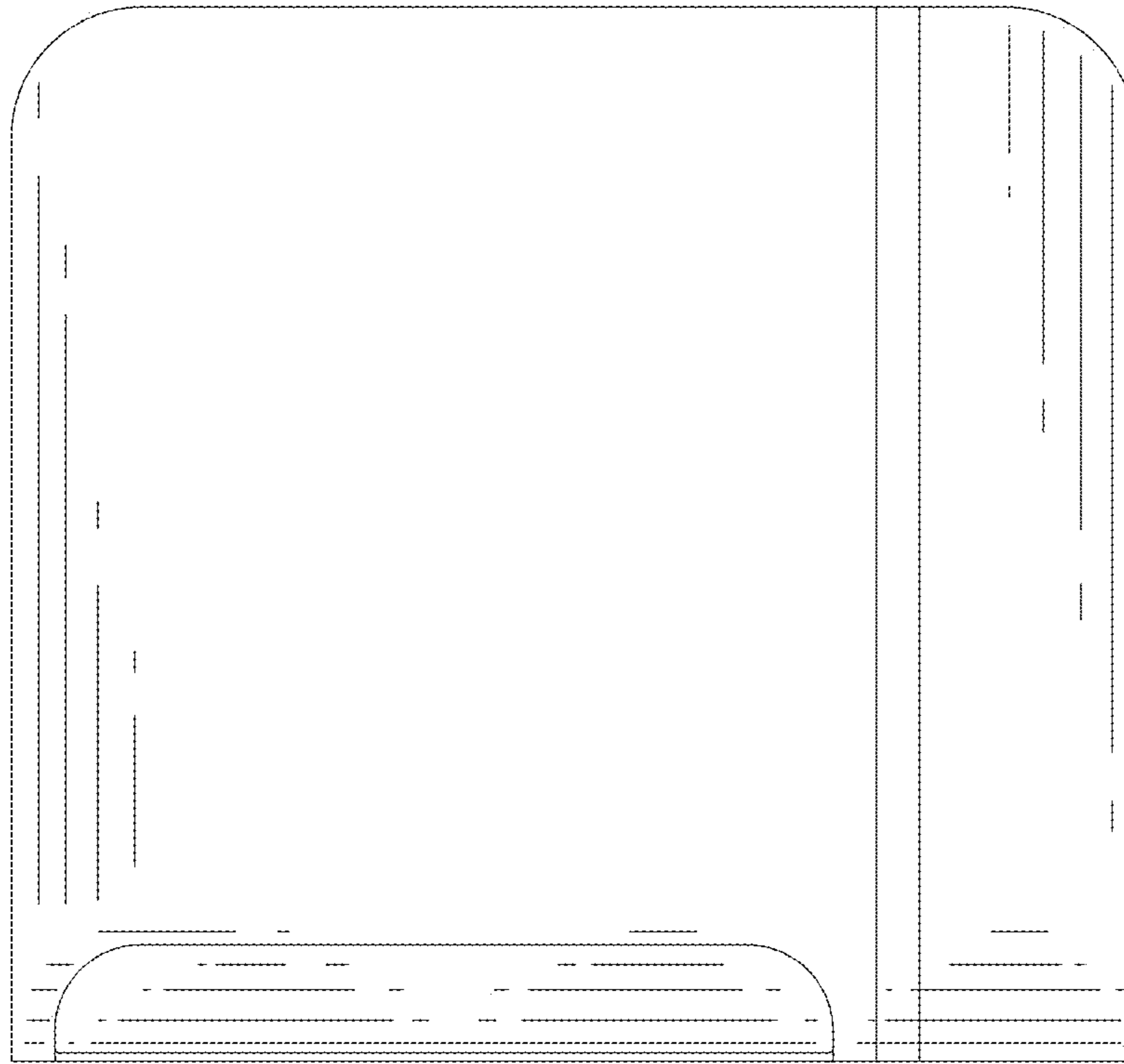


FIG. 7

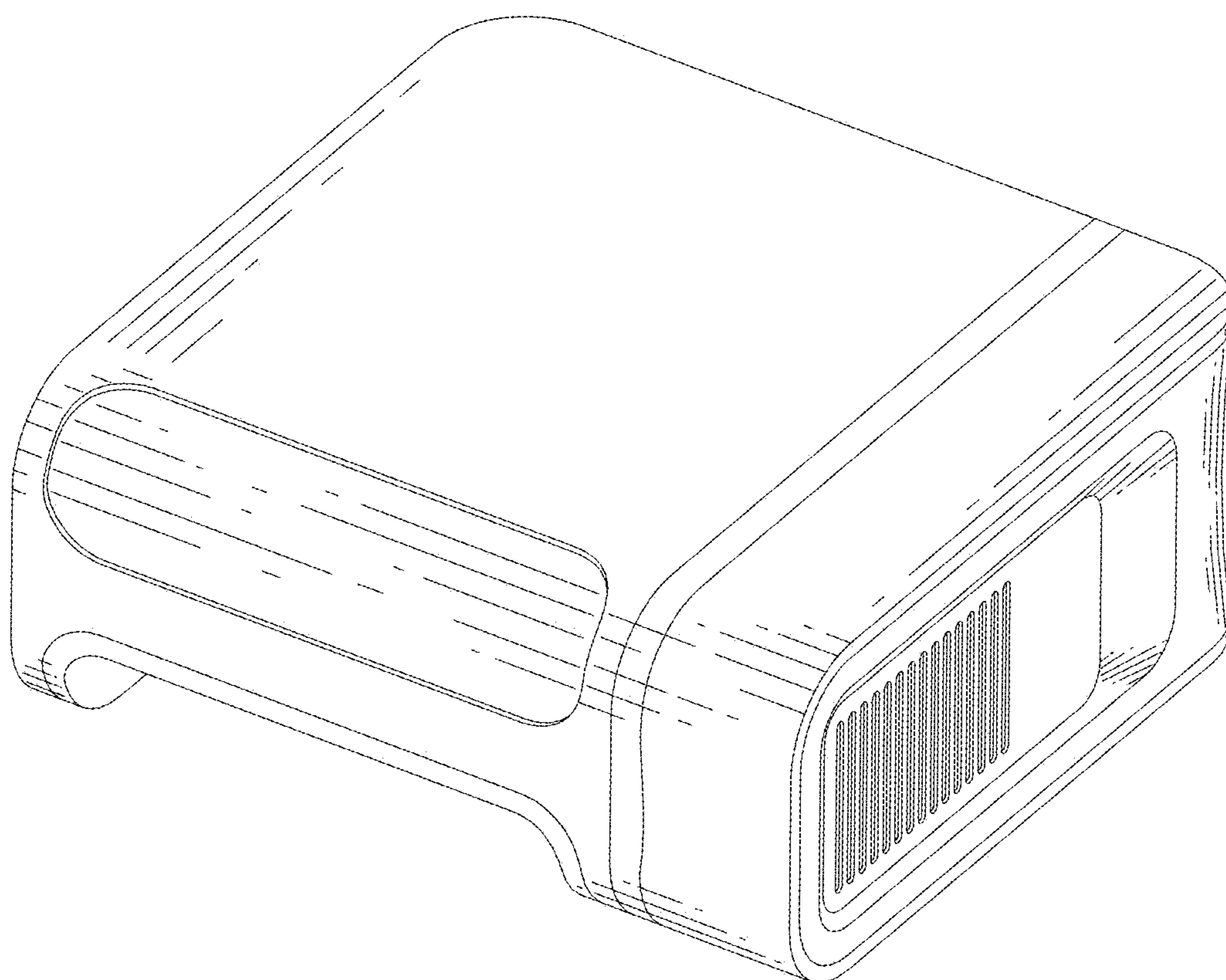


FIG. 8