



US00D680533S

(12) **United States Design Patent**
Song et al.

(10) **Patent No.:** **US D680,533 S**

(45) **Date of Patent:** **** Apr. 23, 2013**

(54) **TABLET COMPUTER**

(75) Inventors: **Jae-Seung Song**, Seoul (KR);
Sang-Won Yoon, Seoul (KR);
Dong-Hoon Sohn, Seoul (KR)

(73) Assignee: **Samsung Electronics Co., Ltd.**,
Suwon-Si (KR)

(**) Term: **14 Years**

(21) Appl. No.: **29/408,009**

(22) Filed: **Dec. 6, 2011**

(30) **Foreign Application Priority Data**

Sep. 27, 2011 (KR) 30-2011-0040014

(51) **LOC (9) Cl.** **14-02**

(52) **U.S. Cl.**
USPC **D14/345**

(58) **Field of Classification Search** D14/341-347,
D14/336, 337, 371, 374, 138, 496; D10/65;
345/173, 901, 104, 133, 156, 168; 348/180,
348/184, 325, 739, 373, 376; 385/88; 710/62;
455/575.3, 575.1; 361/679.27
See application file for complete search history.

(56) **References Cited**

U.S. PATENT DOCUMENTS

D284,084 S 6/1986 Ferrara, Jr.
D306,583 S 3/1990 Krolopp et al.
D333,574 S 3/1993 Ackeret
D337,569 S 7/1993 Kando

(Continued)

FOREIGN PATENT DOCUMENTS

KR 3005985190000 5/2011
KR 3005994750000 5/2011

(Continued)

OTHER PUBLICATIONS

U.S. Appl. No. 29/390,463, Applicant: Kim, et al., filed Apr. 25, 2011
entitled Tablet Computer.

(Continued)

Primary Examiner — Barbara Fox

(74) *Attorney, Agent, or Firm* — Wood, Herron & Evans,
LLP

(57) **CLAIM**

The ornamental design for tablet computer, as shown and
described.

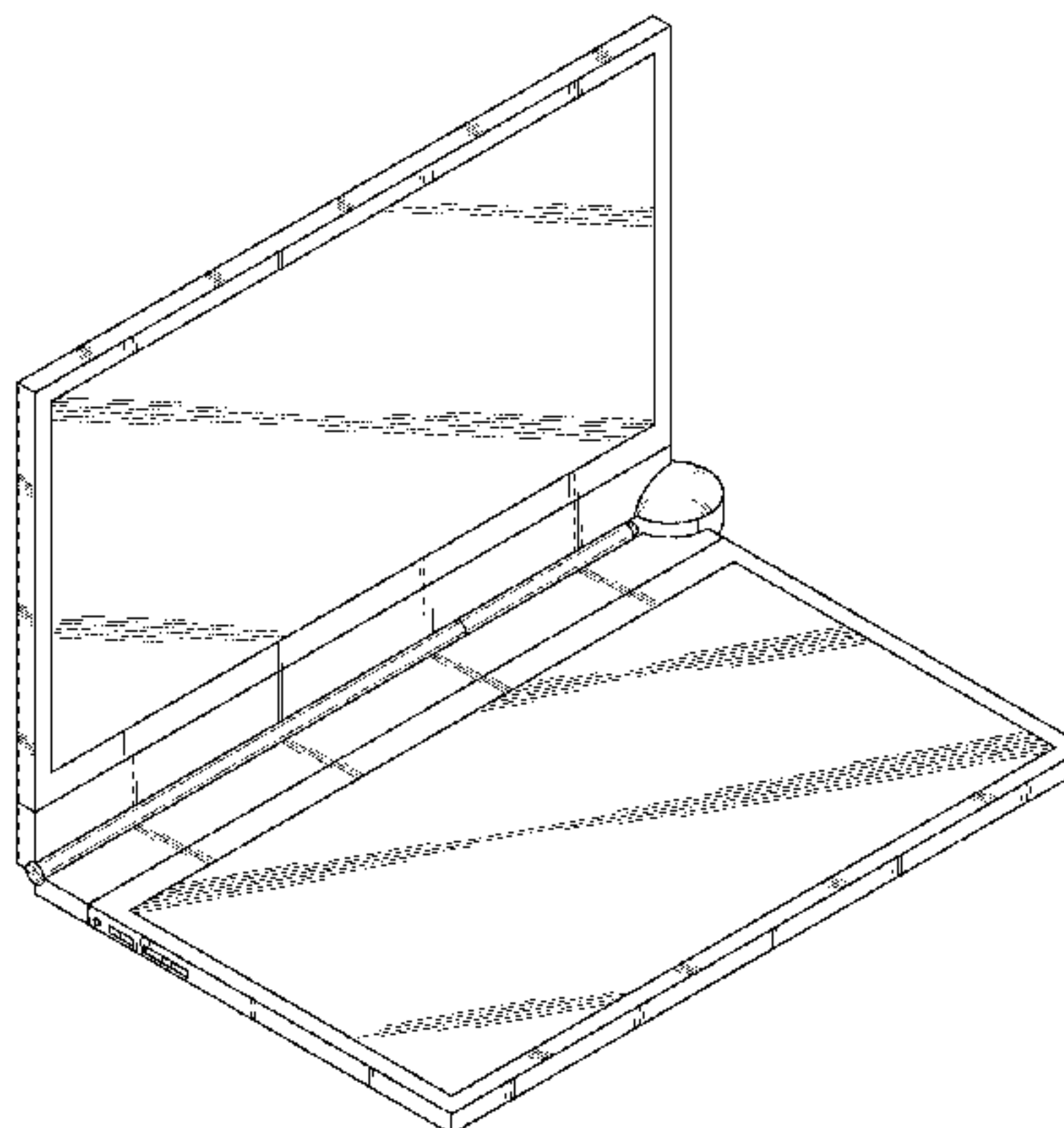
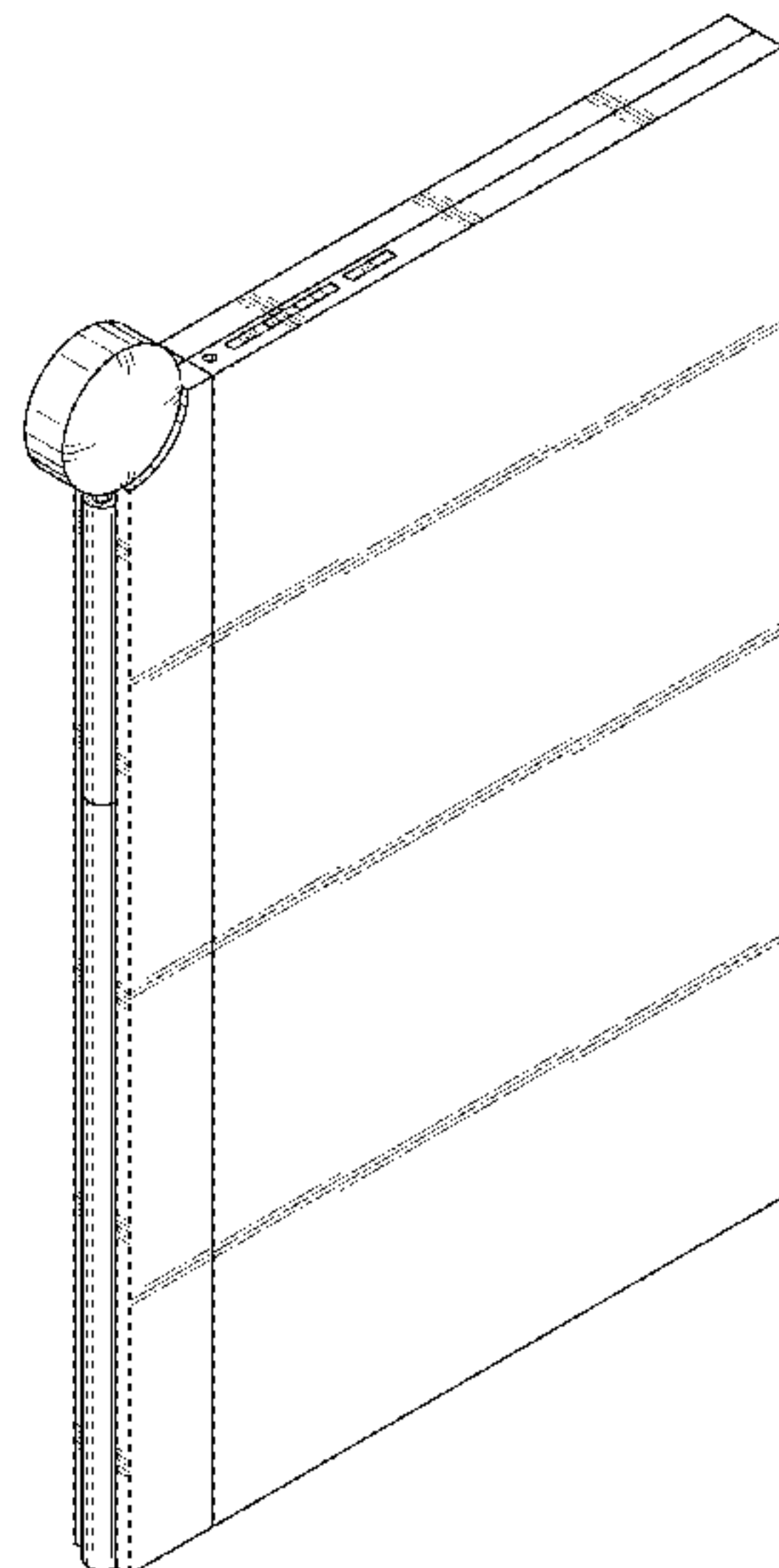
DESCRIPTION

FIG. 1 is a top front perspective view of tablet computer
showing our new design;
FIG. 2 is a front elevational view thereof;
FIG. 3 is a rear elevational view thereof;
FIG. 4 is a left side elevational view thereof;
FIG. 5 is a right side elevational view thereof;
FIG. 6 is a top plan view thereof;
FIG. 7 is a bottom plan view thereof;
FIG. 8 is a reference view thereof when the front and rear
boards are opened;
FIG. 9 is reference view thereof when they are semi-opened;
and,
FIG. 10 is a reference view thereof when they are linked
horizontally by using a rotational hinge, shown on a support
base.

The both display screens in the inner sides of the front and
rear boards of the present design tablet computer are touch-
screen types.

The front and rear boards of the present tablet computer are
linked by both the left hinge and the rotational hinge. Accord-
ingly, the front and rear boards are opened by using the left
hinge (see FIGS. 8 & 9). Also, the front and rear boards are
linked horizontally like a TV by using the rotational hinge
(see FIG. 10).

1 Claim, 6 Drawing Sheets



US D680,533 S

Page 2

U.S. PATENT DOCUMENTS

D499,704 S * 12/2004 Song D14/127
D500,991 S 1/2005 Niitsu
D504,889 S 5/2005 Andre et al.
D517,545 S * 3/2006 Buckel et al. D14/345
D532,791 S 11/2006 Kim
D540,790 S * 4/2007 Kim et al. D14/345
D563,804 S 3/2008 Kimura et al.
D579,930 S 11/2008 Maskatia
D584,738 S 1/2009 Kim et al.
D587,710 S * 3/2009 Han D14/373
D588,126 S * 3/2009 Chiang et al. D14/345
D589,511 S * 3/2009 Han D14/373
D589,958 S * 4/2009 Han D14/373
D590,374 S 4/2009 Madonna et al.
D592,214 S 5/2009 Bradford
D602,014 S 10/2009 Andre et al.
D602,487 S 10/2009 Maskatia
D605,626 S 12/2009 Park
D610,582 S 2/2010 Sugitani et al.
D611,364 S 3/2010 Lenz et al.
D613,510 S 4/2010 Tzeng et al.
D613,951 S 4/2010 Tang et al.
D617,793 S 6/2010 Chiang et al.
D622,270 S 8/2010 Andre et al.
D626,124 S * 10/2010 Chyan et al. D14/341
D627,667 S 11/2010 Lenz et al.
D628,913 S 12/2010 Cheng
D629,799 S 12/2010 Andre et al.
D631,455 S * 1/2011 Kim et al. D14/138 AB
D634,745 S * 3/2011 Park et al. D14/373
D639,806 S * 6/2011 Lee et al. D14/345

D640,255 S 6/2011 Lee et al.
D658,173 S * 4/2012 Kim D14/345
2009/0231292 A1 9/2009 Hsieh et al.

FOREIGN PATENT DOCUMENTS

KR 3006004150000 6/2011
KR 3006004300000 6/2011
KR 3006046440000 7/2011

OTHER PUBLICATIONS

U.S. Appl. No. 29/390,464, Applicant: Kim, et al., filed Apr. 25, 2011, entitled Tablet Computer.
U.S. Appl. No. 29/390,462, Applicant Kim et al, filed Apr. 25, 2011, entitled Tablet Computer.
U.S. Appl. No. 29/405,537, Applicant Kim et al, filed Nov. 3, 2011, entitled Tablet Computer.
U.S. Appl. No. 29/407,981, Applicant Chun et al, filed Dec. 6, 2011, entitled Cradle for Tablet Computer.
U.S. Appl. No. 29/407,975, Applicant Chun et al, filed Dec. 6, 2011, entitled Tablet Computer.
U.S. Appl. No. 29/407,989, Applicant Lee et al, filed Dec. 6, 2011, entitled Cradle for Tablet Computer.
U.S. Appl. No. 29/408,017, Applicant Song et al, filed Dec. 6, 2011, entitled Tablet Computer.
U.S. Appl. No. 29/407,982, Applicant Lee et al, filed Dec. 6, 2011, entitled Tablet Computer.
U.S. Appl. No. 29/407,984, Applicant Jeon et al, filed Dec. 6, 2011, entitled Tablet Computer.

* cited by examiner

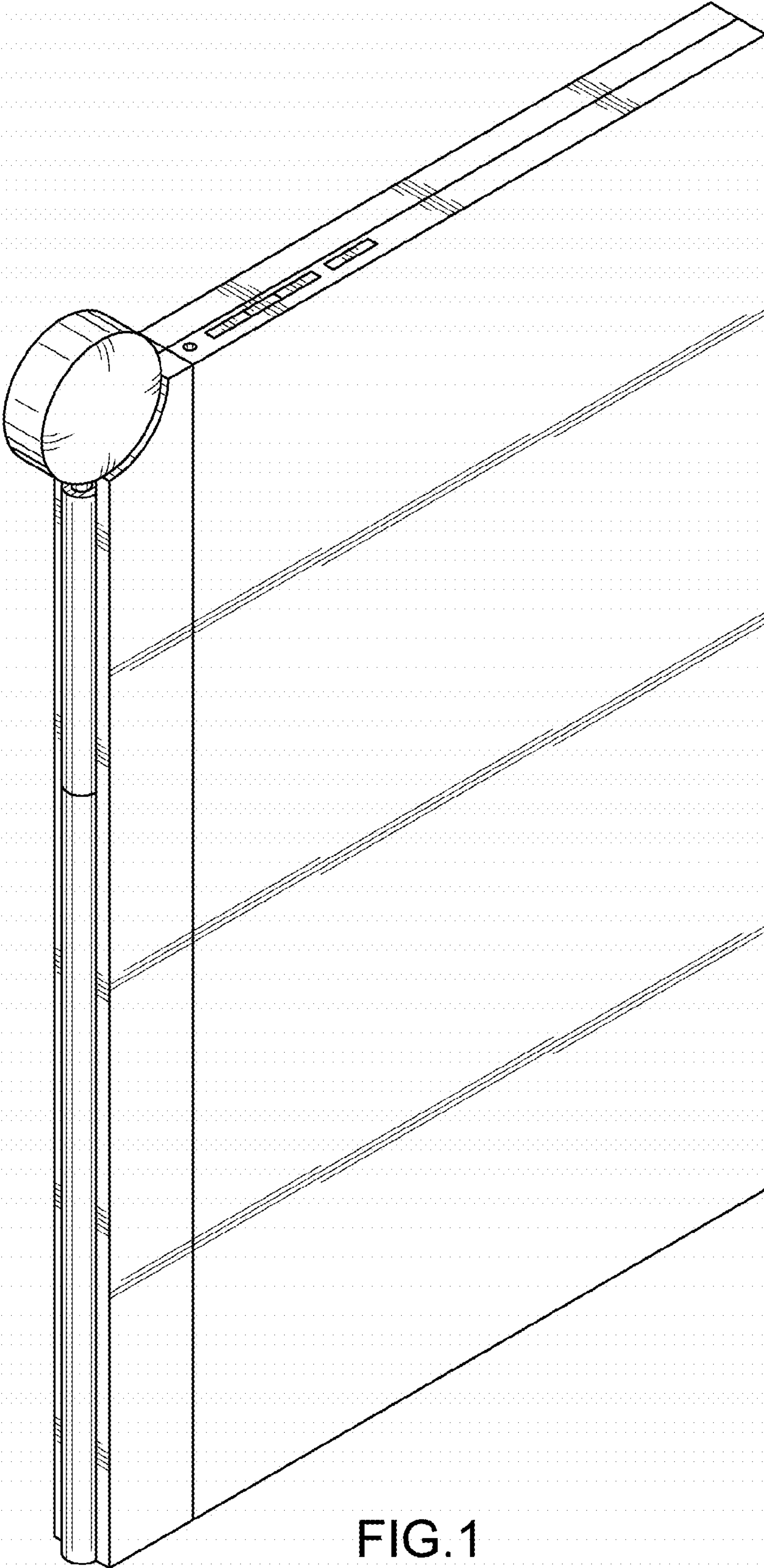


FIG. 1

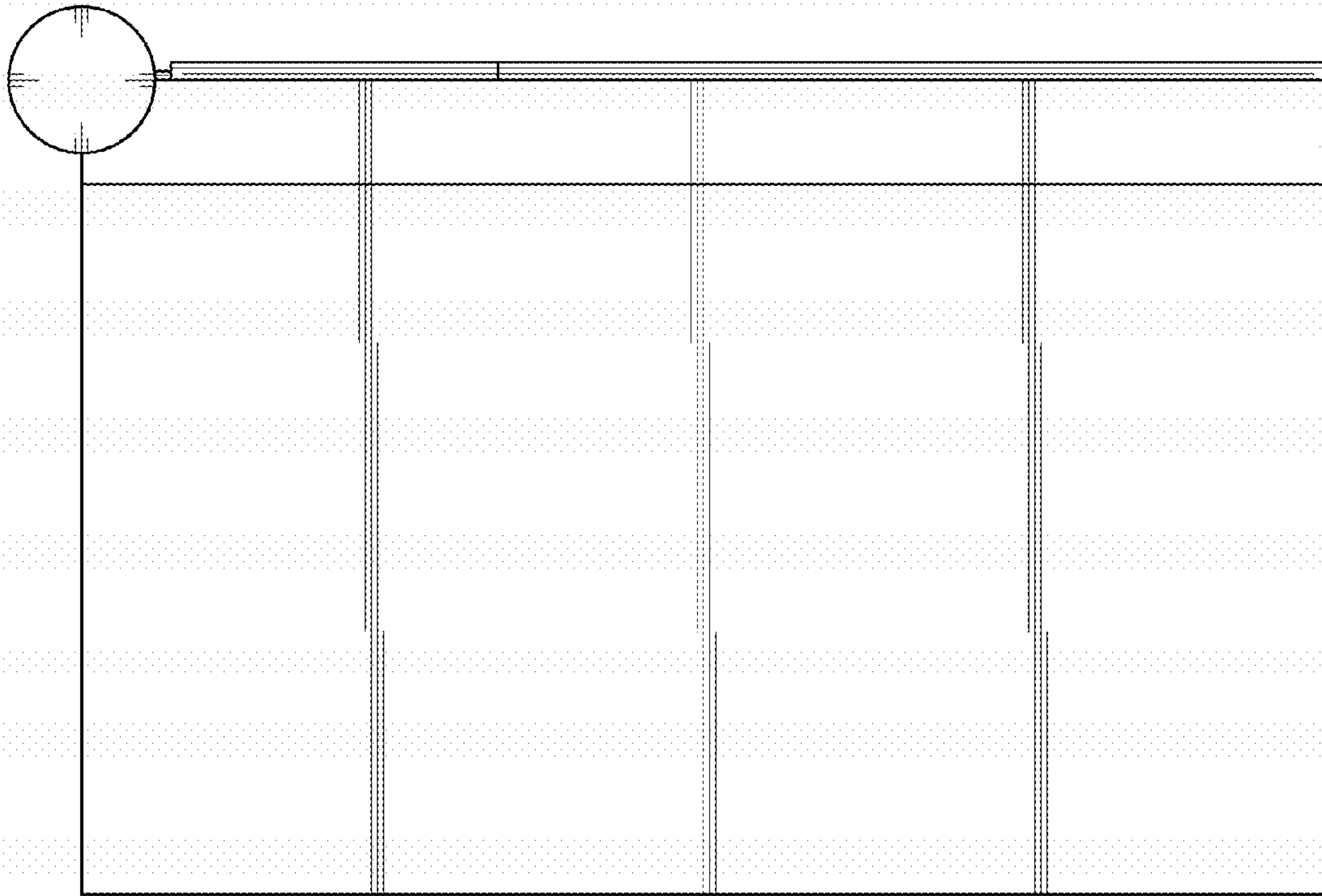


FIG. 3

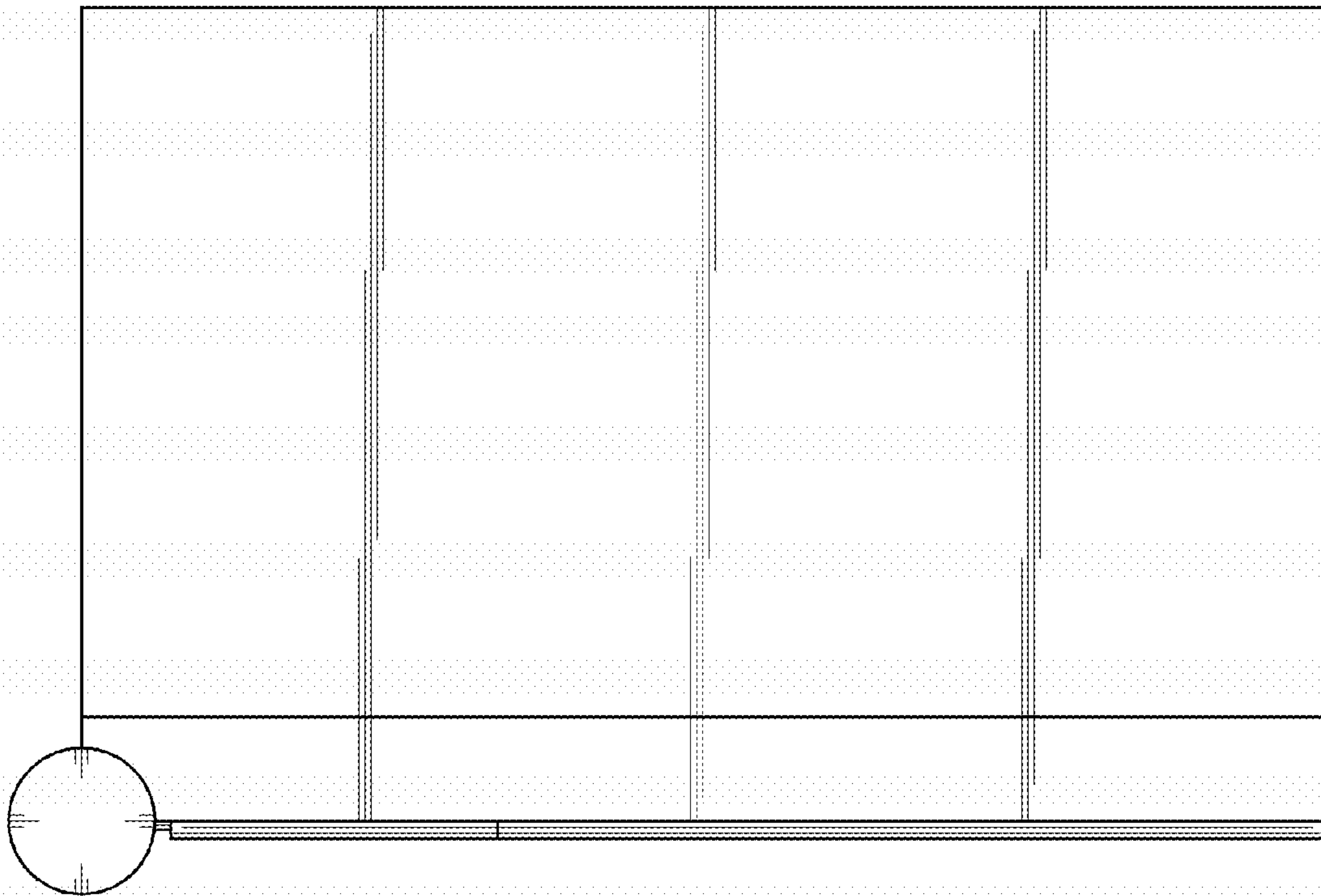


FIG. 2

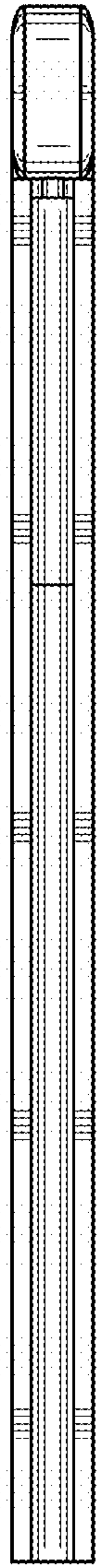


FIG. 4

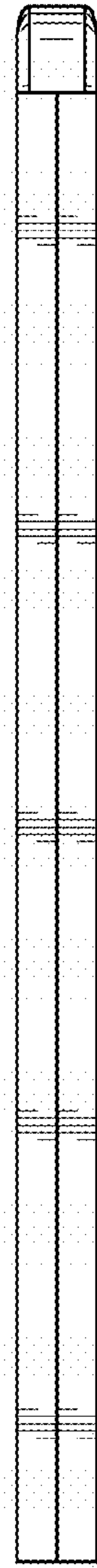


FIG. 5

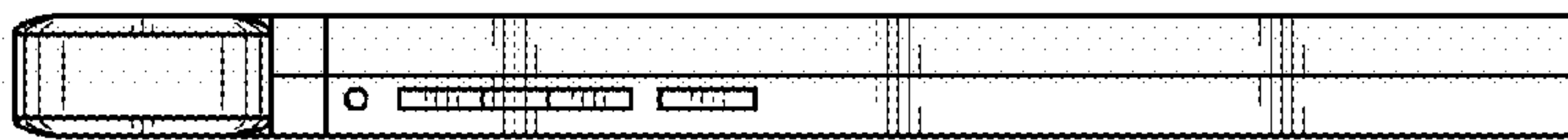


FIG. 6

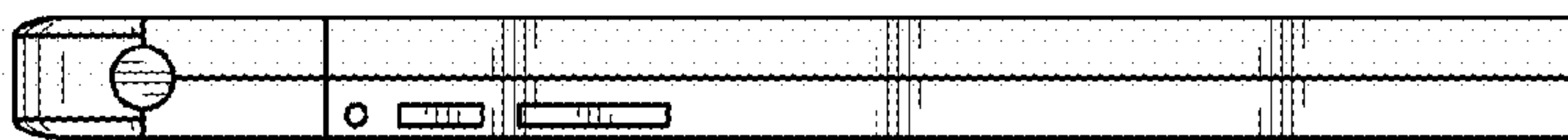


FIG. 7

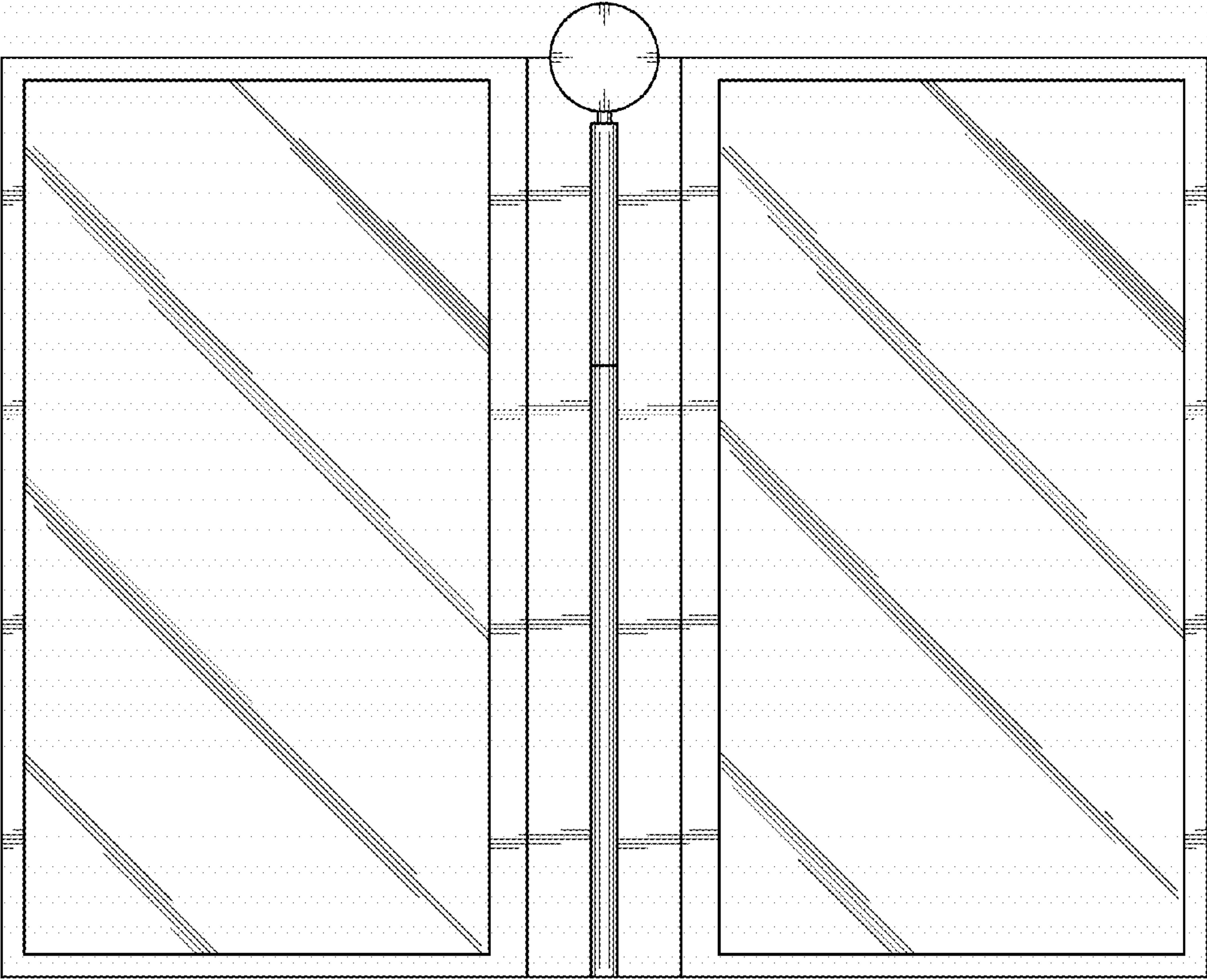


FIG.8

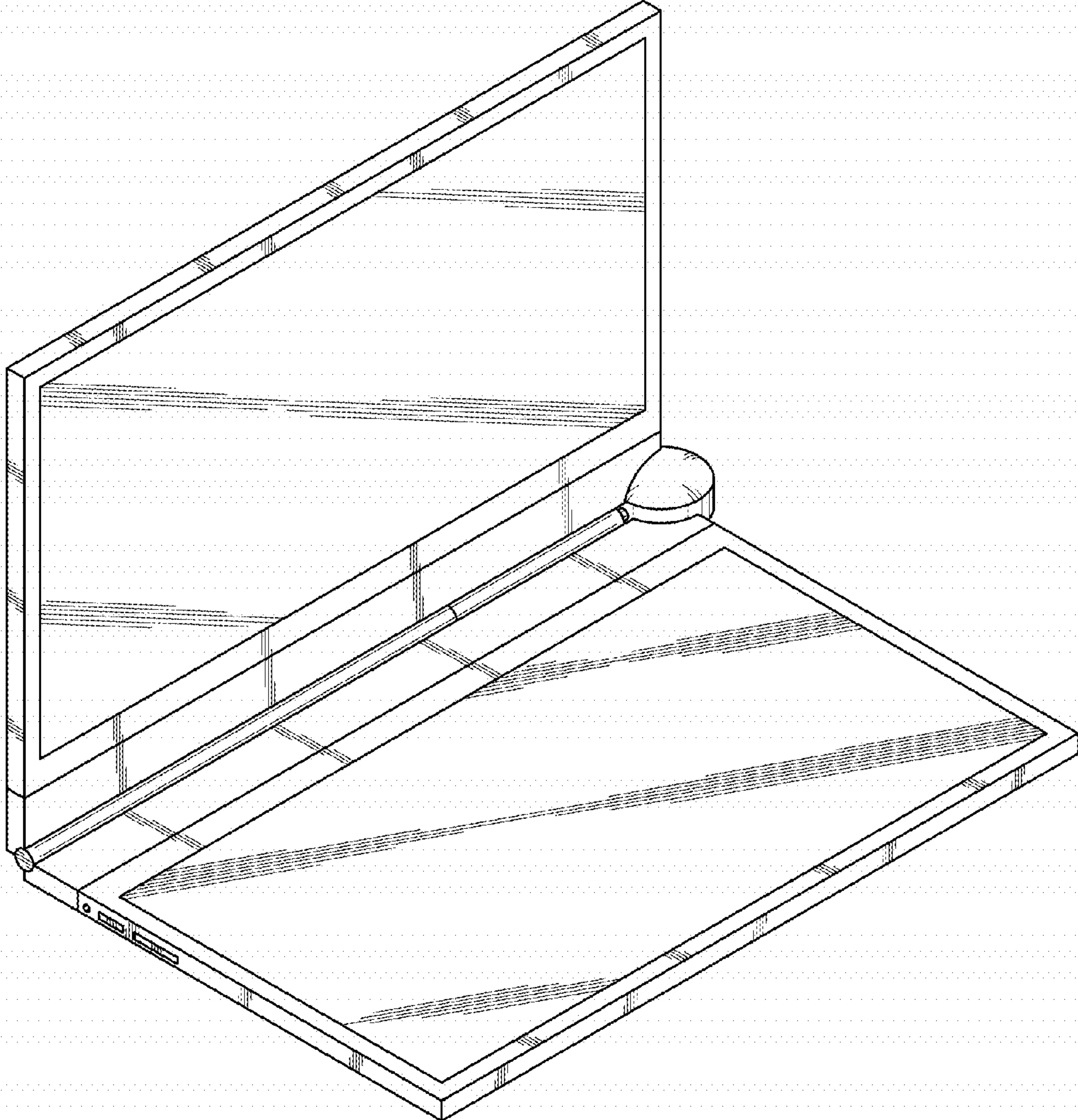


FIG.9

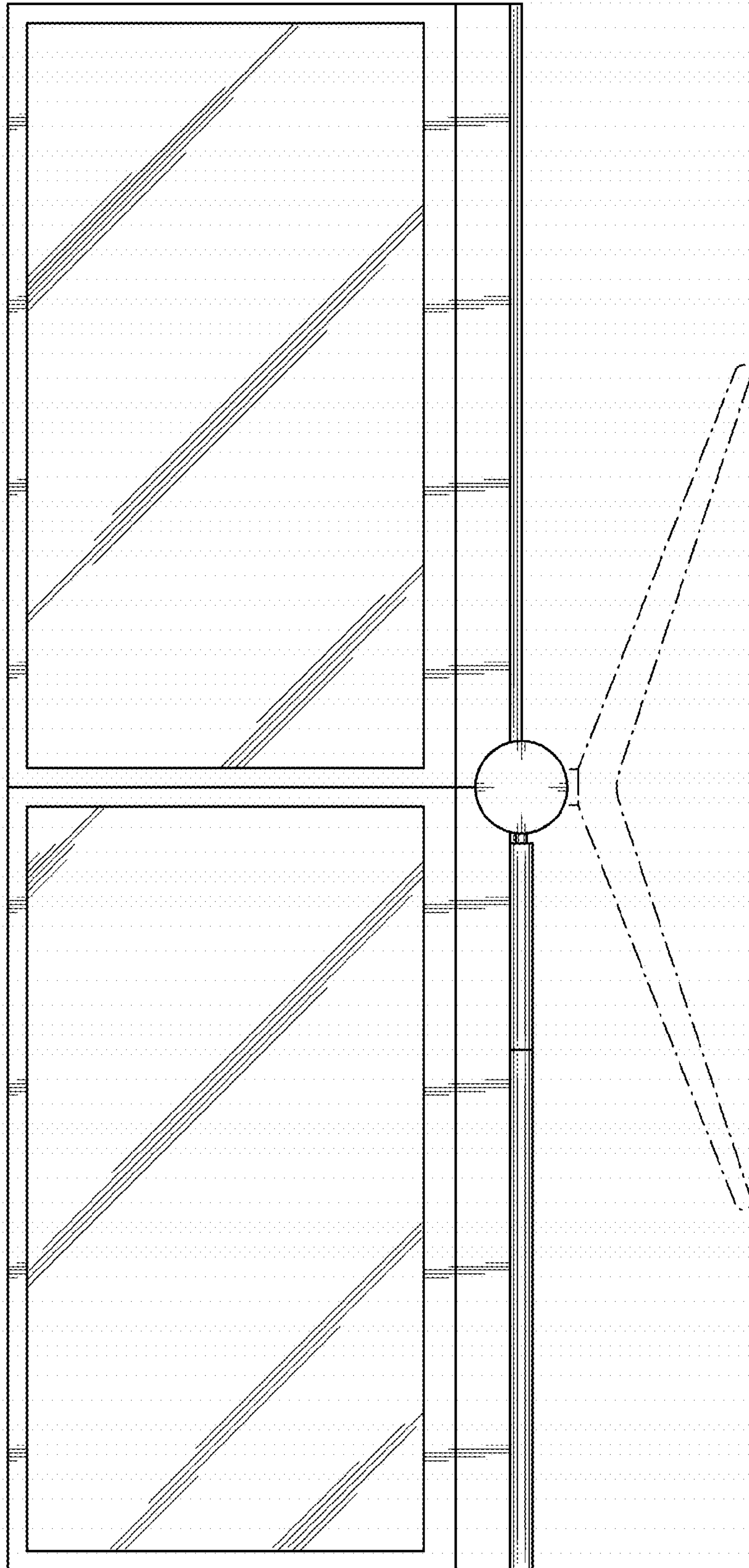


FIG.10