



US00D680532S

(12) **United States Design Patent**
Reeves et al.

(10) **Patent No.:** **US D680,532 S**
(45) **Date of Patent:** **** Apr. 23, 2013**

(54) **DUAL SCREEN ELECTRONIC DEVICE**

(75) Inventors: **Brian Reeves**, Hamilton (CA); **Richard Teltz**, Hamilton (CA)

(73) Assignee: **Z124**, Grand Cayman (KY)

(**) Term: **14 Years**

(21) Appl. No.: **29/406,770**

(22) Filed: **Nov. 18, 2011**

(51) **LOC (9) Cl.** **14-02**

(52) **U.S. Cl.**
USPC **D14/345**

(58) **Field of Classification Search** D14/341-347,
D14/336, 337, 371, 374, 138, 496; D10/65;
345/173, 901, 104, 133, 156, 168; 348/180,
348/184, 325, 739, 373, 376; 385/88; 710/62;
455/575.3, 575.1

See application file for complete search history.

(56) **References Cited**

U.S. PATENT DOCUMENTS

| | | | | |
|--------------|---------|---------------|-------|------------|
| D428,004 S * | 7/2000 | Colvin | | D14/345 |
| D441,025 S * | 4/2001 | Obata | | D14/371 |
| D445,787 S * | 7/2001 | Francis | | D14/345 |
| D493,463 S * | 7/2004 | Takahashi | | D14/373 |
| D499,095 S * | 11/2004 | Balarezo | | D14/345 |
| D585,444 S * | 1/2009 | Verschuur | | D14/345 |
| D587,704 S * | 3/2009 | McCoy | | D14/345 |
| D618,683 S * | 6/2010 | Wilson et al. | | D14/371 |
| D624,517 S * | 9/2010 | Lee et al. | | D14/138 AB |
| D626,124 S * | 10/2010 | Chyan et al. | | D14/341 |

| | | | | |
|-------------------|--------|------------|-------|------------|
| D631,455 S * | 1/2011 | Kim et al. | | D14/138 AB |
| D639,806 S * | 6/2011 | Lee et al. | | D14/345 |
| 2009/0231233 A1 * | 9/2009 | Liberatore | | 345/1.3 |

OTHER PUBLICATIONS

Prototype dual-screened 2-in-1 Android smartpad, posted Jun. 23, 2011 [online], [retrieved Nov. 29, 2011]. Retrieved from Internet, <http://www.engage.com>.*

* cited by examiner

Primary Examiner — Barbara Fox

(74) *Attorney, Agent, or Firm* — Sheridan Ross P.C.

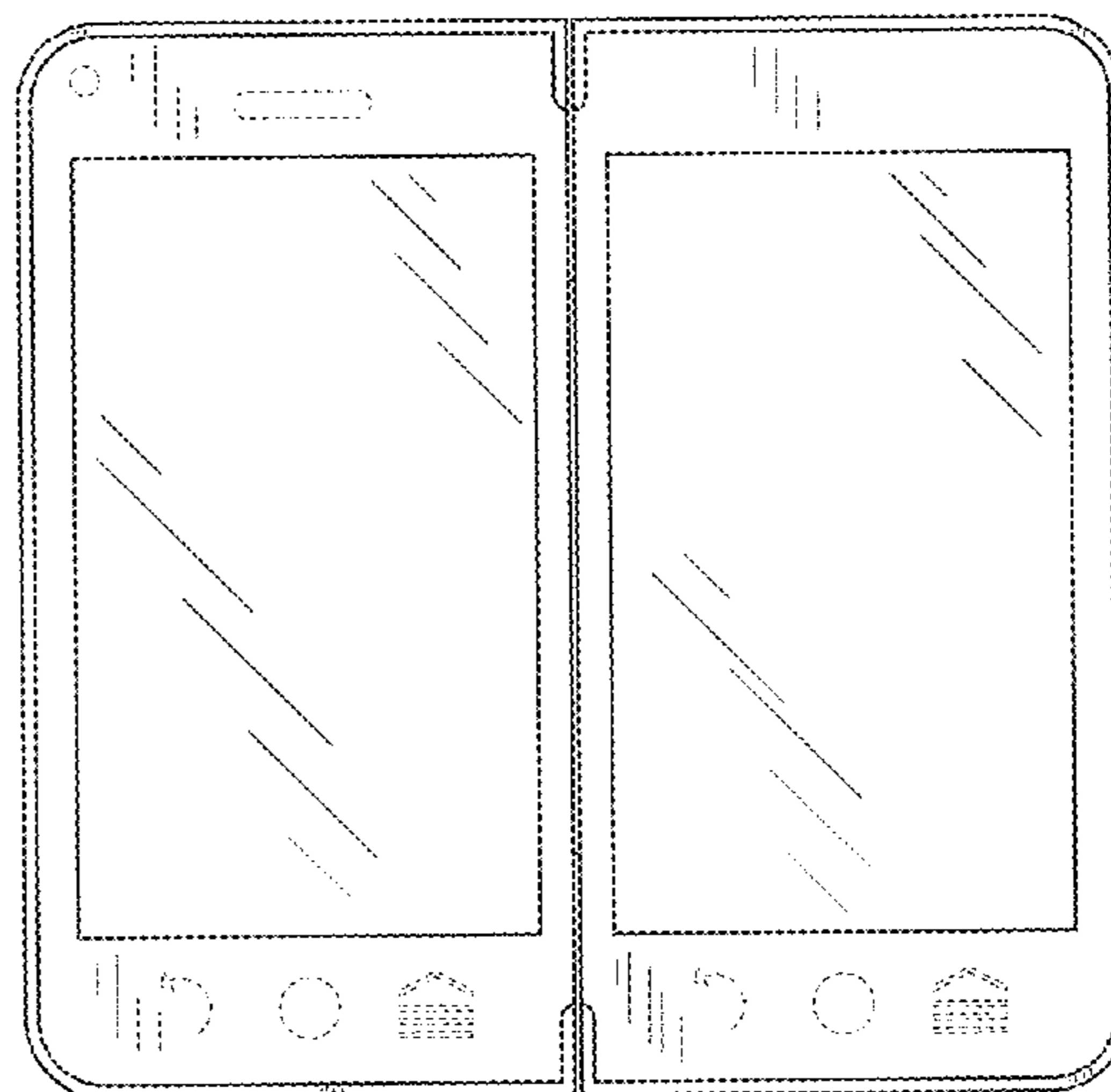
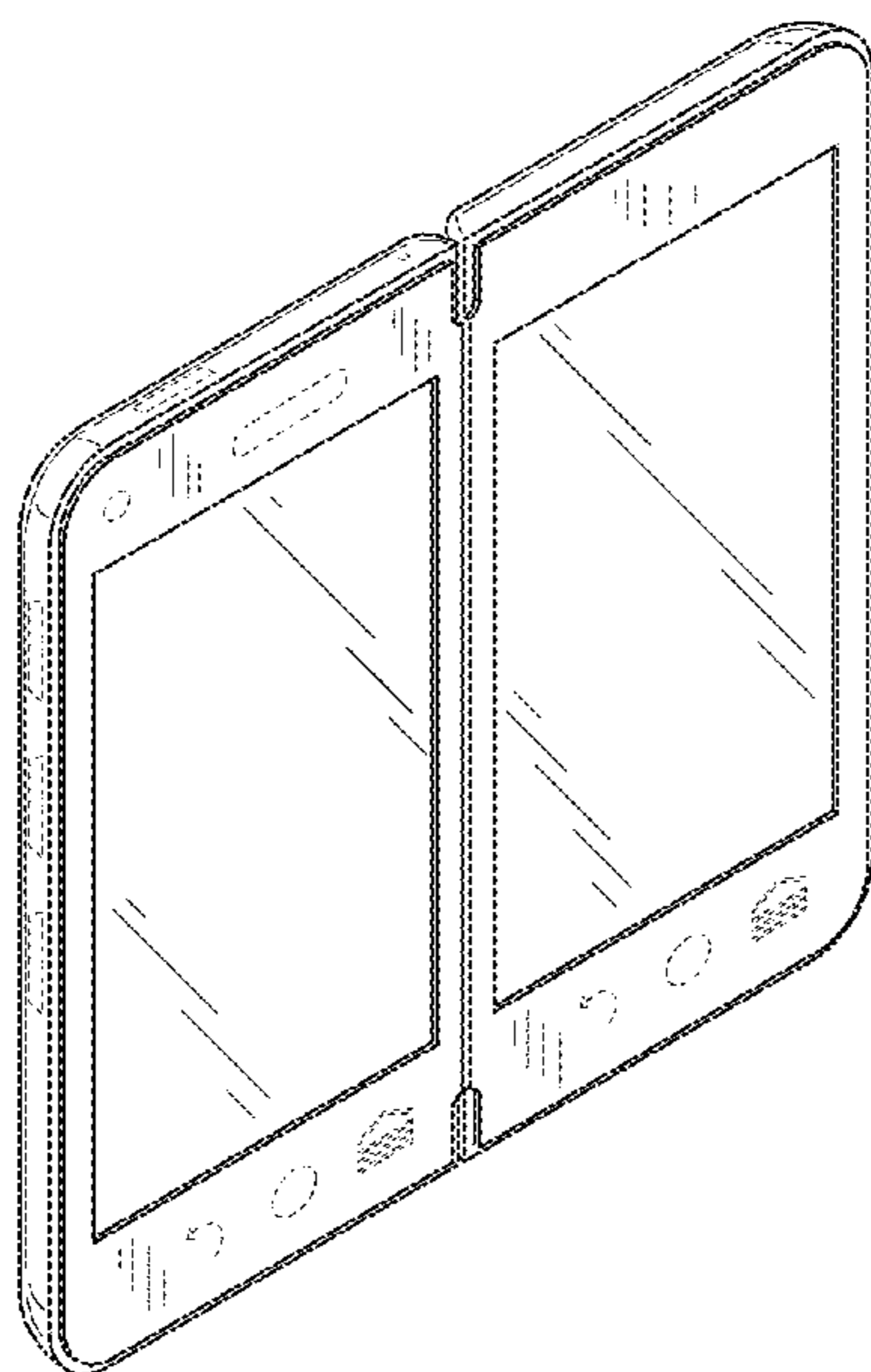
(57) **CLAIM**

The ornamental design for a dual screen electronic device, as shown and described.

DESCRIPTION

FIG. 1 is a front perspective view of a dual screen electronic device showing the new design;
FIG. 2 is a top plan view thereof;
FIG. 3 is a left elevation view thereof;
FIG. 4 is a front elevation view thereof;
FIG. 5 is a right elevation view thereof;
FIG. 6 is a bottom plan view thereof; and,
FIG. 7 is a rear elevation view thereof.
The broken lines shown in the Figures represent portions of the dual screen electronic device that form no part of the claimed design.

1 Claim, 3 Drawing Sheets



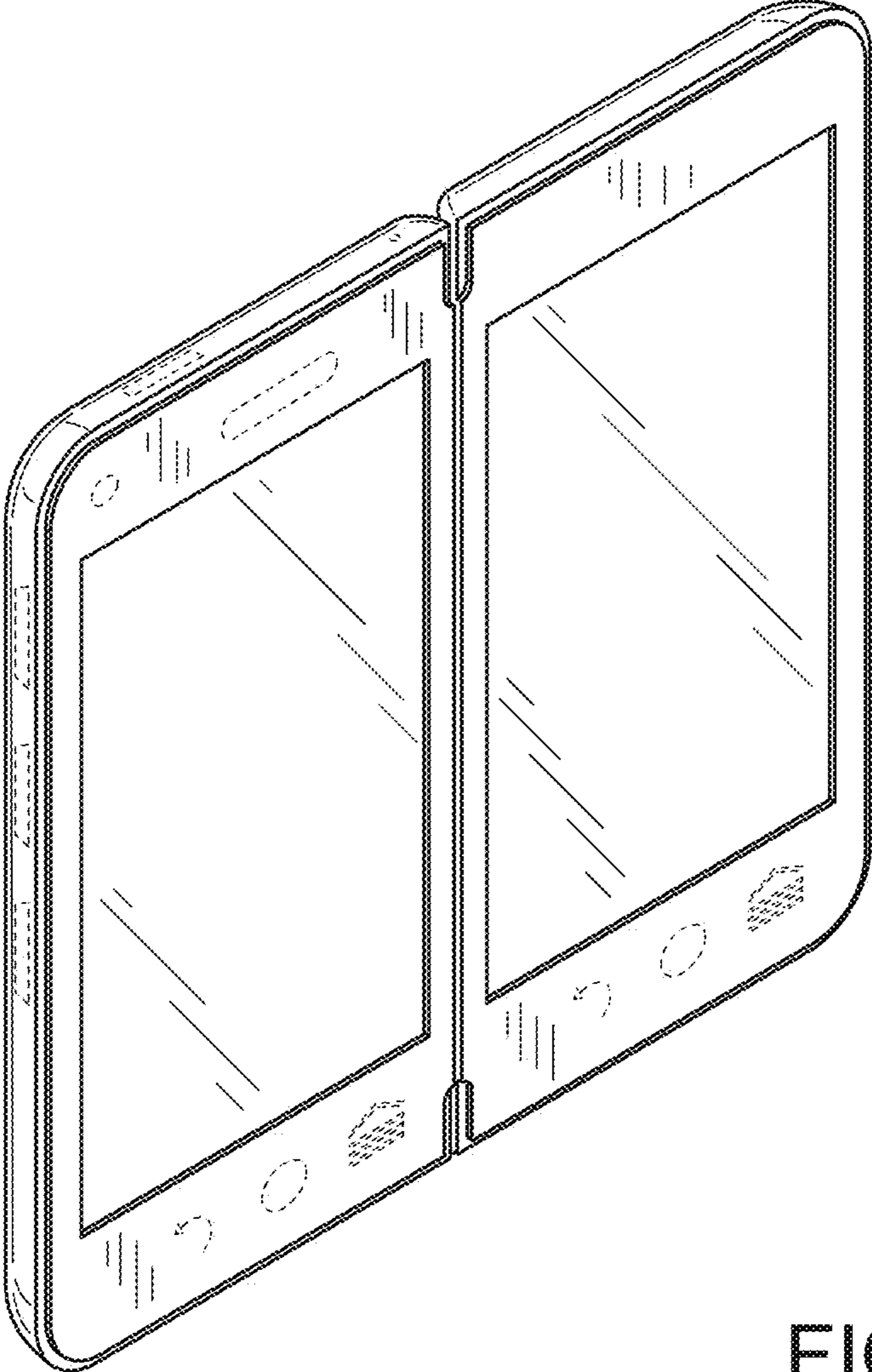


FIG.1



FIG. 2

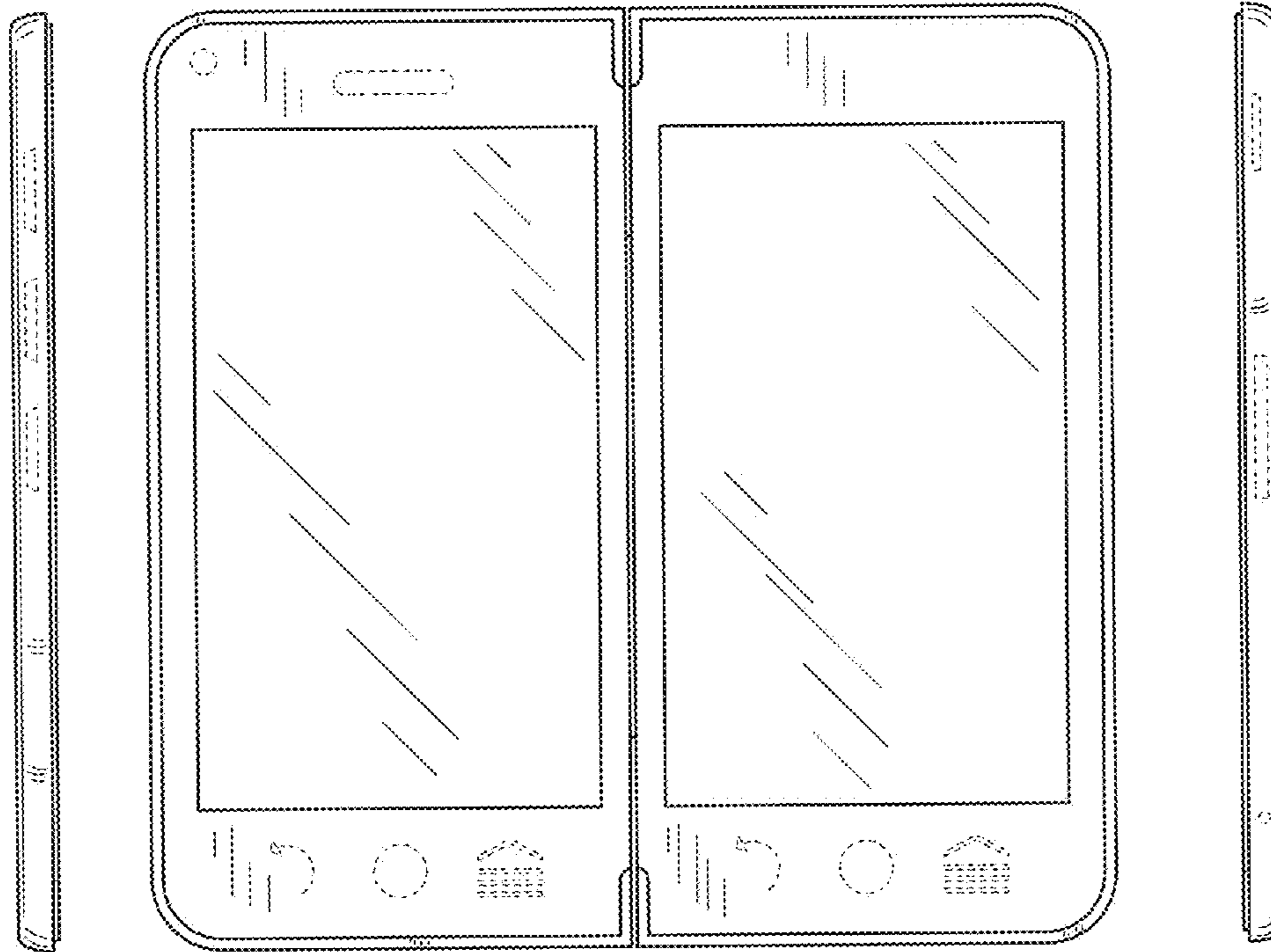


FIG. 3

FIG. 4

FIG. 5



FIG. 6

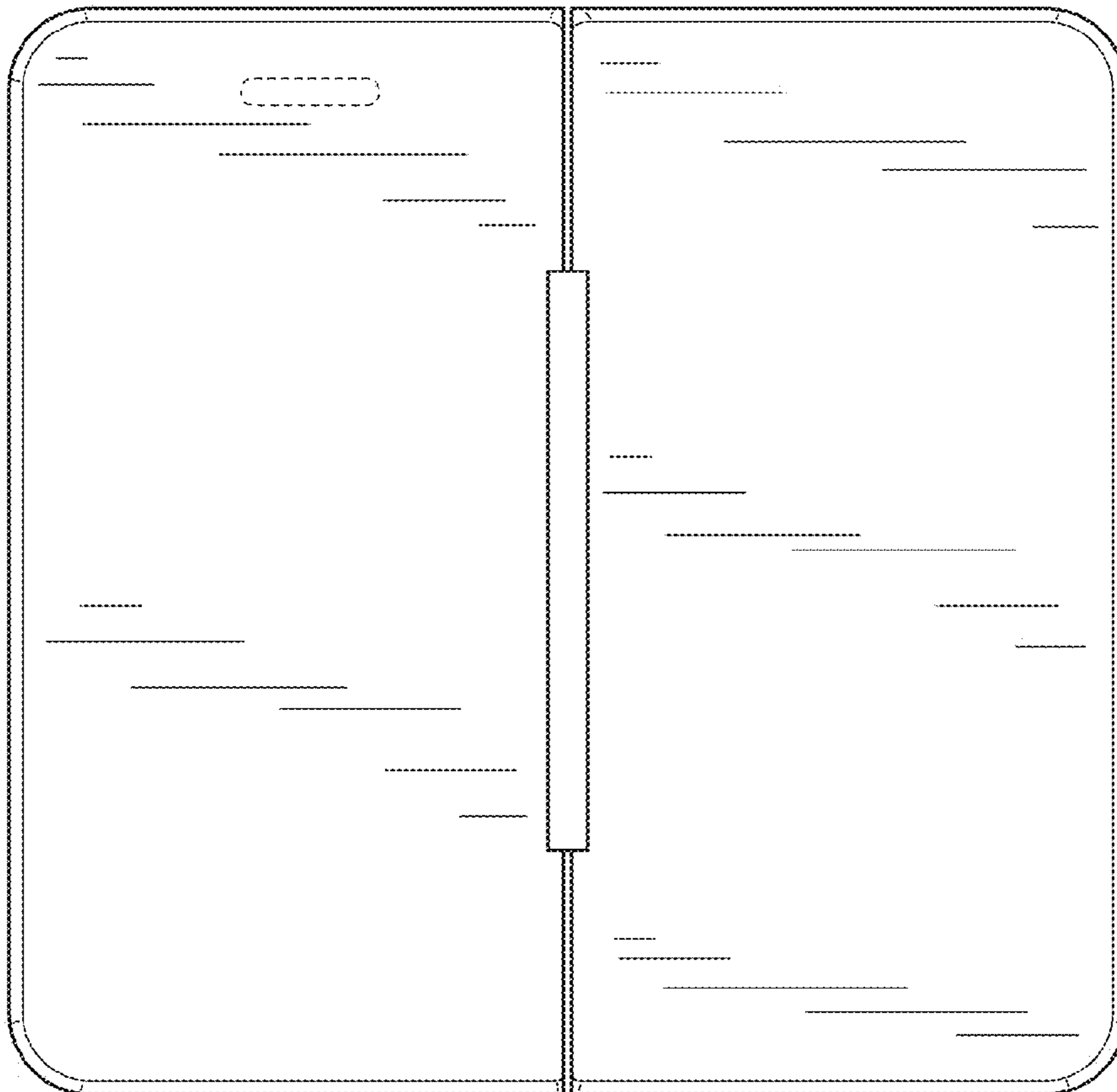


FIG. 7