



US00D680530S

(12) **United States Design Patent**  
**Groene et al.**

(10) **Patent No.:** **US D680,530 S0**  
(45) **Date of Patent:** **\*\* Apr. 23, 2013**

(54) **ELECTRONIC TABLET**

(75) Inventors: **Ralf Groene**, Kirkland, WA (US); **Hua Wang**, Sammamish, WA (US); **Anthony Reed**, Sammamish, WA (US); **Katherine Bailey**, Seattle, WA (US); **Jan Raken**, Seattle, WA (US)

(73) Assignee: **Microsoft Corporation**, Redmond, WA (US)

(\*\*) Term: **14 Years**

(21) Appl. No.: **29/431,665**

(22) Filed: **Sep. 10, 2012**

(51) **LOC (9) Cl.** ..... **14-04**

(52) **U.S. Cl.**  
USPC ..... **D14/341**

(58) **Field of Classification Search** ..... D14/341-347,  
D14/336, 337, 371, 374, 138, 496, 320, 331,  
D14/333, 392, 455; D10/65; 345/901, 104,  
345/133, 156, 168, 173; 348/180, 184, 325,  
348/739, 373, 376; 385/88; 710/62; 455/575.3,  
455/575.1; D19/60; 361/679.27; 178/18.03;  
434/317

See application file for complete search history.

(56) **References Cited**

**U.S. PATENT DOCUMENTS**

D426,548 S 6/2000 Oross  
D451,096 S \* 11/2001 Redmond ..... D14/343  
D451,505 S \* 12/2001 Iseki et al. .... D14/341  
D492,684 S 7/2004 Ozolins  
D500,037 S \* 12/2004 Ozolins et al. .... D14/375  
D502,703 S \* 3/2005 Tsujimoto et al. .... D14/346  
6,882,524 B2 4/2005 Ulla  
D504,889 S 5/2005 Andre  
D533,552 S \* 12/2006 Kuroiwa et al. .... D14/346  
D543,979 S 6/2007 Lee  
7,299,580 B2 11/2007 Wang  
D558,460 S 1/2008 Yu

7,342,776 B1 3/2008 Chan  
D579,939 S 11/2008 Skillman  
D584,304 S 1/2009 Lin  
D585,399 S 1/2009 Hwang  
D603,398 S 11/2009 Watson  
D613,286 S 4/2010 Lee  
D615,527 S 5/2010 Hwang

(Continued)

**FOREIGN PATENT DOCUMENTS**

EM 001911983 2/2011

**OTHER PUBLICATIONS**

Microsoft Surface, posted Nov. 16, 2012 [online]. Retrieved from internet, <http://reviews.cnet.co.uk>.\*

*Primary Examiner* — Barbara Fox

(74) *Attorney, Agent, or Firm* — Banner & Witcoff, Ltd.

(57) **CLAIM**

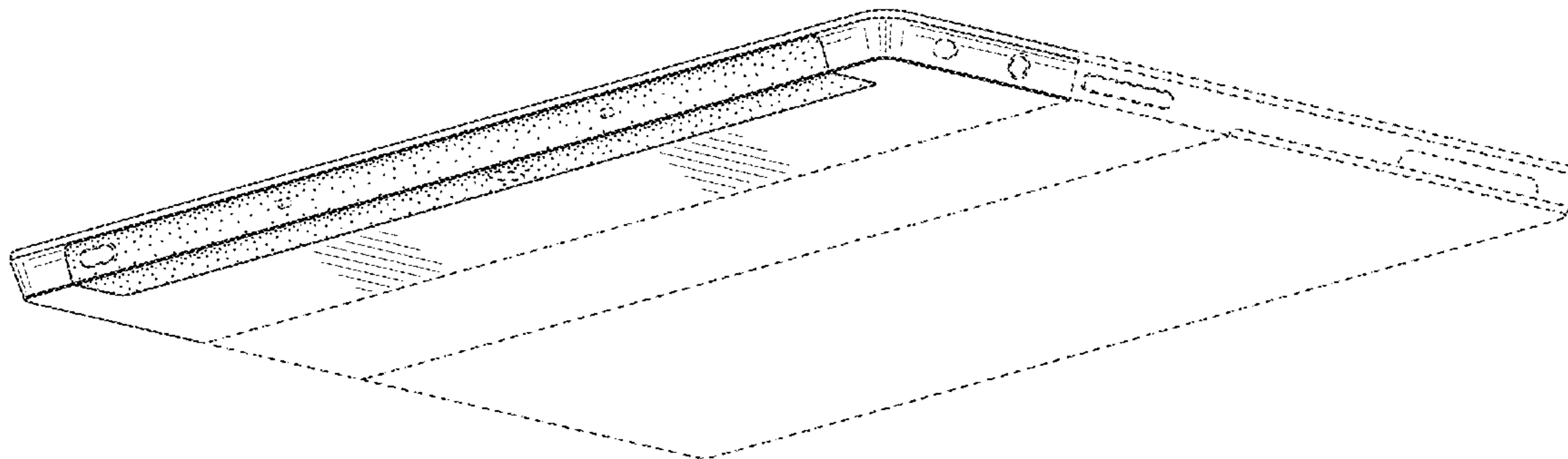
The ornamental design for an electronic tablet, as shown and described.

**DESCRIPTION**

FIG. 1 is a rear-top isometric view of an electronic tablet showing my/our new design;  
FIG. 2 is a rear view thereof;  
FIG. 3 is a top view thereof;  
FIG. 4 is a right side view thereof; and,  
FIG. 5 is a left side view thereof.

The broken line immediately adjacent to the shaded area represents an unclaimed boundary of the design. The broken-line showing of eight regions within the shaded area and the unshaded areas encompassed there within are for environmental purposes only and form no part of the claimed design. The broken lines showing the remainder of the electronic tablet are for environmental purposes only and form no part of the claimed design. The difference in shading indicates a contrast of appearance and does not depict any particular color, texture, or material.

**1 Claim, 3 Drawing Sheets**



# US D680,530 S0

Page 2

## U.S. PATENT DOCUMENTS

D616,448 S	5/2010	Skillman	
D617,793 S *	6/2010	Chiang et al. ....	D14/341
D627,343 S	11/2010	Andre	
D627,777 S	11/2010	Akana et al.	
D627,779 S	11/2010	Liao	
D628,569 S *	12/2010	Guo .....	D14/341
D629,800 S	12/2010	Seong	
D630,207 S	1/2011	Seong	
D630,607 S *	1/2011	Li .....	D14/138 AB
D631,469 S	1/2011	Demskie	
D631,474 S	1/2011	Green	
D632,687 S	2/2011	Seong	
D632,688 S	2/2011	Seong	
D636,768 S	4/2011	Chan	
D636,770 S	4/2011	Li	
D637,596 S *	5/2011	Akana et al. ....	D14/341
D637,597 S	5/2011	Seong	
D638,419 S	5/2011	Ishiharada	
D638,833 S	5/2011	Chuang	
D638,836 S	5/2011	Daniel	
D639,266 S *	6/2011	DeLorenzo et al. ....	D14/142
D641,016 S	7/2011	Takahashi	
D641,017 S	7/2011	Meng	
D645,465 S	9/2011	Lin	
D649,190 S	11/2011	Goodall	
D650,380 S	12/2011	Ballout	
D654,497 S	2/2012	Lee	
D655,704 S *	3/2012	Akana et al. ....	D14/318
D656,136 S	3/2012	Lee	
D656,137 S	3/2012	Chung	
D659,139 S	5/2012	Gengler	
D659,692 S *	5/2012	Jung et al. ....	D14/341
D664,540 S *	7/2012	Kim et al. ....	D14/341
D664,954 S	8/2012	Kim	
D667,825 S *	9/2012	Jung .....	D14/341
D669,069 S	10/2012	Akana et al.	
D669,468 S	10/2012	Akana et al.	
D670,286 S	11/2012	Akana et al.	
D670,692 S *	11/2012	Akana et al. ....	D14/341
2005/0052831 A1	3/2005	Chen	
2006/0237599 A1 *	10/2006	Ternus et al. ....	248/176.1
2012/0140396 A1	6/2012	Zeliff	
2012/0194448 A1	8/2012	Rothkopf	

\* cited by examiner

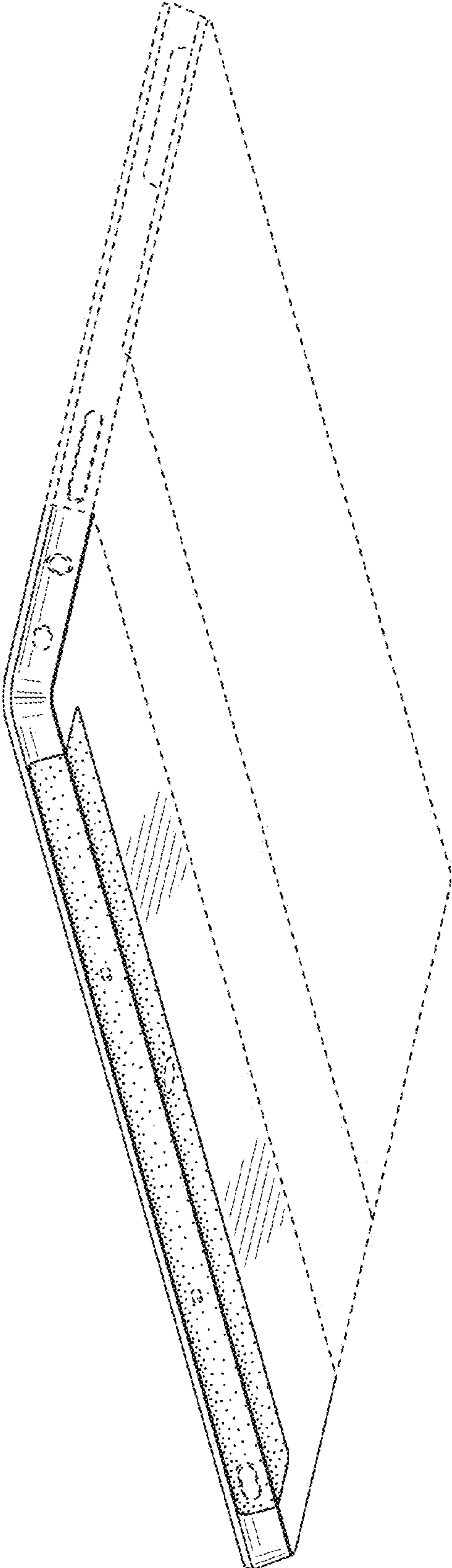


FIG. 1

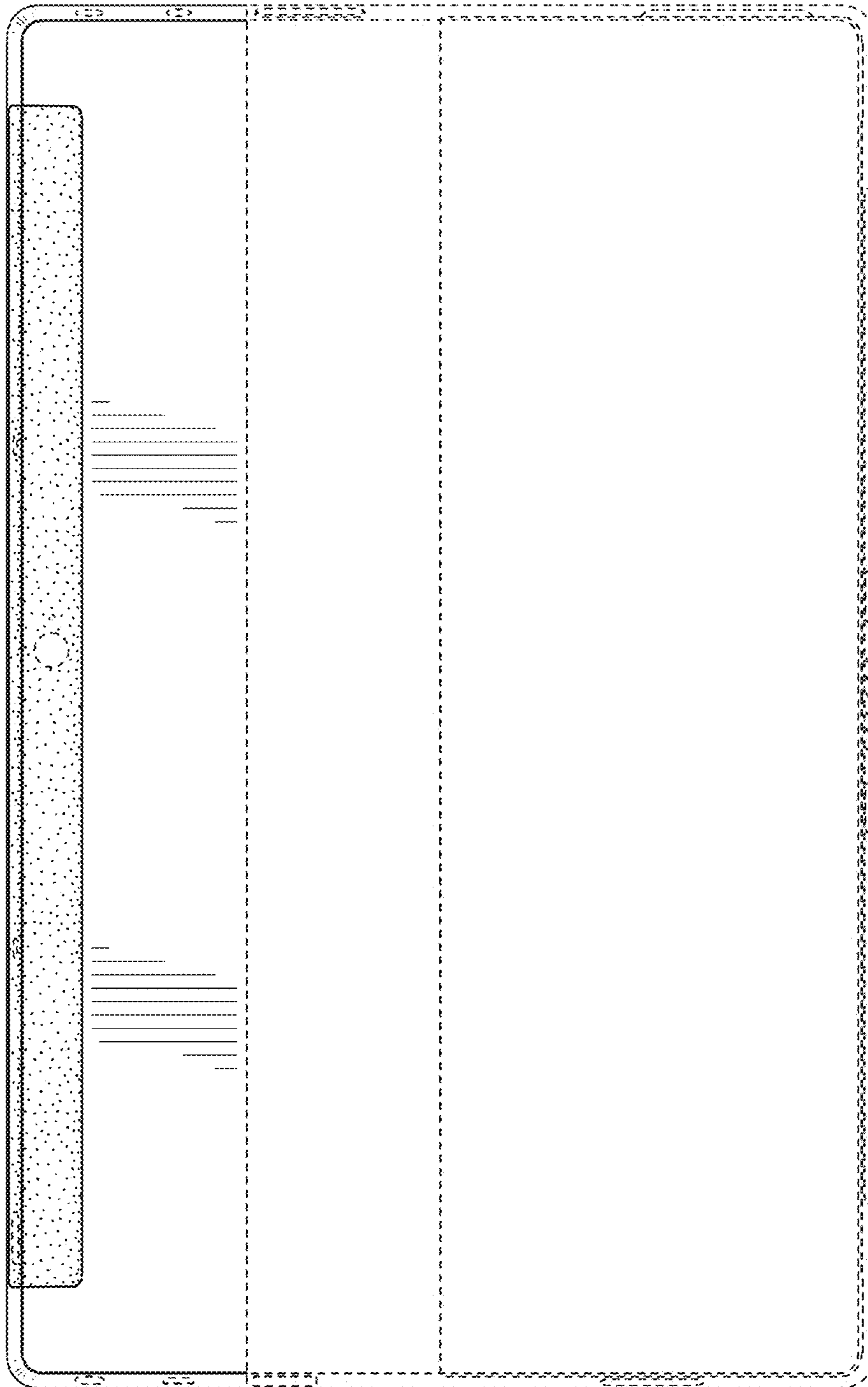


FIG. 2



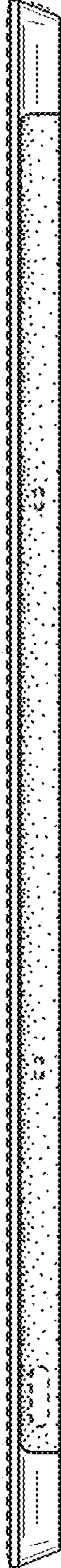


FIG. 3

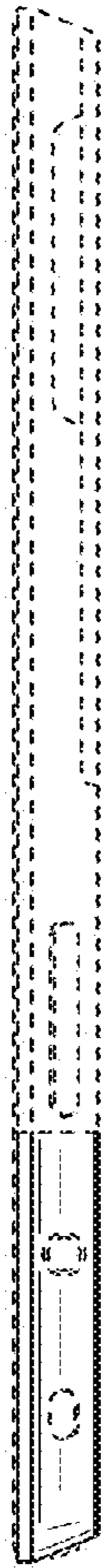


FIG. 4

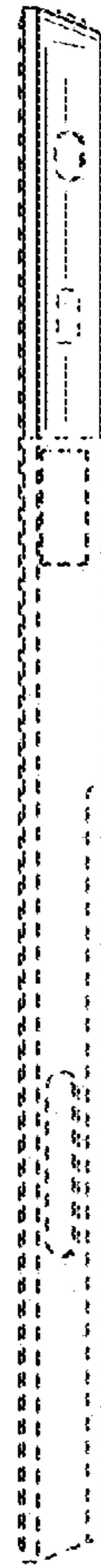


FIG. 5