



US00D680526S

(12) **United States Design Patent**
Gammon et al.

(10) **Patent No.:** **US D680,526 S**

(45) **Date of Patent:** **** Apr. 23, 2013**

(54) **TABLET HOUSING**

(75) Inventors: **Weldon Gammon**, Raleigh, NC (US);
David Libman, Dove Canyon, CA (US);
Jaysun Stockdell-Giesler, Morrisville,
NC (US)

(73) Assignee: **RGB Systems, Inc.**, Anaheim, CA (US)

(**) Term: **14 Years**

(21) Appl. No.: **29/403,283**

(22) Filed: **Oct. 4, 2011**

(51) **LOC (9) Cl.** **14-02**

(52) **U.S. Cl.**
USPC **D14/341**

(58) **Field of Classification Search** D14/341-347,
D14/137, 138, 138.1, 138 A, 138 AA, 138 R,
D14/138 AB, 138 AC, 138 AD, 138 C, 138 G,
D14/496, 203.1, 203.3, 203.4, 203.5, 203.7,
D14/426, 427, 432, 429, 129, 130, 420, 439-441,
D14/448, 125, 126, 147, 156, 218, 247-248,
D14/250, 389, 388, 315-318; D10/65, 104;
D18/6-7; D19/26, 59, 60; 455/556.1, 556.2,
455/566, 575.1, 90.3; 379/433.04, 433.01,
379/433.06, 916; 345/169, 173, 901, 905;
361/679.26, 679.27, 679.3, 679.55, 679.56

See application file for complete search history.

(56) **References Cited**

U.S. PATENT DOCUMENTS

D270,061 S * 8/1983 Ackeret D6/308
D360,479 S * 7/1995 Howard D26/31
D490,420 S * 5/2004 Solomon et al. D14/341
D498,235 S * 11/2004 Chen et al. D18/4.6
D570,610 S * 6/2008 Chuang D6/300
D591,290 S * 4/2009 Park et al. D14/371
D613,951 S * 4/2010 Tang et al. D6/308
D625,928 S * 10/2010 Lee et al. D6/308
D629,771 S * 12/2010 Haspil et al. D14/138 G

D638,412 S * 5/2011 Lee D14/250
D660,837 S * 5/2012 Libman et al. D14/336
D661,692 S * 6/2012 Sanlerville D14/240
D666,984 S * 9/2012 Suzuki D14/138 G

* cited by examiner

Primary Examiner — Barbara Fox

(74) *Attorney, Agent, or Firm* — The Hecker Law Group,
PLC

(57) **CLAIM**

The ornamental design for a tablet housing, as shown and
described.

DESCRIPTION

FIG. 1 is a front perspective view of a tablet housing of the
present invention shown with an unclaimed stand.

FIG. 2 is a front view thereof.

FIG. 3 is a right side view thereof.

FIG. 4 is a rear view thereof.

FIG. 5 is a rear perspective view thereof.

FIG. 6 is another rear perspective view thereof.

FIG. 7 is a left side view thereof.

FIG. 8 is a front perspective view of the tablet housing of FIG.
1, shown in an alternate position.

FIG. 9 is a bottom view thereof.

FIG. 10 is a front perspective view of the tablet housing of
FIG. 1, shown without the unclaimed stand.

FIG. 11 is a front view thereof.

FIG. 12 is a right side view thereof.

FIG. 13 is a left side view thereof.

FIG. 14 is a top view thereof.

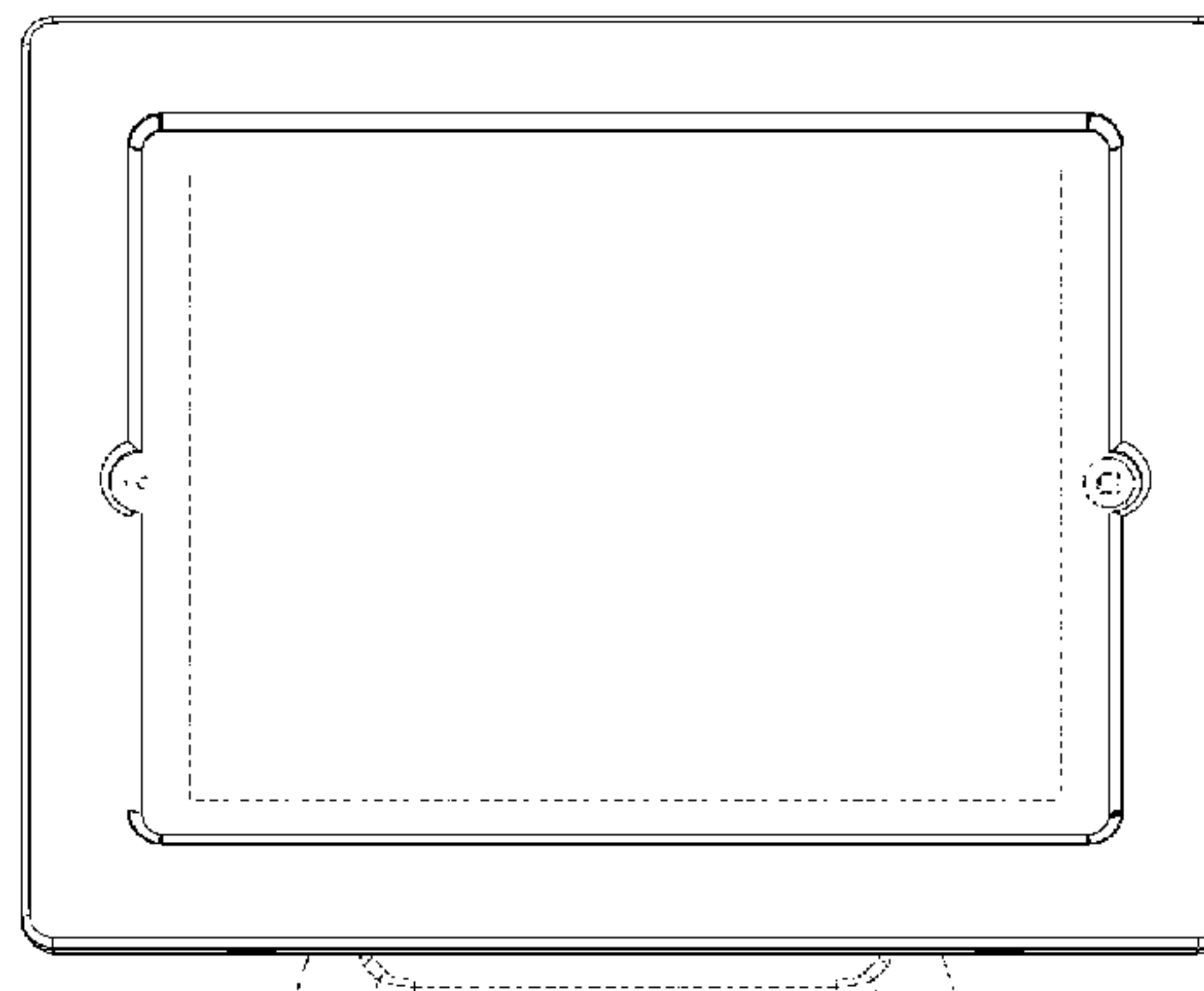
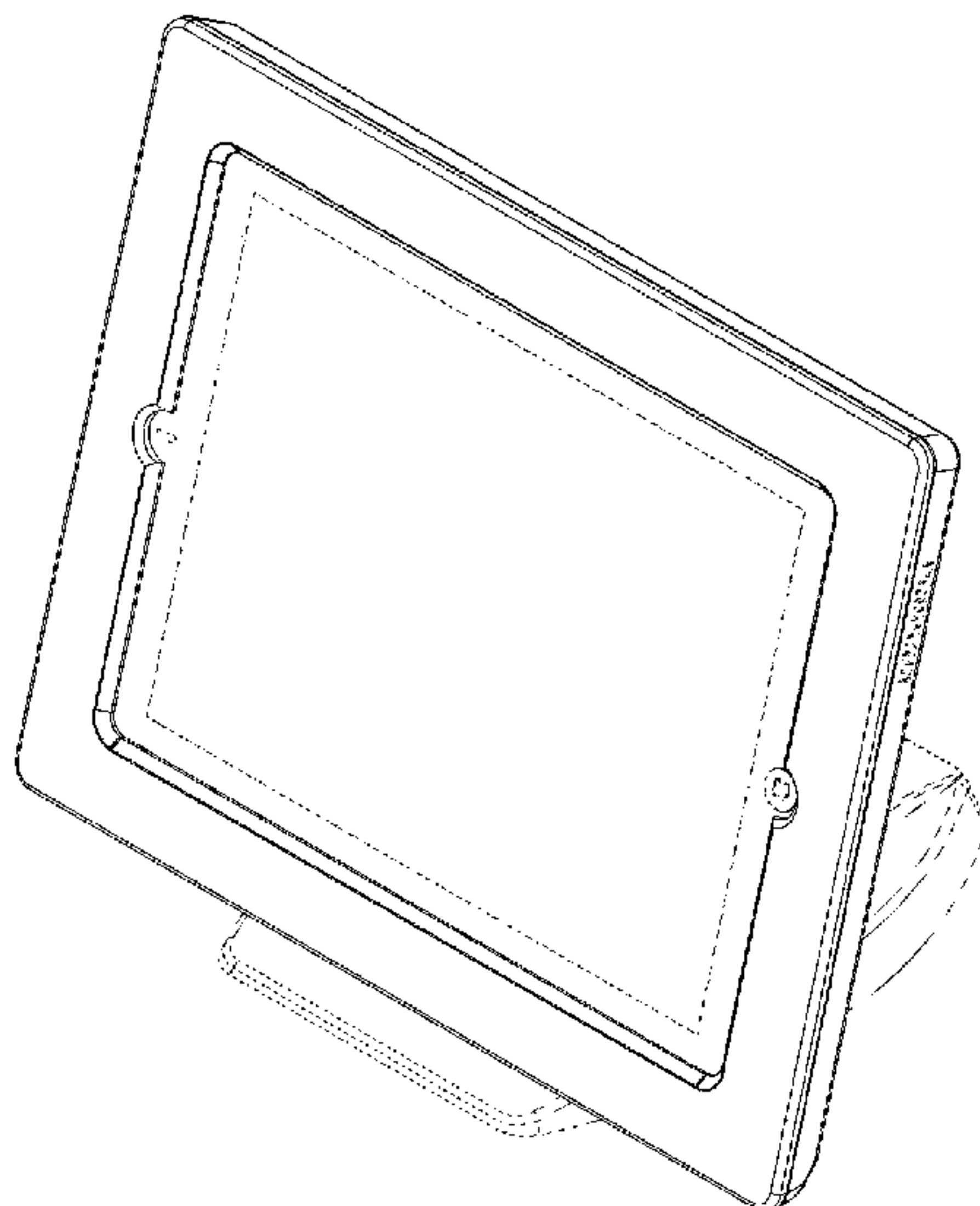
FIG. 15 is a bottom view thereof.

FIG. 16 is a rear view thereof; and,

FIG. 17 is a rear perspective view thereof.

The broken lines shown in the drawings represent portions of
the tablet housing and environmental structure that form no
part of the claimed design.

1 Claim, 9 Drawing Sheets



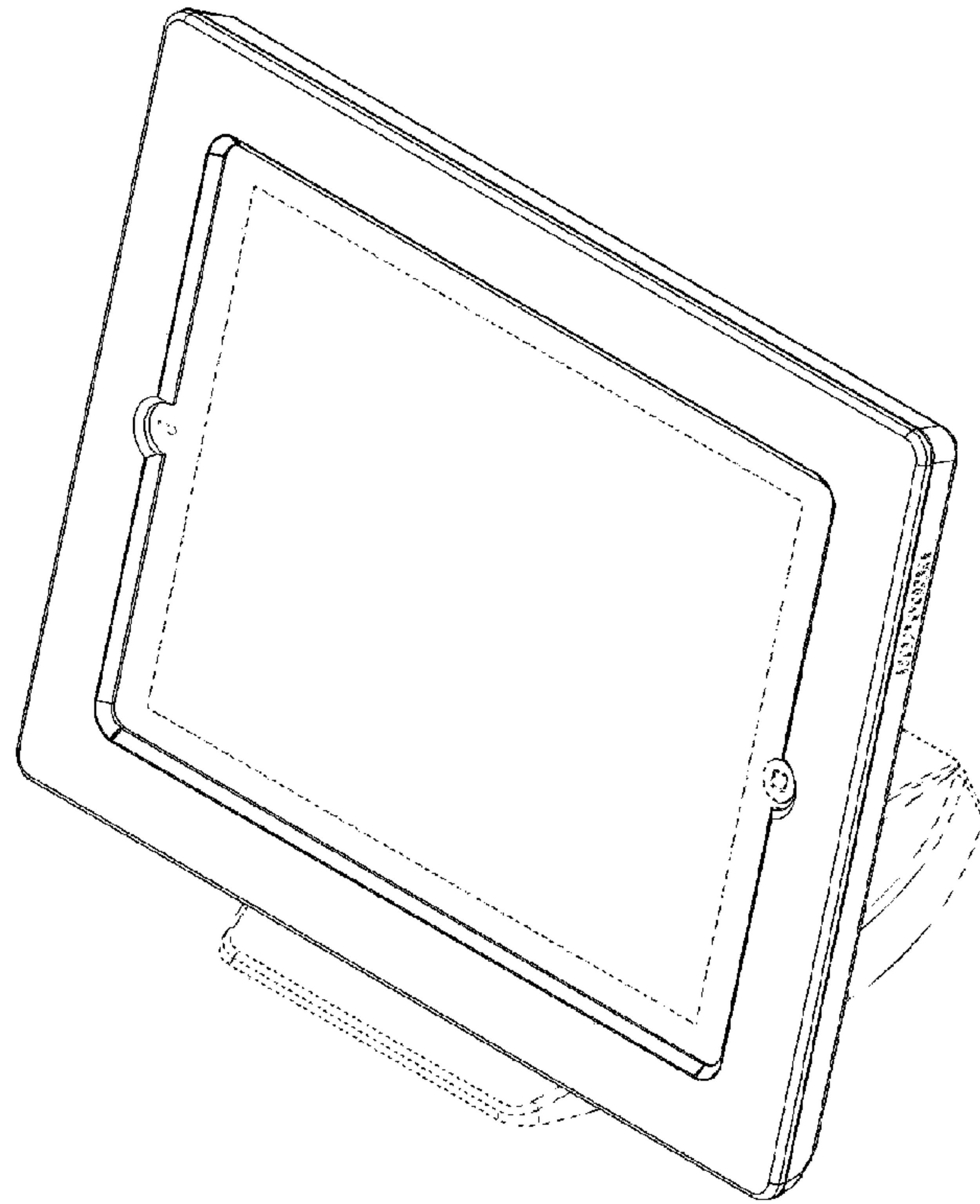


Figure 1

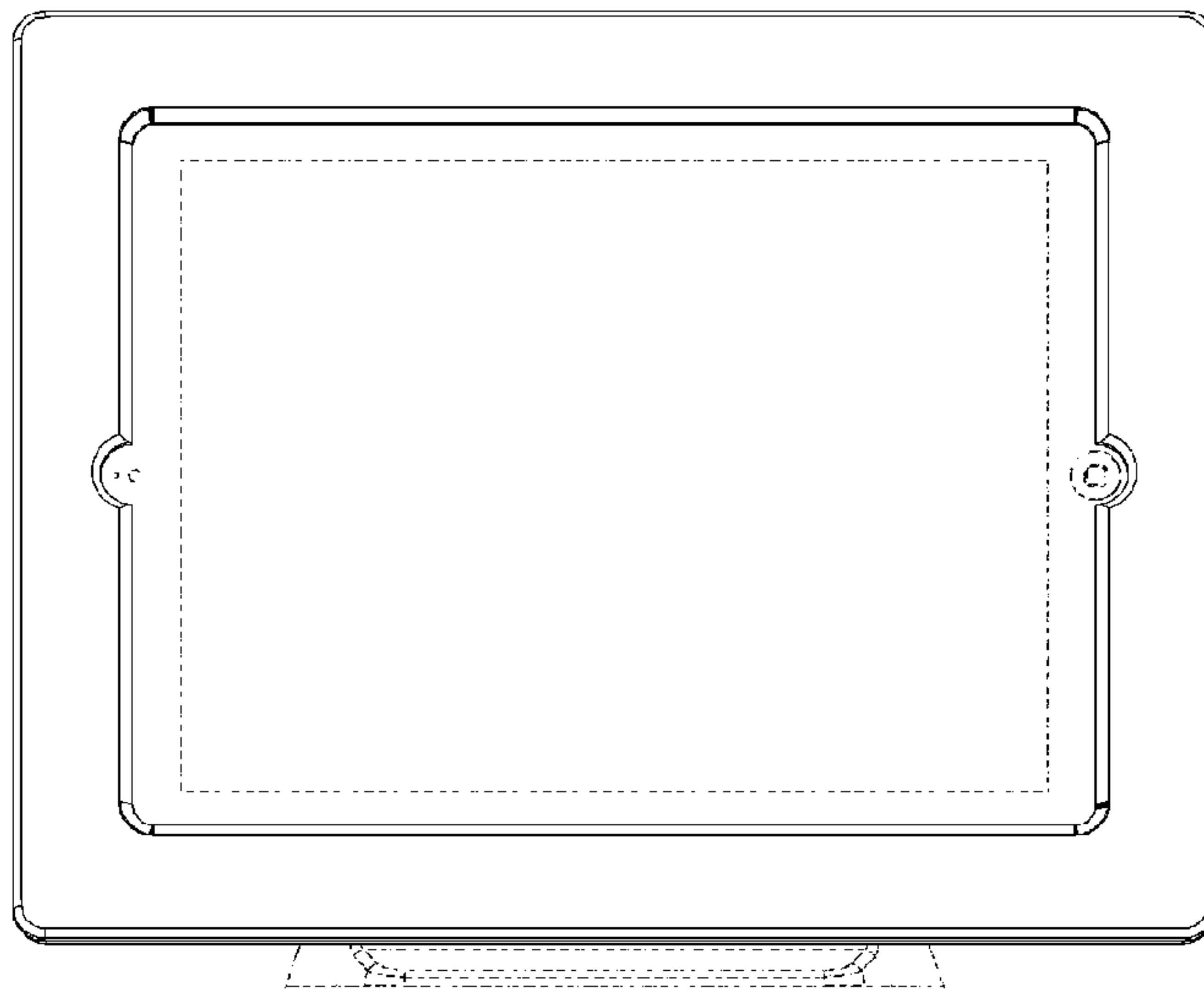


Figure 2

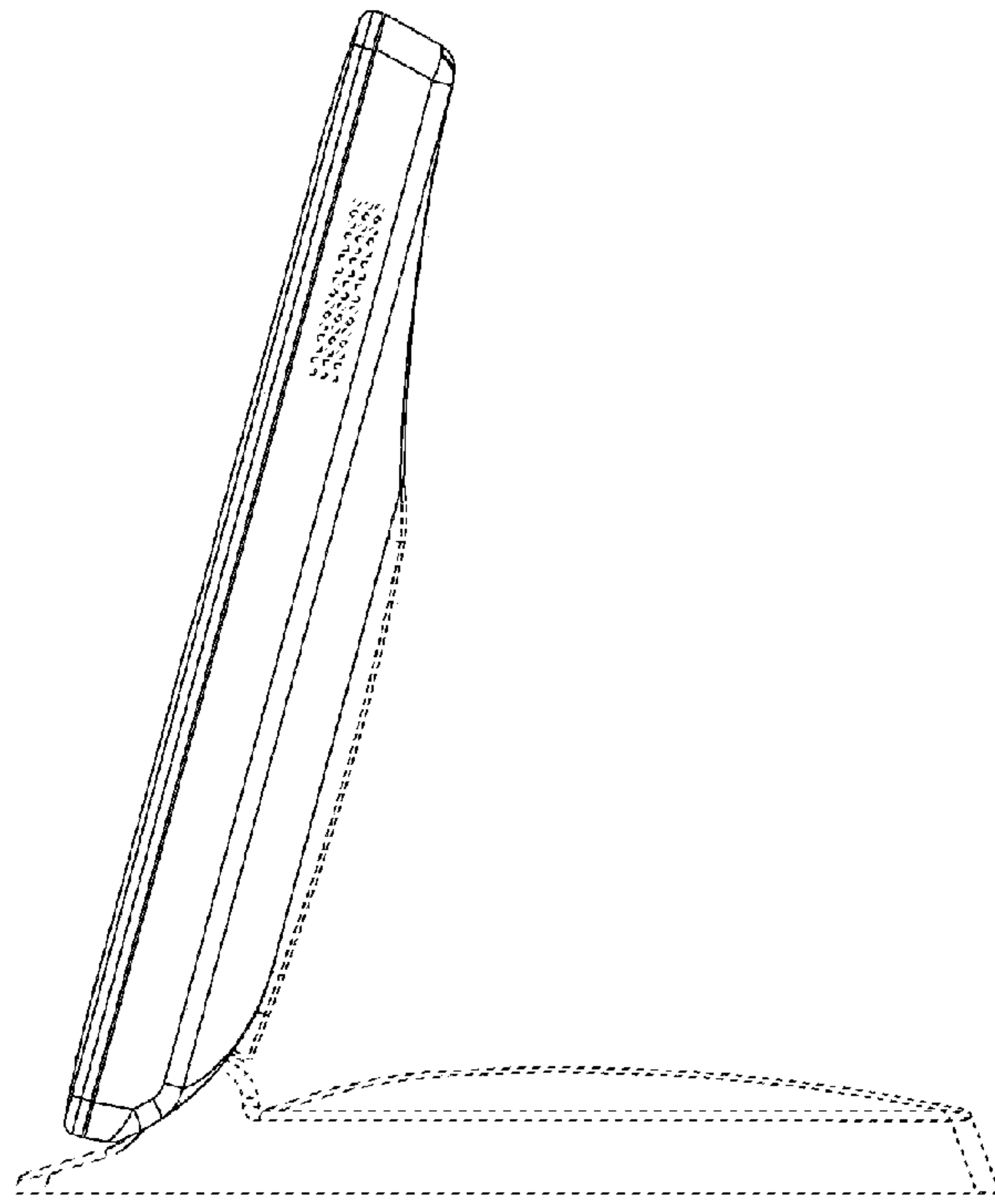


Figure 3

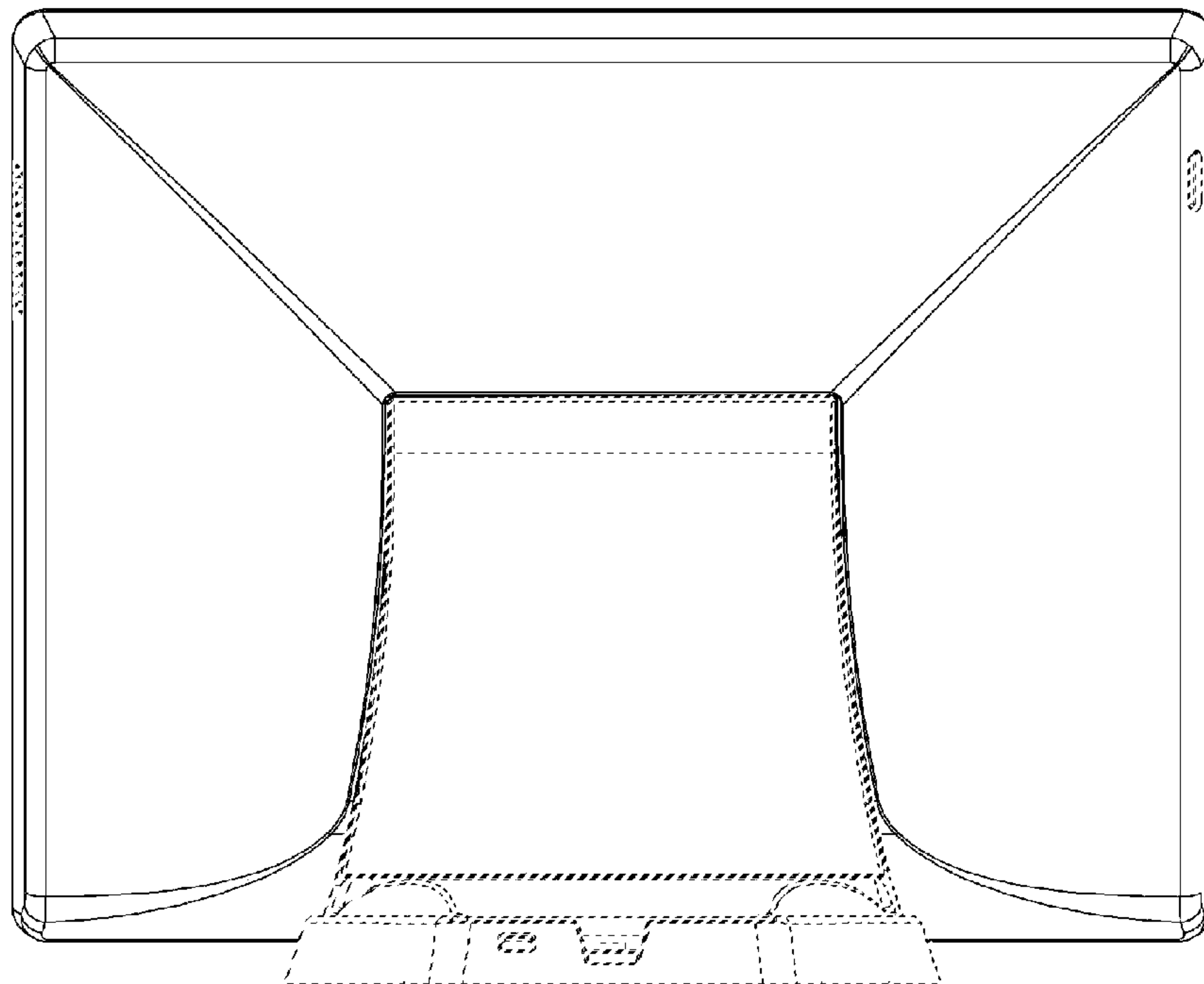


Figure 4

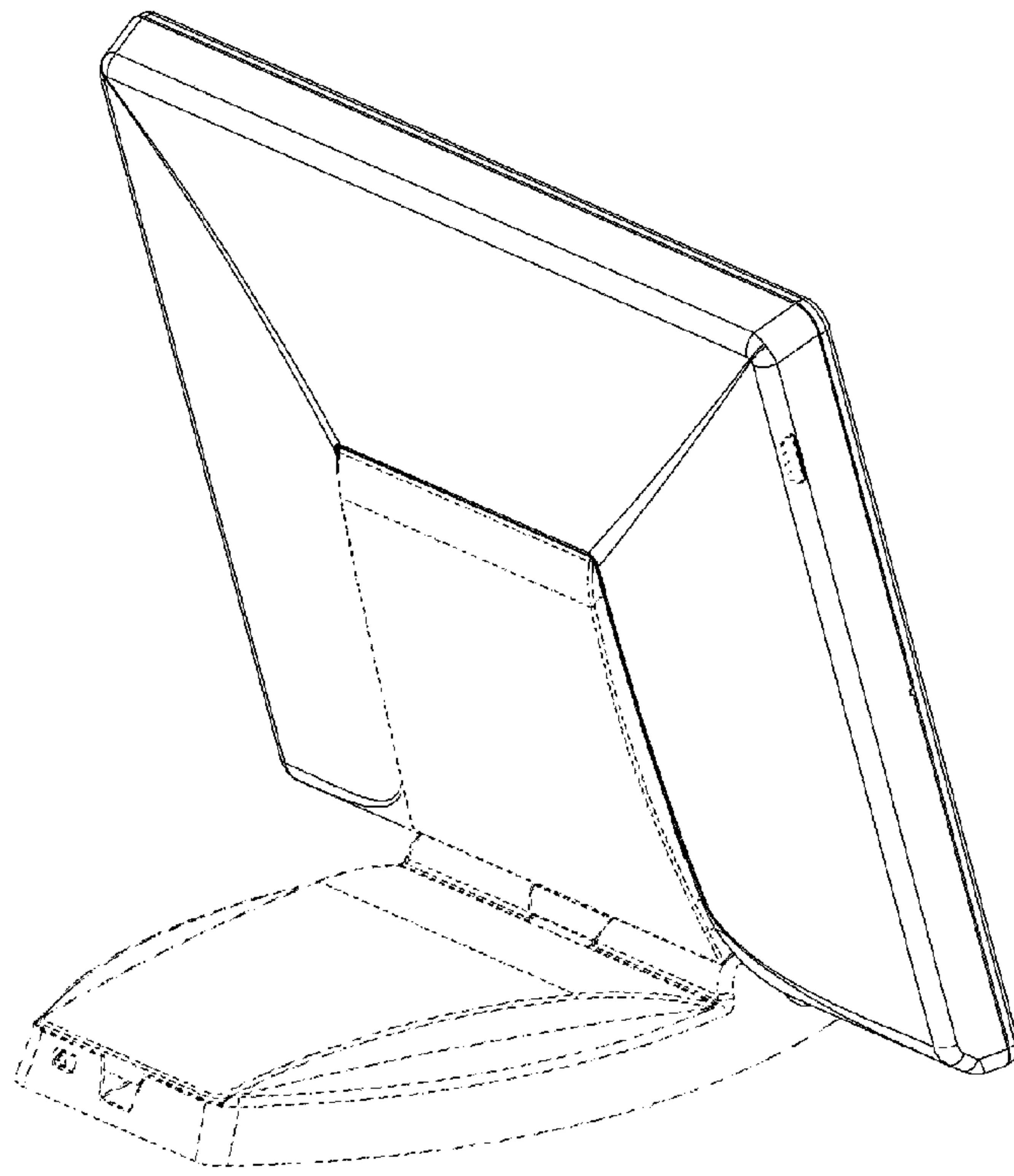


Figure 5

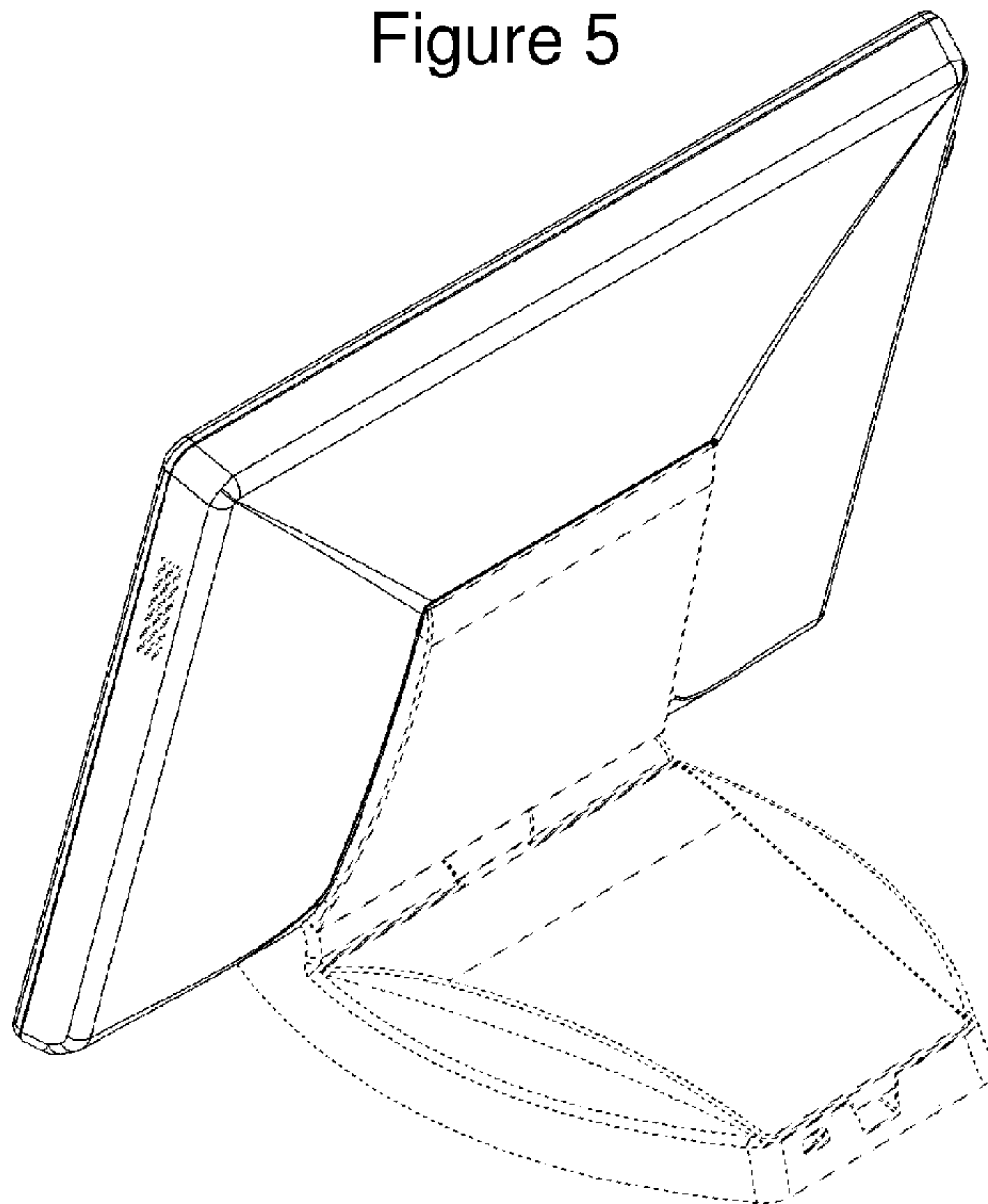


Figure 6

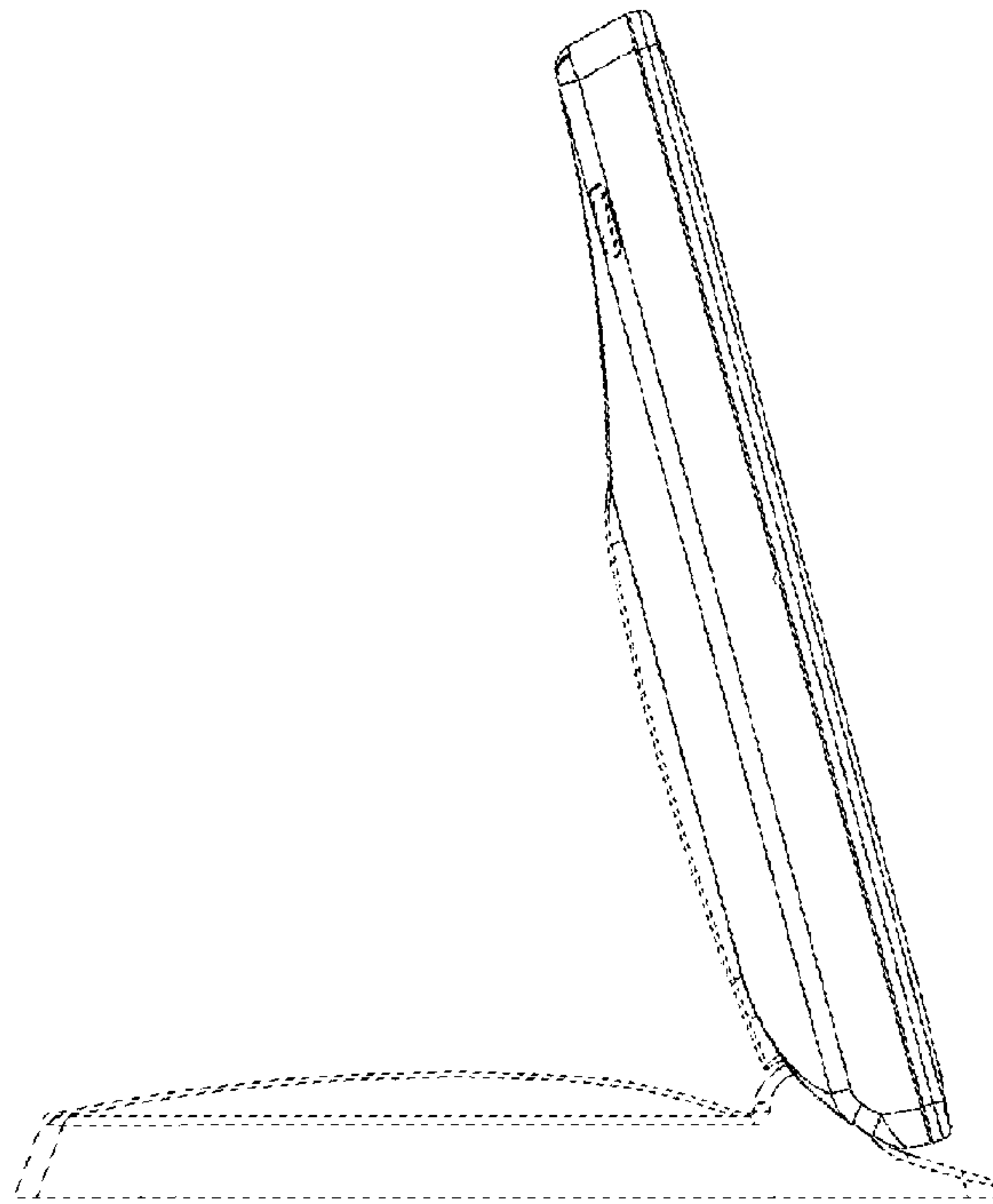


Figure 7

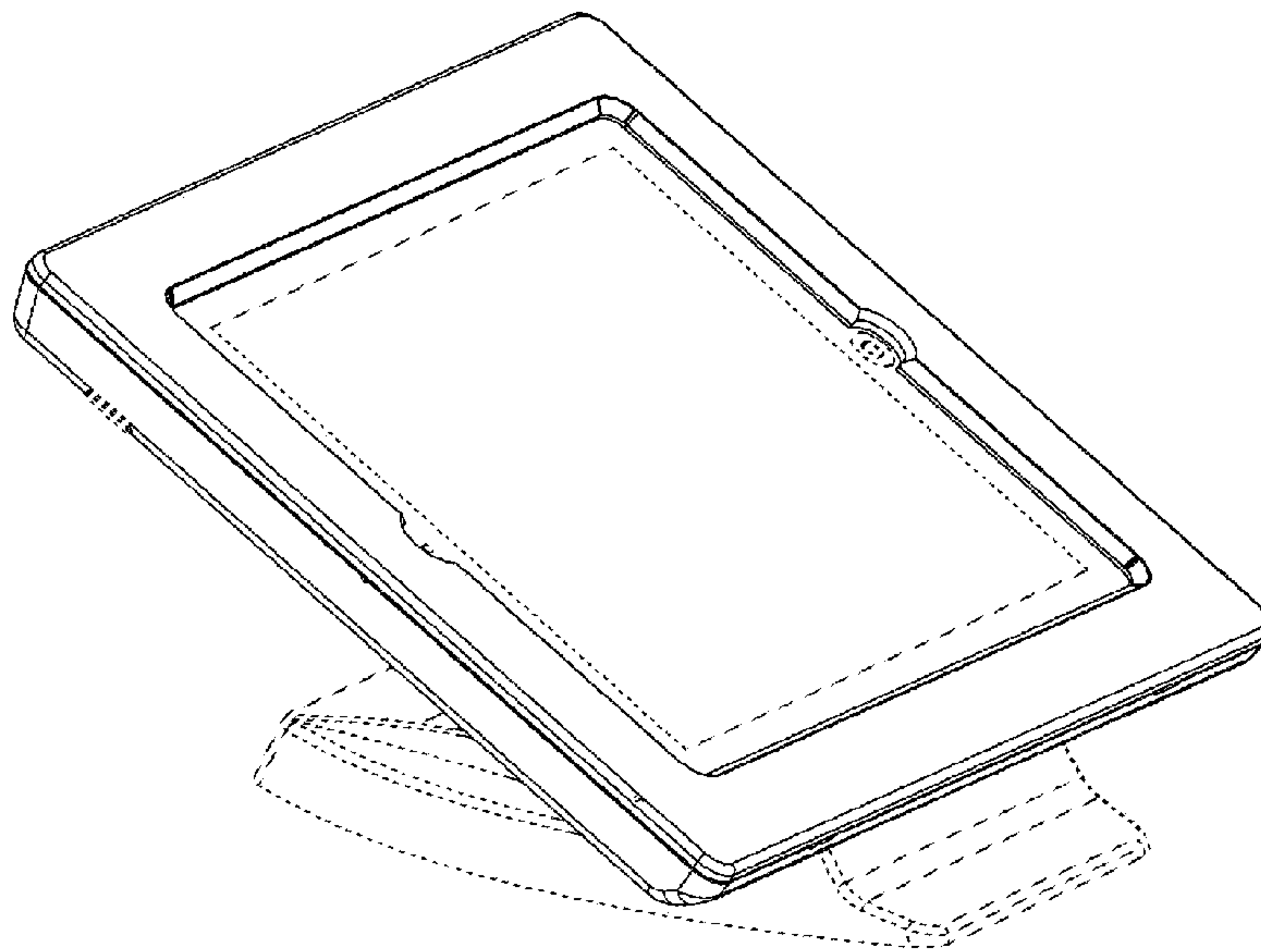


Figure 8

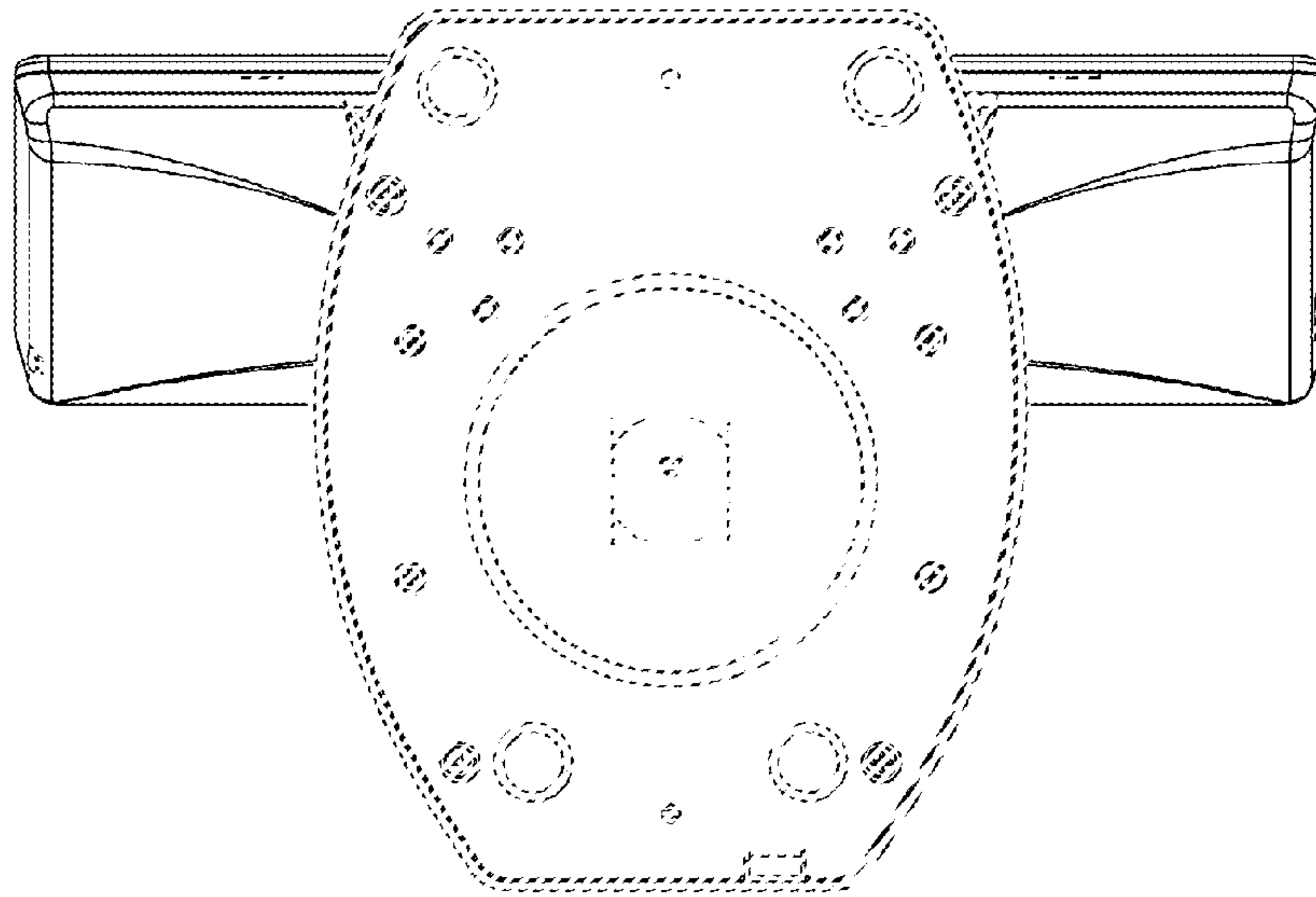


Figure 9

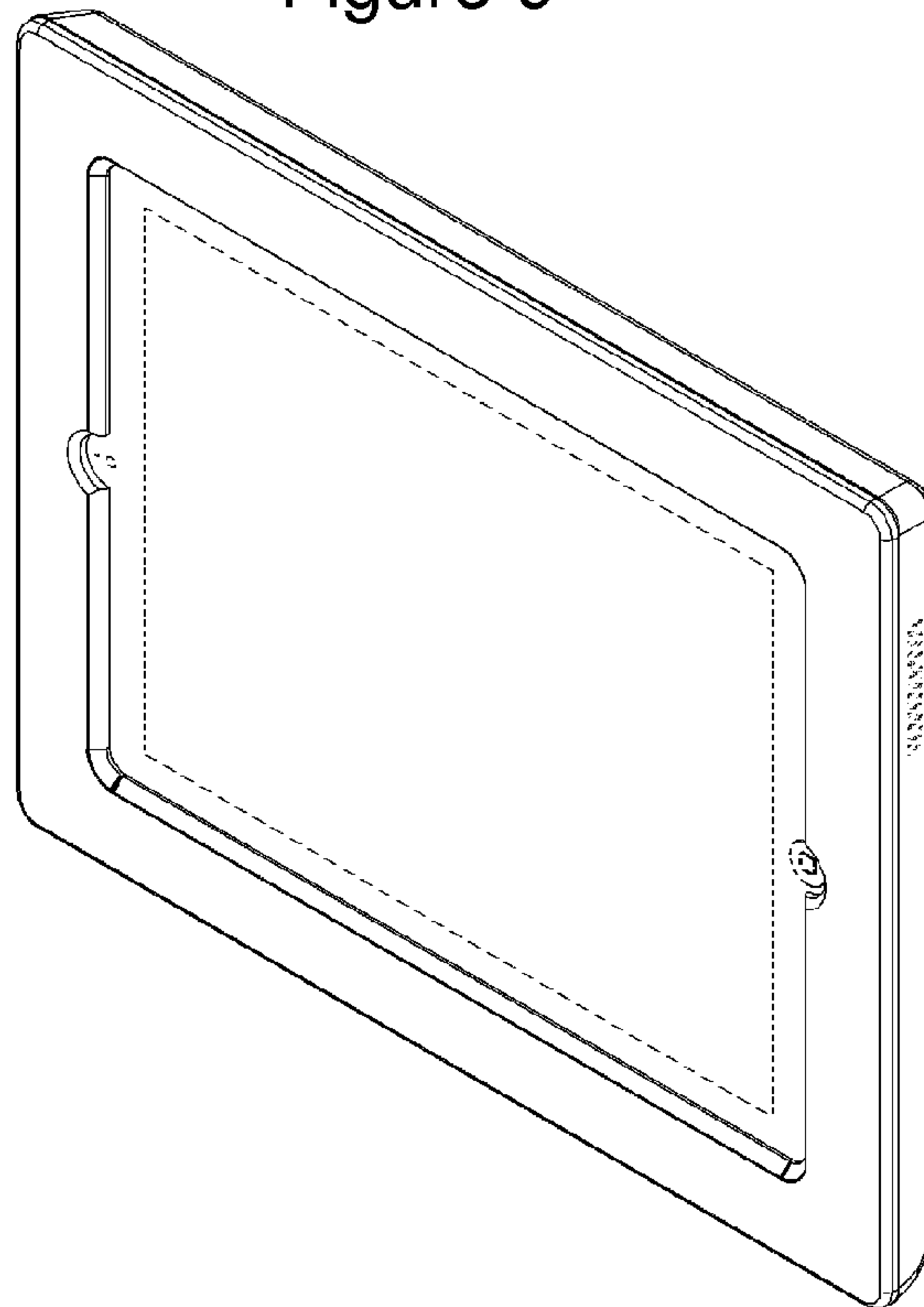


Figure 10

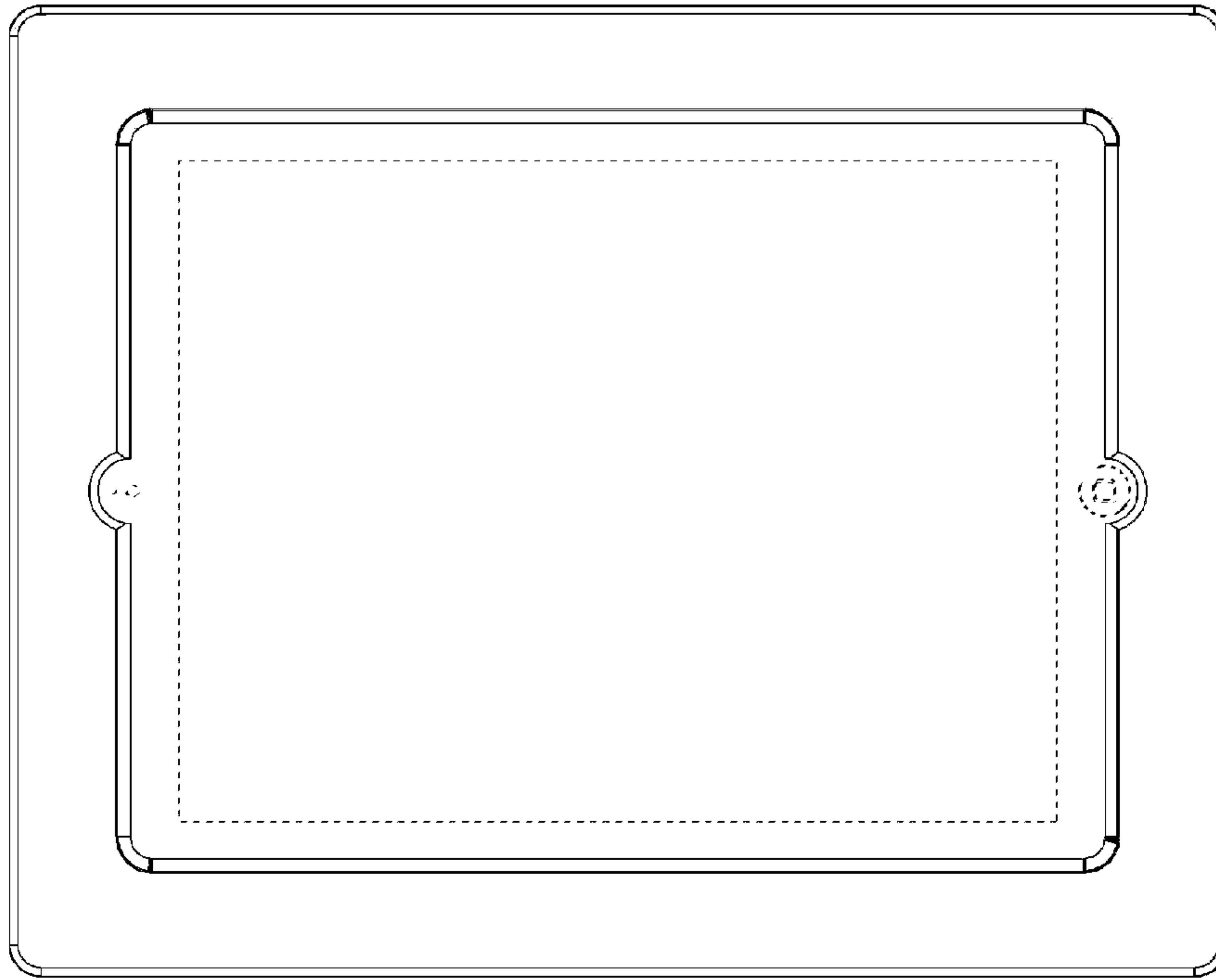


Figure 11

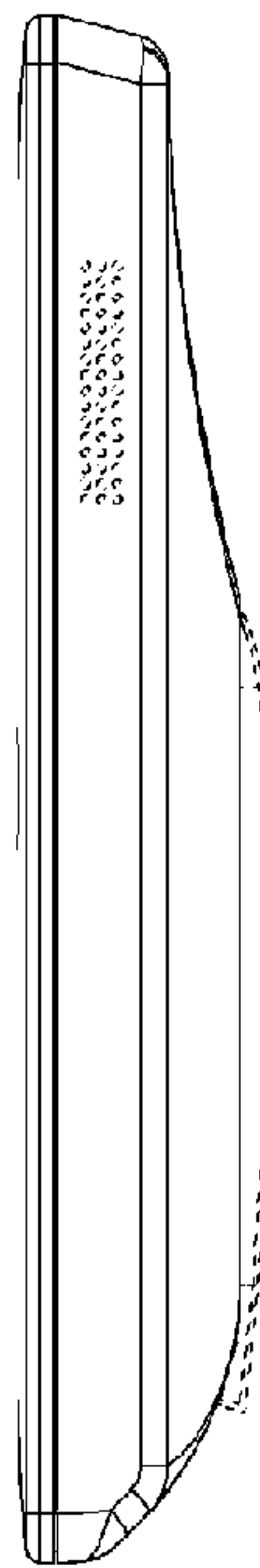


Figure 12

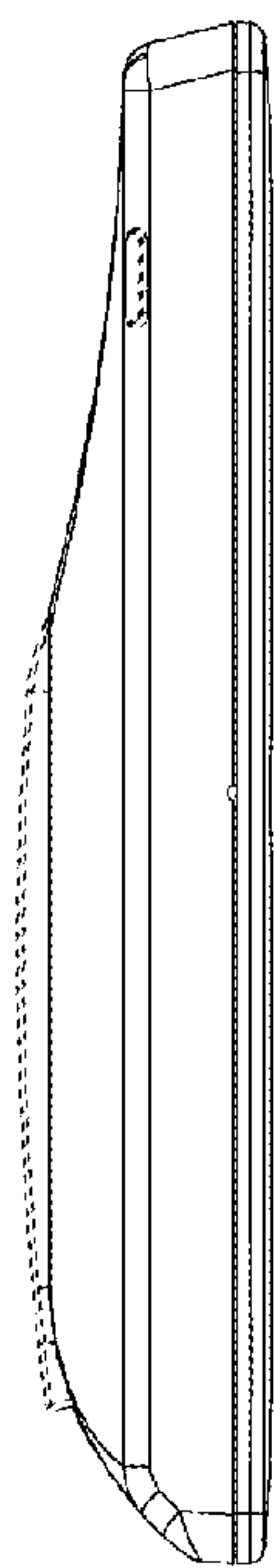


Figure 13

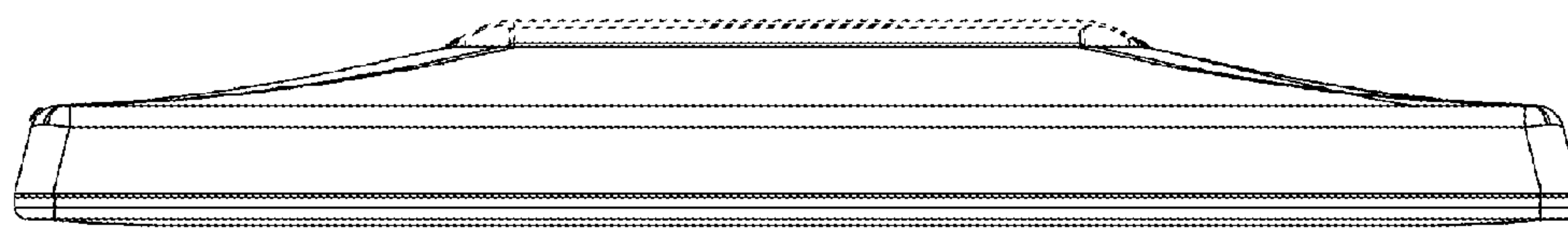


Figure 14

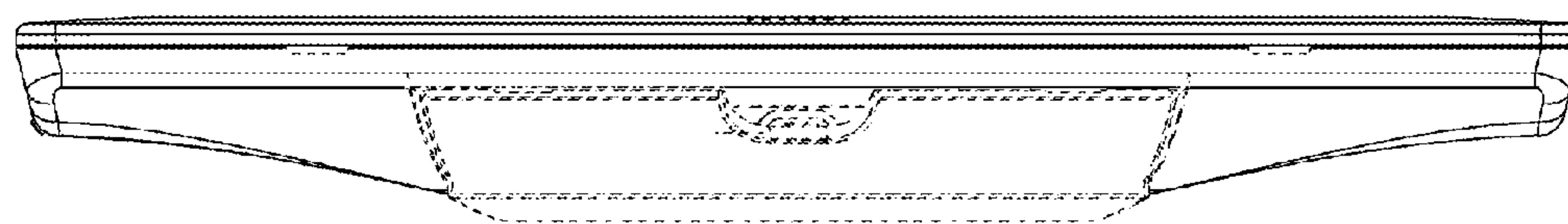


Figure 15

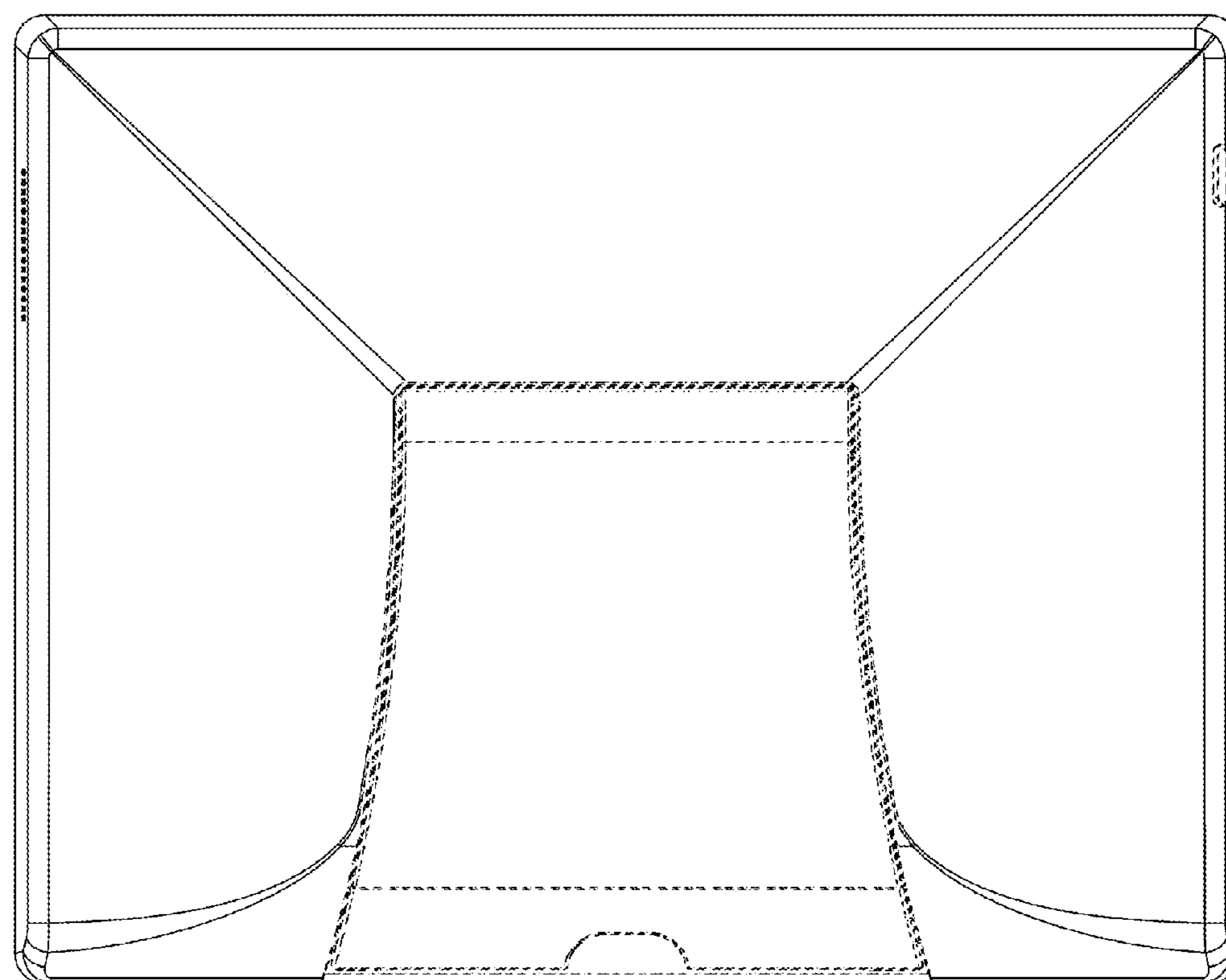


Figure 16

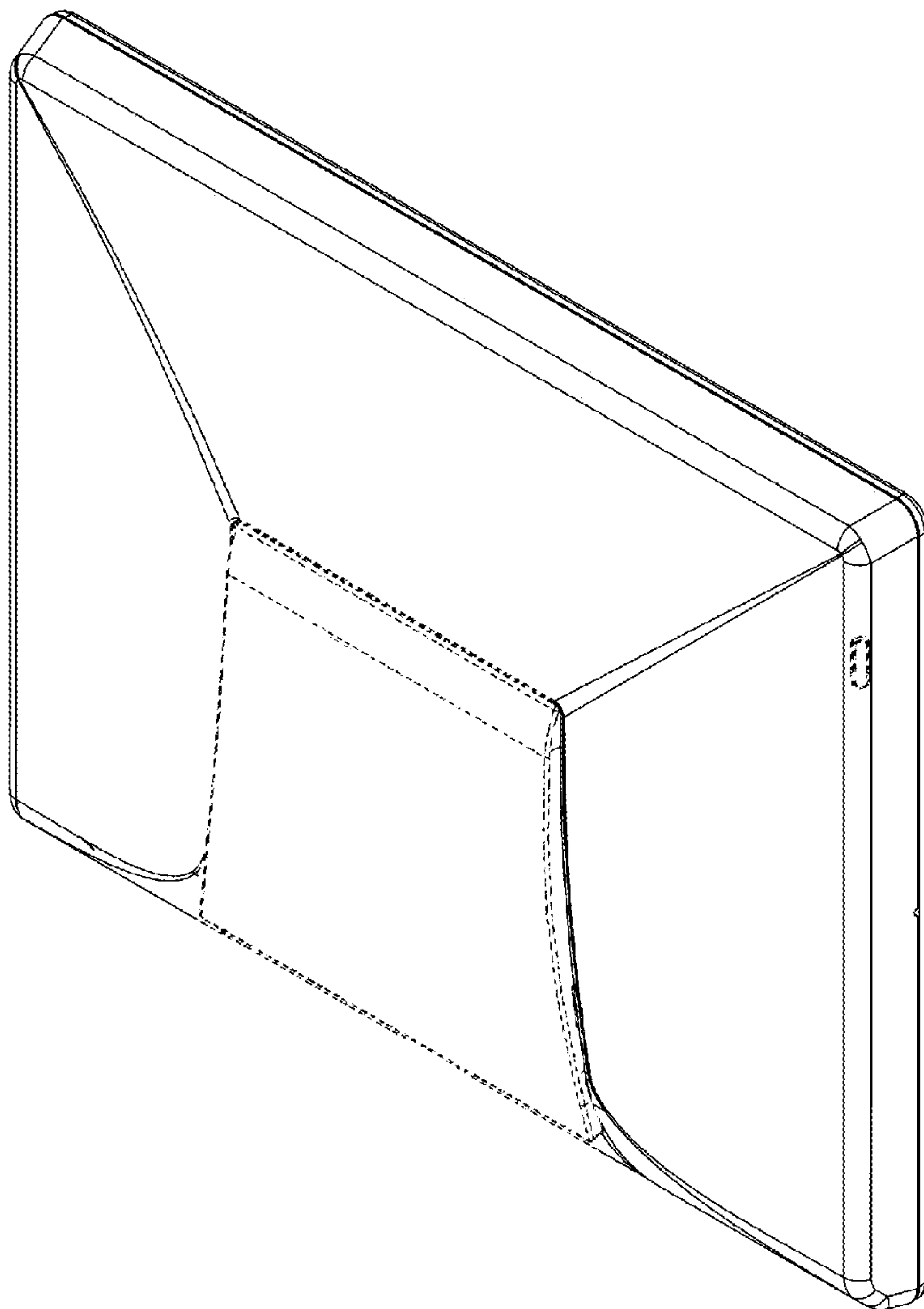


Figure 17