



US00D680523S

(12) **United States Design Patent**  
**Tu**

(10) **Patent No.:** **US D680,523 S**  
(45) **Date of Patent:** **\*\* Apr. 23, 2013**

(54) **ROTATING DISPLAY STAND**

(76) Inventor: **Guang Rong Tu**, Shenzhen (CN)

(\*\*) Term: **14 Years**

(21) Appl. No.: **29/418,622**

(22) Filed: **Apr. 18, 2012**

(51) **LOC (9) Cl.** ..... **14-03**

(52) **U.S. Cl.**  
USPC ..... **D14/253**

(58) **Field of Classification Search** ..... D14/140,  
D14/142, 147-149, 217, 240, 251-253, 432,  
D14/434, 447, 452, 454, 496, 144, 451, 457,  
D14/238.1, 239, 250, 137; D8/363, 373,  
D8/396, 355; D12/415, 418, 422; 248/206.2-206.4,  
248/220.21, 279.1, 59, 74.1, 74.2; 379/426,  
379/446, 454, 455; D13/107-108; D16/242;  
D21/333; 361/679.3; 320/115; 455/572,  
455/569.2, 575.9; D3/218, 201; D6/466;  
D10/74; 439/529

See application file for complete search history.

(56) **References Cited**

**U.S. PATENT DOCUMENTS**

D396,223 S \* 7/1998 Brunner et al. .... D14/451  
D564,220 S \* 3/2008 Dixon ..... D3/218  
D592,188 S \* 5/2009 Huang ..... D14/447

7,789,355 B2 \* 9/2010 Gan et al. .... 248/157  
D639,816 S \* 6/2011 Bau ..... D14/447  
D640,707 S \* 6/2011 Yeh ..... D14/447  
D641,610 S \* 7/2011 Sedalo ..... D8/354  
D653,668 S \* 2/2012 Song et al. .... D14/447  
D657,740 S \* 4/2012 Prat-Pfister ..... D13/108

**FOREIGN PATENT DOCUMENTS**

CN 301728407 S 11/2011  
CN 301785739 S 1/2012

\* cited by examiner

*Primary Examiner* — Raphael Barkai

*Assistant Examiner* — Randall Gholson

(74) *Attorney, Agent, or Firm* — Amster Rothstein & Ebenstein LLP

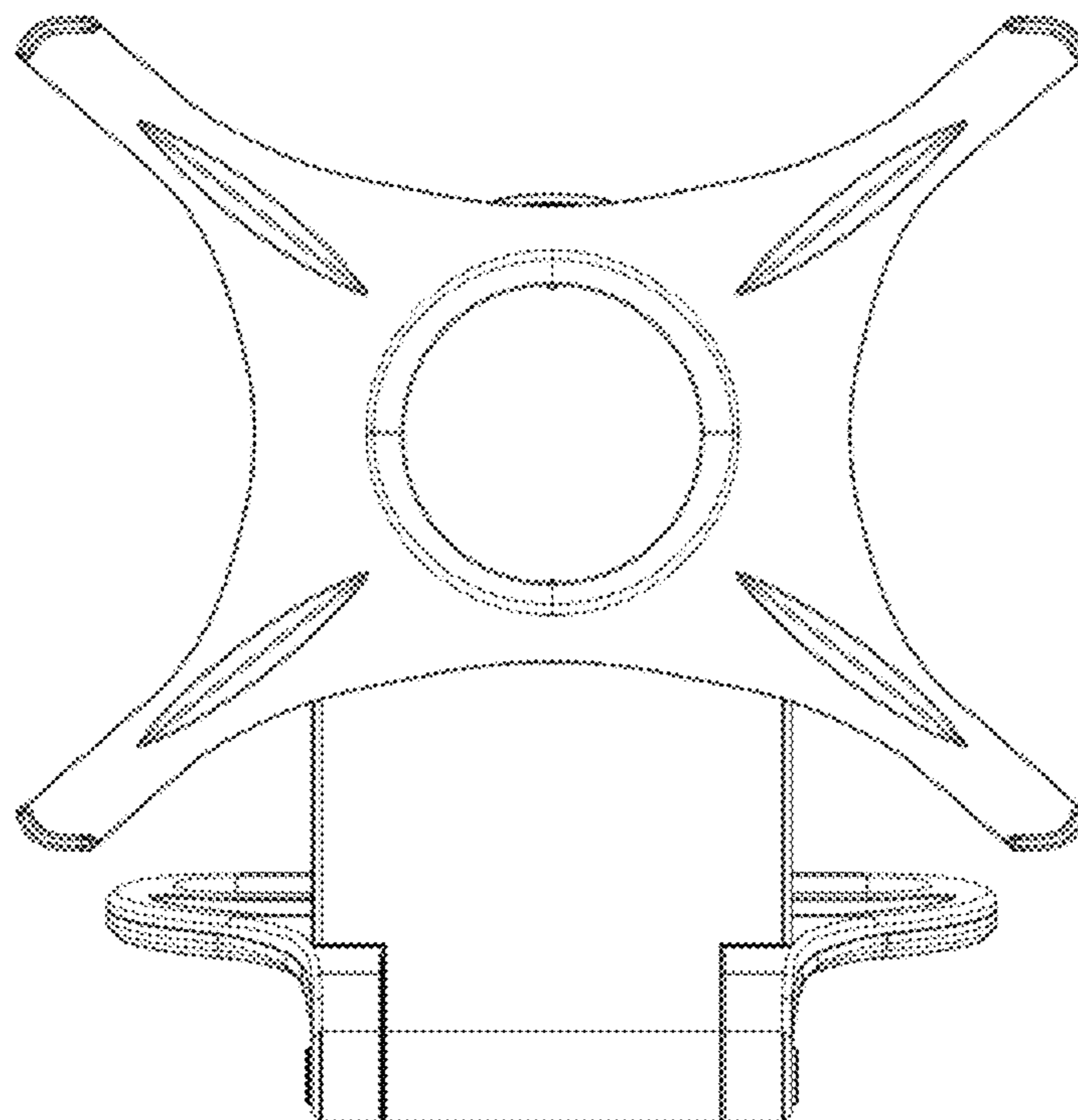
(57) **CLAIM**

The ornamental design for a rotating display stand, as shown and described.

**DESCRIPTION**

FIG. 1 shows a front view;  
FIG. 2 shows a back view;  
FIG. 3 shows a left side view;  
FIG. 4 shows a right side view;  
FIG. 5 shows a top plan view;  
FIG. 6 shows an upward underside view; and,  
FIG. 7 depicts a perspective view.

**1 Claim, 7 Drawing Sheets**



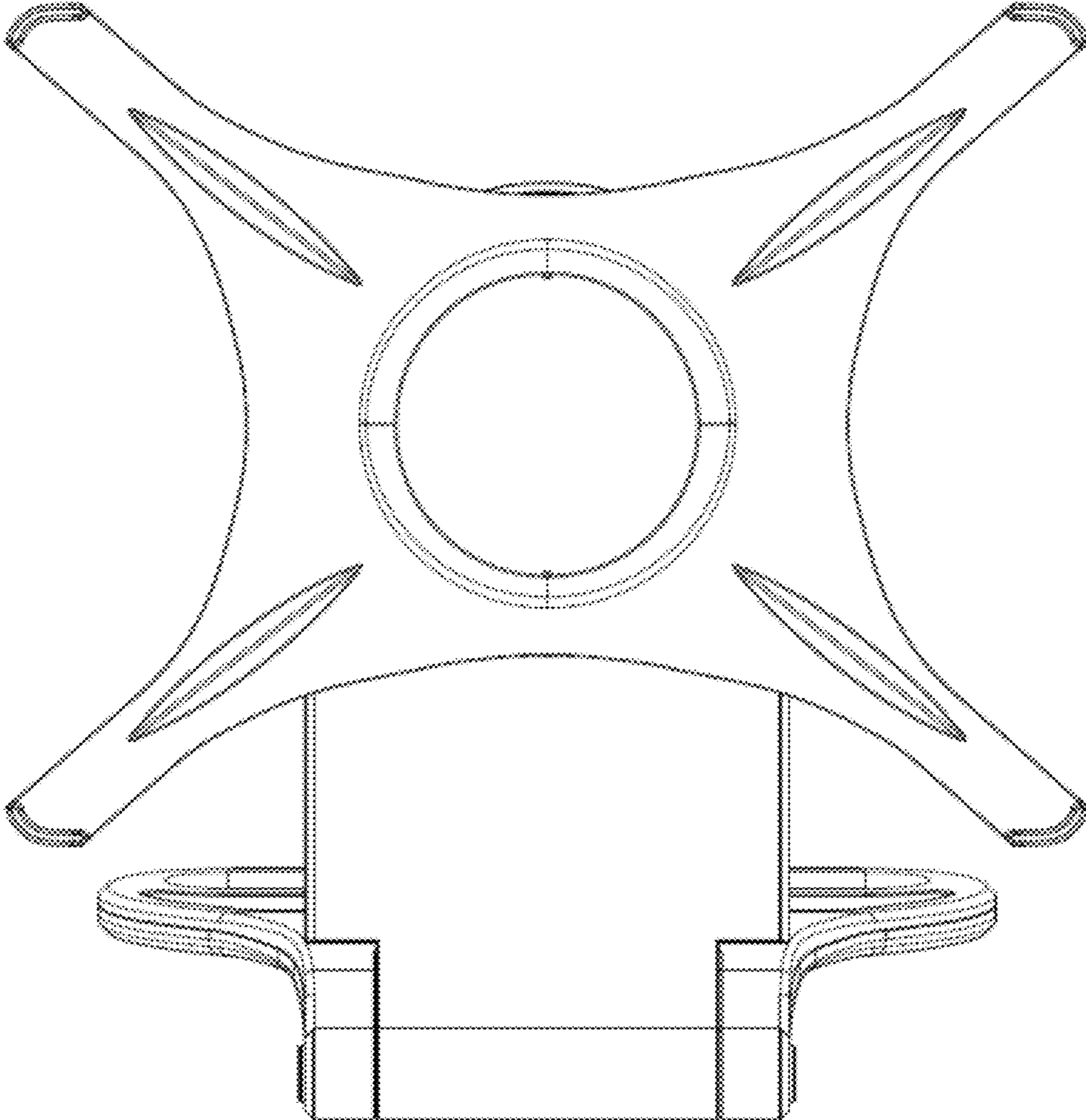


FIG. 1

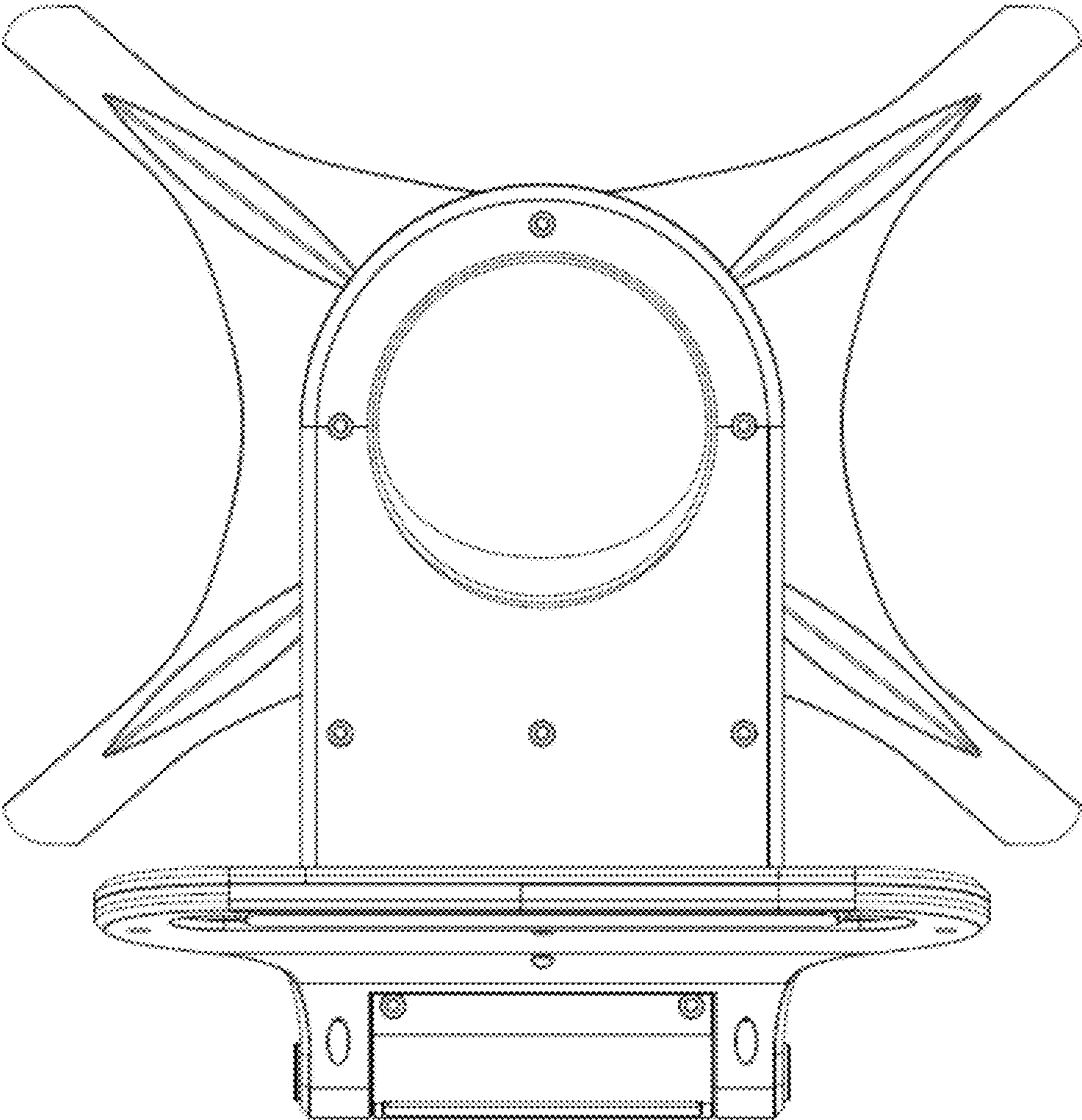


FIG. 2

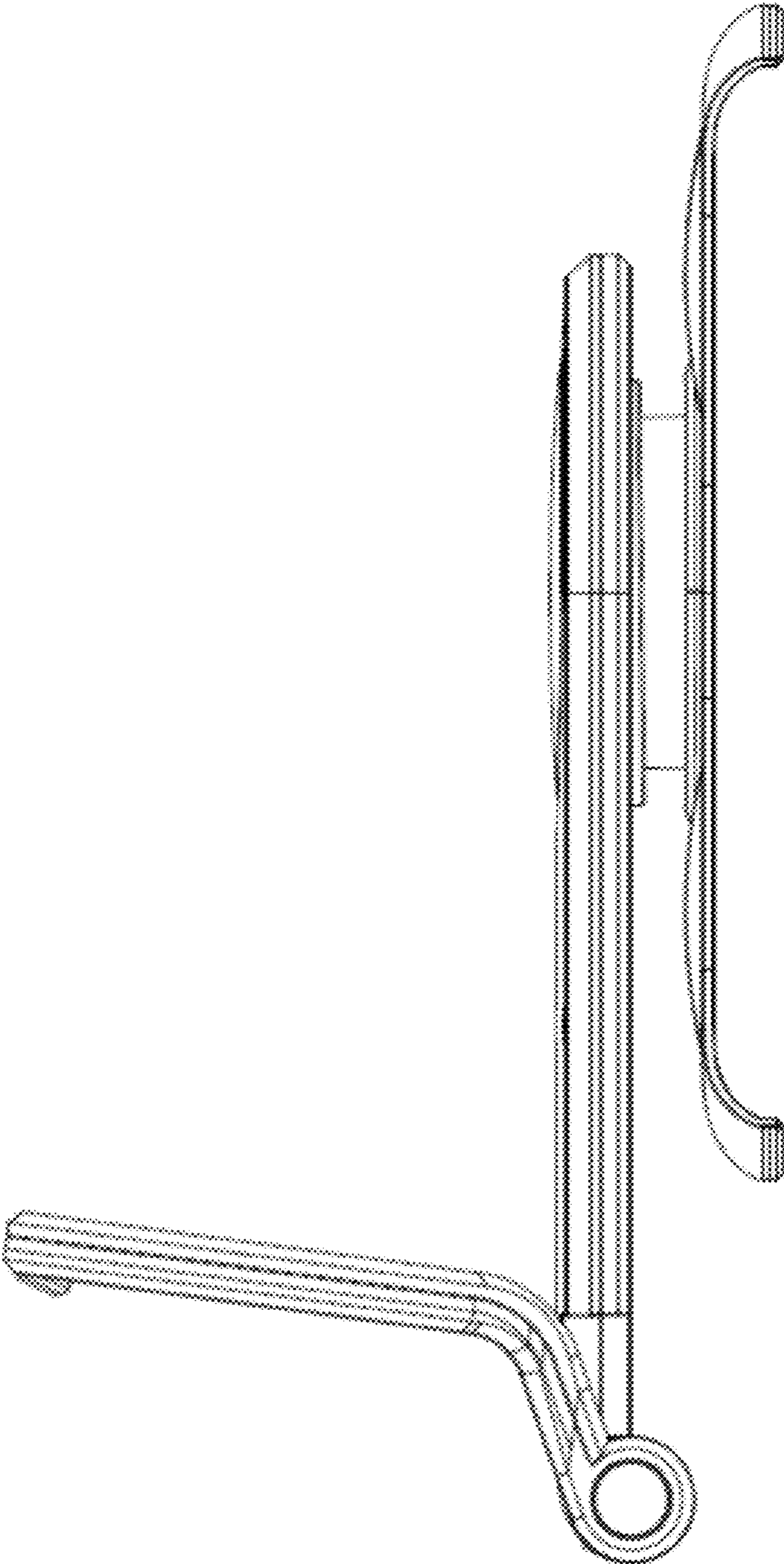


FIG. 3

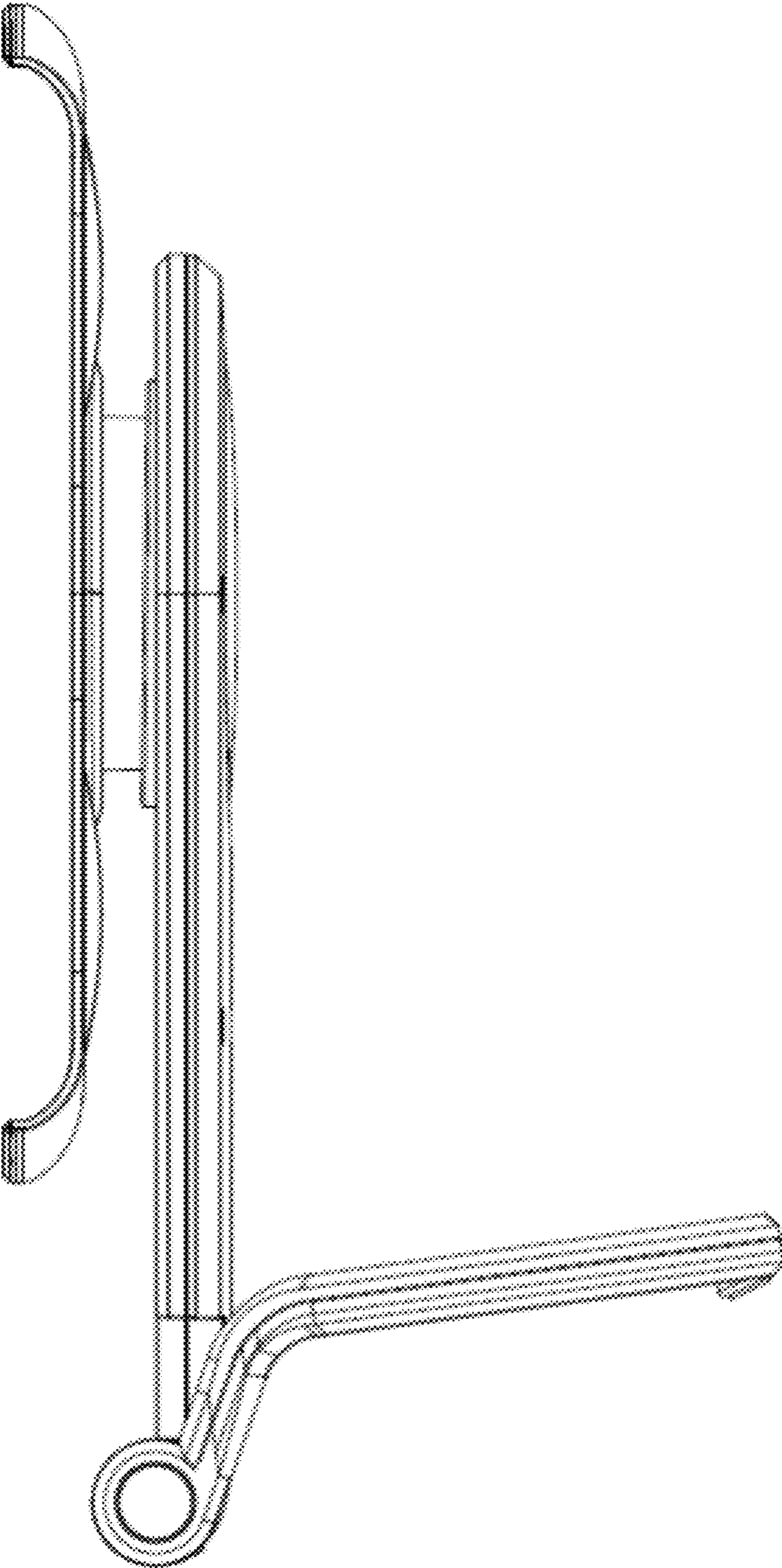


FIG. 4

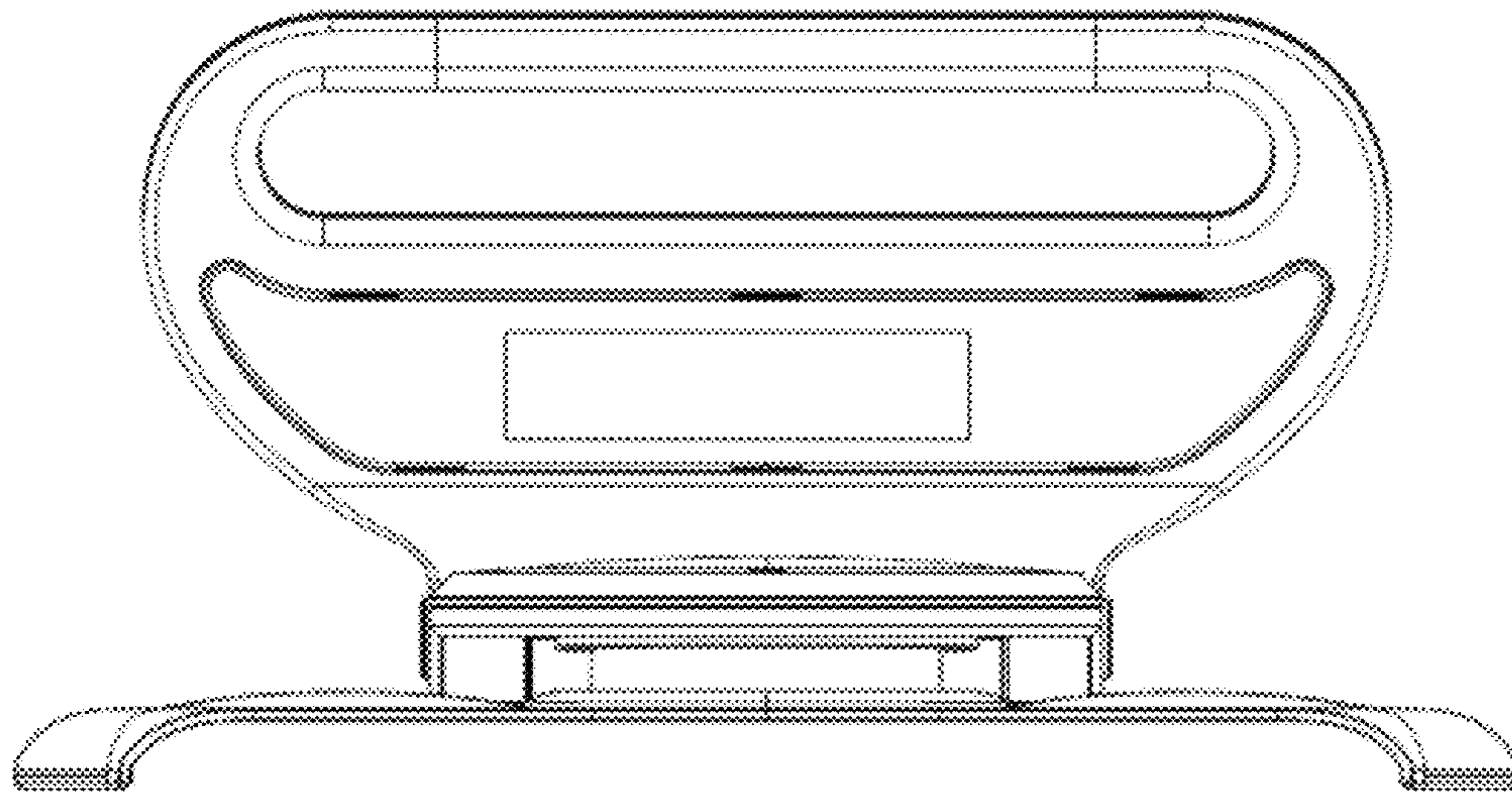


FIG. 5

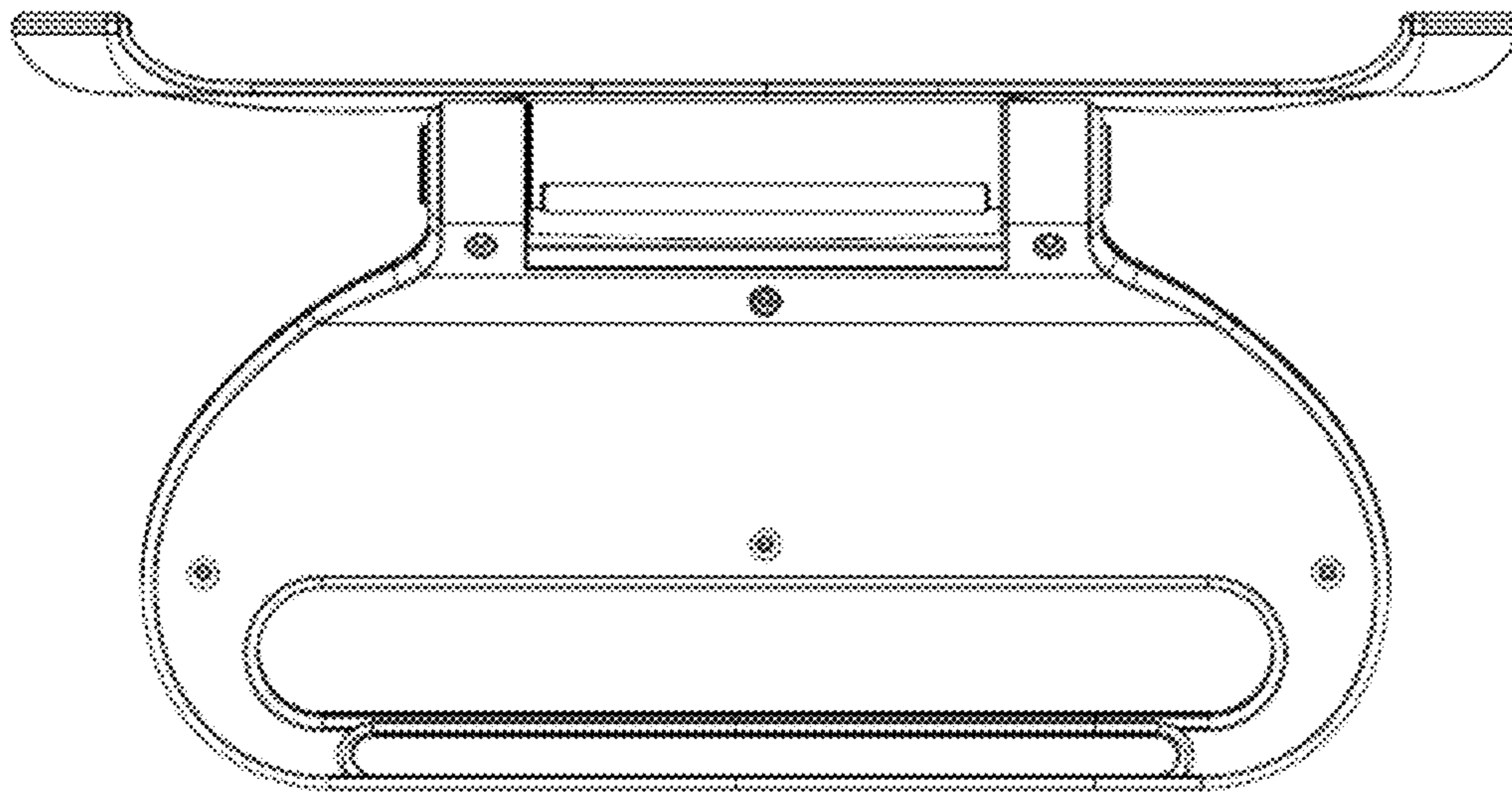


FIG. 6

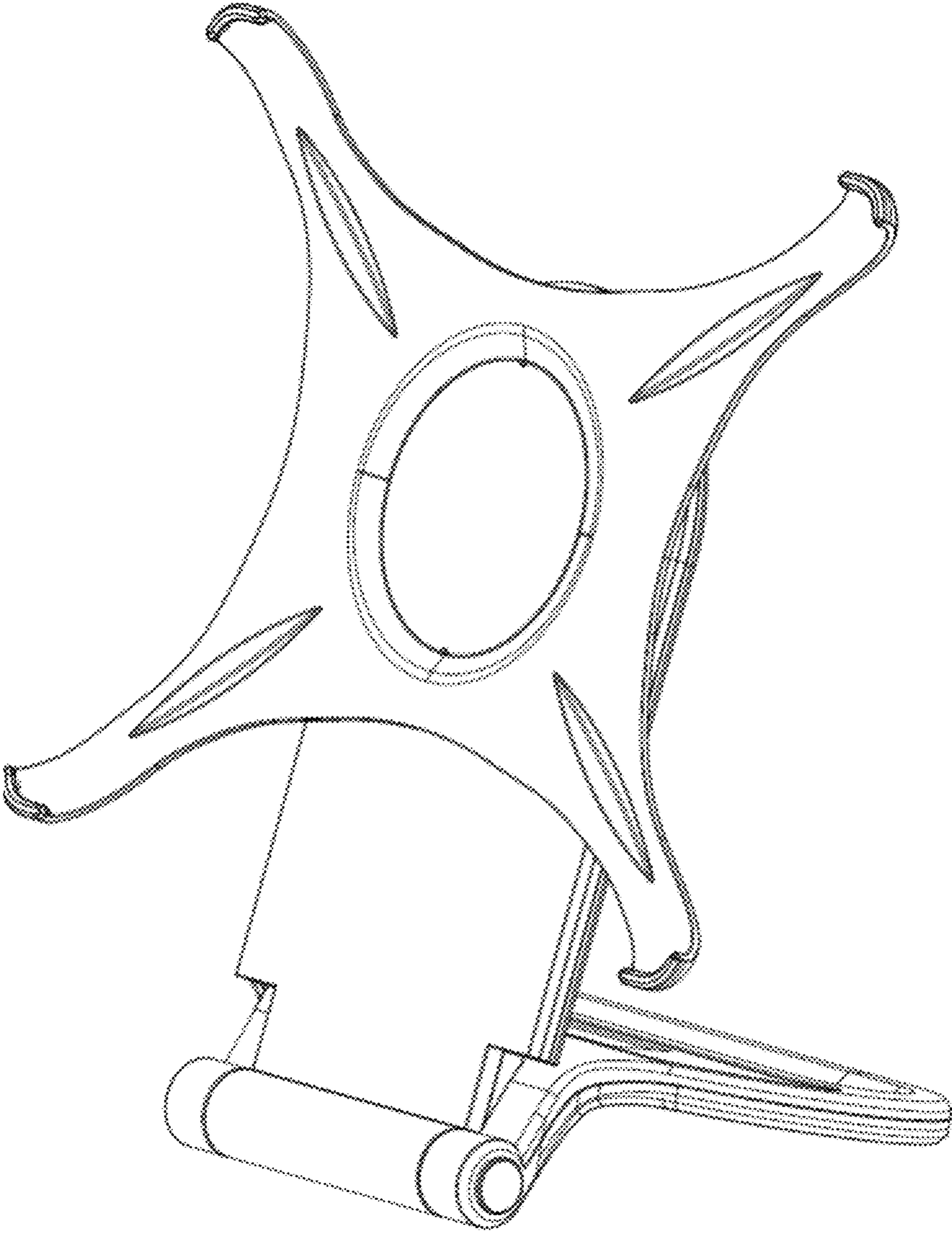


FIG. 7