

US00D680522S

(12) **United States Design Patent**
Melanson

(10) **Patent No.:** **US D680,522 S**

(45) **Date of Patent:** **** Apr. 23, 2013**

(54) **CASE FOR ELECTRONIC DEVICE**

(71) Applicant: **Otter Products, LLC**, Fort Collins, CO
(US)

(72) Inventor: **Christopher Melanson**, Fort Collins,
CO (US)

(73) Assignee: **Otter Products, LLC**, Fort Collins, CO
(US)

(**) Term: **14 Years**

(21) Appl. No.: **29/434,015**

(22) Filed: **Oct. 9, 2012**

Related U.S. Application Data

(63) Continuation of application No. 29/429,927, filed on
Aug. 19, 2012, now Pat. No. Des. 677,251.

(51) **LOC (9) Cl.** **14-03**

(52) **U.S. Cl.**
USPC **D14/250**

(58) **Field of Classification Search** D14/250–253,
D14/440, 203.3–203.7, 217, 496, 248, 238.1,
D14/240, 447, 341–347; D13/103, 107–108,
D13/119; 220/4.02; 248/309.1, 371, 176.3,
248/668; 361/679.56, 679.3, 679.25, 816;
379/426, 433.11, 455; 455/575.1, 575.8;
206/305, 320; 345/173; D3/201, 218, 247,
D3/269, 273, 301, 303; D8/356; D16/218,
D16/219, 220

See application file for complete search history.

(56) **References Cited**

U.S. PATENT DOCUMENTS

D437,206 S * 2/2001 Dukes D8/356
D574,364 S * 8/2008 Anthony et al. D14/217

D603,602 S * 11/2009 Richardson et al. D3/218
7,789,228 B2 * 9/2010 Zenzai 206/316.2
D627,385 S * 11/2010 Tainaka D16/219
D642,170 S * 7/2011 Johnson et al. D14/250
D649,536 S * 11/2011 Richardson et al. D14/250
D652,855 S * 1/2012 Tsukamoto et al. D16/219
D654,489 S * 2/2012 Weller et al. D14/250
D663,263 S * 7/2012 Gupta et al. D13/103
D664,091 S * 7/2012 Pliner et al. D13/108
D665,386 S * 8/2012 Fathollahi D14/250
D671,493 S * 11/2012 Hasbrook et al. D13/119
D673,159 S * 12/2012 Mccarthy et al. D14/440
D673,554 S * 1/2013 Simmer D14/250
D675,606 S * 2/2013 Adelman et al. D14/250
D676,432 S * 2/2013 Hasbrook et al. D14/250
2011/0228458 A1 * 9/2011 Richardson et al. 361/679.01

OTHER PUBLICATIONS

Review of OtterBox Defender Case for iPhone 5, published on Sep.
21, 2012, <URL:http://www.youtube.com/watch?v=IIYaYYaqO_8>,
retrieved from internet on Feb. 22, 2013.*

Ballistic Case for iPhone 5, announced in article published on Sep.
12, 2012, <URL:http://www.technologytell.com/apple/103625/
iphone-5-cases-round-2/>, retrieved from internet on Feb. 23, 2013.*

(Continued)

Primary Examiner — Carla Jobe Wright

(57) **CLAIM**

The ornamental design for a case for electronic device, as
shown and described.

DESCRIPTION

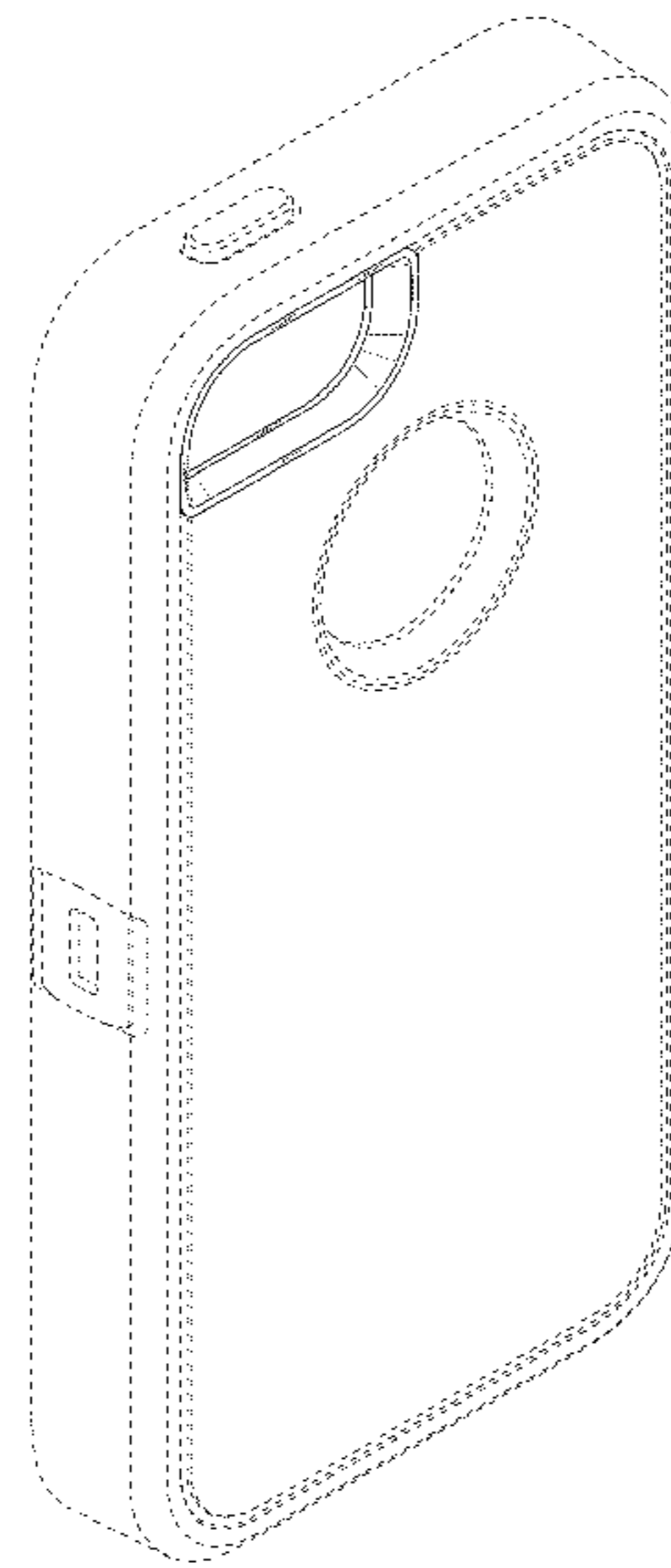
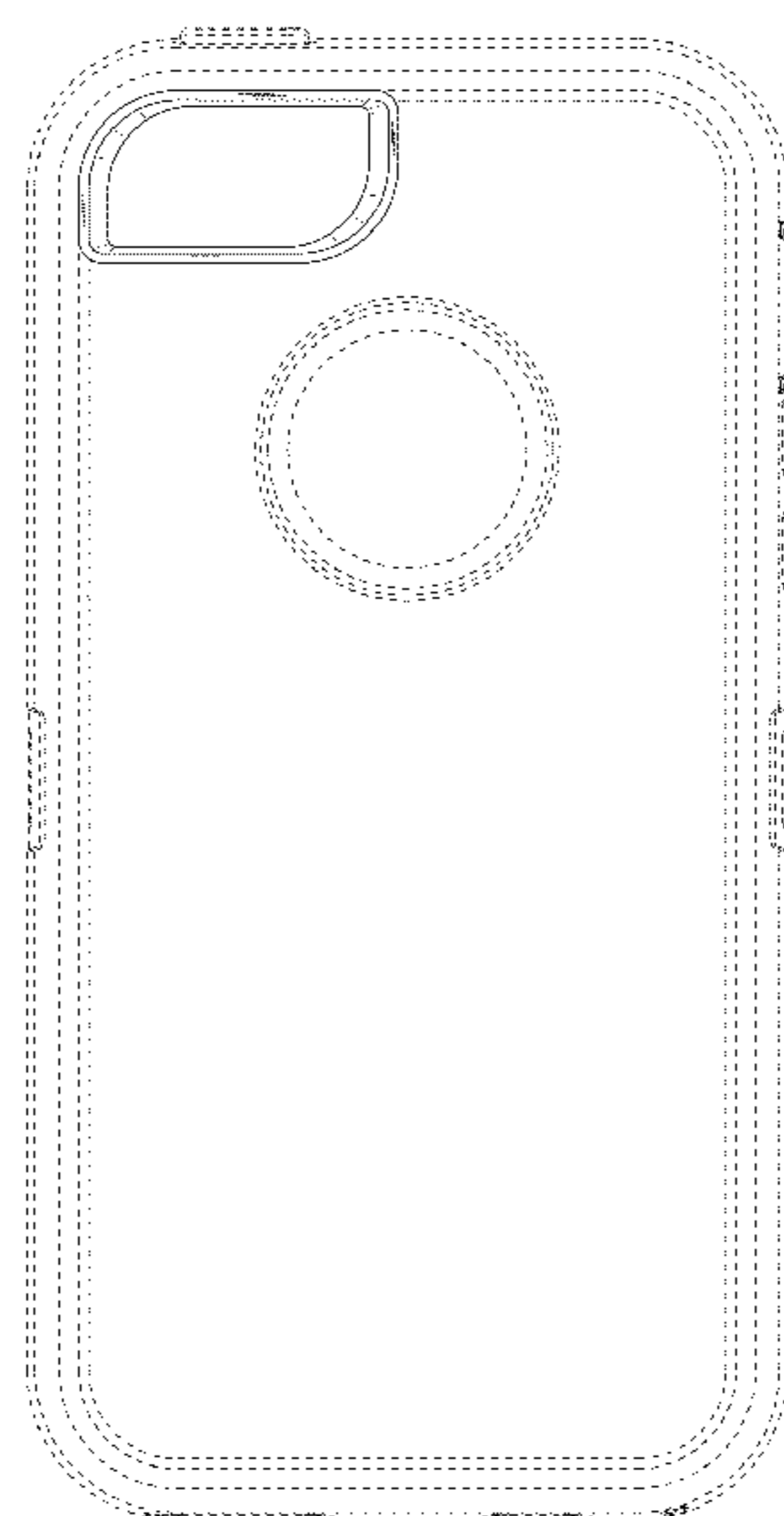
FIG. 1 is a first rear isometric view of a case for electronic
device showing our new design;

FIG. 2 is a rear isometric view thereof; and,

FIG. 3 is a second rear isometric view thereof.

In the drawings, the broken lines depict unclaimed environ-
ment.

1 Claim, 3 Drawing Sheets



OTHER PUBLICATIONS

OtterBox iPhone 5 Commuter Series Case Review, published on Nov. 6, 2012, <URL:<http://www.gottabemobile.com/2012/11/06/otterbox-iphone-5-commuter-series-case-review/>>, retrieved from internet on Feb. 23, 2013.*

i-Blason Slim Fit Air Jacket Case for iPhone5, announced in article published on Nov. 17, 2012, <URL:<http://www.tripwiremagazine.com/2012/11/cool-iphone-5-cases.html>>, retrieved from internet on Feb. 23, 2013.*

com/2012/11/cool-iphone-5-cases.html>, retrieved from internet on Feb. 23, 2013.*

Rubberized Combo holster Case for Iphone 5, <URL:http://www.alibaba.com/product-gs/641428616/Rubberized_Combo_holster_Case_For_Iphone.html>, retrieved from internet on Feb. 23, 2013.*

* cited by examiner

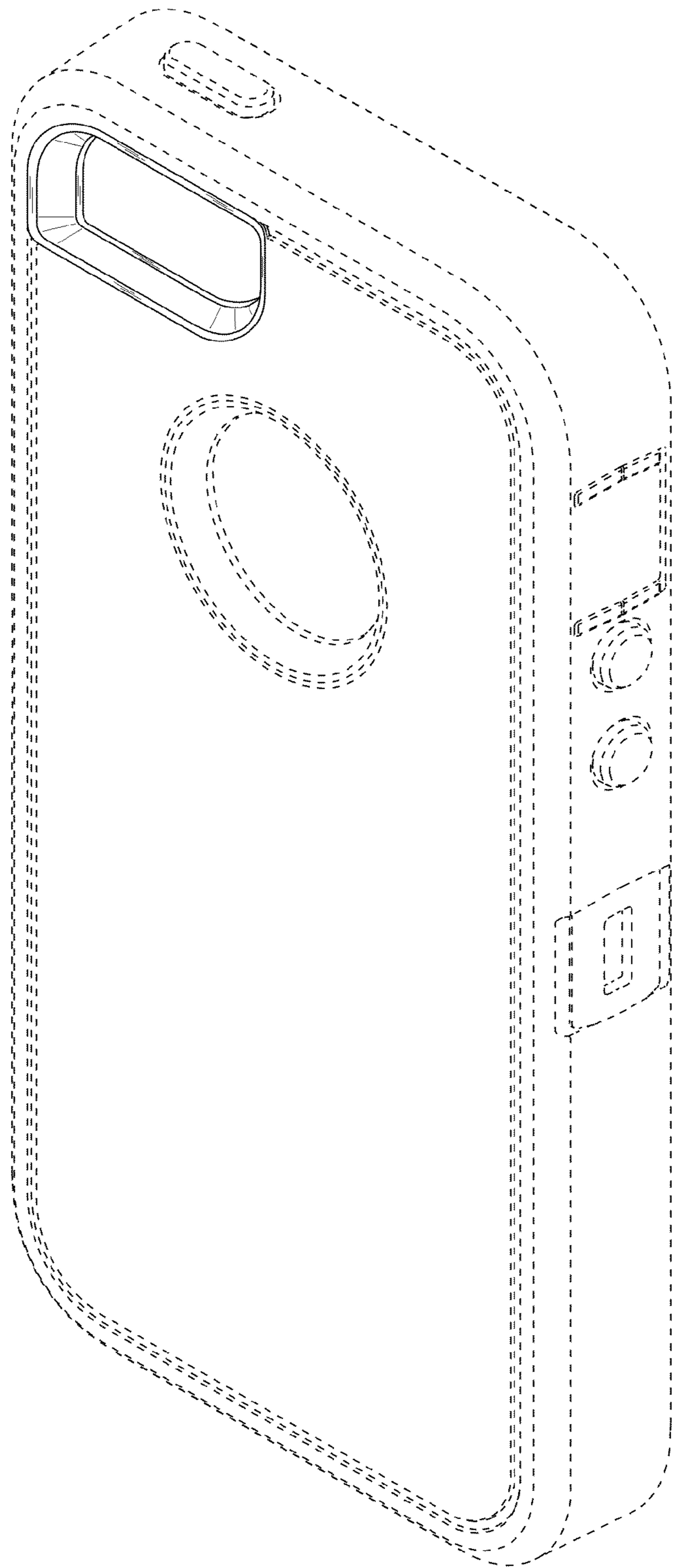


FIG. 1

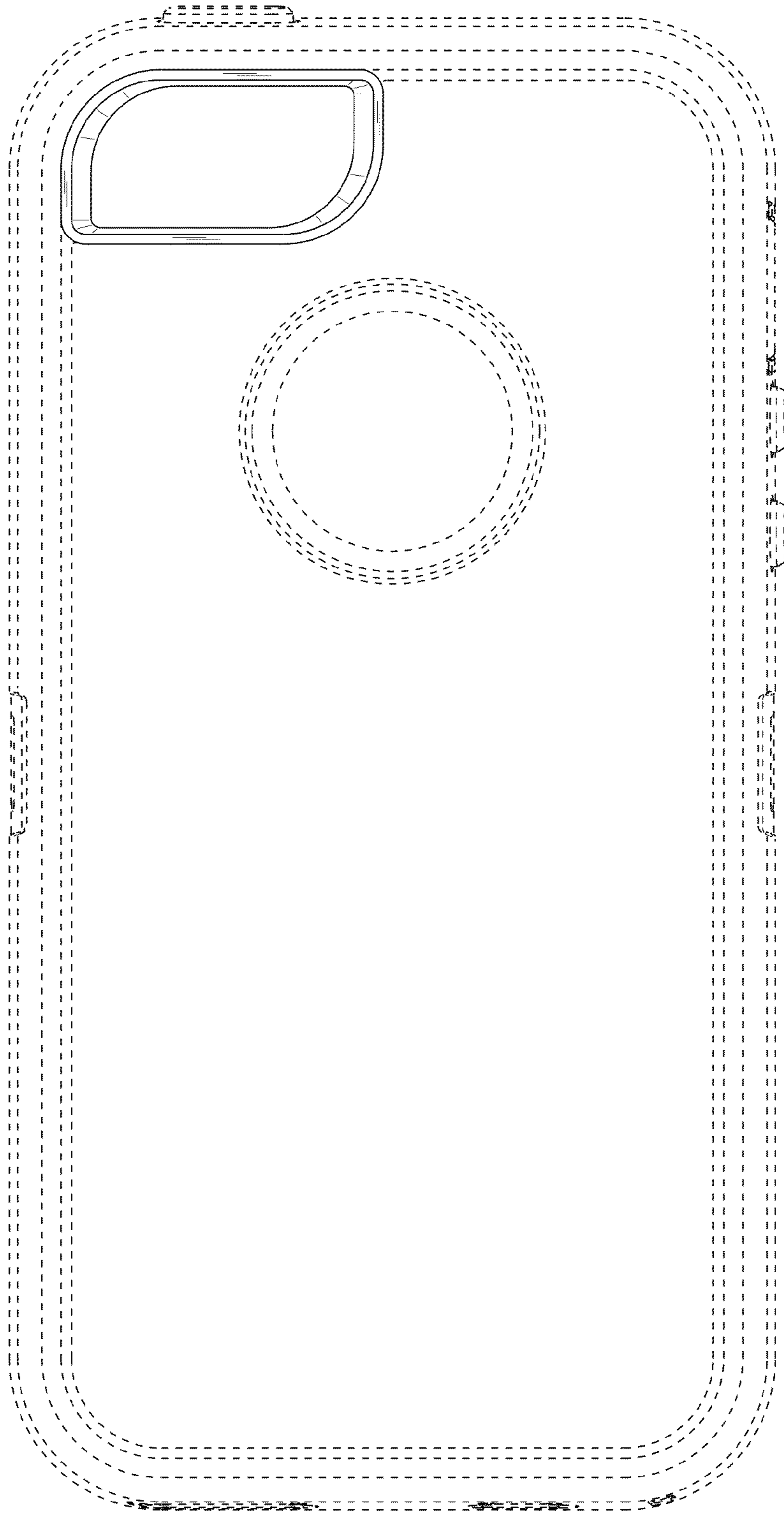


FIG. 2

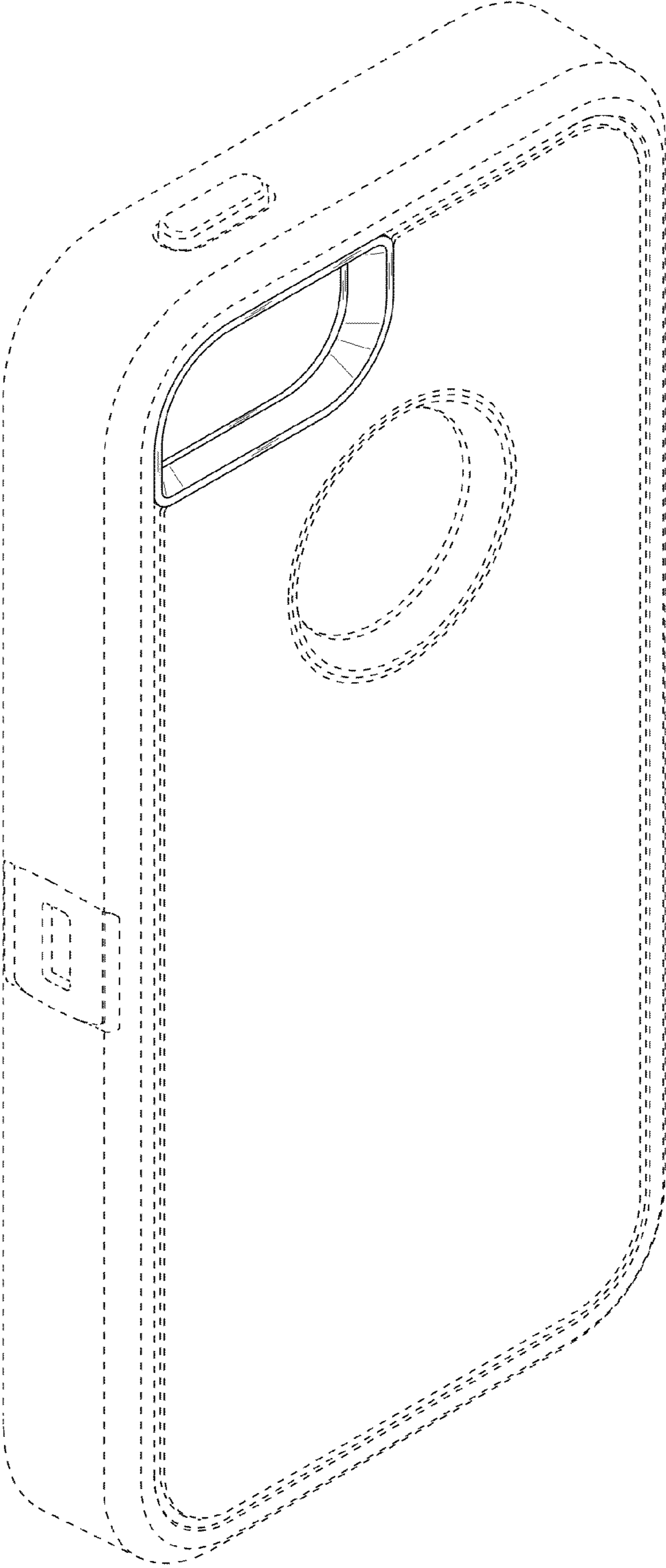


FIG. 3