



US00D680516S

(12) **United States Design Patent**
Lee

(10) **Patent No.:** **US D680,516 S**
(45) **Date of Patent:** **** Apr. 23, 2013**

(54) **HEADPHONES**

(75) Inventor: **Noel Lee**, Las Vegas, NV (US)

(73) Assignee: **Monster, LLC**, Las Vegas, NV (US)

(**) Term: **14 Years**

(21) Appl. No.: **29/410,539**

(22) Filed: **Jan. 9, 2012**

(51) **LOC (9) Cl.** **14-01**

(52) **U.S. Cl.**

USPC **D14/205**

(58) **Field of Classification Search** D14/205,
D14/206, 223; D29/112; 2/209; 181/129,
181/130, 135; 379/430, 431; 381/380, 381;
455/90.3, 575.2

See application file for complete search history.

D643,418 S	8/2011	Lee et al.	
D643,833 S	8/2011	Lee et al.	
D649,527 S *	11/2011	Lee et al.	D14/205
D649,528 S *	11/2011	Park	D14/205
D650,368 S *	12/2011	Lee et al.	D14/223
D651,586 S *	1/2012	Lee et al.	D14/205
D652,821 S *	1/2012	Lee et al.	D14/223
D653,241 S *	1/2012	Lee et al.	D14/223
D658,631 S *	5/2012	Lee et al.	D14/205
D666,580 S *	9/2012	Lee et al.	D14/223
D666,992 S *	9/2012	Lee et al.	D14/205
D671,914 S *	12/2012	Lee et al.	D14/205

* cited by examiner

Primary Examiner — Paula Greene

(74) *Attorney, Agent, or Firm* — LaRiviere, Grubman & Payne, LLP

(57) **CLAIM**

The ornamental design for headphones, as shown and described.

(56) **References Cited**

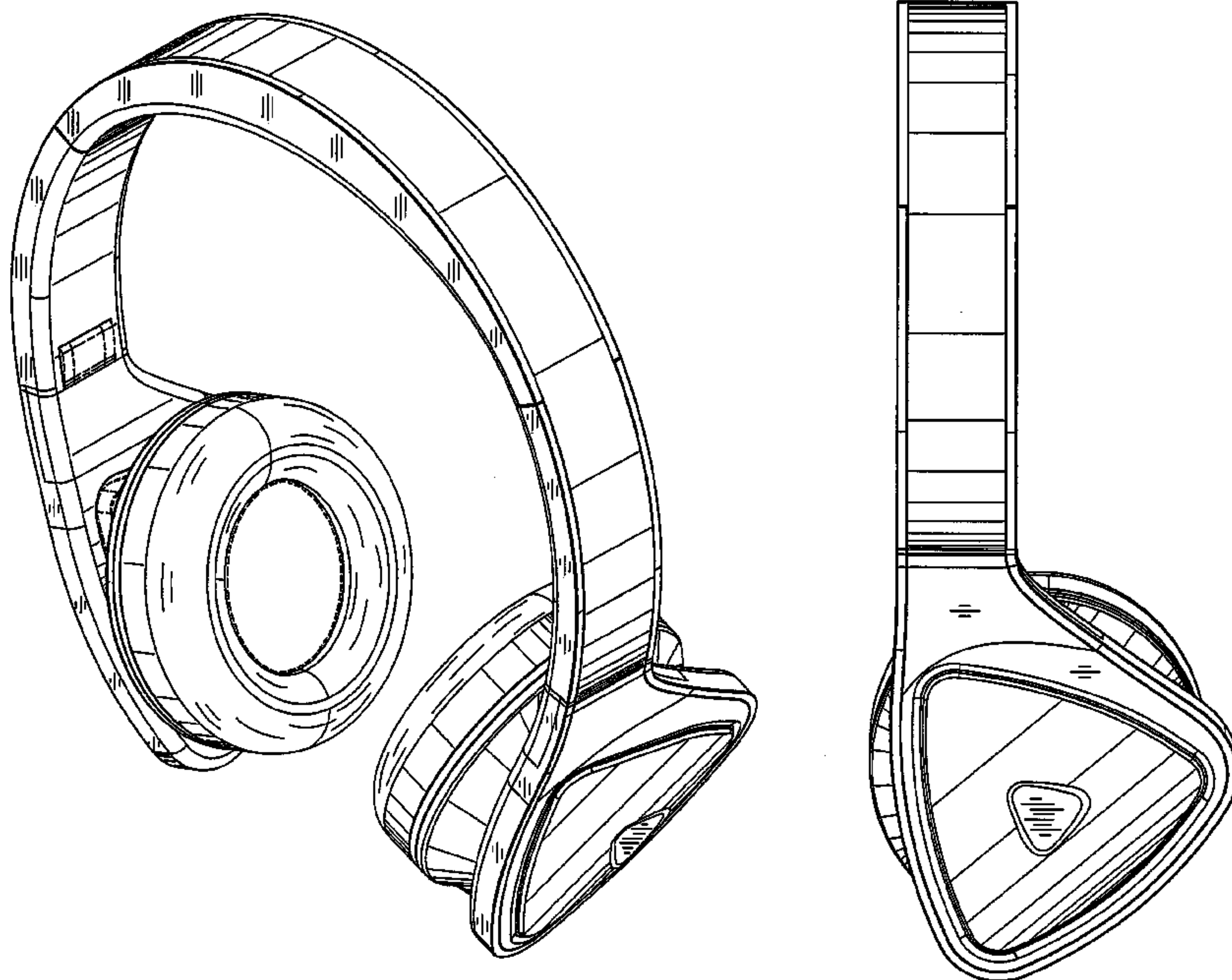
U.S. PATENT DOCUMENTS

D204,886 S *	5/1966	Kliwer	D14/205
D237,307 S *	10/1975	Miyamoto	D14/192
D317,767 S *	6/1991	Banks	D14/205
D583,800 S *	12/2008	Jaakkola et al.	D14/205
D594,441 S	6/2009	Lee et al.	
D598,901 S	8/2009	Lee et al.	
D599,781 S	9/2009	Lee et al.	
D600,675 S	9/2009	Lee et al.	
D625,705 S *	10/2010	Ohori et al.	D14/205
D634,732 S *	3/2011	Kondo et al.	D14/205
D637,182 S	5/2011	Lee et al.	
D641,008 S	7/2011	Lee et al.	
D642,163 S	7/2011	Lee et al.	
D643,417 S	8/2011	Lee et al.	

DESCRIPTION

FIG. 1 is a perspective view of headphones, showing our design;
FIG. 2 is an opposing perspective view thereof;
FIG. 3 is front view thereof;
FIG. 4 is a rear view thereof;
FIG. 5 is a side view thereof;
FIG. 6 is an opposing side view thereof;
FIG. 7 is a top view thereof; and,
FIG. 8 is a bottom view thereof.
The broken lines showing the environment are for illustrative purposes only and form no part of the claimed design.

1 Claim, 6 Drawing Sheets



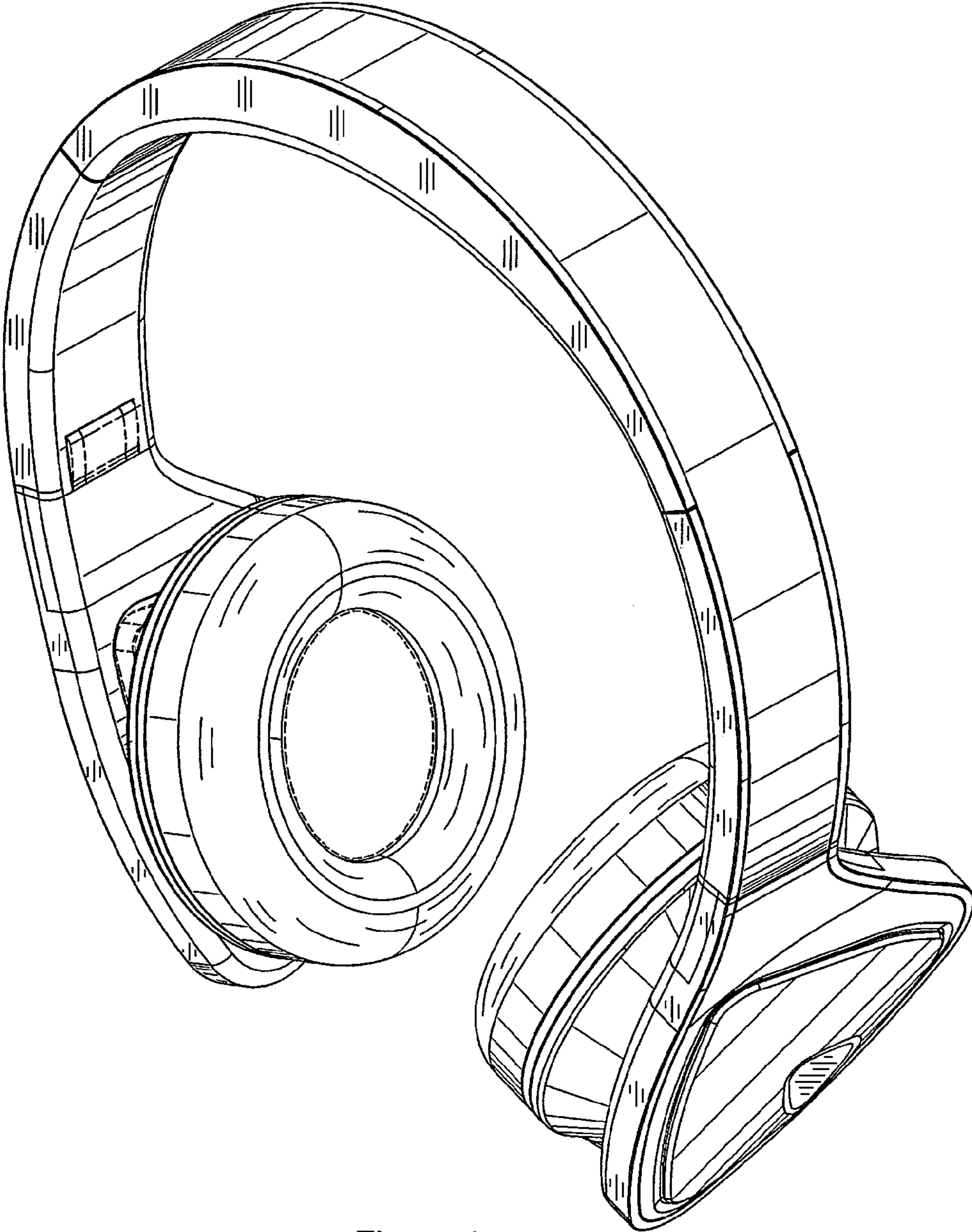


Figure 1

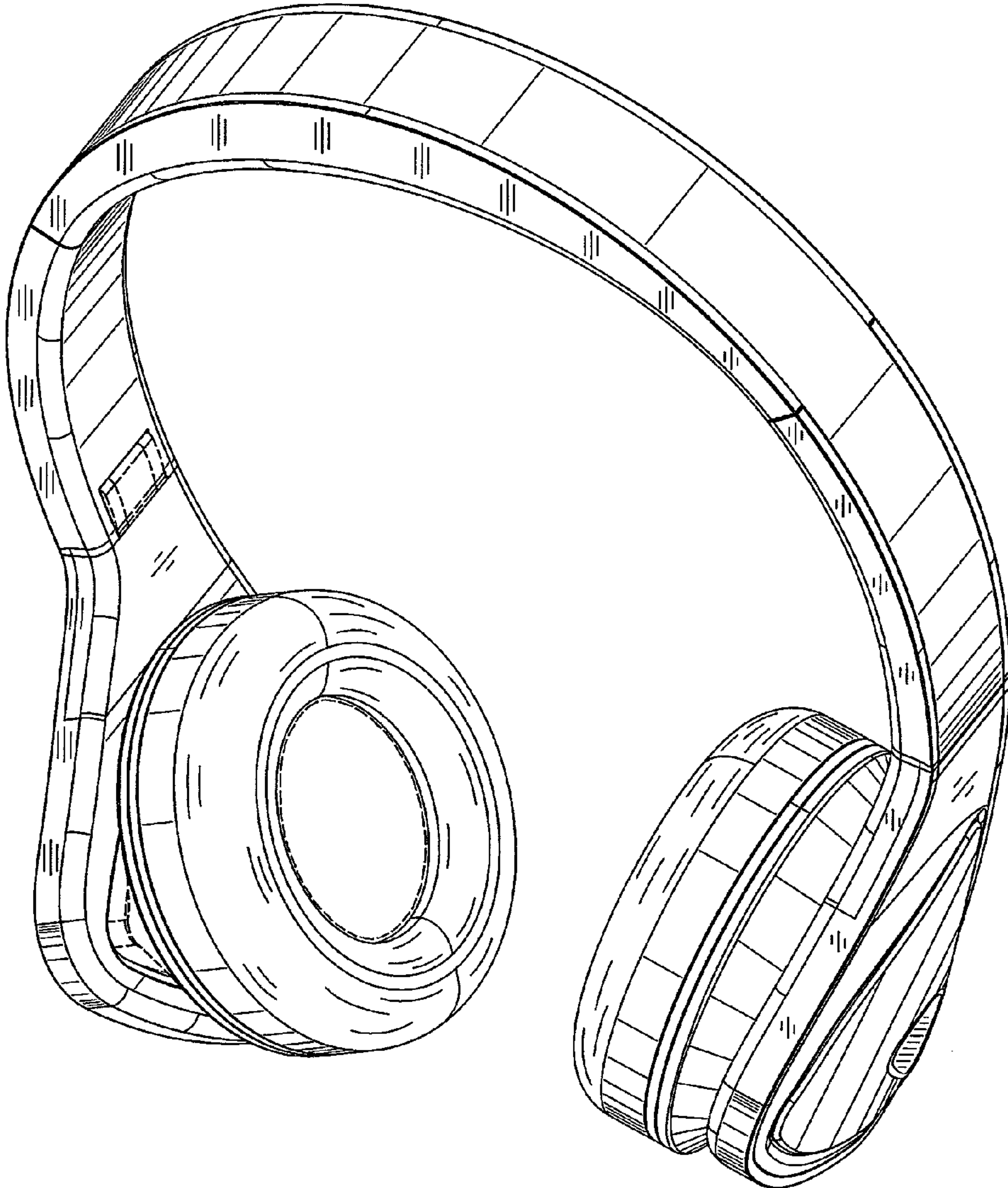


Figure 2

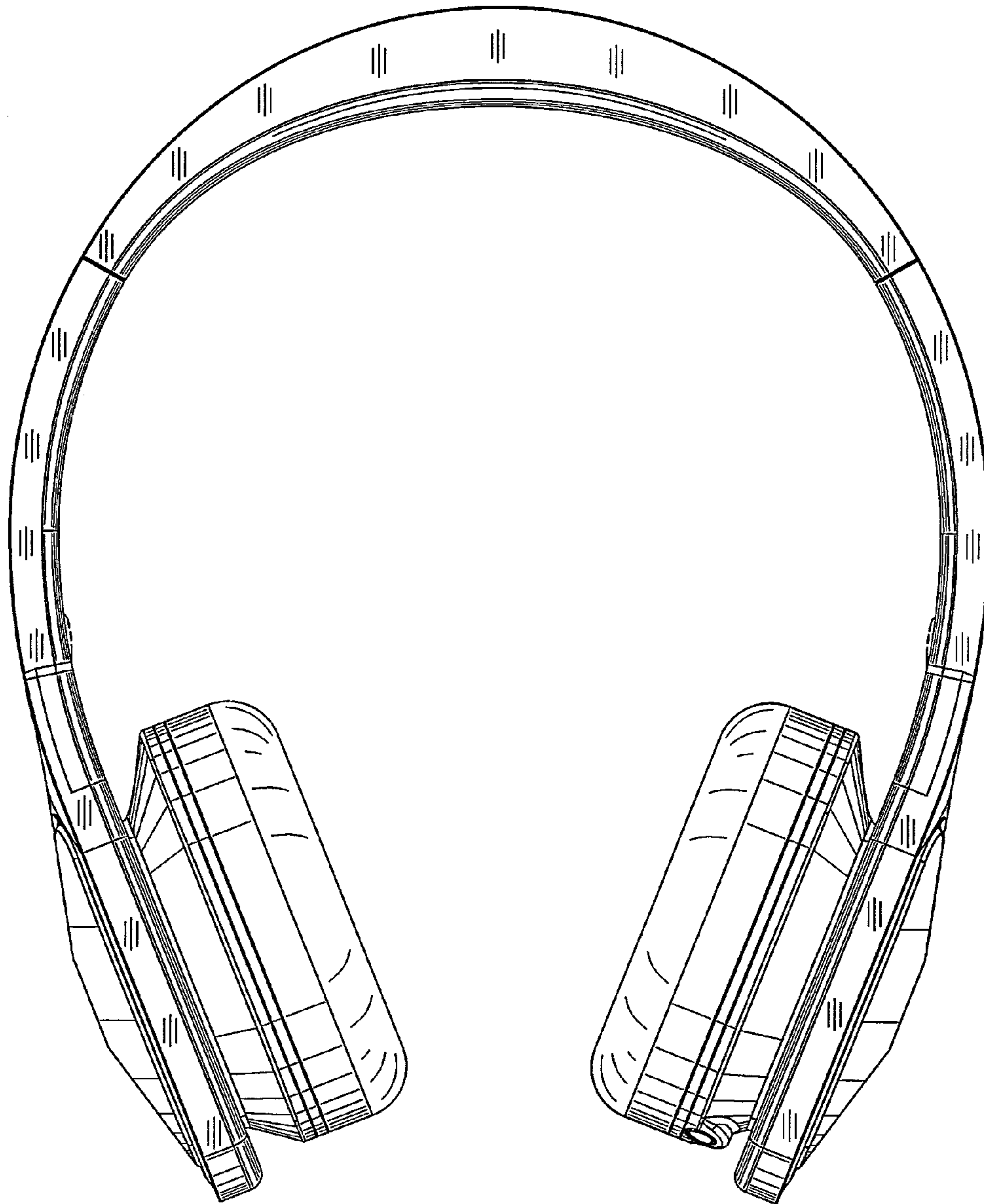


Figure 3

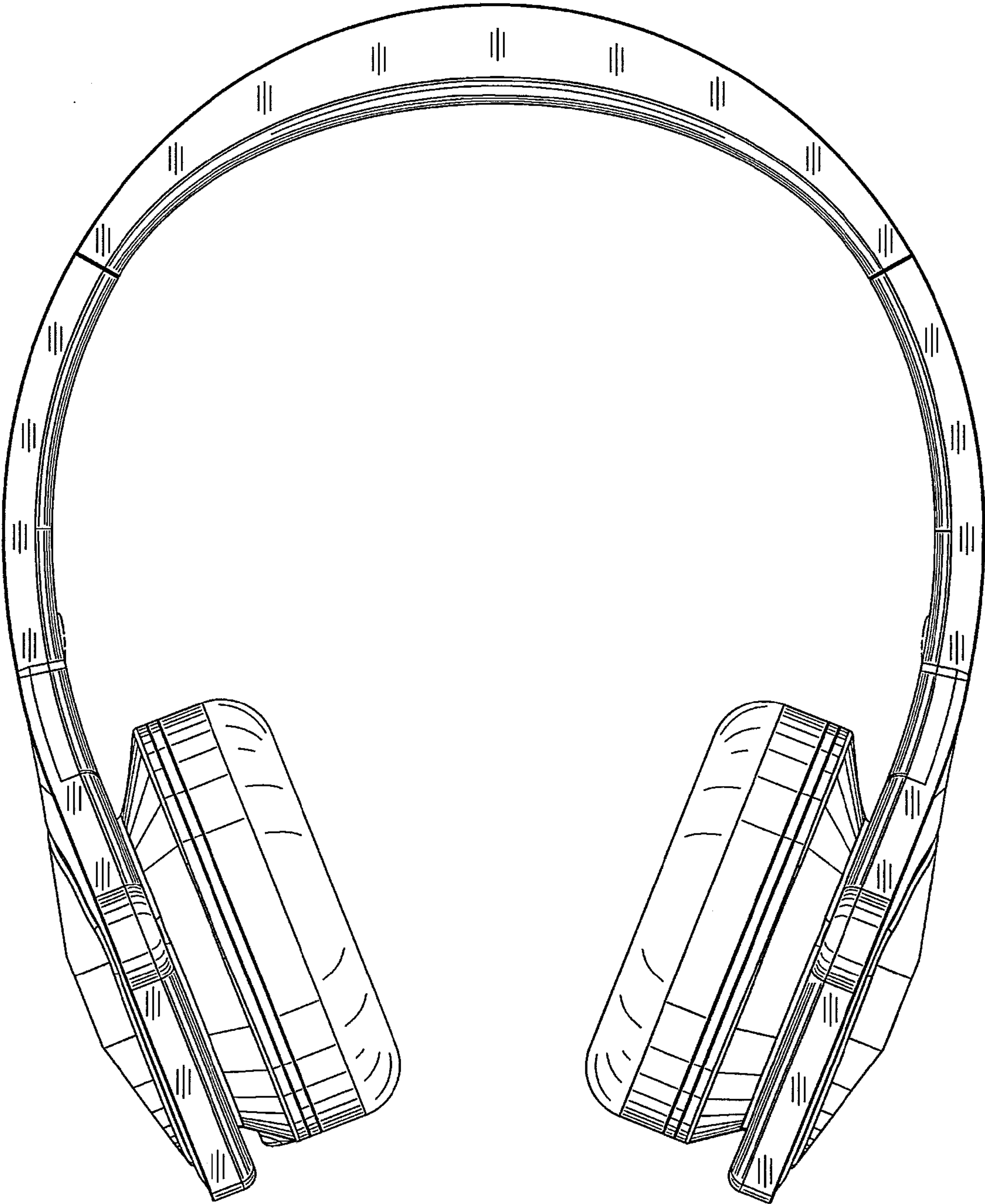


Figure 4

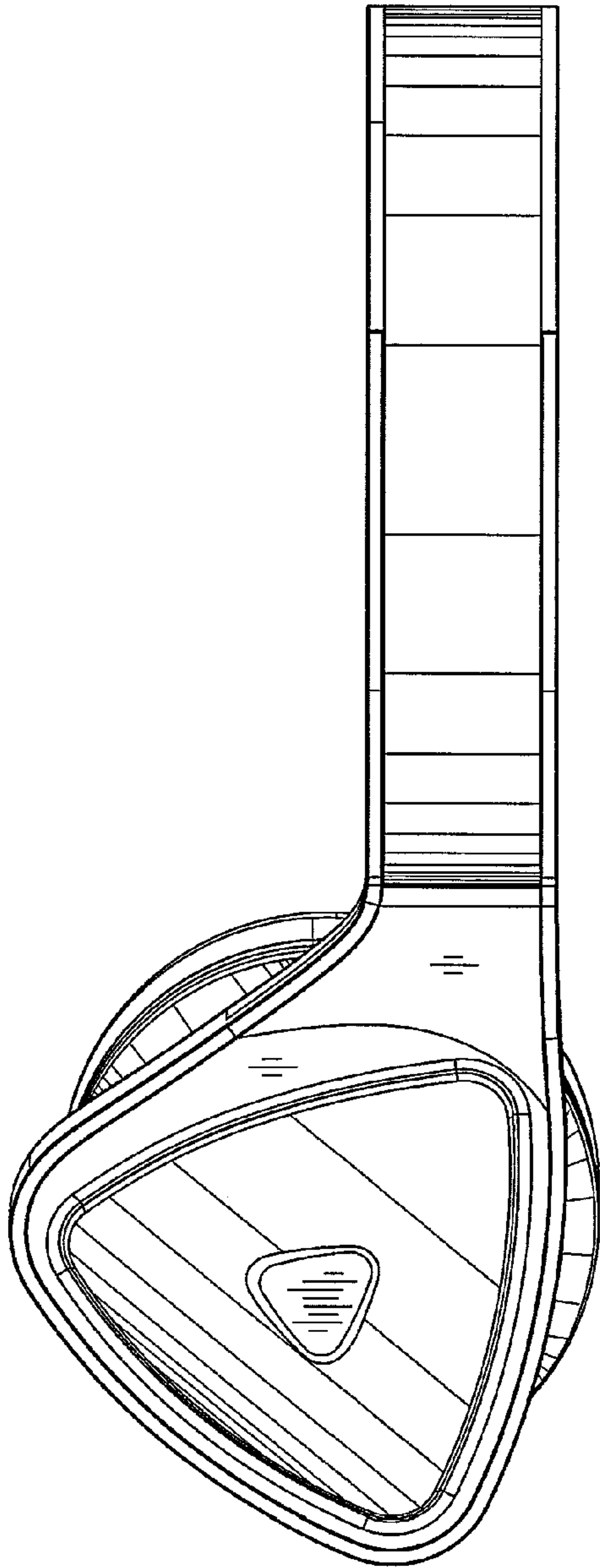


Figure 5

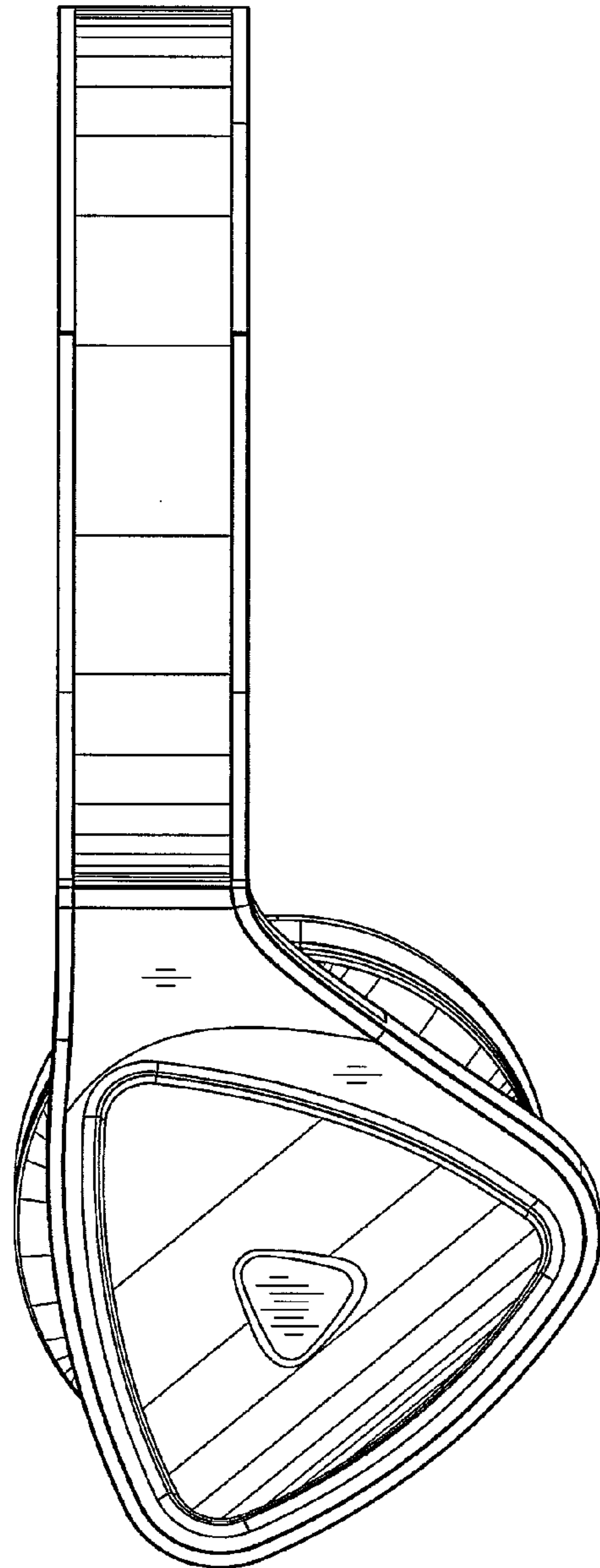


Figure 6

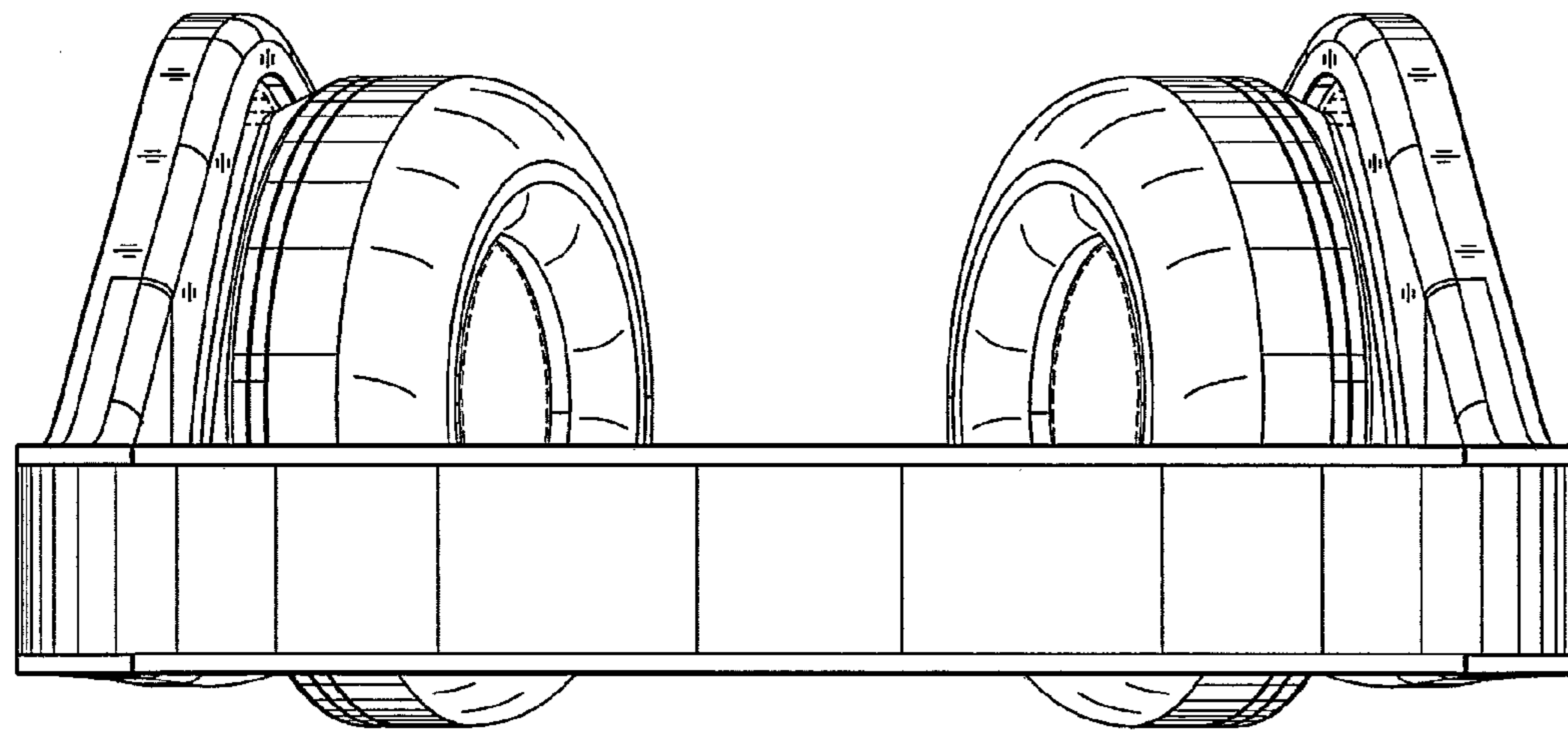


Figure 7

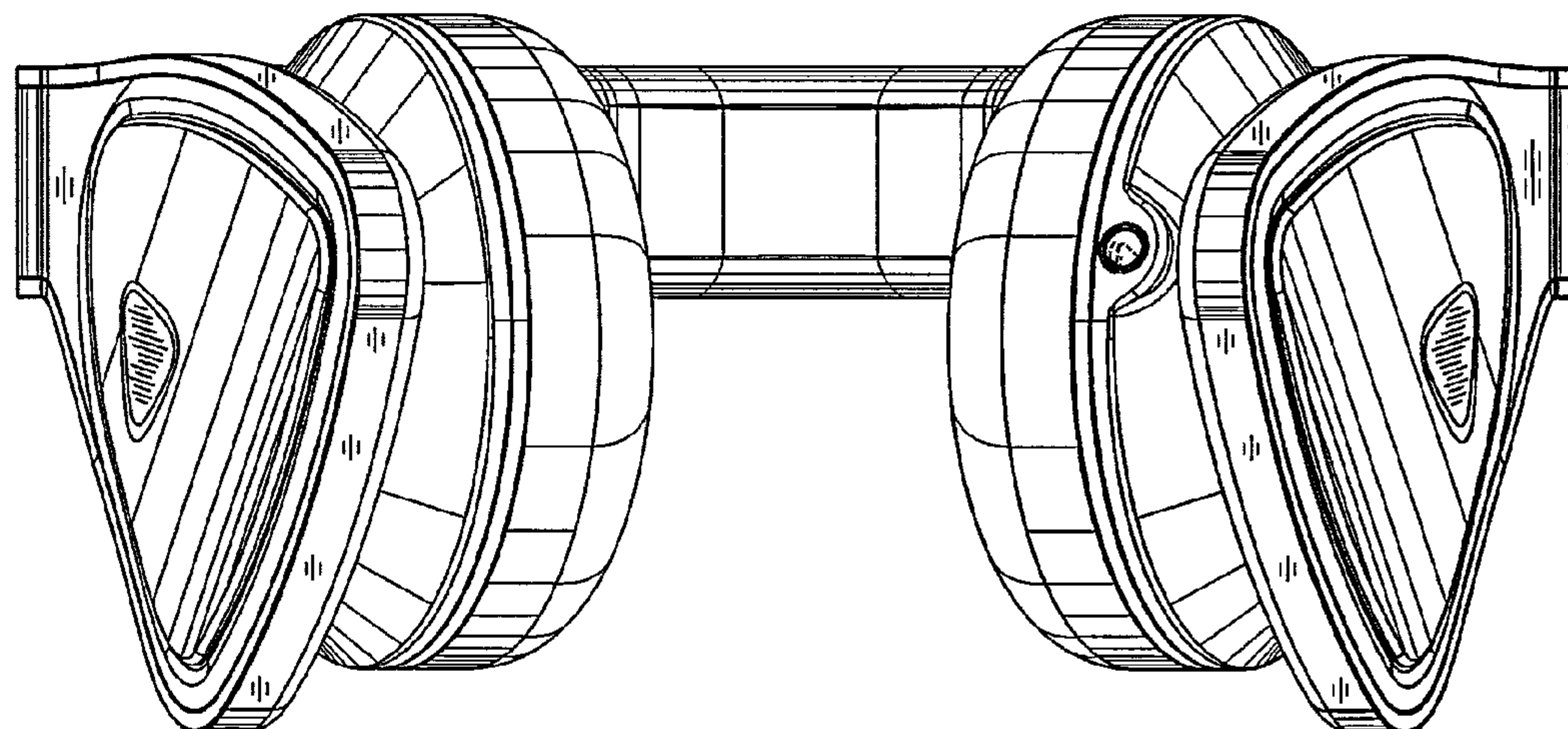


Figure 8