



US00D680507S

(12) **United States Design Patent**  
**McManigal et al.**

(10) **Patent No.:** **US D680,507 S**  
(45) **Date of Patent:** **\*\* Apr. 23, 2013**

(54) **TELEVISION OR MONITOR HOUSING**

(75) Inventors: **Scott McManigal**, Irvine, CA (US);  
**Matthew Blake McRae**, Irvine, CA  
(US); **William Wang**, Irvine, CA (US)

(73) Assignee: **Vizio Inc.**, Irvine, CA (US)

(\*\*) Term: **14 Years**

(21) Appl. No.: **29/398,729**

(22) Filed: **Aug. 3, 2011**

(51) **LOC (9) Cl.** ..... **14-03**

(52) **U.S. Cl.**  
USPC ..... **D14/126**

(58) **Field of Classification Search** ..... D14/125-134,  
D14/239, 371, 136, 374-377, 440, 450, 448,  
D14/336, 342; 312/7.2; 348/836, 838, 180,  
348/184, 325, 739; 341/12; 248/917-924,  
248/465; 345/104, 133, 156, 168, 87, 173;  
720/605, 669, 600, 655; 369/99, 197; 455/344,  
455/347; D21/329, 515, 577, 622, 333, 433,  
D21/448, 452, 450, 331; D6/477, 479, 300;  
273/148 B; 446/484, 175, 356; D10/15,  
D10/26

See application file for complete search history.

(56) **References Cited**

**U.S. PATENT DOCUMENTS**

D603,817 S \* 11/2009 Kim et al. .... D14/126  
D605,149 S \* 12/2009 Kim et al. .... D14/126  
D620,902 S \* 8/2010 Kim et al. .... D14/126

7,826,634 B2 \* 11/2010 Soga ..... 381/345  
D631,860 S \* 2/2011 Chai et al. .... D14/126  
D635,107 S \* 3/2011 Chu ..... D14/126  
D637,572 S \* 5/2011 Chu et al. .... D14/126  
D638,390 S \* 5/2011 Honda ..... D14/126  
D639,257 S \* 6/2011 Lee et al. .... D14/126  
D640,652 S \* 6/2011 Hasegawa ..... D14/126  
D641,000 S \* 7/2011 Chen ..... D14/126  
D648,295 S \* 11/2011 Jung et al. .... D14/126  
D654,446 S \* 2/2012 Choi et al. .... D14/126

\* cited by examiner

*Primary Examiner* — Raphael Barkai

*Assistant Examiner* — Randall Gholson

(74) *Attorney, Agent, or Firm* — Law Office of Scott C.  
Harris, Inc.

(57) **CLAIM**

The ornamental design for television or monitor housing, as  
shown and described.

**DESCRIPTION**

FIG. 1 is a perspective view of the television or monitor  
housing;

FIG. 2 is a front view of the television or monitor housing;

FIG. 3 is a back view of the television or monitor housing;

FIG. 4 is a left side view of the television or monitor housing;

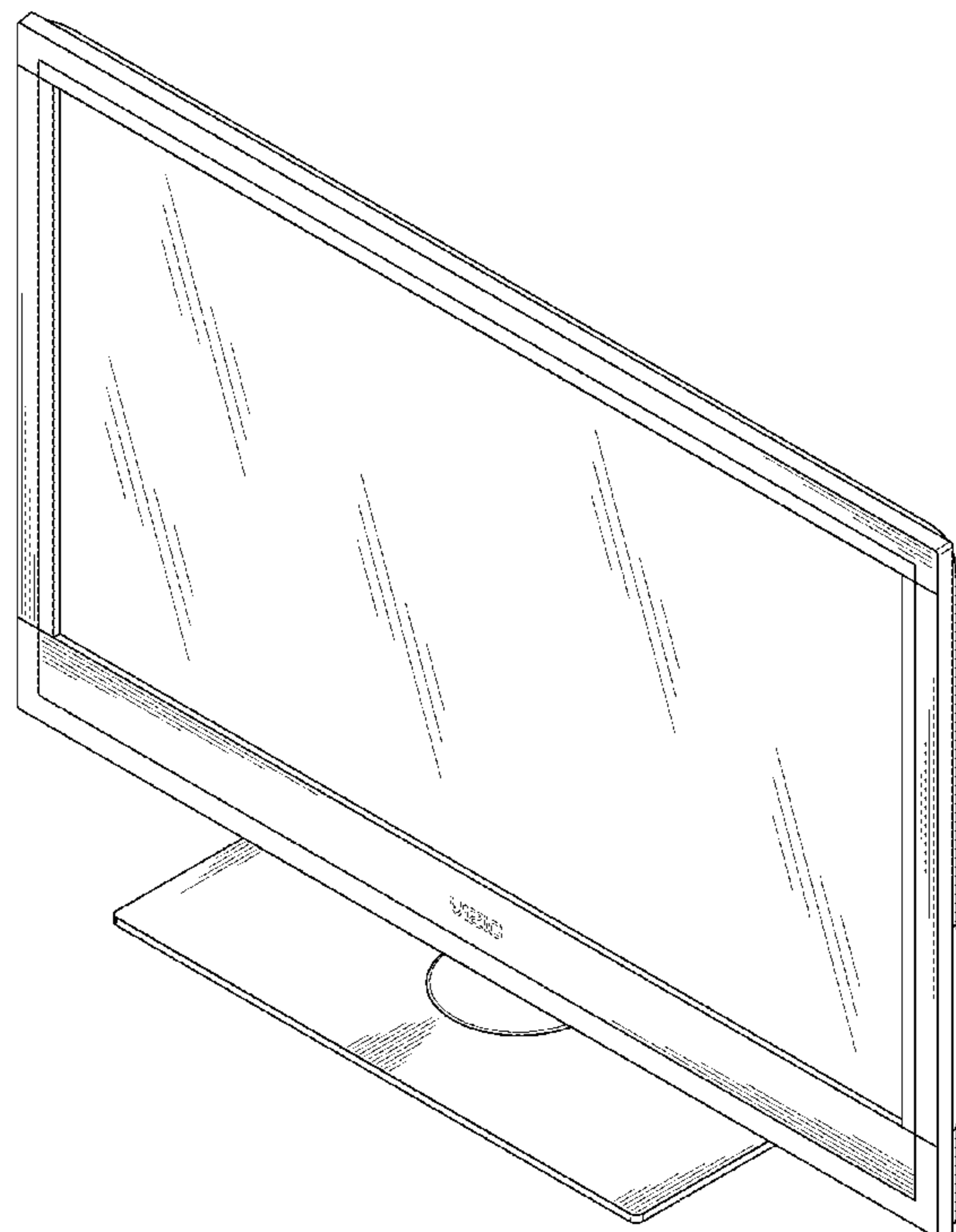
FIG. 5 is a right side view of the television or monitor hous-  
ing;

FIG. 6 is a top view of the television or monitor housing; and,

FIG. 7 is a bottom view of the television or monitor housing.

The broken lines shown on the drawings are included for the  
purpose of illustration only and form no part of the claimed  
design.

**1 Claim, 5 Drawing Sheets**



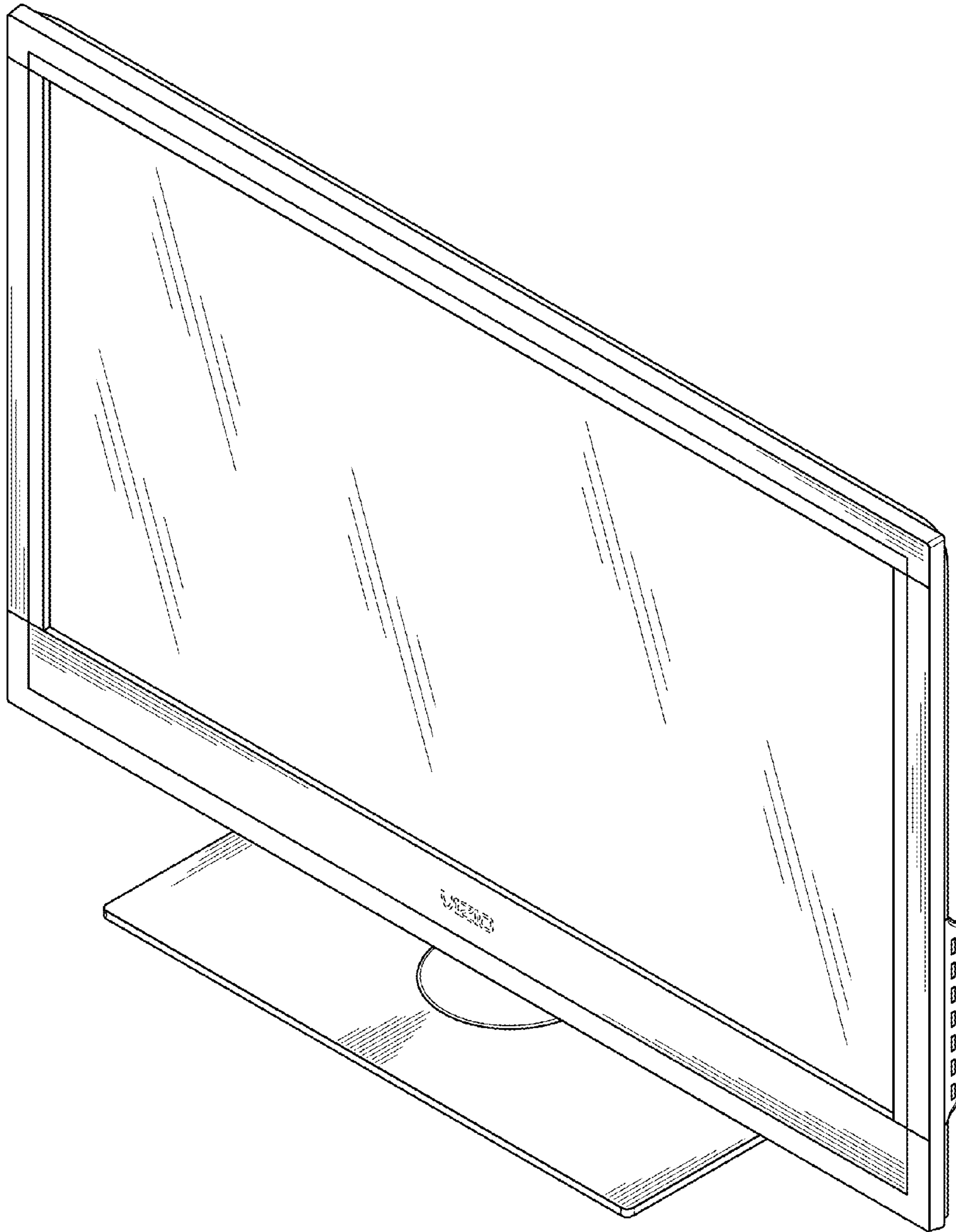


FIG. 1

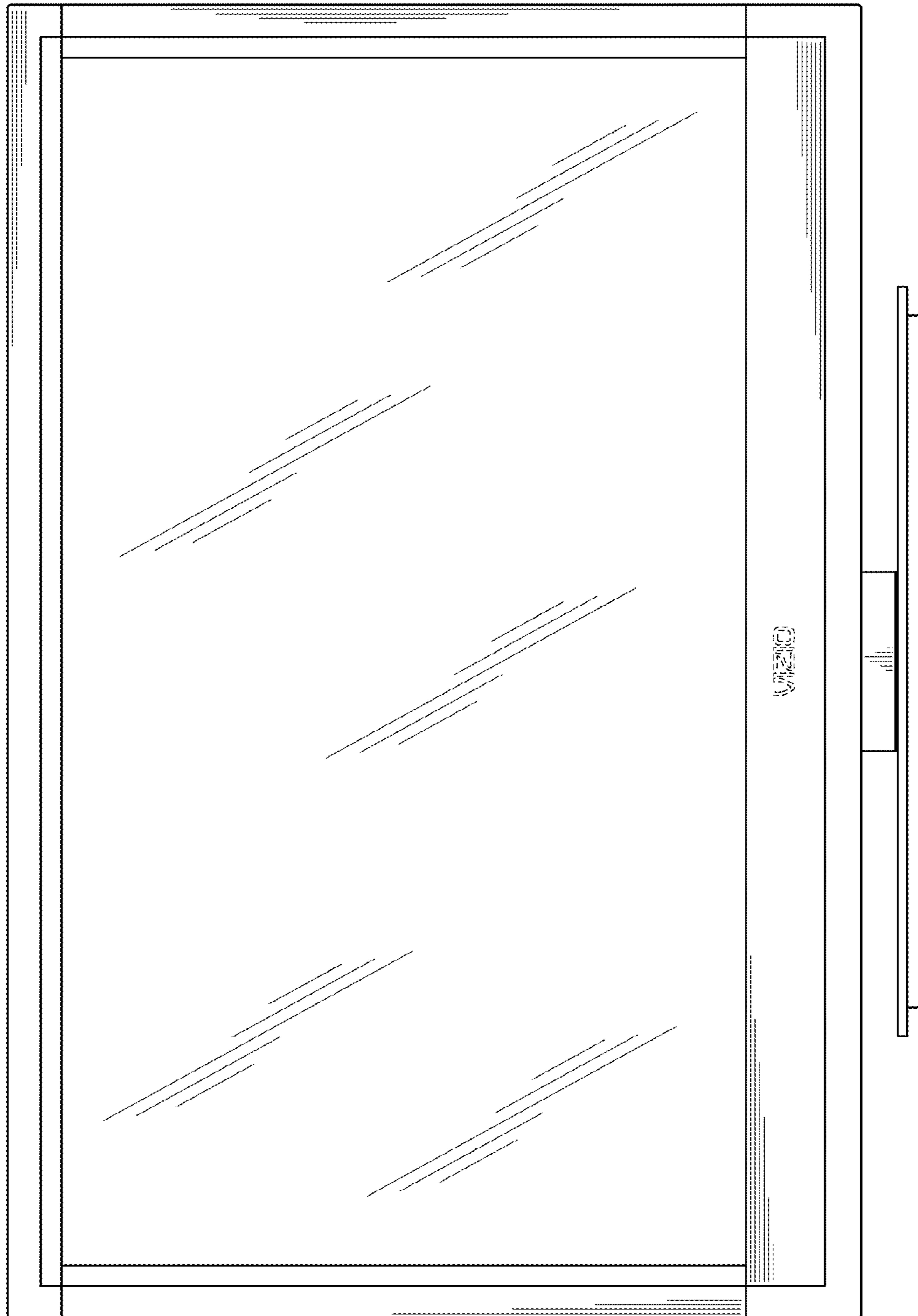


FIG. 2

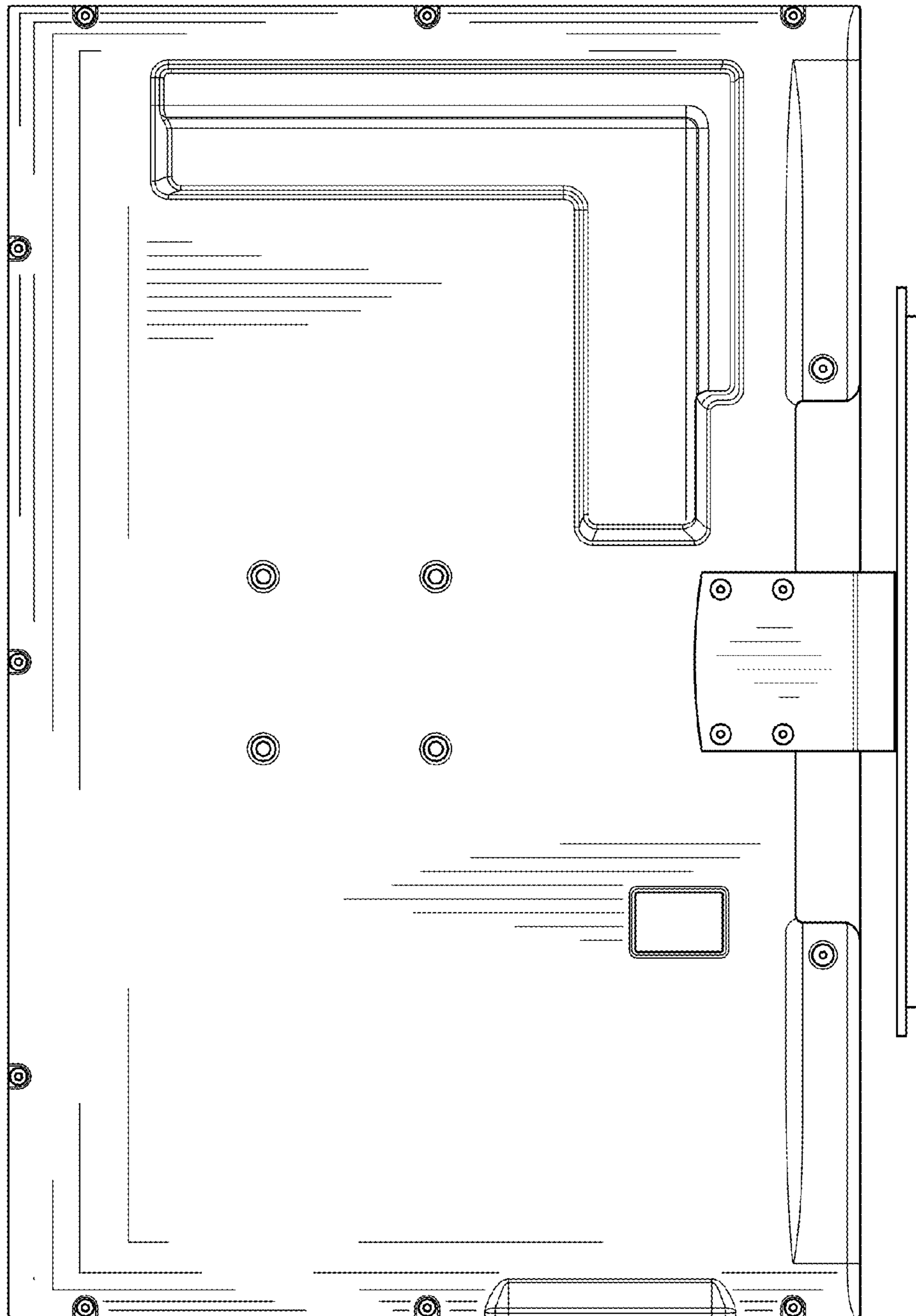
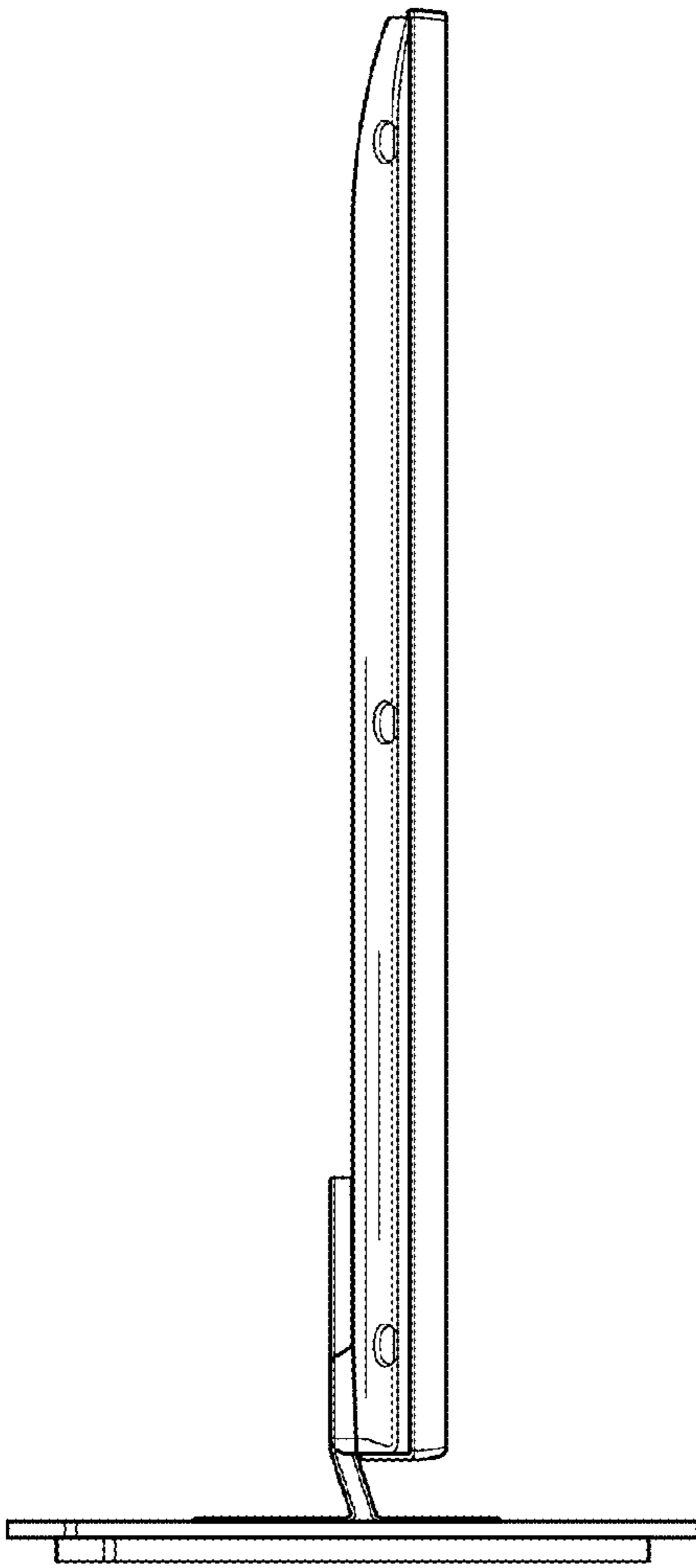
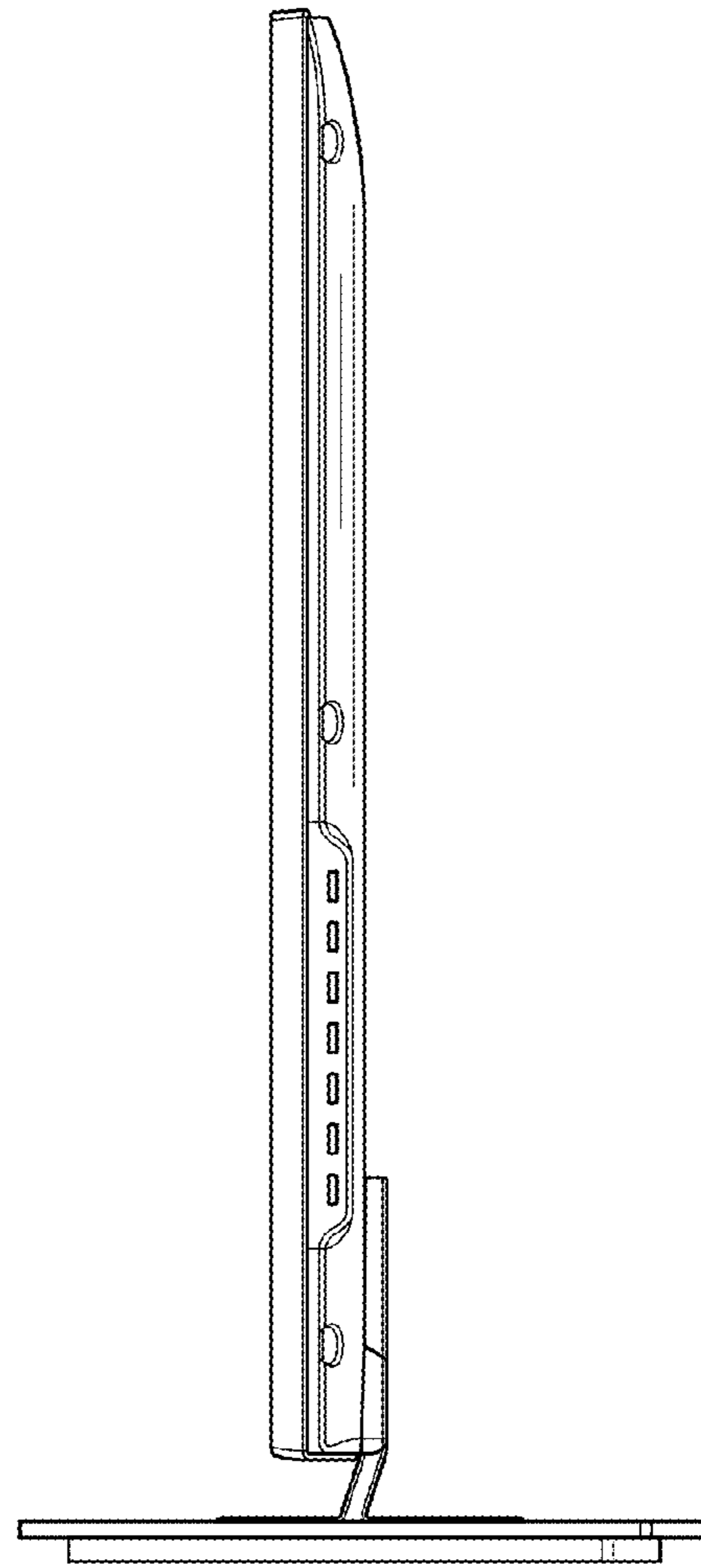


FIG. 3



**FIG. 4**



**FIG. 5**

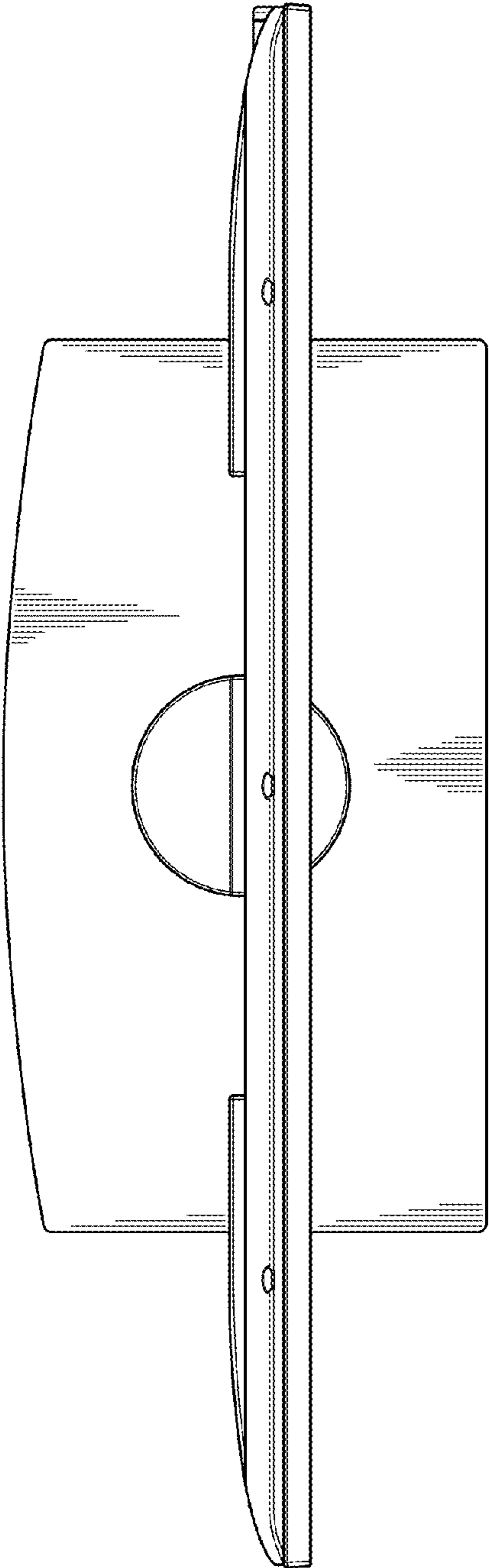


FIG. 6

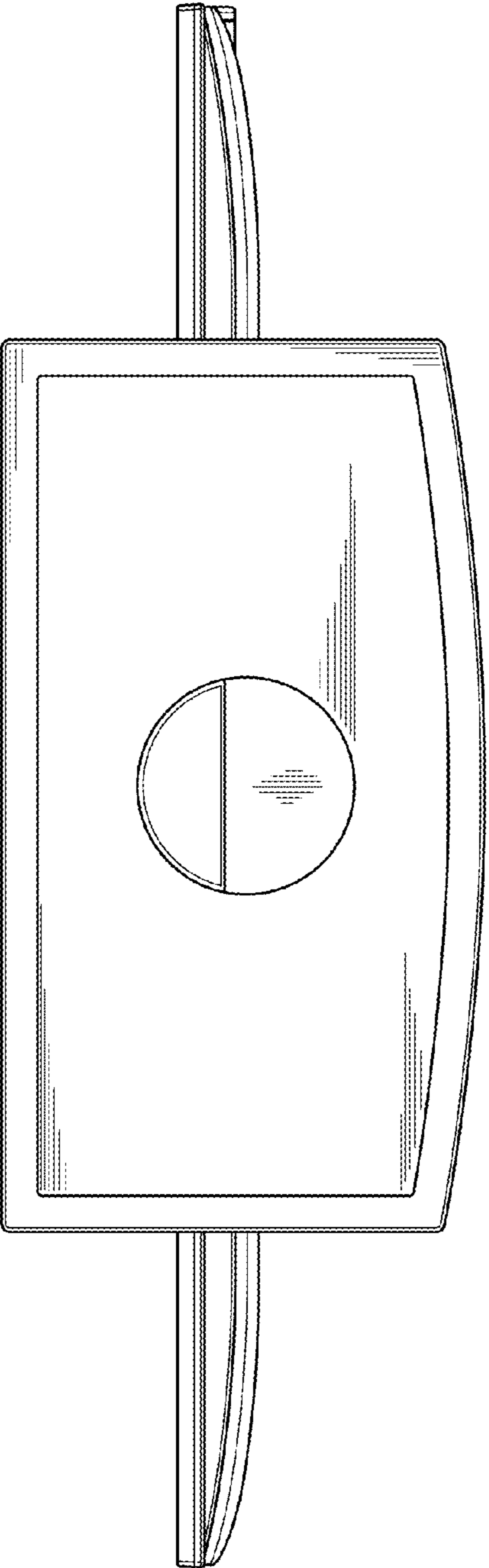


FIG. 7