



US00D680506S

(12) **United States Design Patent**
Lim et al.

(10) **Patent No.:** **US D680,506 S**

(45) **Date of Patent:** **** Apr. 23, 2013**

(54) **TELEVISION RECEIVER**

(75) Inventors: **Jaewon Lim**, Gyeonggi-do (KR);
Byungmu Huh, Seoul (KR); **Yongjoon Hwang**, Seoul (KR); **Hyuntae Ahn**, Seoul (KR)

(73) Assignee: **LG Electronics Inc.**, Seoul (KR)

(**) Term: **14 Years**

(21) Appl. No.: **29/386,226**

(22) Filed: **Feb. 25, 2011**

(30) **Foreign Application Priority Data**

Aug. 30, 2010 (KR) 30-2010-0037948

(51) **LOC (9) Cl.** **14-03**

(52) **U.S. Cl.**
USPC **D14/126**

(58) **Field of Classification Search** D14/125-134,
D14/239, 371, 136, 374-377, 440, 450, 448,
D14/336, 342, 159; 312/7.2; 348/836, 838,
348/180, 184, 325, 739; 341/12; 248/917-924,
248/465; 345/104, 133, 156, 168, 87, 173;
720/605, 669, 600, 655; 369/99, 197; D21/329,
D21/515, 577, 622, 333, 433, 448, 452, 450,
D21/331; D6/477, 479, 300; 273/148 B;
446/484, 175, 356; D10/15, 26

See application file for complete search history.

(56) **References Cited**

U.S. PATENT DOCUMENTS

D614,595	S	*	4/2010	Kubota	D14/126
D622,234	S	*	8/2010	Kim et al.	D14/126
D625,278	S	*	10/2010	Kim et al.	D14/126
D670,256	S	*	11/2012	Kim et al.	D14/126

* cited by examiner

Primary Examiner — Raphael Barkai

(74) *Attorney, Agent, or Firm* — Morgan, Lewis & Bockius LLP

(57) **CLAIM**

The ornamental design for a television receiver, as shown and described.

DESCRIPTION

FIG. 1 is a perspective view of a television receiver showing our new design;

FIG. 2 is a front view thereof;

FIG. 3 is a rear view thereof;

FIG. 4 is a left side view thereof;

FIG. 5 is a right side view thereof;

FIG. 6 is a top plan view thereof;

FIG. 7 is a bottom plan view thereof; and,

FIG. 8 is a front view thereof showing the state that during operation, the lower-right part of this television receiver has been irregularly and brightly lit up.

1 Claim, 8 Drawing Sheets

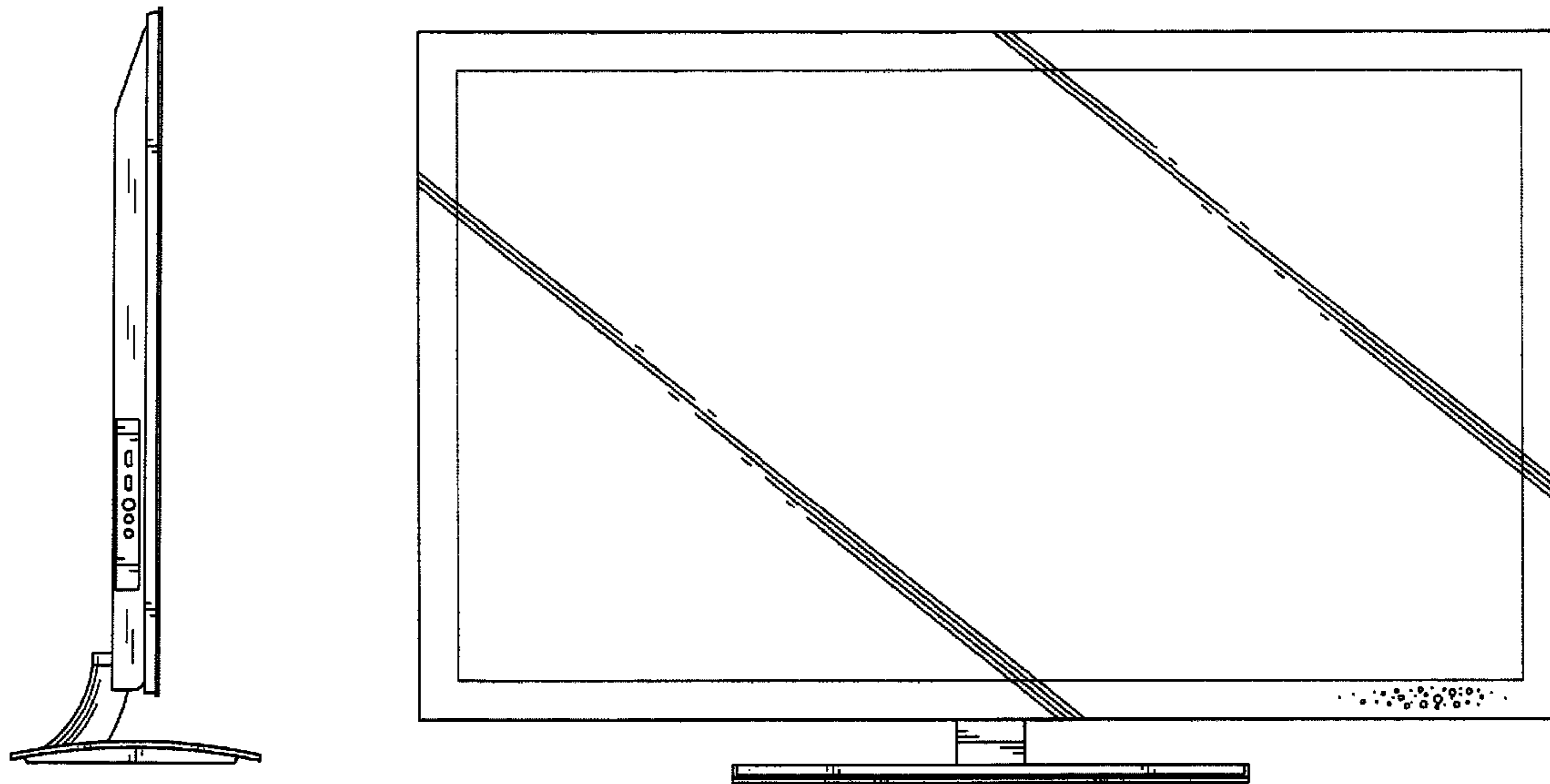


FIG. 1

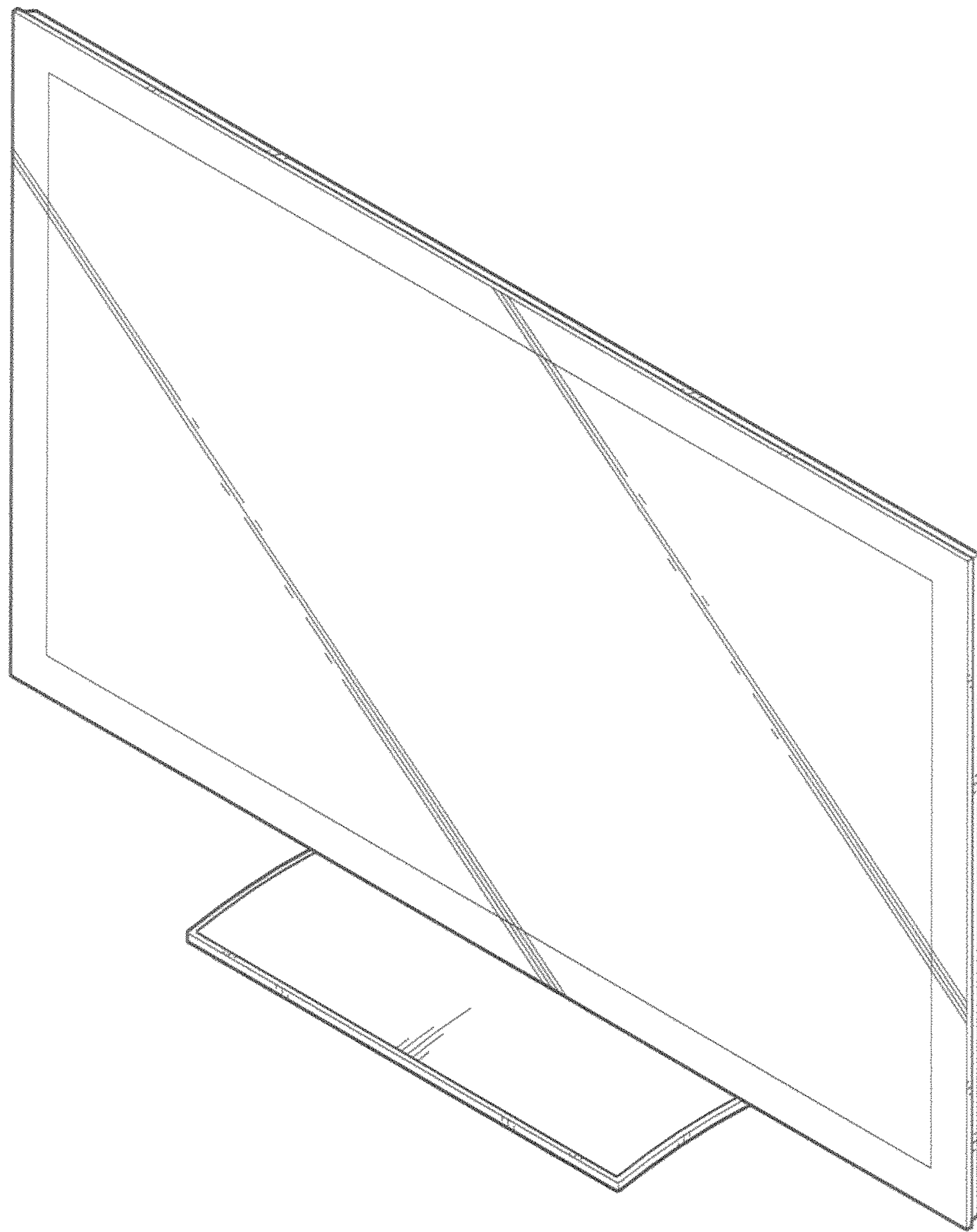


FIG. 2

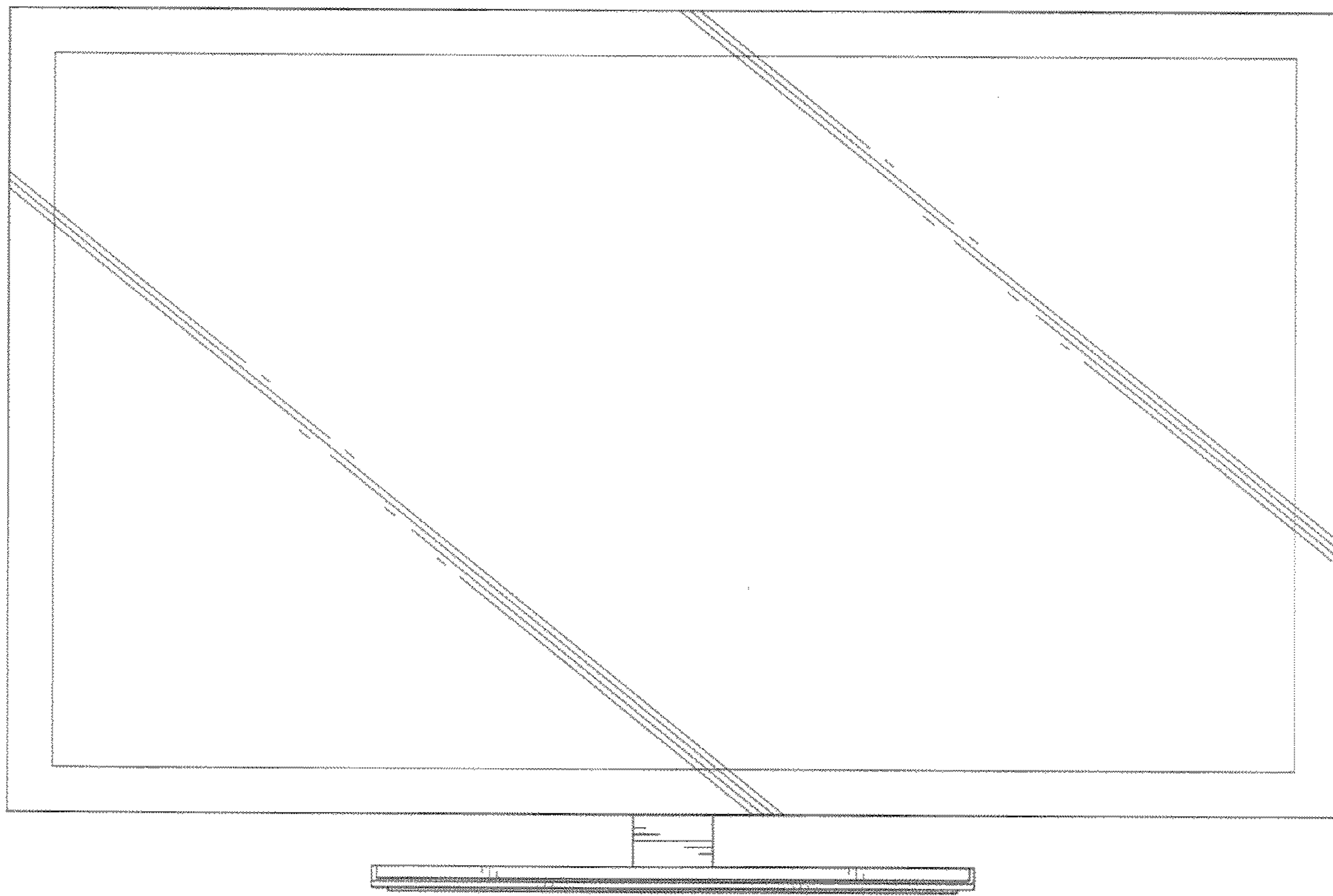


FIG. 3

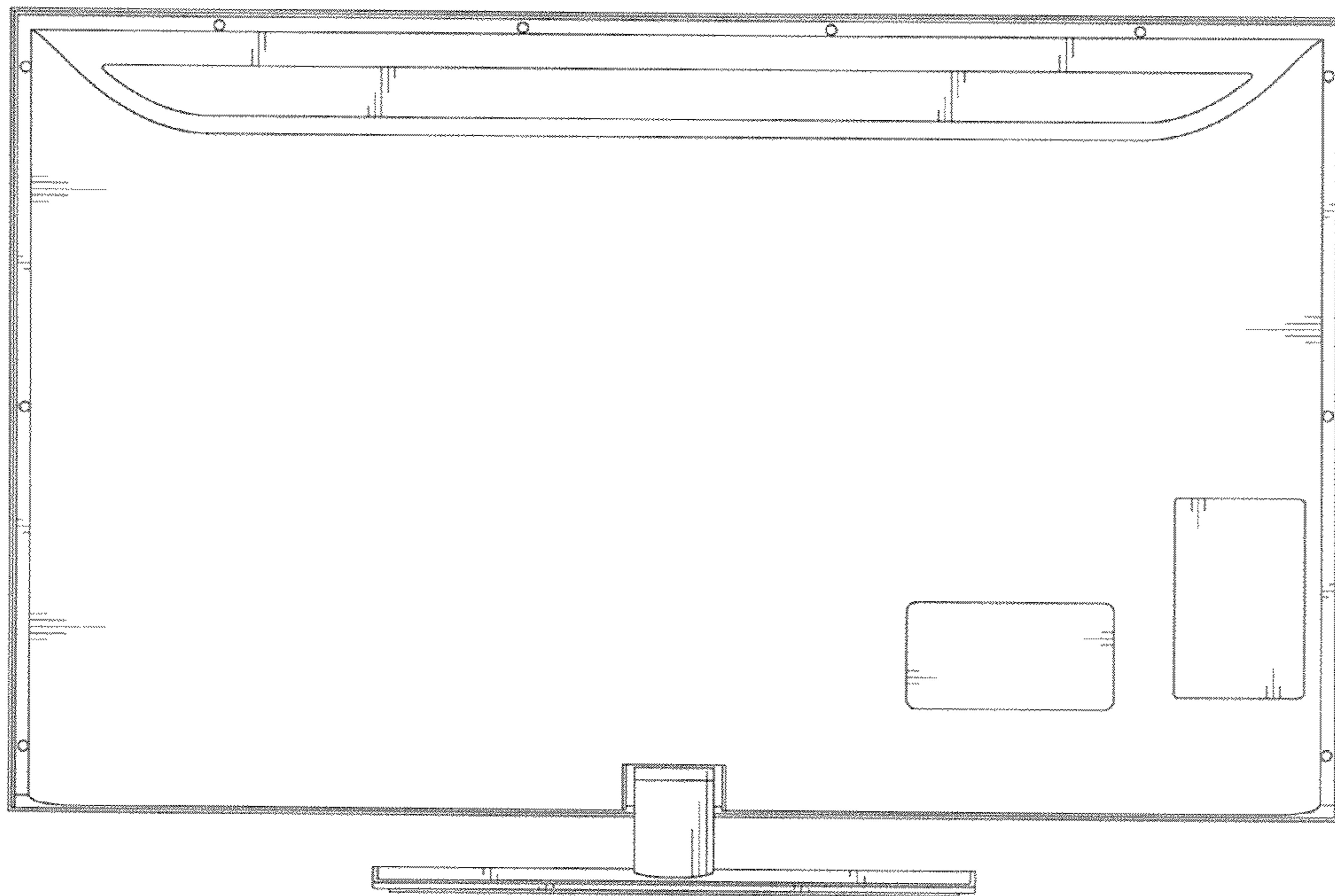


FIG. 4

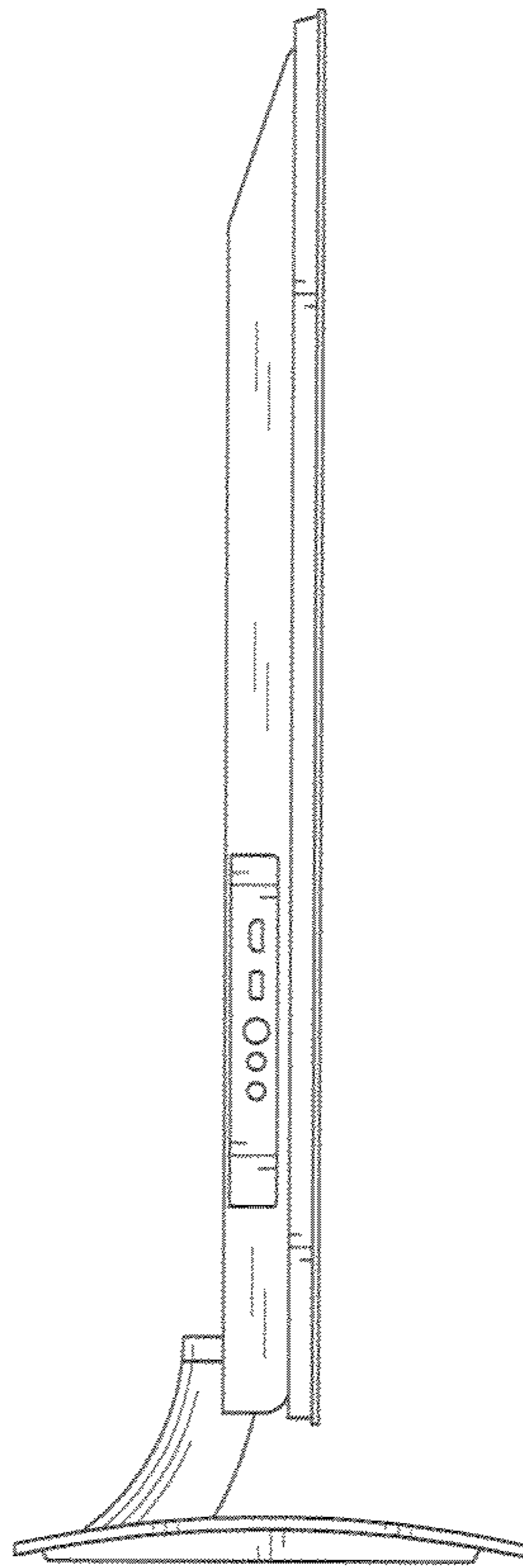


FIG. 5

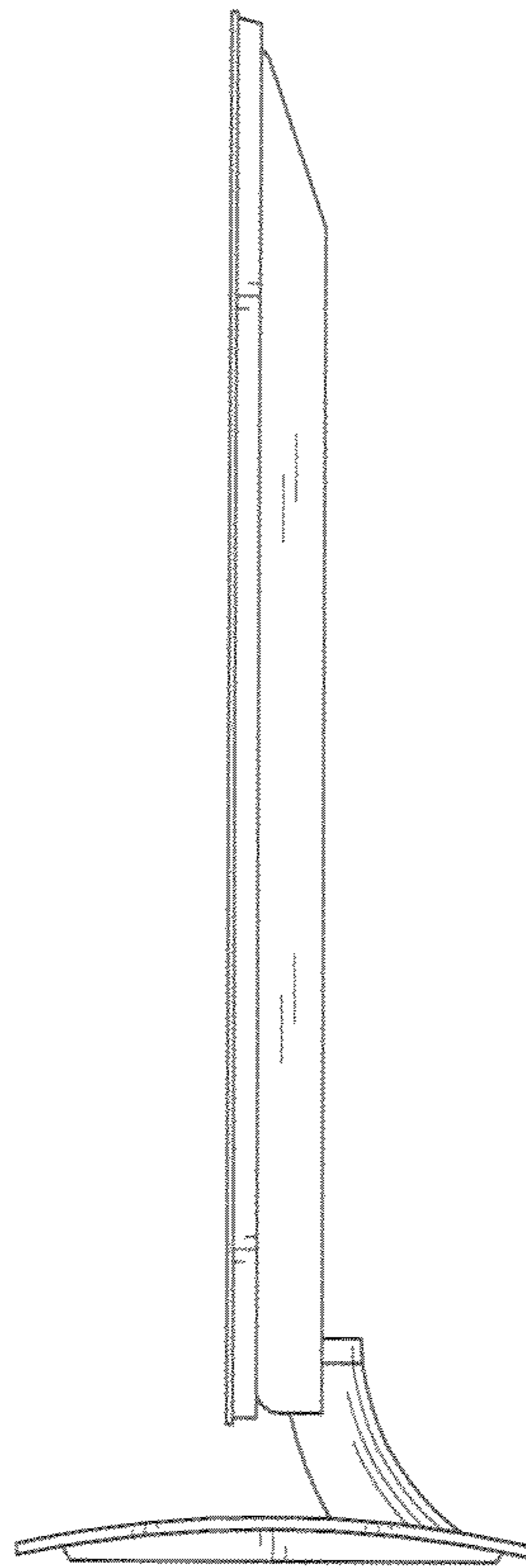


FIG. 6

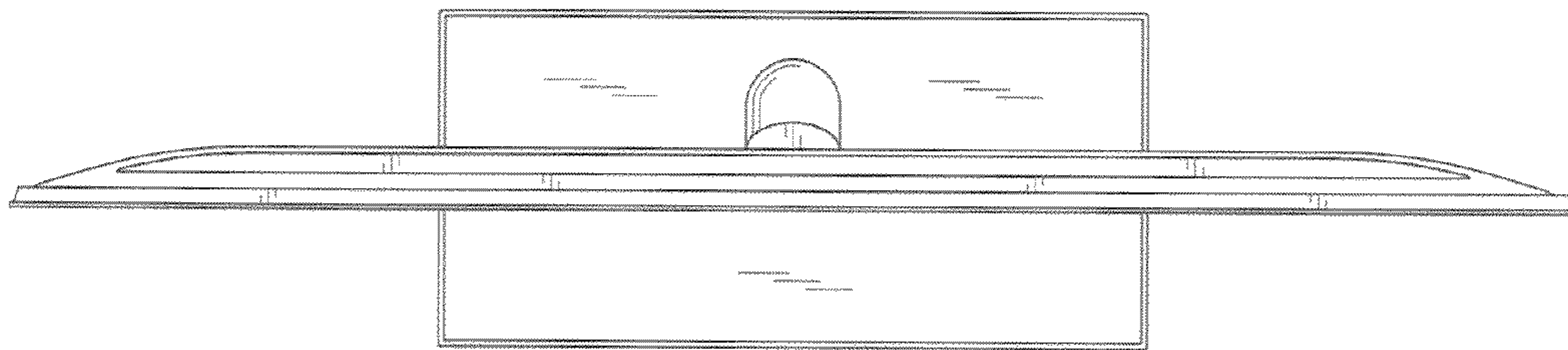


FIG. 7

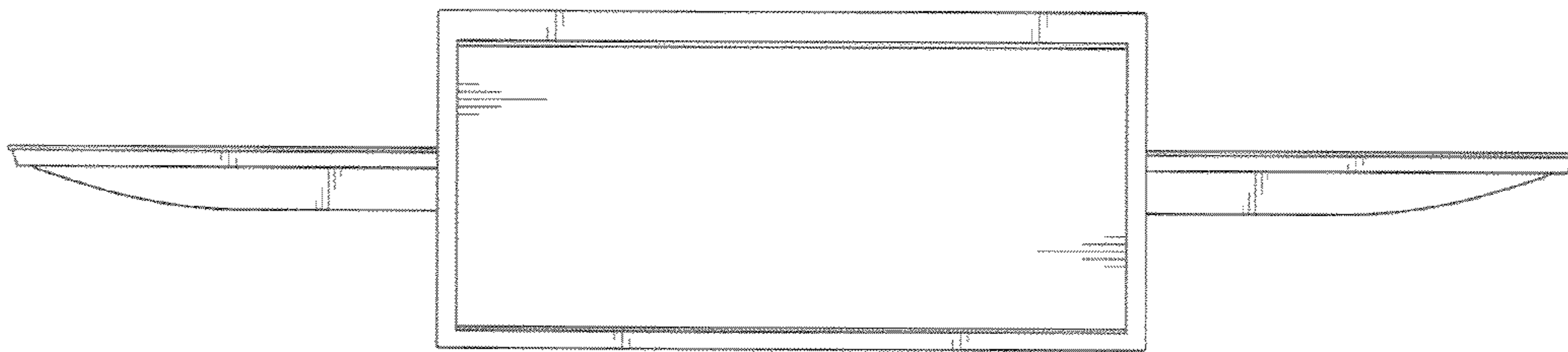


FIG. 8

