



US00D680503S

(12) **United States Design Patent**
Kawashima et al.

(10) **Patent No.:** **US D680,503 S**

(45) **Date of Patent:** **** Apr. 23, 2013**

(54) **SWITCH**

(75) Inventors: **Sota Kawashima**, Tokyo (JP); **Haruo Tanabe**, Tokyo (JP); **Hiroaki Sugahara**, Toyama (JP)

(73) Assignee: **SMK Corporation**, Tokyo (JP)

(**) Term: **14 Years**

(21) Appl. No.: **29/420,668**

(22) Filed: **May 11, 2012**

(30) **Foreign Application Priority Data**

Nov. 14, 2011 (JP) 2011-027986

(51) **LOC (9) Cl.** **13-03**

(52) **U.S. Cl.**
USPC **D13/171**

(58) **Field of Classification Search** D13/162,
D13/164, 171, 174; 200/1 B, 5 R, 302.2,
200/406, 520, 530, 293, 296, 308, 310, 314,
200/329, 341; 307/139, 157; 315/209 R,
315/224, 246, 291, 294, 295
See application file for complete search history.

(56) **References Cited**

U.S. PATENT DOCUMENTS

6,995,324 B2 * 2/2006 Asada 200/1 B
7,057,128 B1 * 6/2006 Oyagi et al. 200/406
D533,144 S * 12/2006 Asada D13/171

7,250,581 B2 * 7/2007 Asada 200/341
7,429,707 B2 * 9/2008 Yanai et al. 200/1 B
7,449,654 B2 * 11/2008 Tsuduki 200/406
7,557,320 B1 * 7/2009 Crooijmans et al. 200/406
D598,870 S * 8/2009 Asada D13/171
2011/0284357 A1 * 11/2011 Yasunaga et al. 200/530
2012/0241302 A1 * 9/2012 Ishigame et al. 200/530

OTHER PUBLICATIONS

U.S. Appl. No. 29/420,661, filed May 11, 2012, Sota Kawashima.

* cited by examiner

Primary Examiner — Selina Sikder

(74) *Attorney, Agent, or Firm* — Sughrue Mion, PLLC

(57) **CLAIM**

The ornamental design for a switch, as shown and described.

DESCRIPTION

FIG. 1 is a perspective view of the front, bottom and right side of a switch showing our new design;

FIG. 2 is a perspective view of the rear, bottom and right side thereof;

FIG. 3 is a front view thereof;

FIG. 4 is a rear view thereof;

FIG. 5 is a left side view thereof;

FIG. 6 is a right side view thereof; and

FIG. 7 is a top plan view thereof; and,

FIG. 8 is a bottom view thereof.

1 Claim, 6 Drawing Sheets

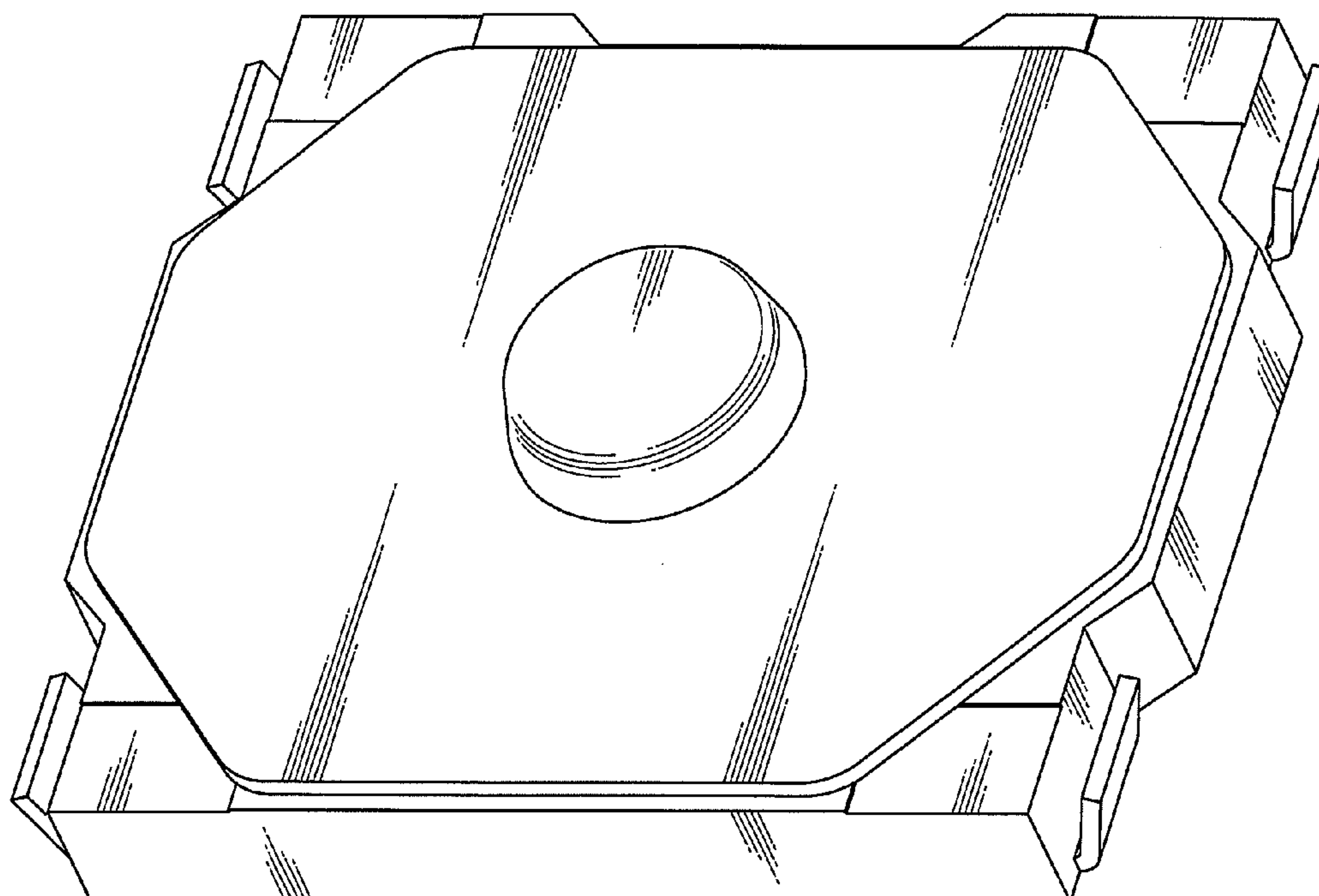


Fig. 1

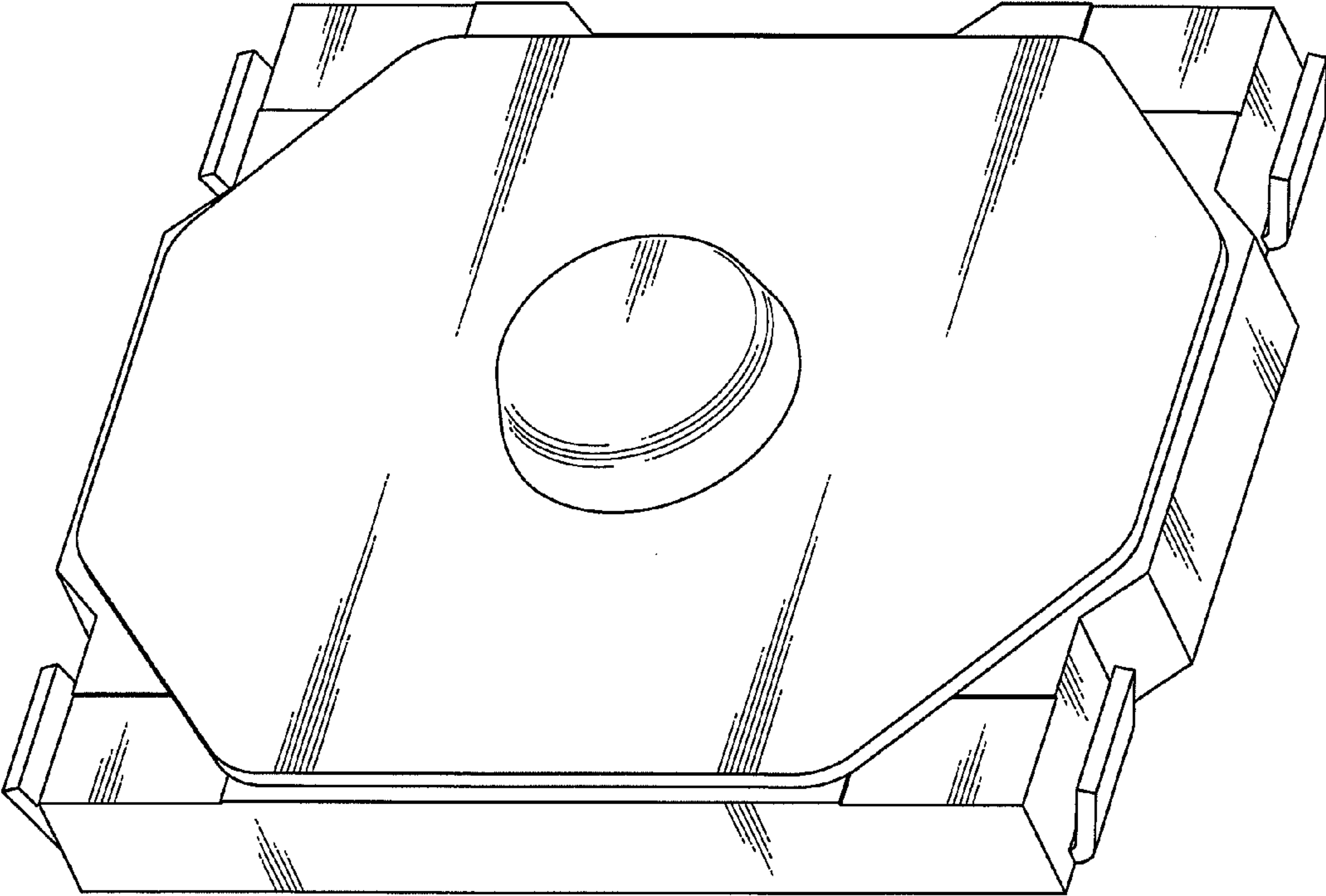


Fig. 2

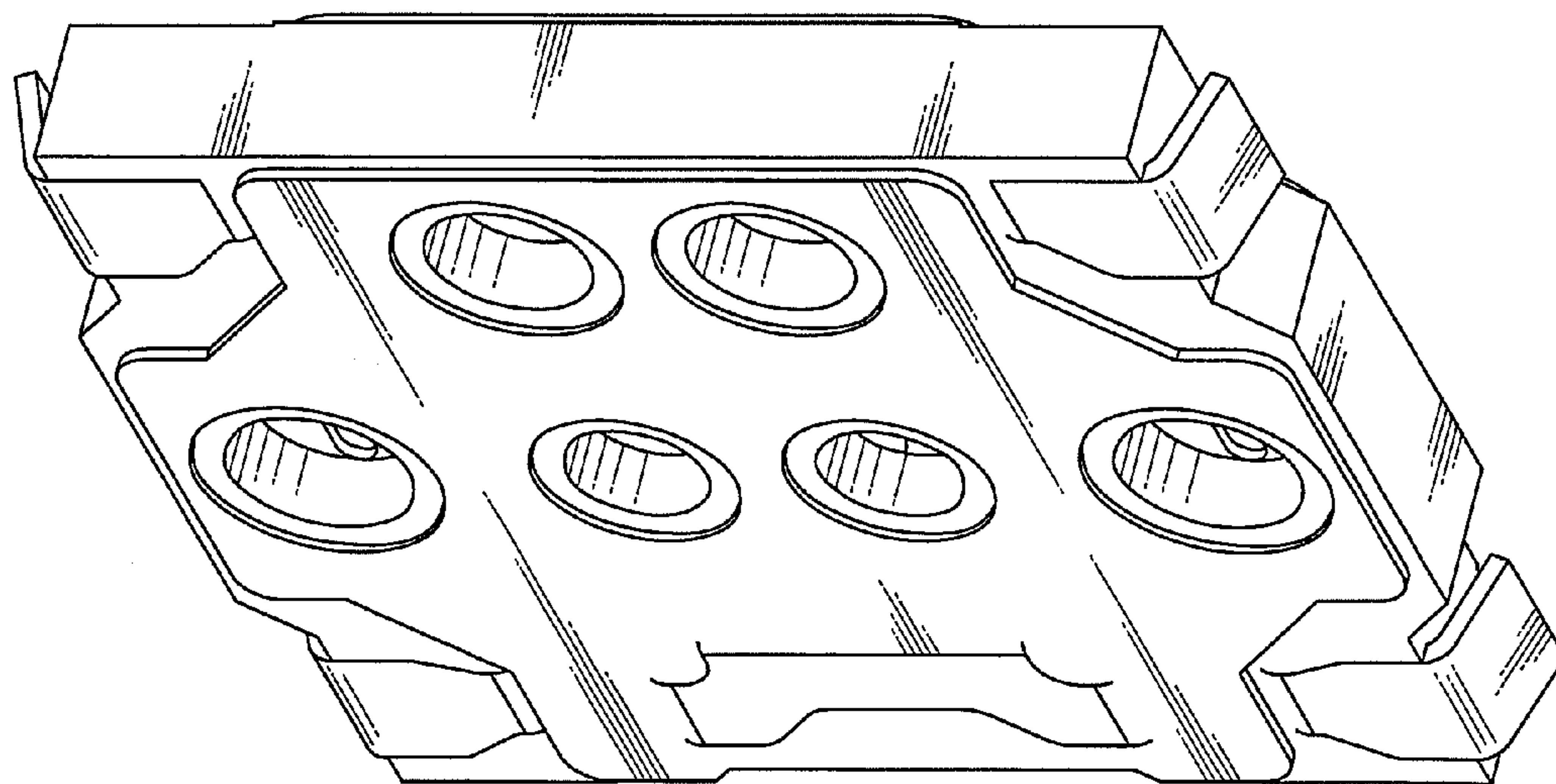


Fig. 3

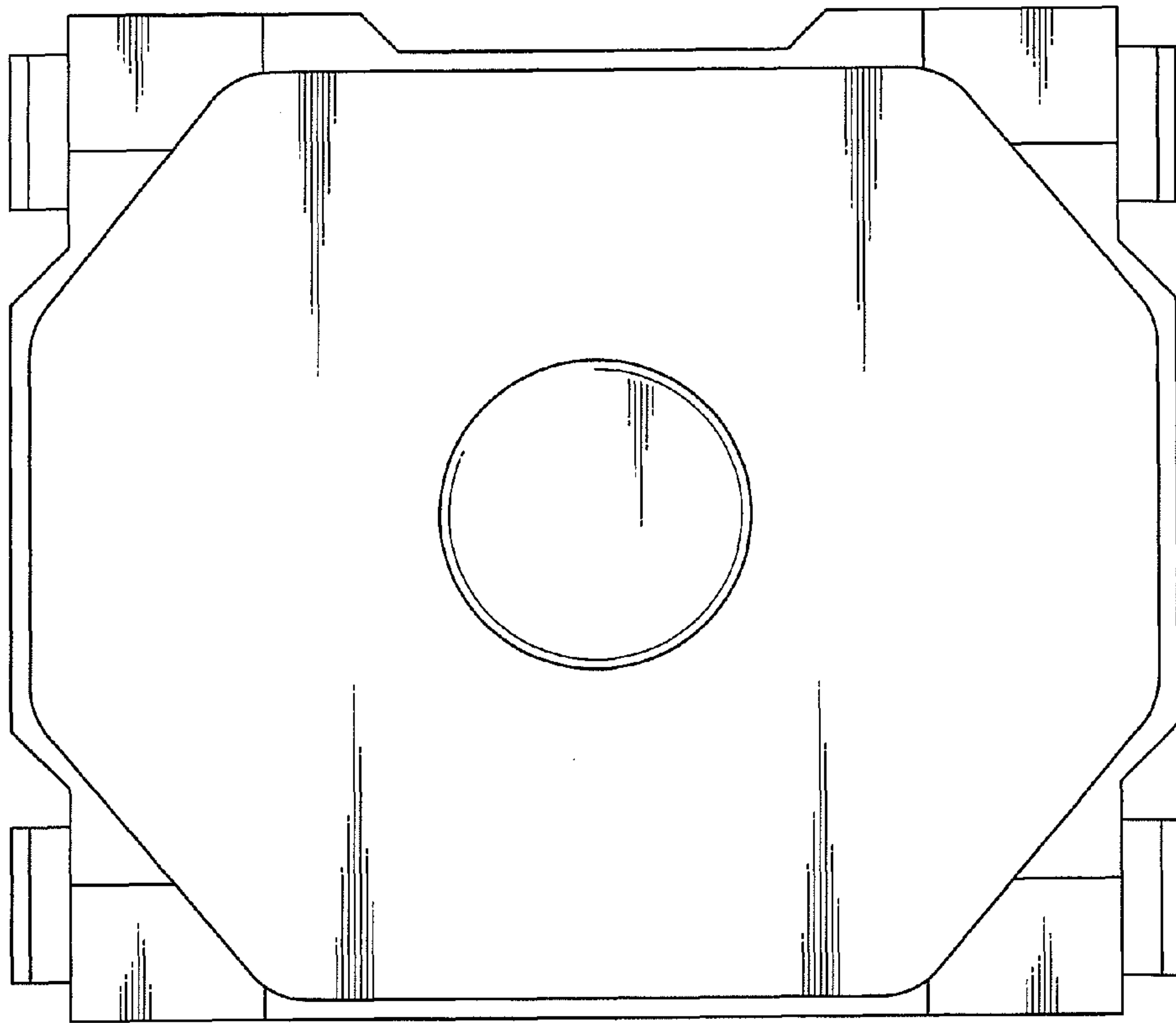


Fig. 4

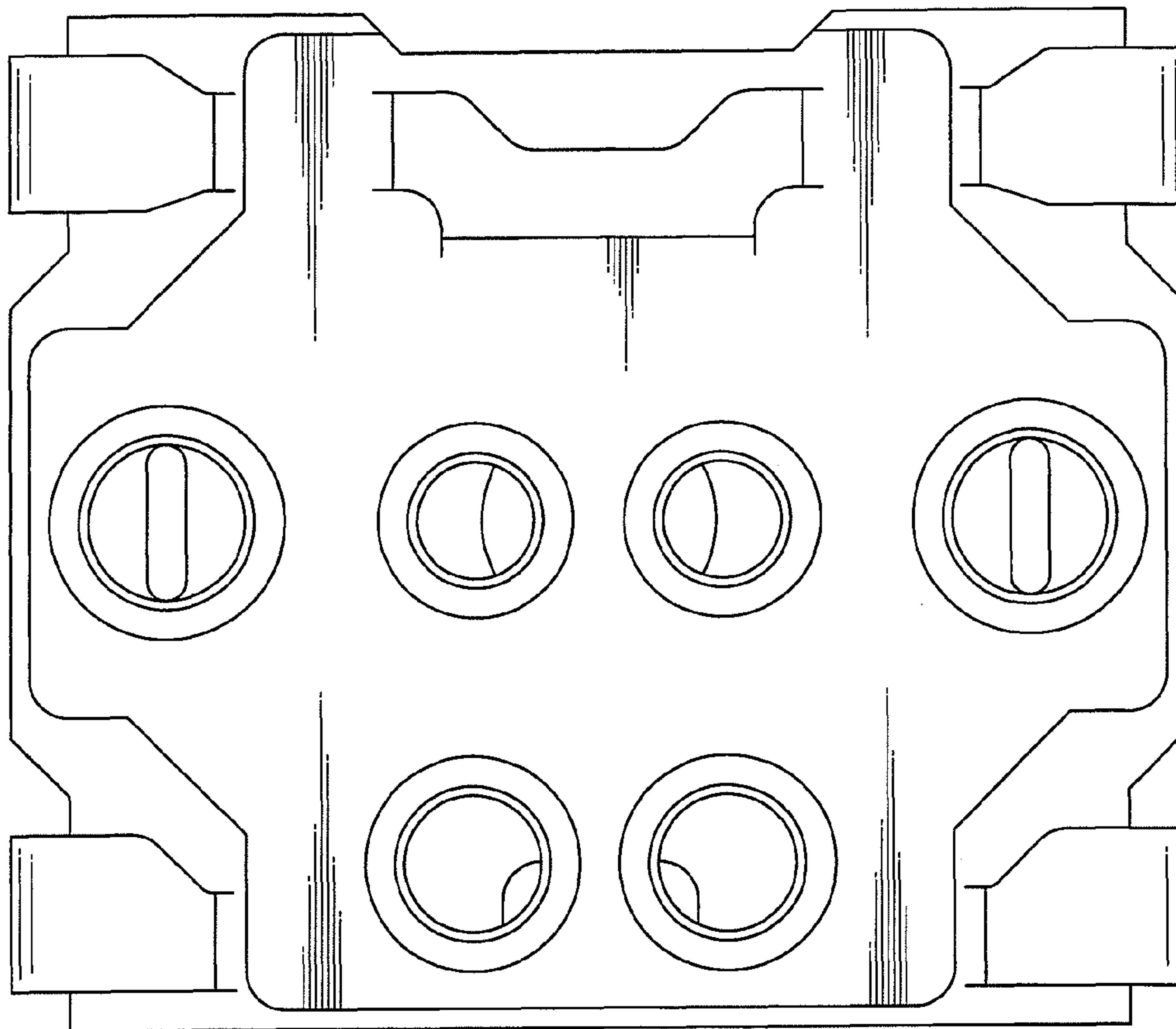


Fig. 5

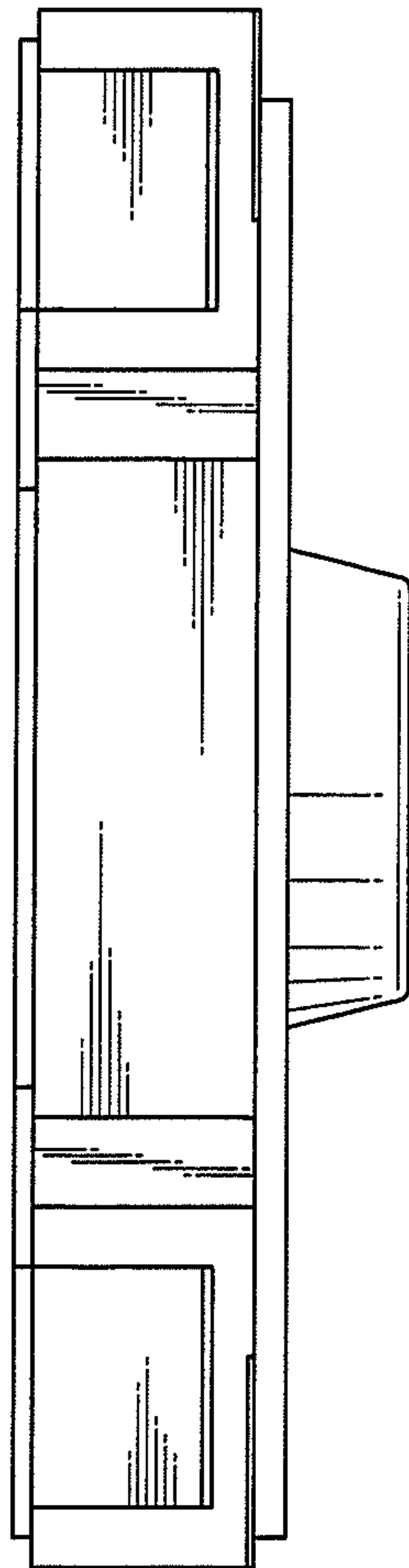


Fig. 6

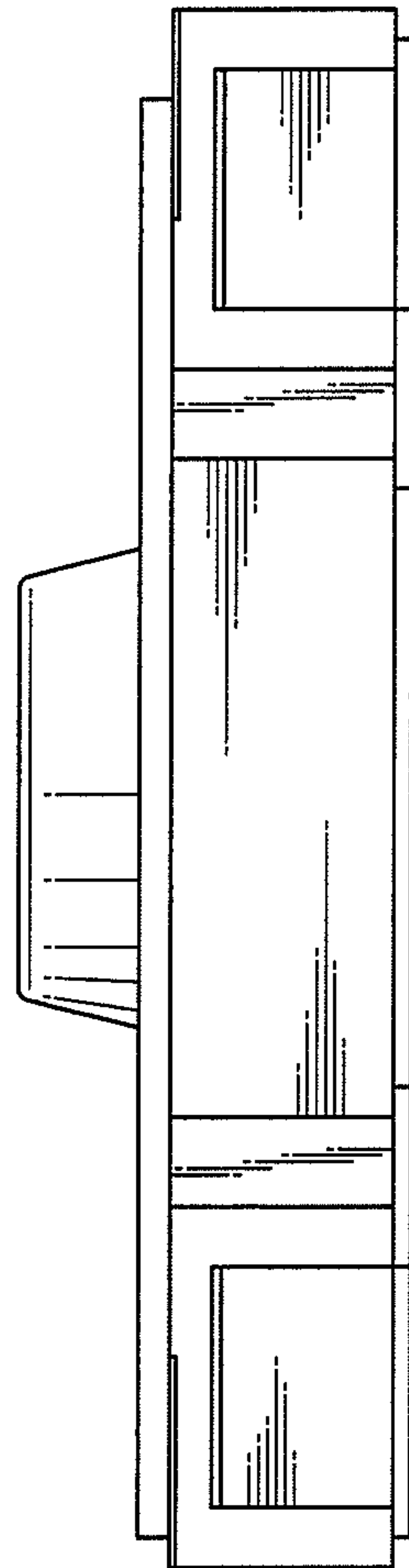


Fig. 7

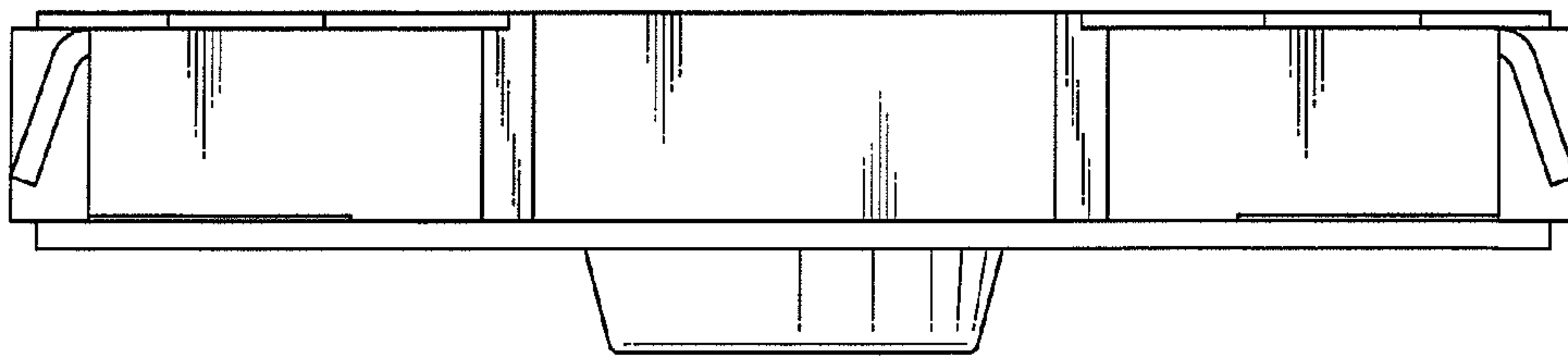


Fig. 8

