



US00D680501S

(12) **United States Design Patent**
Elliott et al.

(10) **Patent No.:** **US D680,501 S**
(45) **Date of Patent:** **** Apr. 23, 2013**

(54) **PIVOTABLE FACE PACK FOR A LIGHTING CONTROLLER**

(75) Inventors: **Lance C. Elliott**, San Marcos, CA (US);
Darrin I. Schmuckle, Vista, CA (US);
Joshua Z. Beadle, San Diego, CA (US)

(73) Assignee: **Hunter Industries, Inc.**, San Marcos, CA (US)

(**) Term: **14 Years**

(21) Appl. No.: **29/406,154**

(22) Filed: **Nov. 10, 2011**

Related U.S. Application Data

(63) Continuation of application No. 13/098,319, filed on Apr. 29, 2011.

(51) **LOC (9) Cl.** **13-03**

(52) **U.S. Cl.**
USPC **D13/162**

(58) **Field of Classification Search** D13/162,
D13/164; D10/46, 49, 96; 137/624.11; 239/69;
361/622, 627, 628, 643; 700/284
See application file for complete search history.

(56) **References Cited**

U.S. PATENT DOCUMENTS

6,772,050 B2 * 8/2004 Williams et al. 700/284
7,225,057 B2 * 5/2007 Froman et al. 700/284

7,257,465 B2 * 8/2007 Perez et al. 700/284
7,328,089 B2 * 2/2008 Curren 700/284
D564,456 S * 3/2008 Weiler et al. D13/162
7,412,303 B1 * 8/2008 Porter et al. 700/284
D580,373 S * 11/2008 Stange et al. D13/162
D581,880 S * 12/2008 Neitzel et al. D13/162
D603,347 S * 11/2009 Sacks et al. D13/162
D608,301 S * 1/2010 Clark et al. D13/162
D613,255 S * 4/2010 Paul D13/162
D621,794 S * 8/2010 Haeske et al. D13/164
7,953,517 B1 * 5/2011 Porter et al. 700/284
2007/0156290 A1 * 7/2007 Froman et al. 700/284
2007/0208462 A1 * 9/2007 Kah 700/284
2010/0030476 A1 * 2/2010 Woytowicz et al. 702/3

* cited by examiner

Primary Examiner — Selina Sikder

(74) *Attorney, Agent, or Firm* — Michael H. Jester

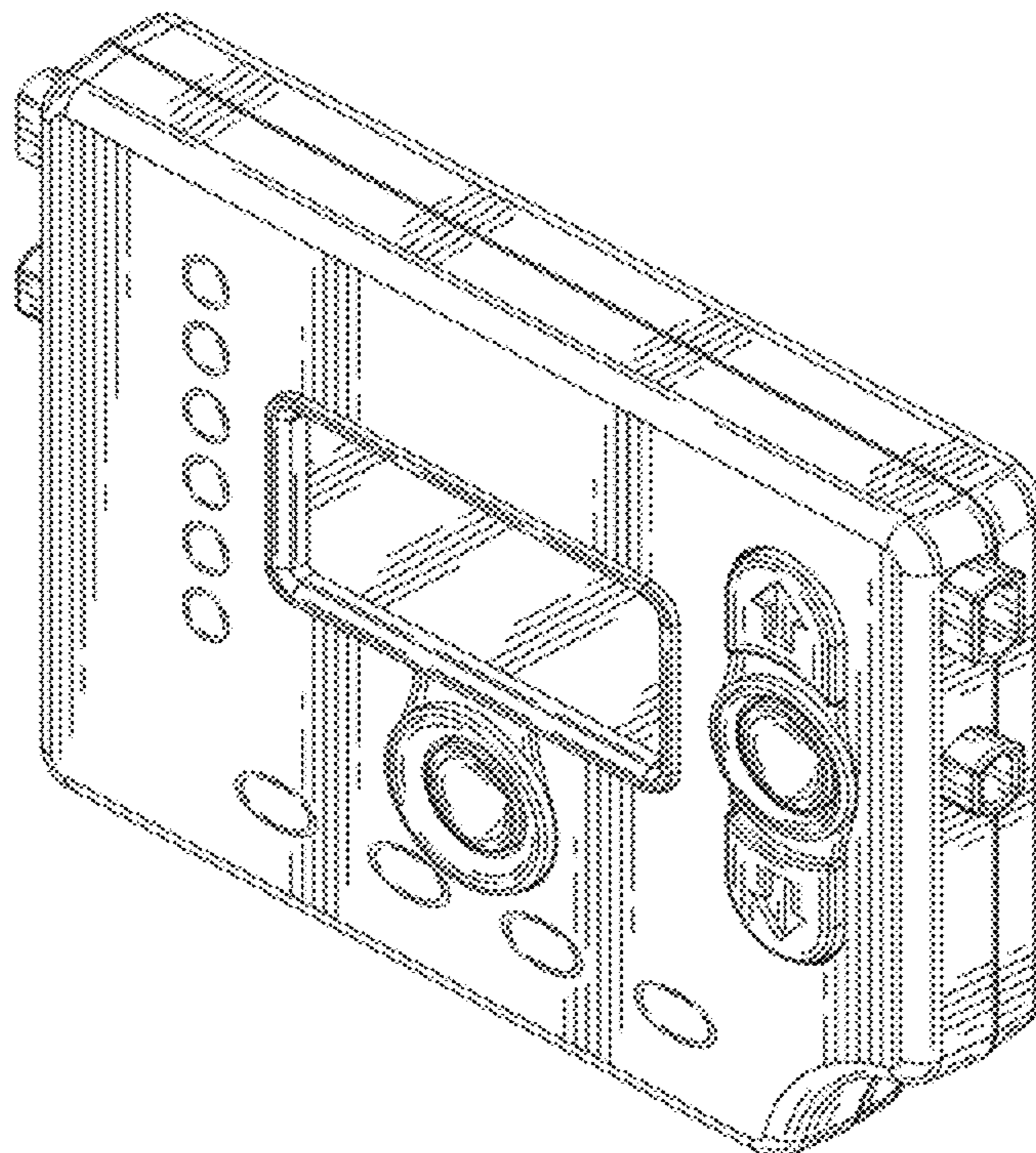
(57) **CLAIM**

The ornamental design for a pivotable face pack for a lighting controller, as shown and described.

DESCRIPTION

FIG. 1 is an isometric view of an ornamental design for a pivotable face pack for a lighting controller;
FIG. 2 is a front elevation view thereof;
FIG. 3 is a top plan view thereof;
FIG. 4 is a bottom plan view thereof;
FIG. 5 is a right-hand elevation view thereof;
FIG. 6 is a left-hand elevation view thereof; and,
FIG. 7 is a rear elevation view thereof.

1 Claim, 3 Drawing Sheets



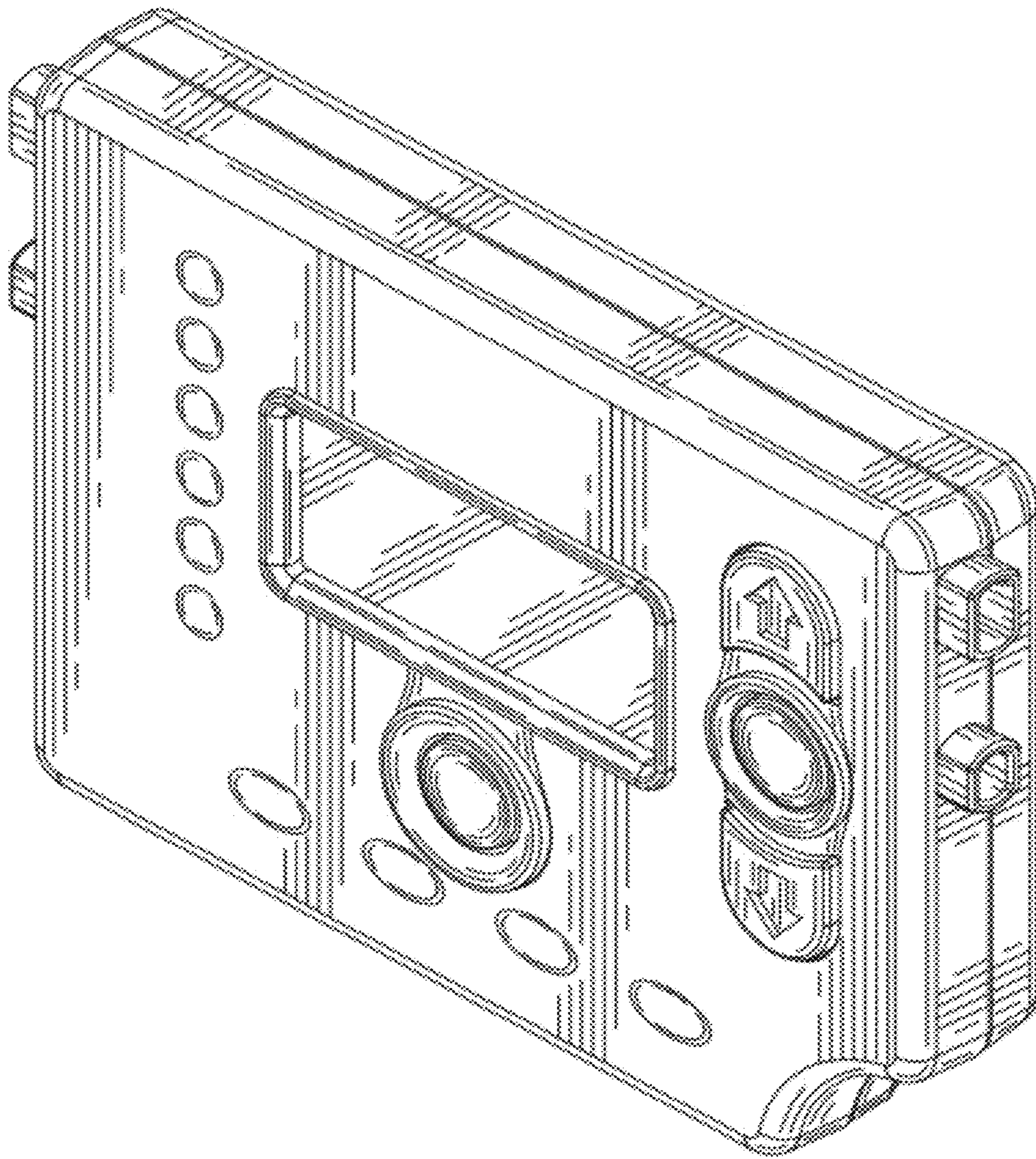


FIG. 1

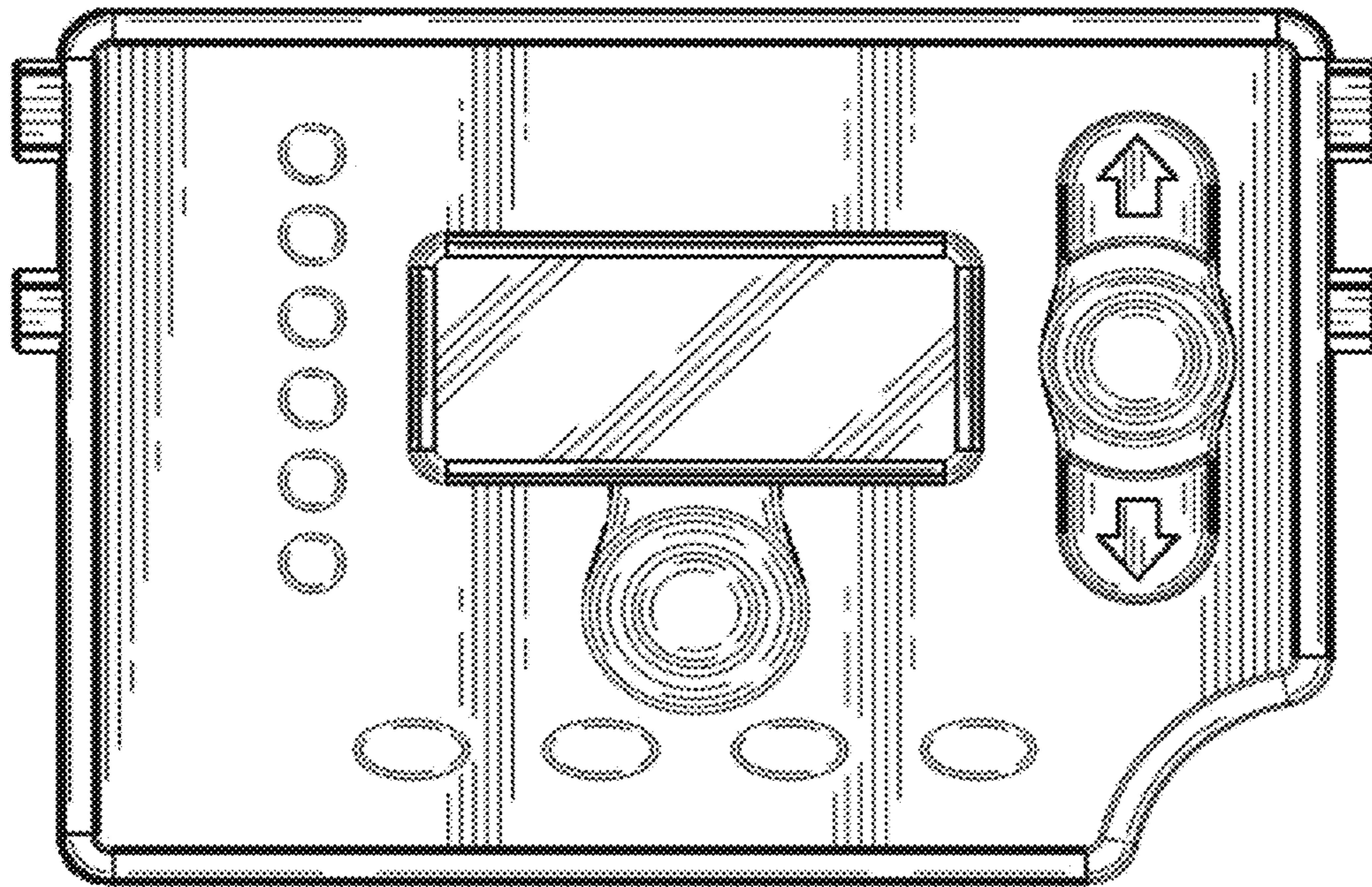


FIG. 2

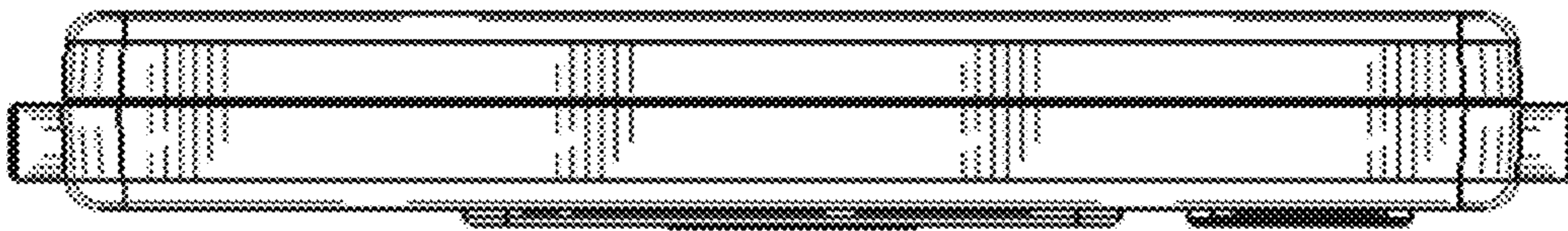


FIG. 3

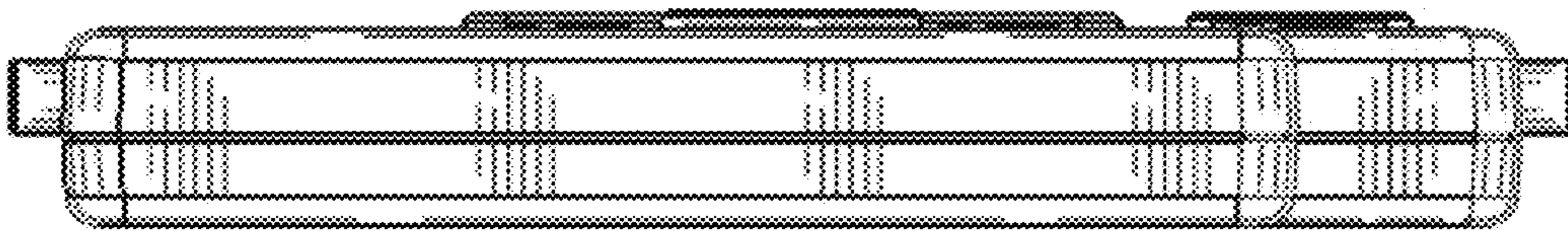


FIG. 4

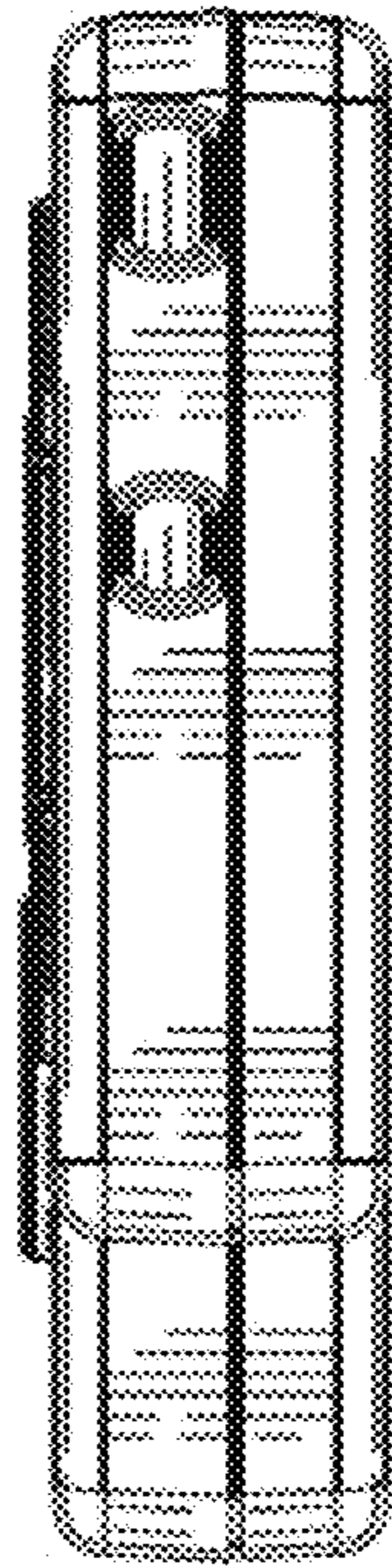


FIG. 5

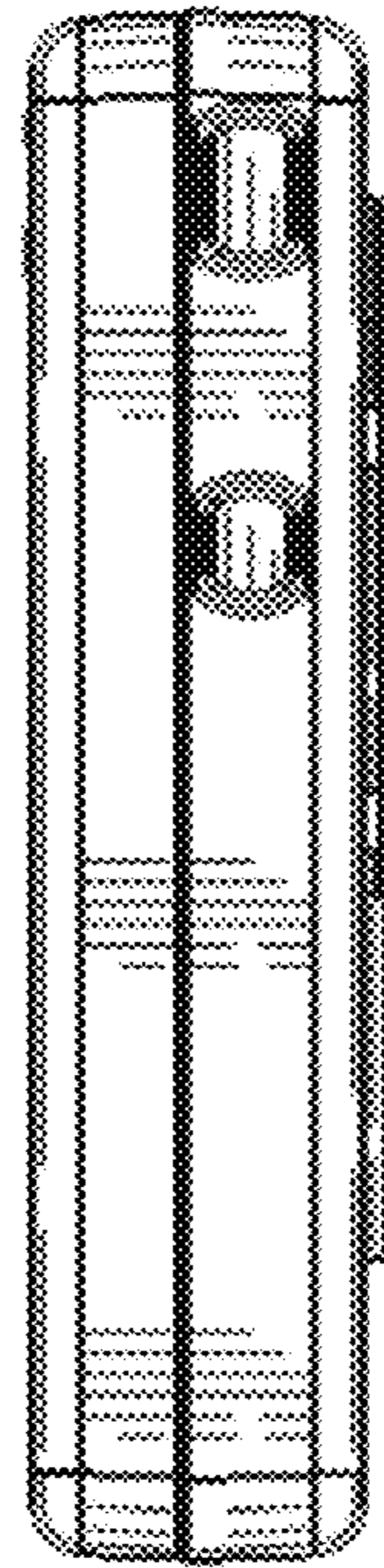


FIG. 6

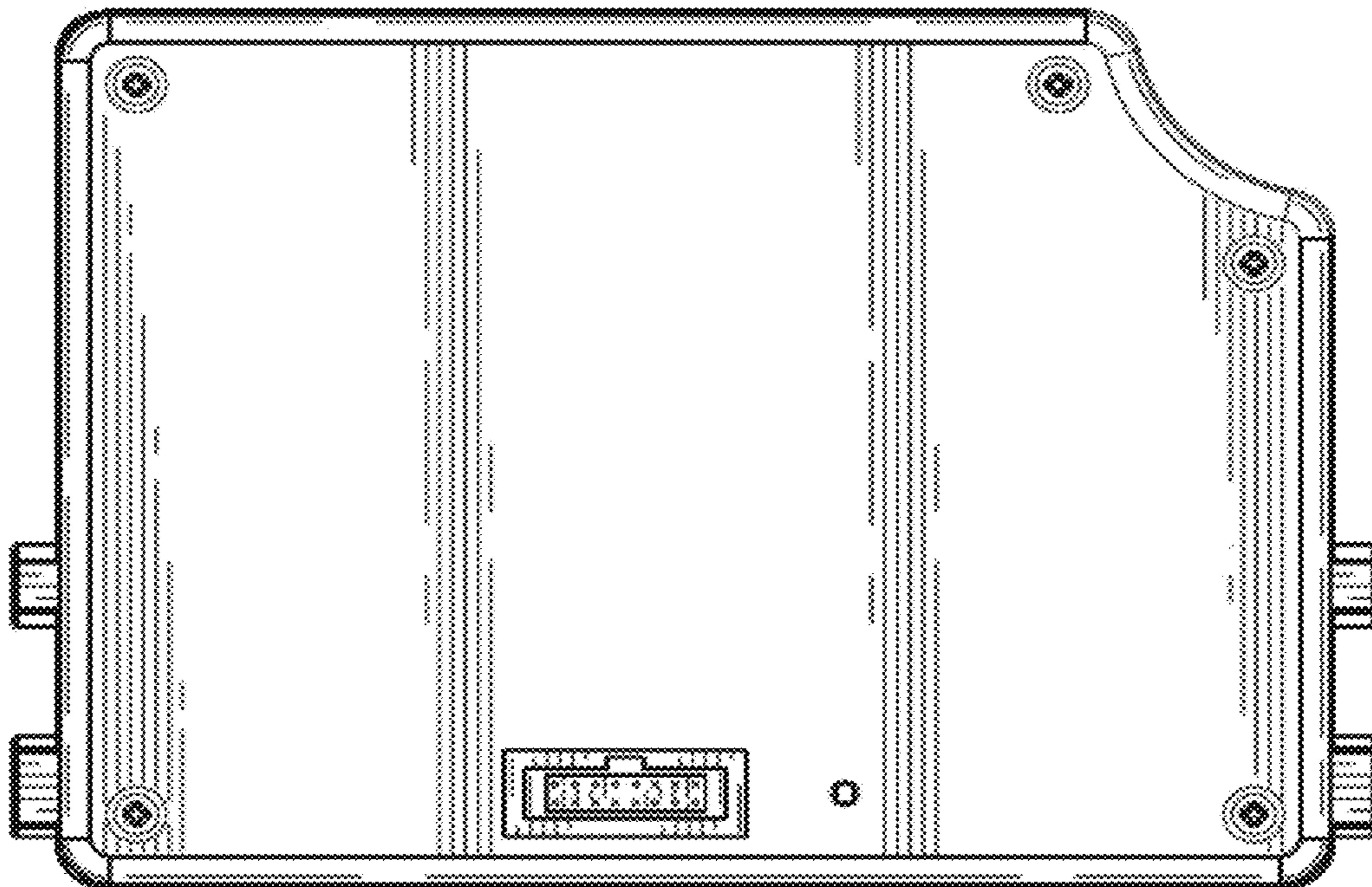


FIG. 7