



US00D680500S

(12) **United States Design Patent**
Xie et al.

(10) **Patent No.:** **US D680,500 S**

(45) **Date of Patent:** **** Apr. 23, 2013**

(54) **PLUG CONNECTOR**

(75) Inventors: **Bao-Geng Xie**, Guang-Dong (CN);
Wei-Hong Liao, Guang-Dong (CN);
Yin-Lung Wu, New Taipei (TW);
Ming-Chiang Chen, New Taipei (TW)

(73) Assignee: **Cheng Uei Precision Industry Co., Ltd.**, New Taipei (TW)

(**) Term: **14 Years**

(21) Appl. No.: **29/408,167**

(22) Filed: **Dec. 7, 2011**

(51) **LOC (9) Cl.** **13-03**

(52) **U.S. Cl.**
USPC **D13/147**

(58) **Field of Classification Search** D13/147,
D13/154, 184, 199; 439/79, 108, 350, 353,
439/357, 358, 378, 447, 578, 567, 595, 607.01,
439/607.04, 607.05, 607.17, 607.25, 607.34,
439/607.41, 607.53, 660, 668, 677, 680-682,
439/686

See application file for complete search history.

(56) **References Cited**

U.S. PATENT DOCUMENTS

D583,766	S	*	12/2008	Chiang	D13/147
D592,148	S	*	5/2009	Ho	D13/147
D647,860	S	*	11/2011	Wang	D13/147
D647,861	S	*	11/2011	Wang	D13/147

* cited by examiner

Primary Examiner — Daniel Bui

(74) *Attorney, Agent, or Firm* — Cheng-Ju Chiang

(57) **CLAIM**

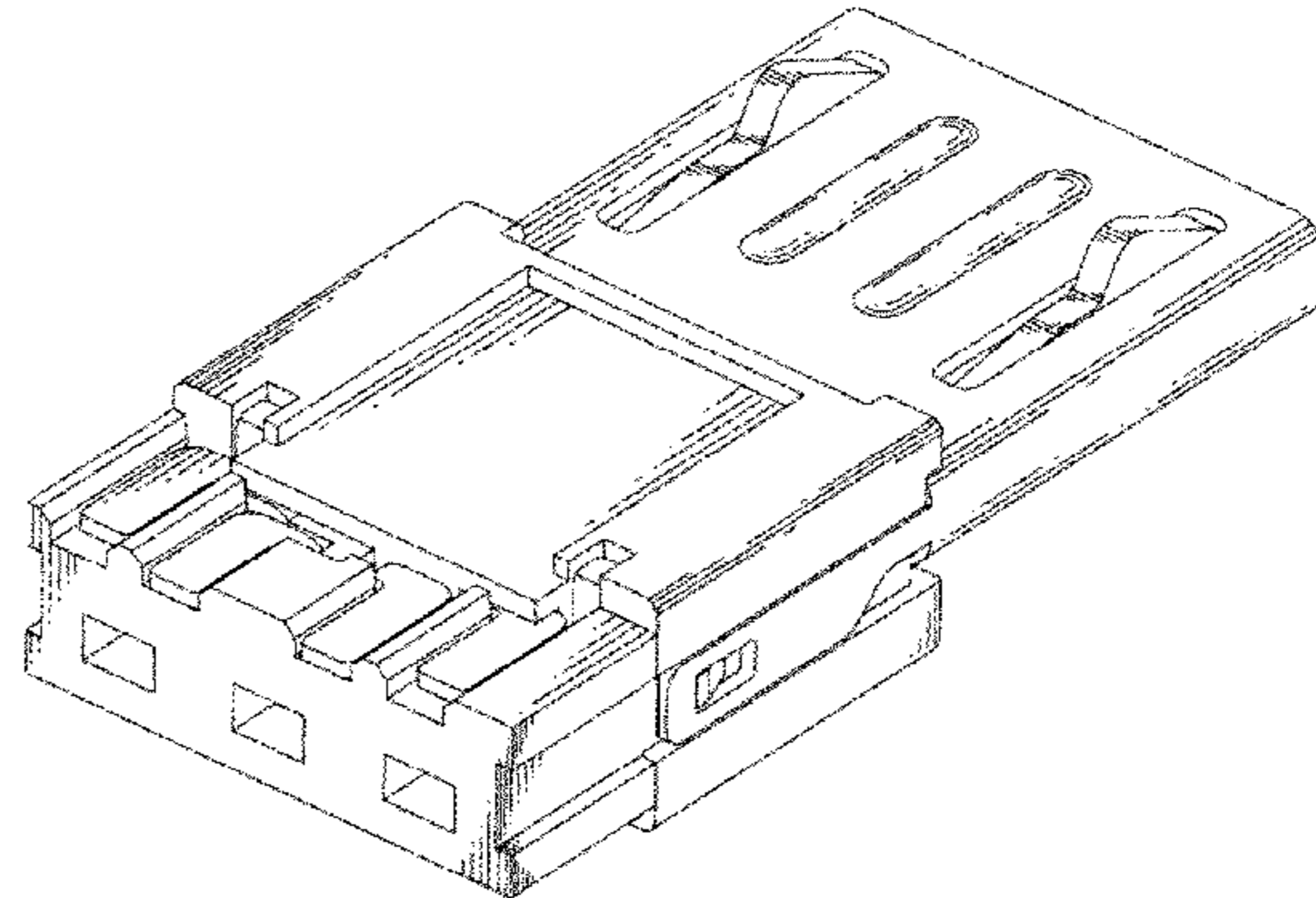
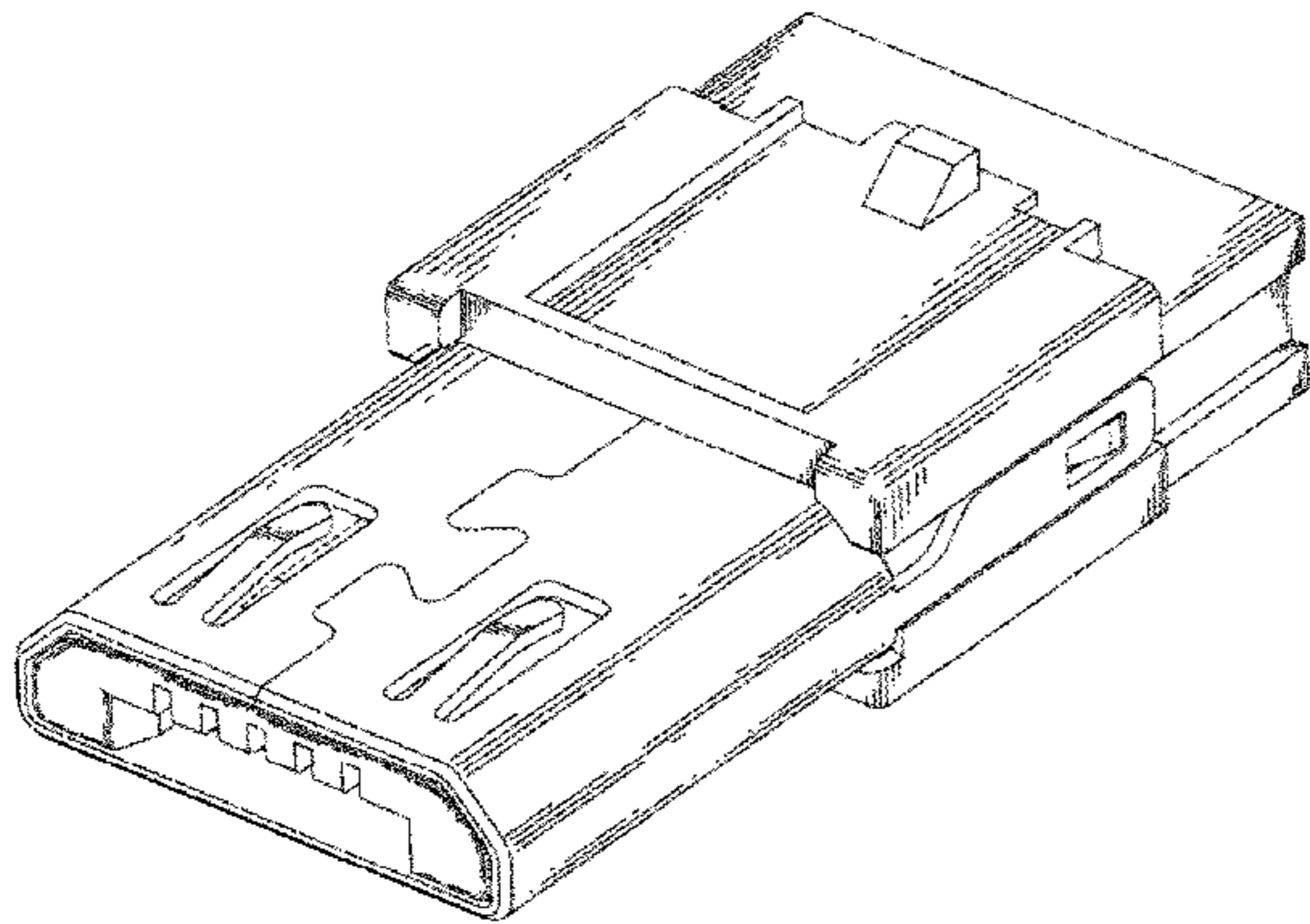
The ornamental design for a plug connector, as shown and described.

DESCRIPTION

FIG. 1 is a perspective view of a plug connector showing our new design;
FIG. 2 is a front elevational view thereof;
FIG. 3 is a rear elevational view thereof;
FIG. 4 is a left side elevational view thereof;
FIG. 5 is a right side elevational view thereof;
FIG. 6 is a top plan view thereof;
FIG. 7 is a bottom plan view thereof; and,
FIG. 8 is another perspective view of the plug connector showing our new design.

The broken line portion of the figure drawings is included to show unclaimed subject matter only and forms no part of the claimed design.

1 Claim, 8 Drawing Sheets



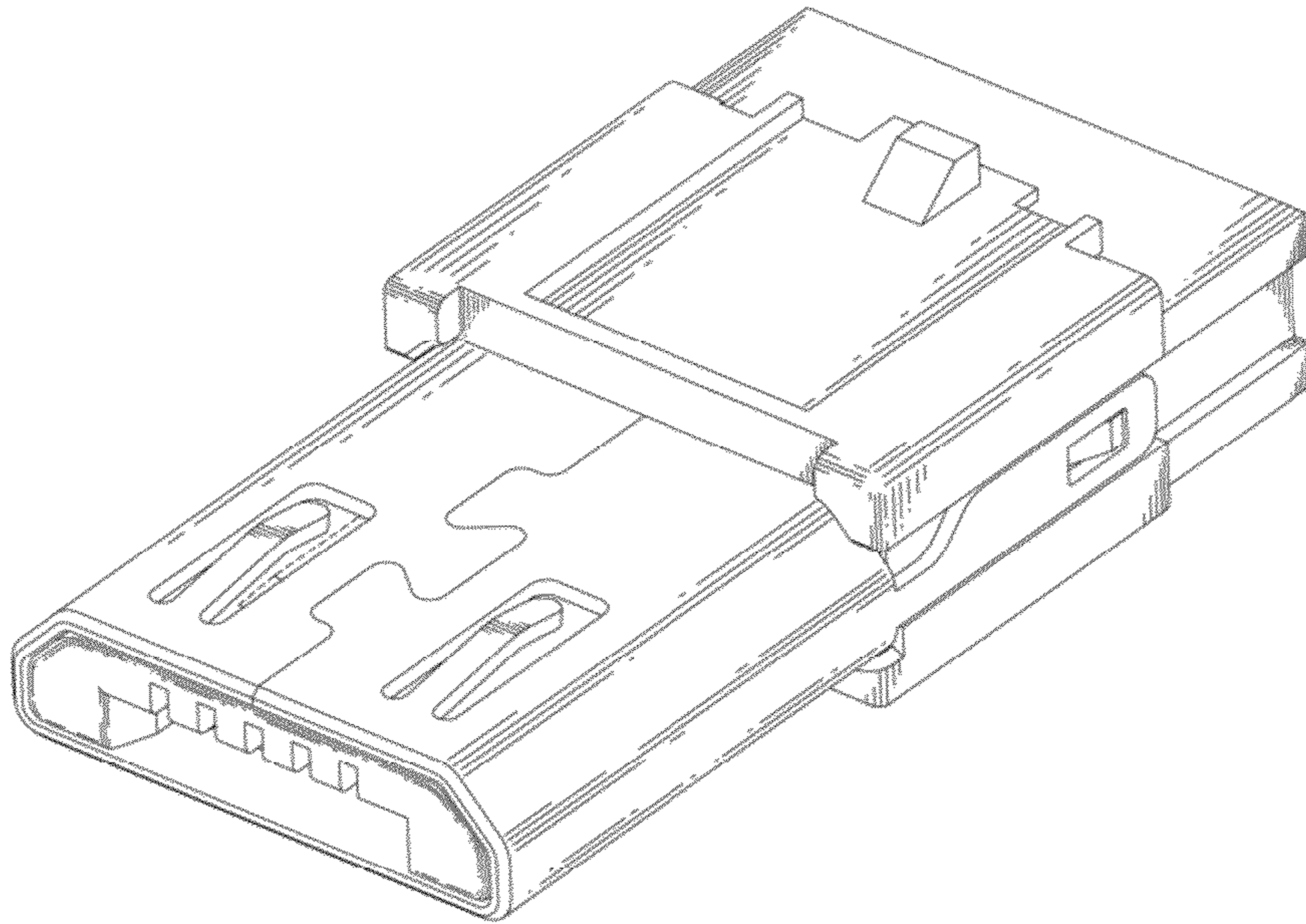


FIG. 1

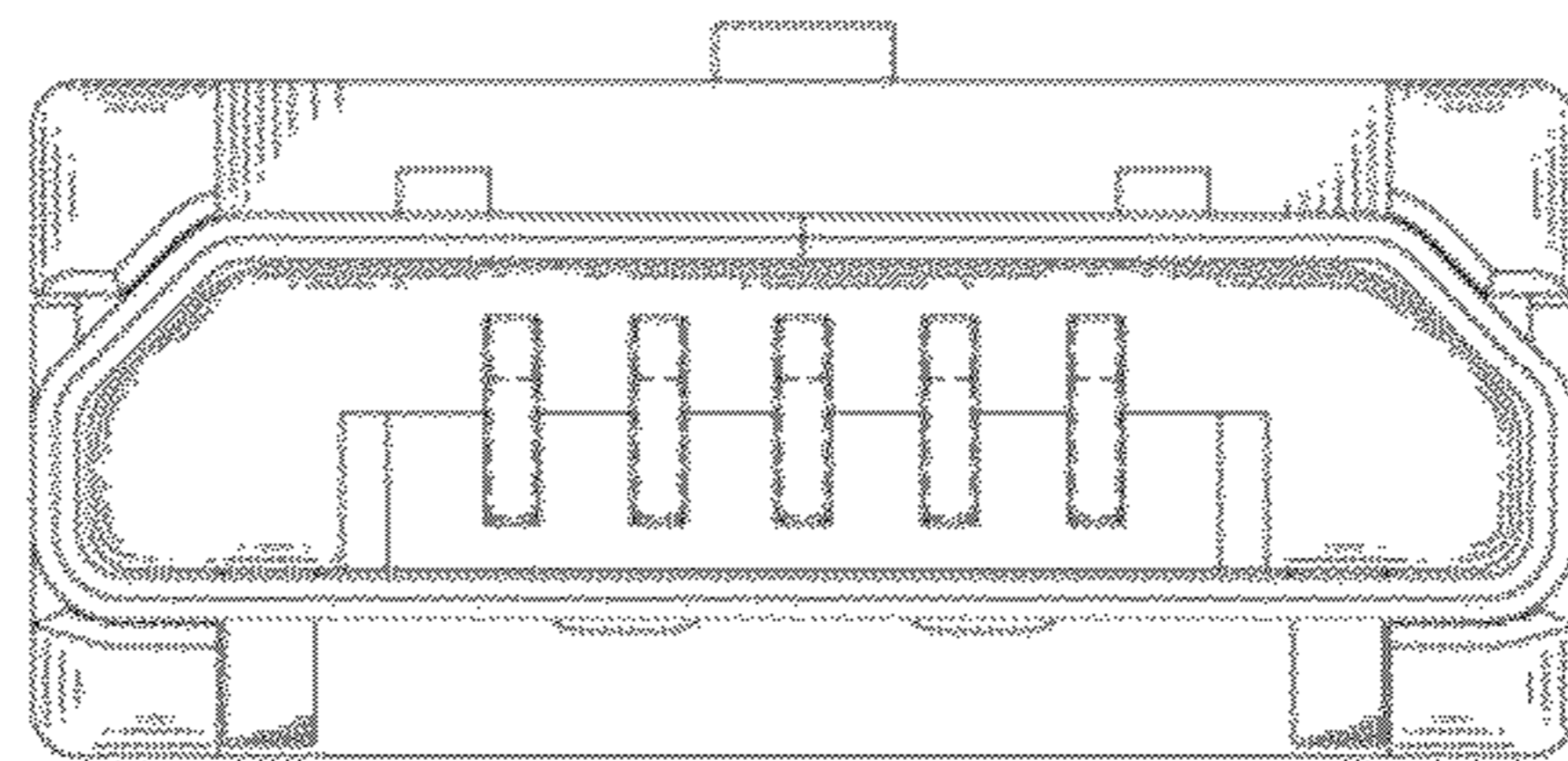


FIG. 2

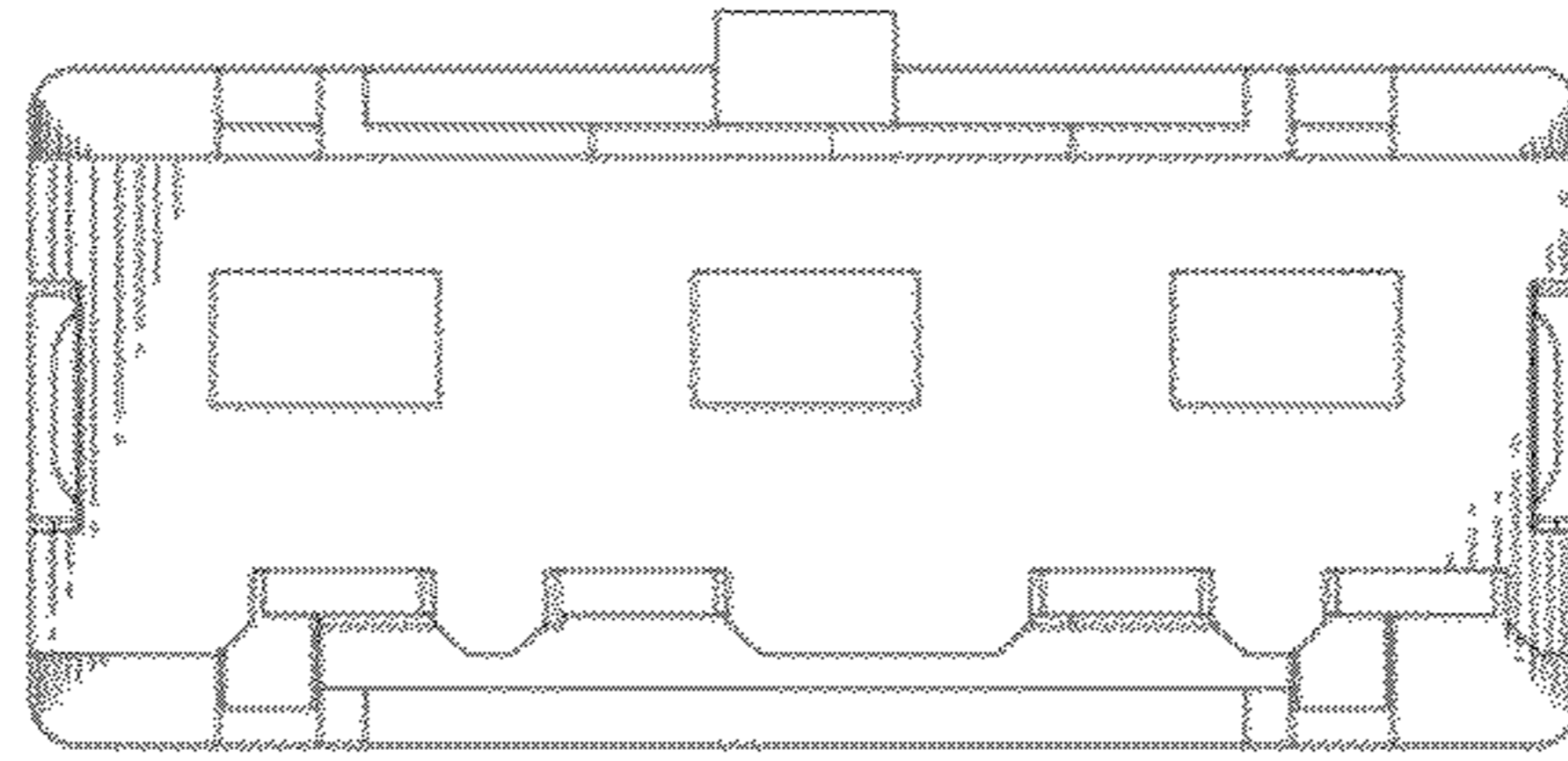


FIG. 3

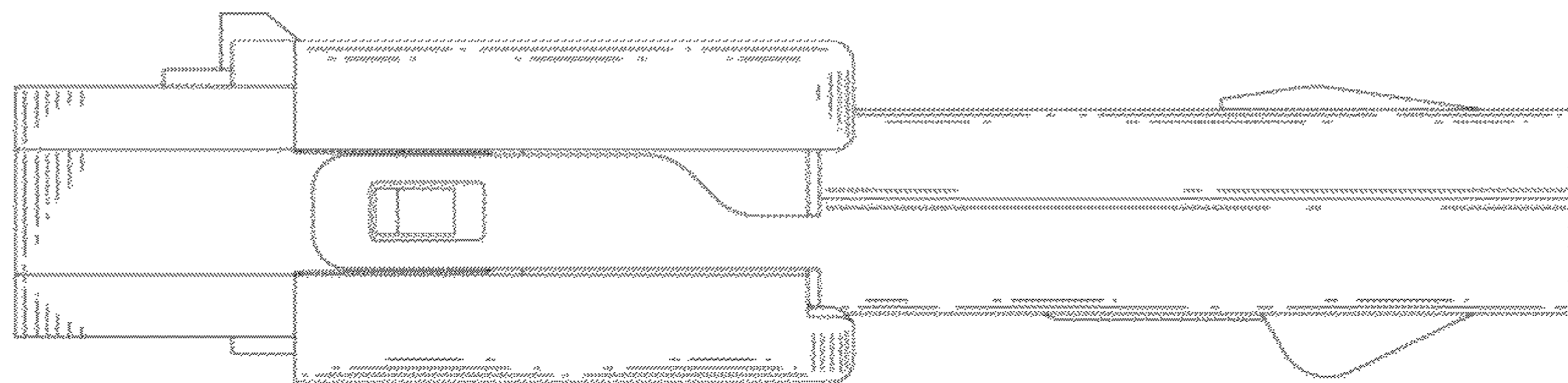


FIG. 4

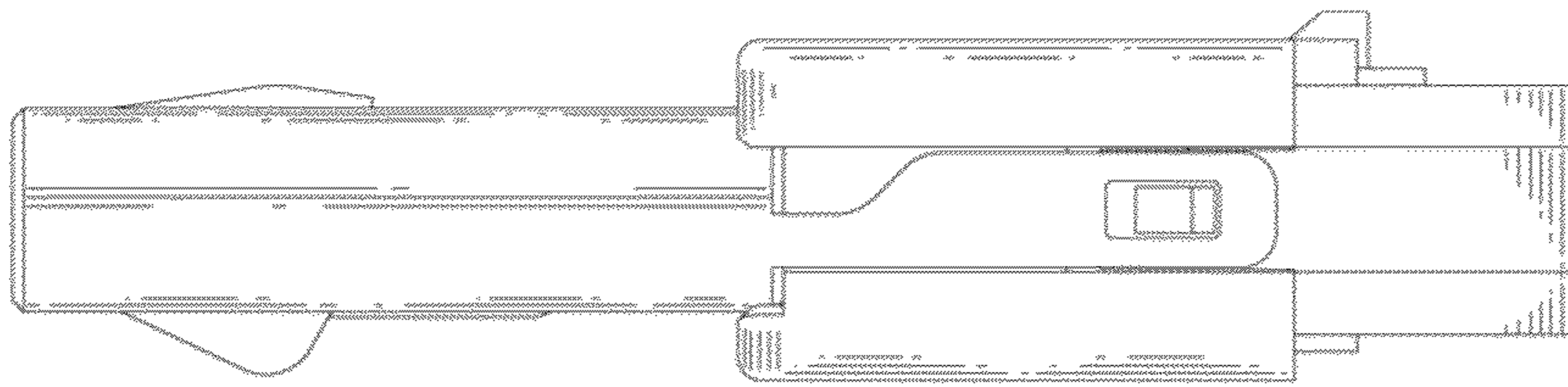


FIG. 5

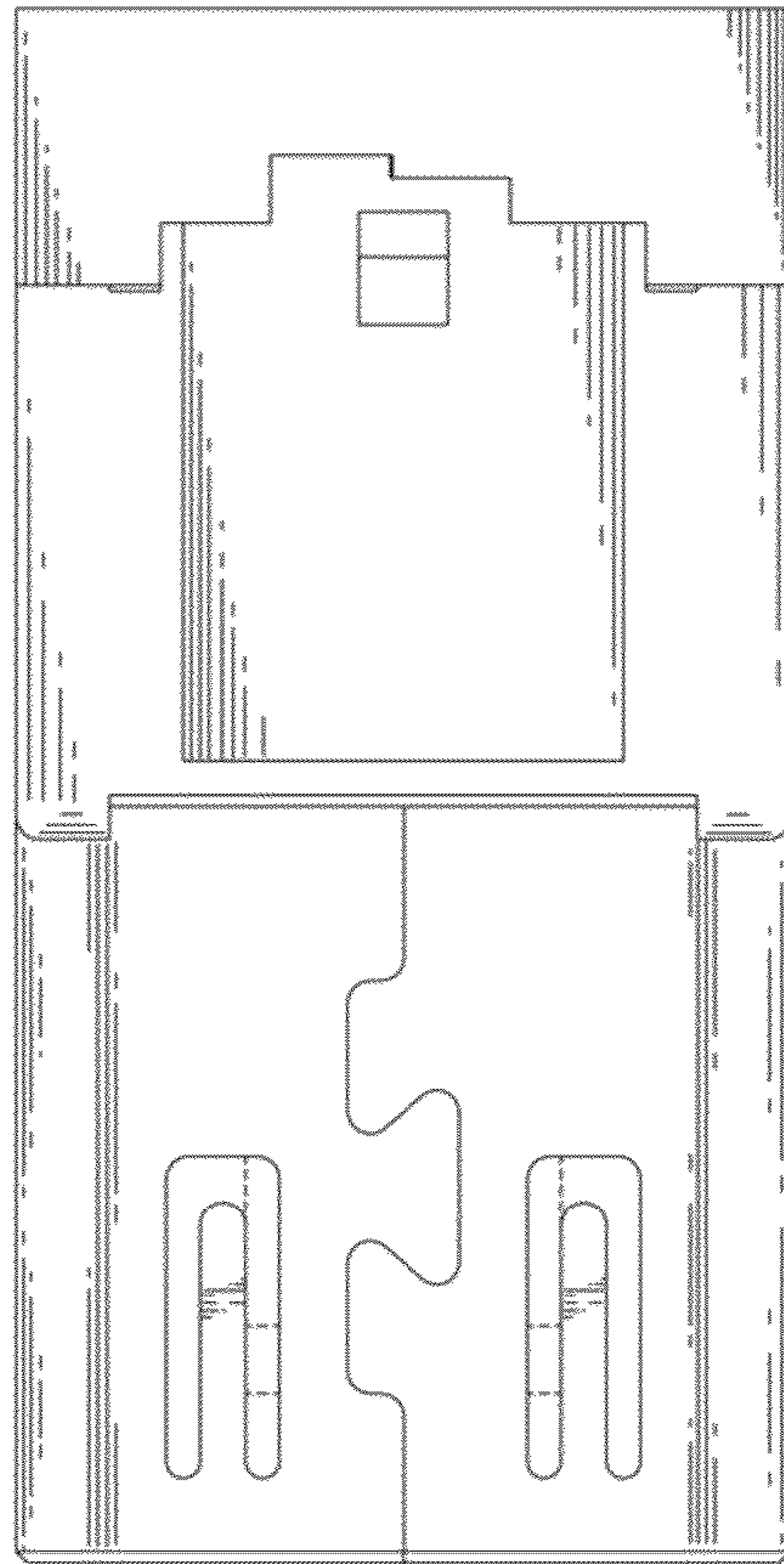


FIG. 6

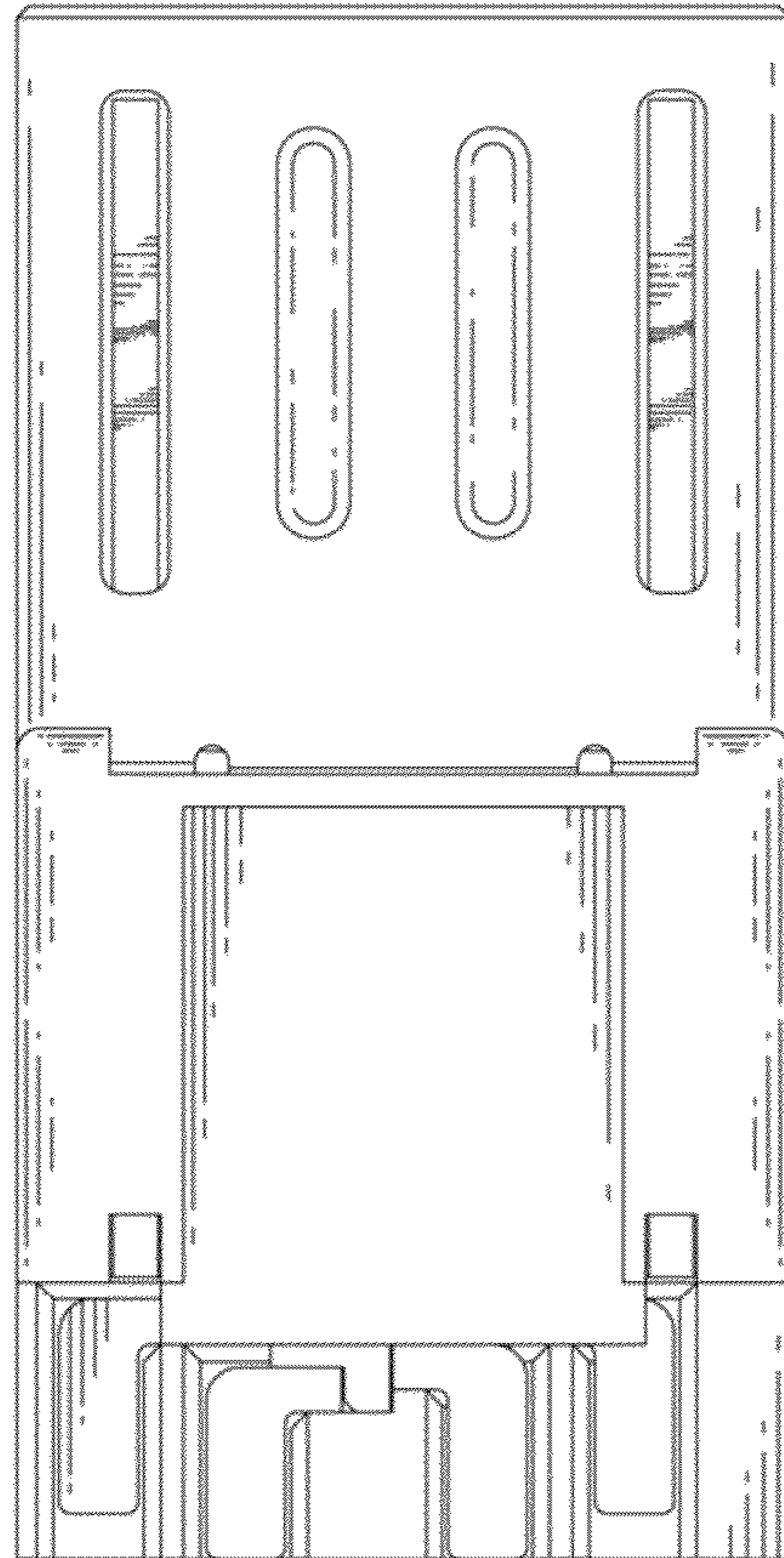


FIG. 7

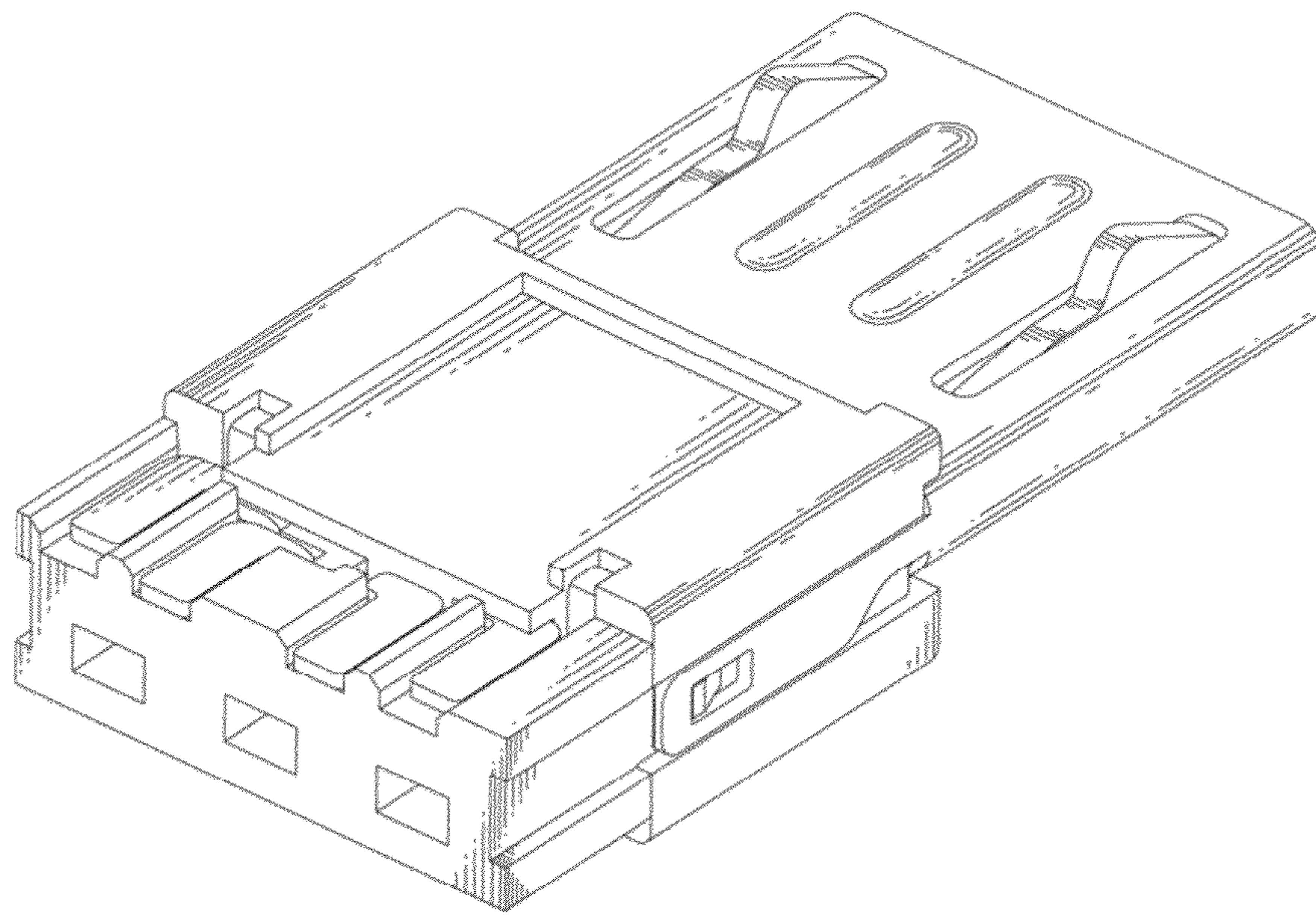


FIG. 8