



US00D680498S

(12) **United States Design Patent**  
**Huang et al.**

(10) **Patent No.:** **US D680,498 S**  
(45) **Date of Patent:** **\*\* Apr. 23, 2013**

(54) **PLUG CONNECTOR**

(75) Inventors: **Guang-Li Huang**, Guang-Dong (CN);  
**Li-Jun Xu**, Guang-Dong (CN);  
**Ming-Han Lin**, New Taipei (TW)

(73) Assignee: **Cheng UEI Precision Industry Co., Ltd.**, New Taipei (TW)

(\*\*) Term: **14 Years**

(21) Appl. No.: **29/400,312**

(22) Filed: **Aug. 25, 2011**

(51) **LOC (9) Cl.** ..... **D13-03**

(52) **U.S. Cl.**  
USPC ..... **D13/147**

(58) **Field of Classification Search** ..... D13/147,  
D13/154, 184, 199; 439/79, 108, 350, 353,  
439/357, 358, 378, 447, 578, 567, 595, 607.01,  
439/607.04, 607.05, 607.17, 607.25, 607.34,  
439/607.41, 607.53, 660, 668, 677, 680-682,  
439/686

See application file for complete search history.

(56) **References Cited**

**U.S. PATENT DOCUMENTS**

D503,683 S \* 4/2005 Wang ..... D13/147  
D531,123 S \* 10/2006 Hu et al. .... D13/147

D551,627 S \* 9/2007 Chang et al. .... D13/147  
7,442,066 B1 \* 10/2008 Ho et al. .... 439/358  
D584,692 S \* 1/2009 Koyama et al. .... D13/147  
D592,143 S \* 5/2009 Ho et al. .... D13/147  
7,815,470 B2 \* 10/2010 Ho ..... 439/607.48

\* cited by examiner

*Primary Examiner* — Daniel Bui

(74) *Attorney, Agent, or Firm* — Cheng-Ju Chiang

(57) **CLAIM**

The ornamental design for a plug connector, as shown and described.

**DESCRIPTION**

FIG. 1 is a perspective view of a plug connector showing our new design;

FIG. 2 is a front elevational view thereof;

FIG. 3 is a rear elevational view thereof;

FIG. 4 is a left side elevational view thereof;

FIG. 5 is a right side elevational view thereof;

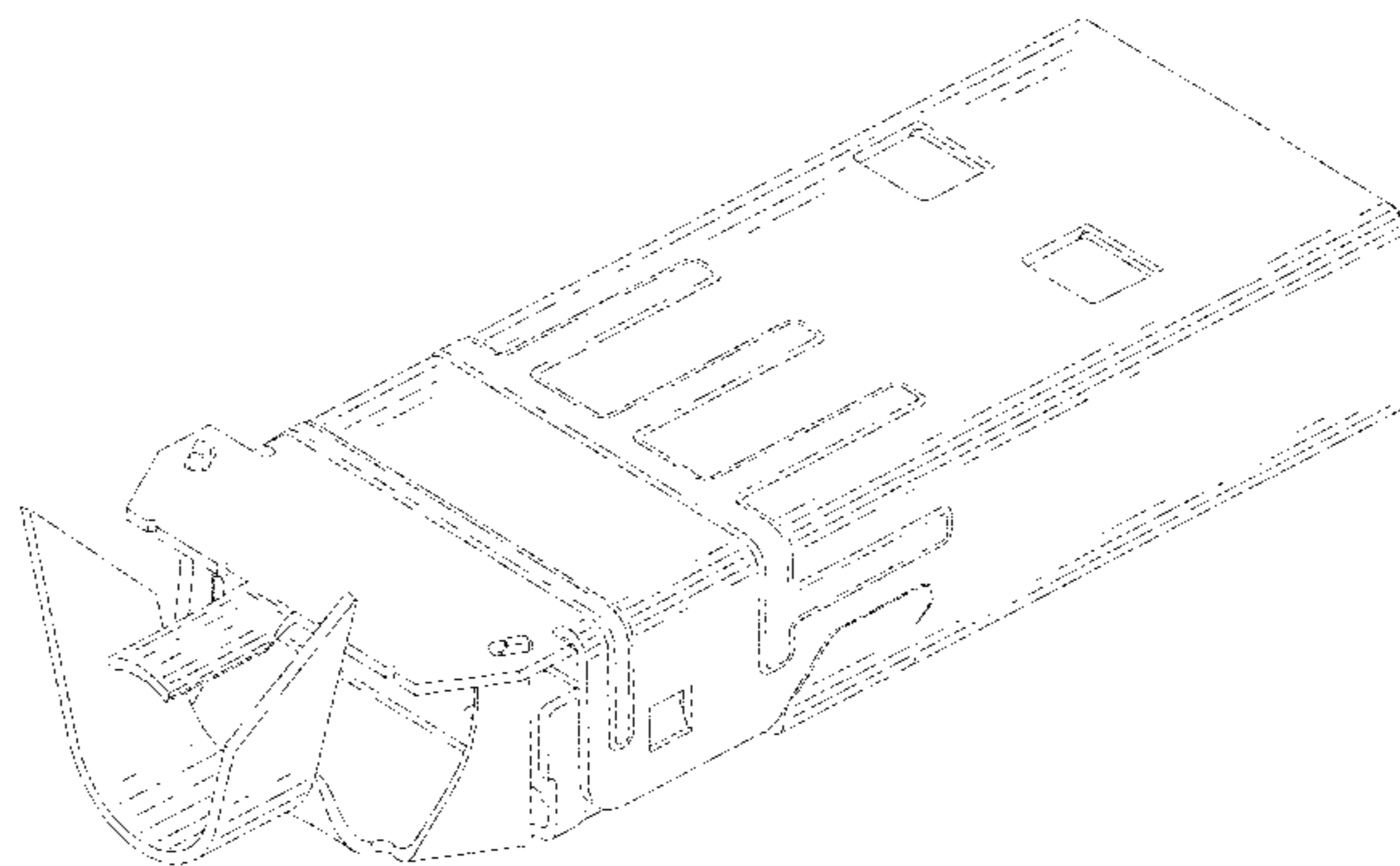
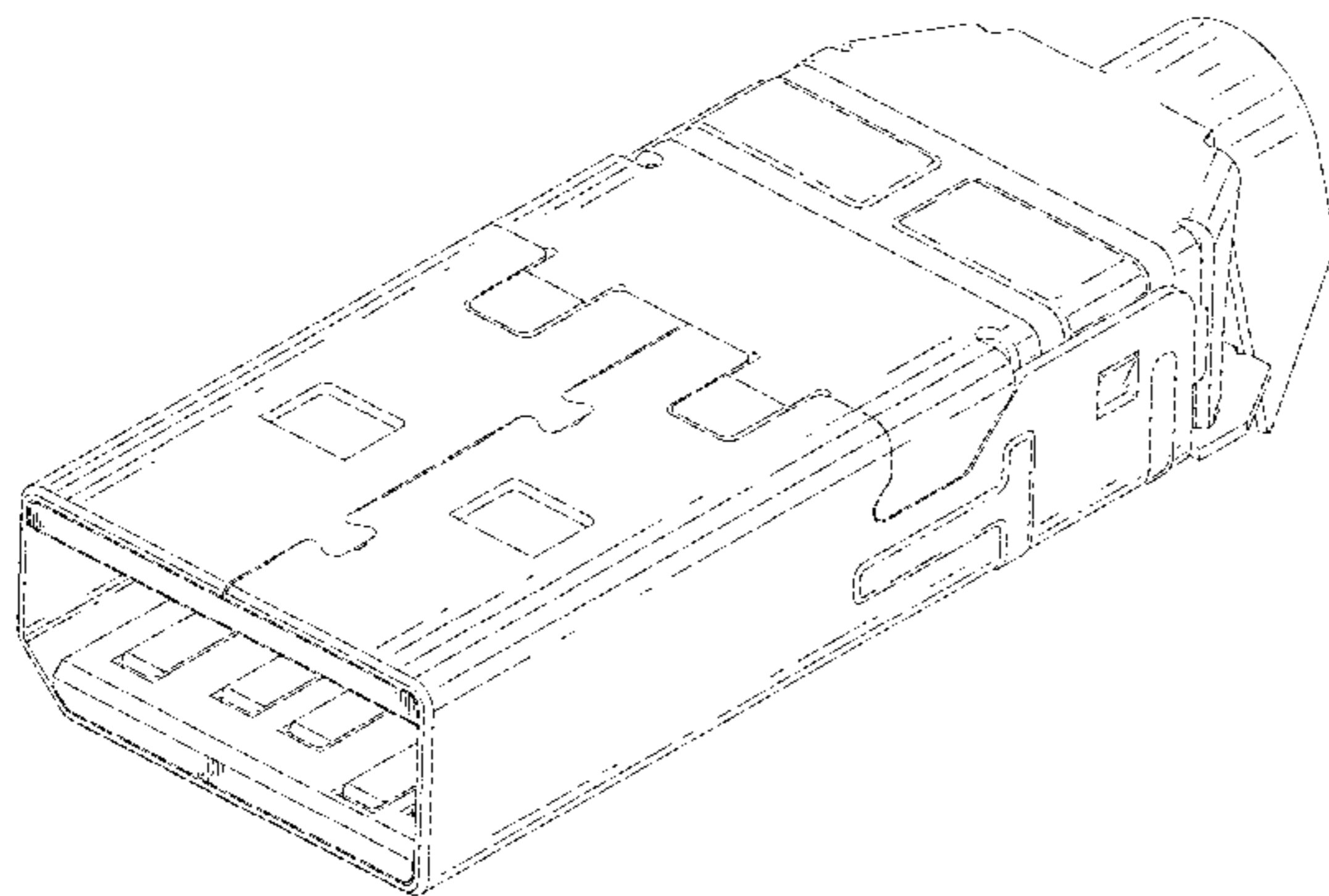
FIG. 6 is a top plan view thereof;

FIG. 7 is a bottom plan view thereof; and,

FIG. 8 is another perspective view of the plug connector showing our new design.

The broken line portion of the figure drawings is included to show unclaimed subject matter only and forms no part of the claimed design.

**1 Claim, 8 Drawing Sheets**



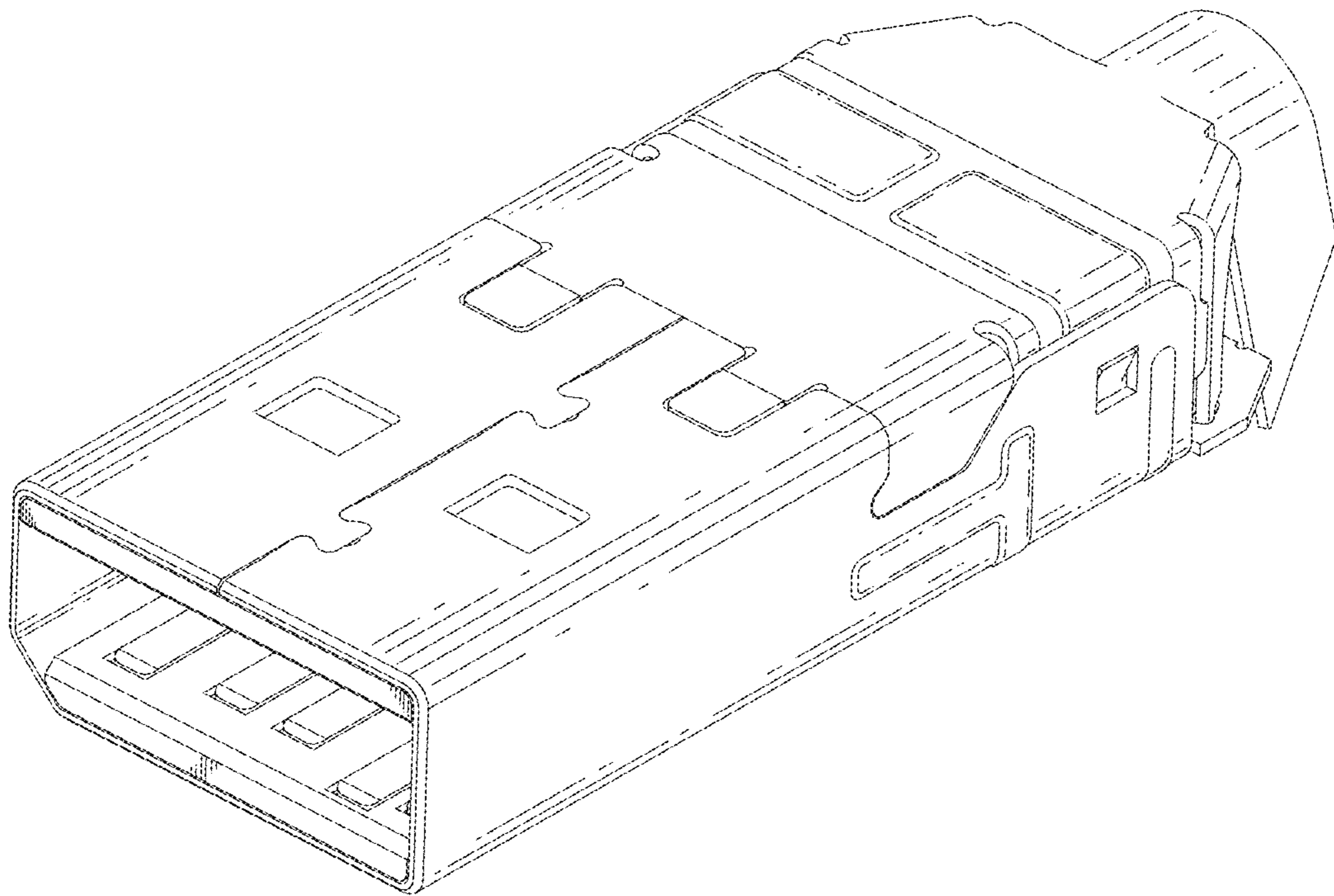


FIG. 1

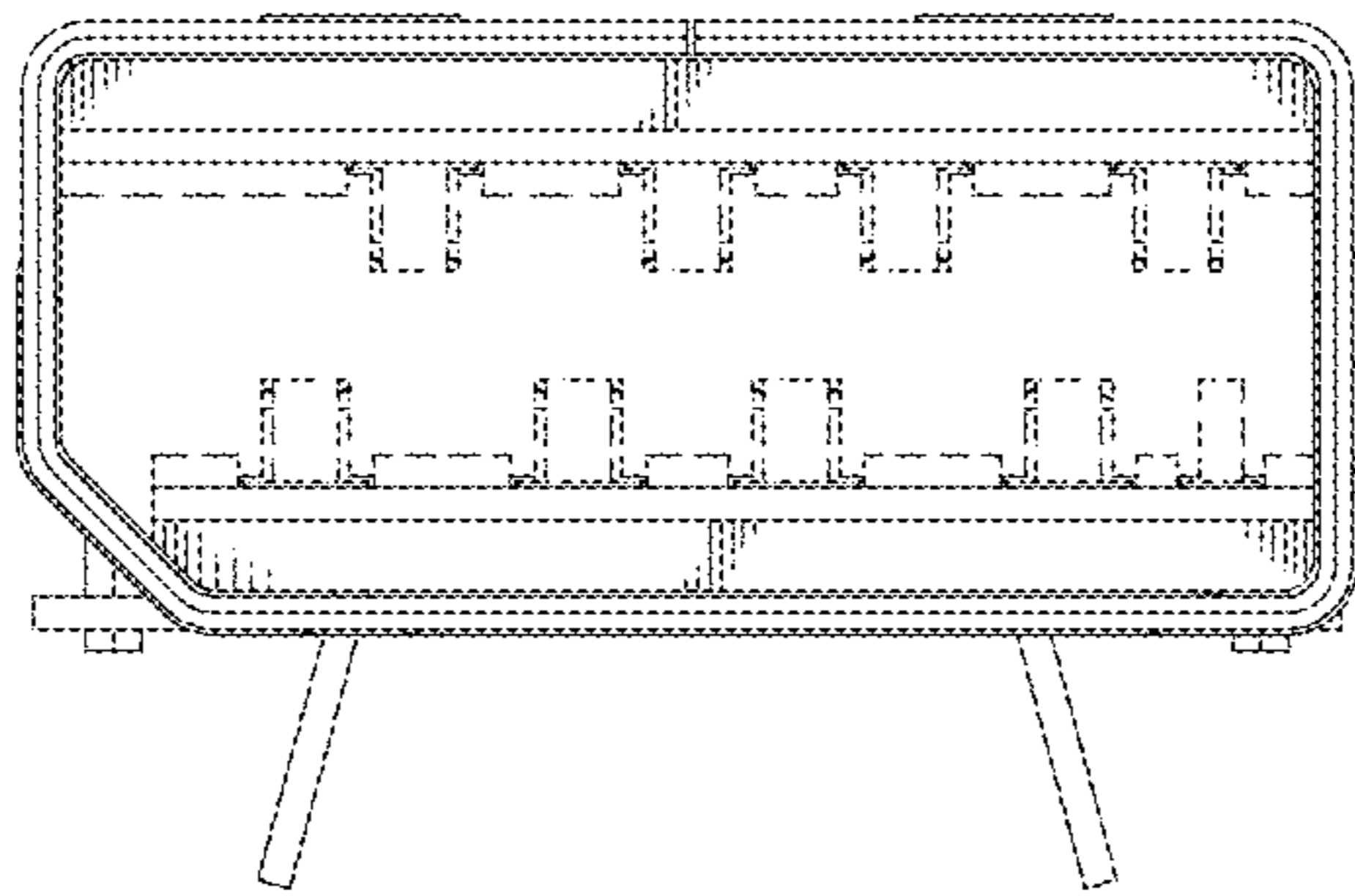


FIG. 2

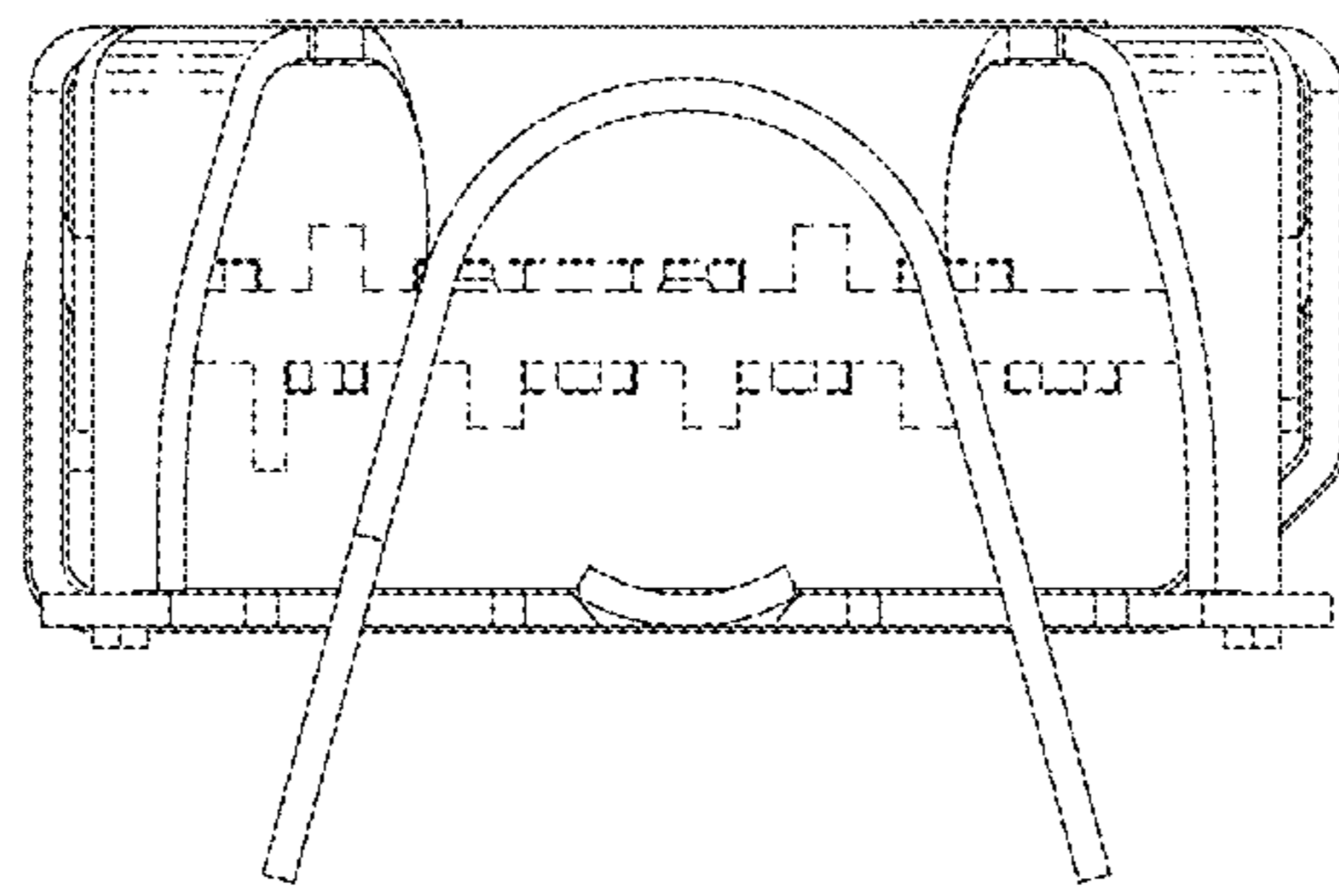


FIG. 3

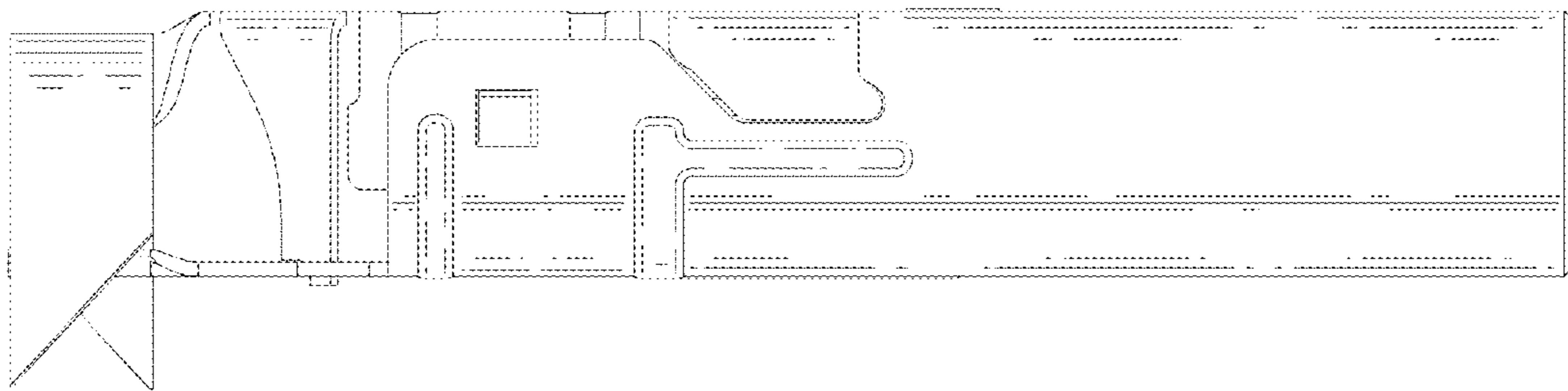


FIG. 4

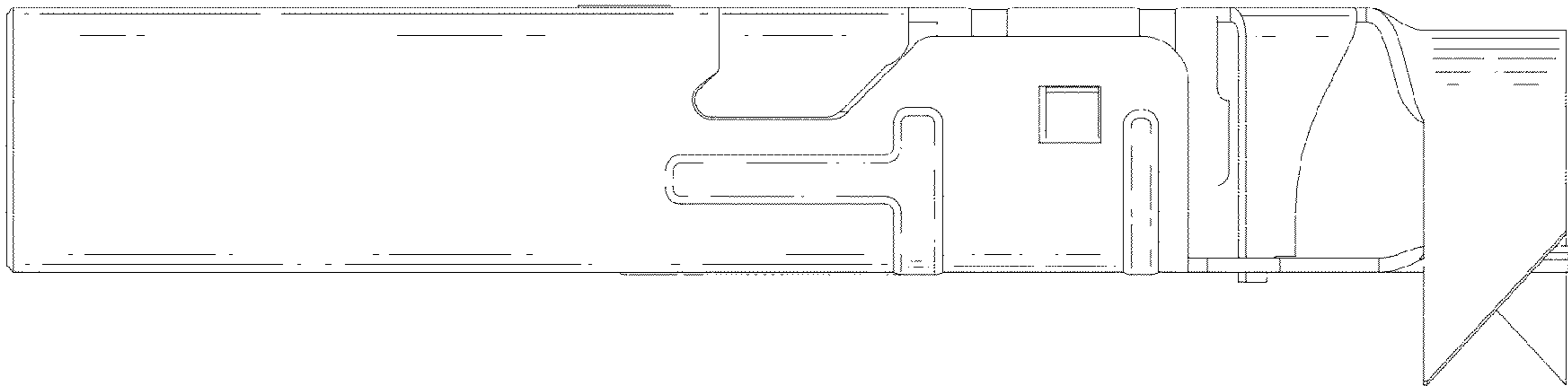


FIG. 5

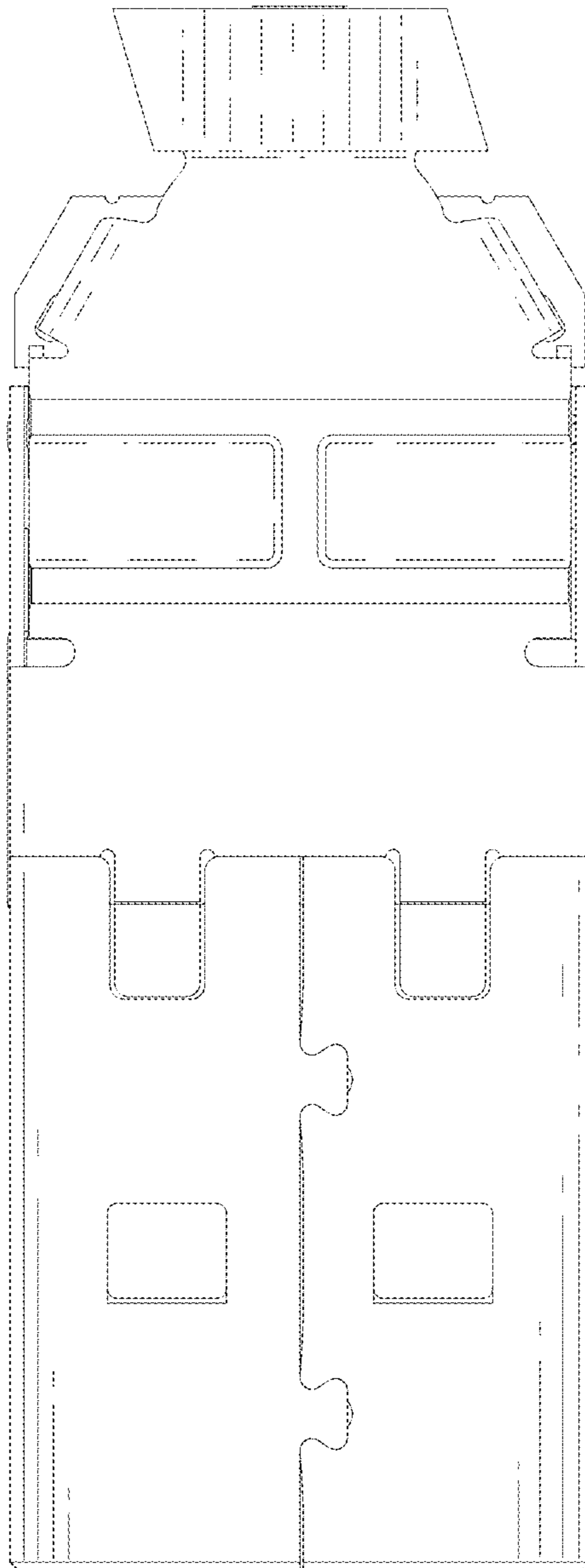


FIG. 6

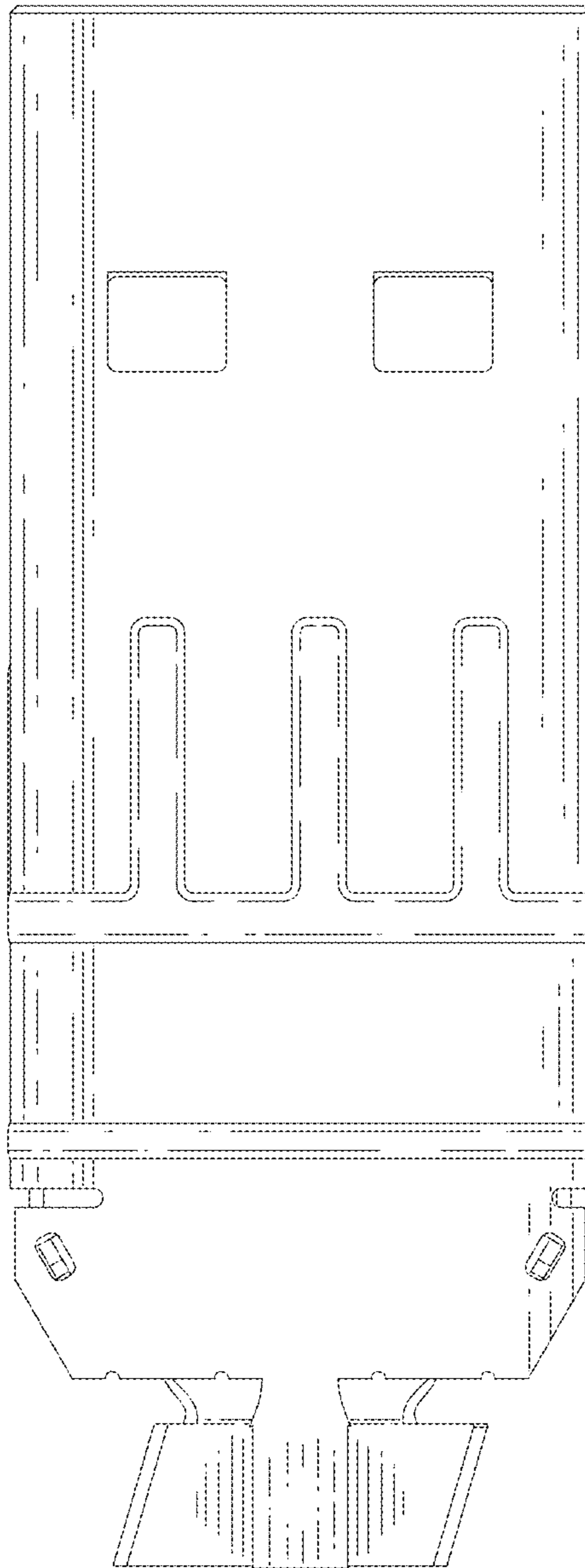


FIG. 7



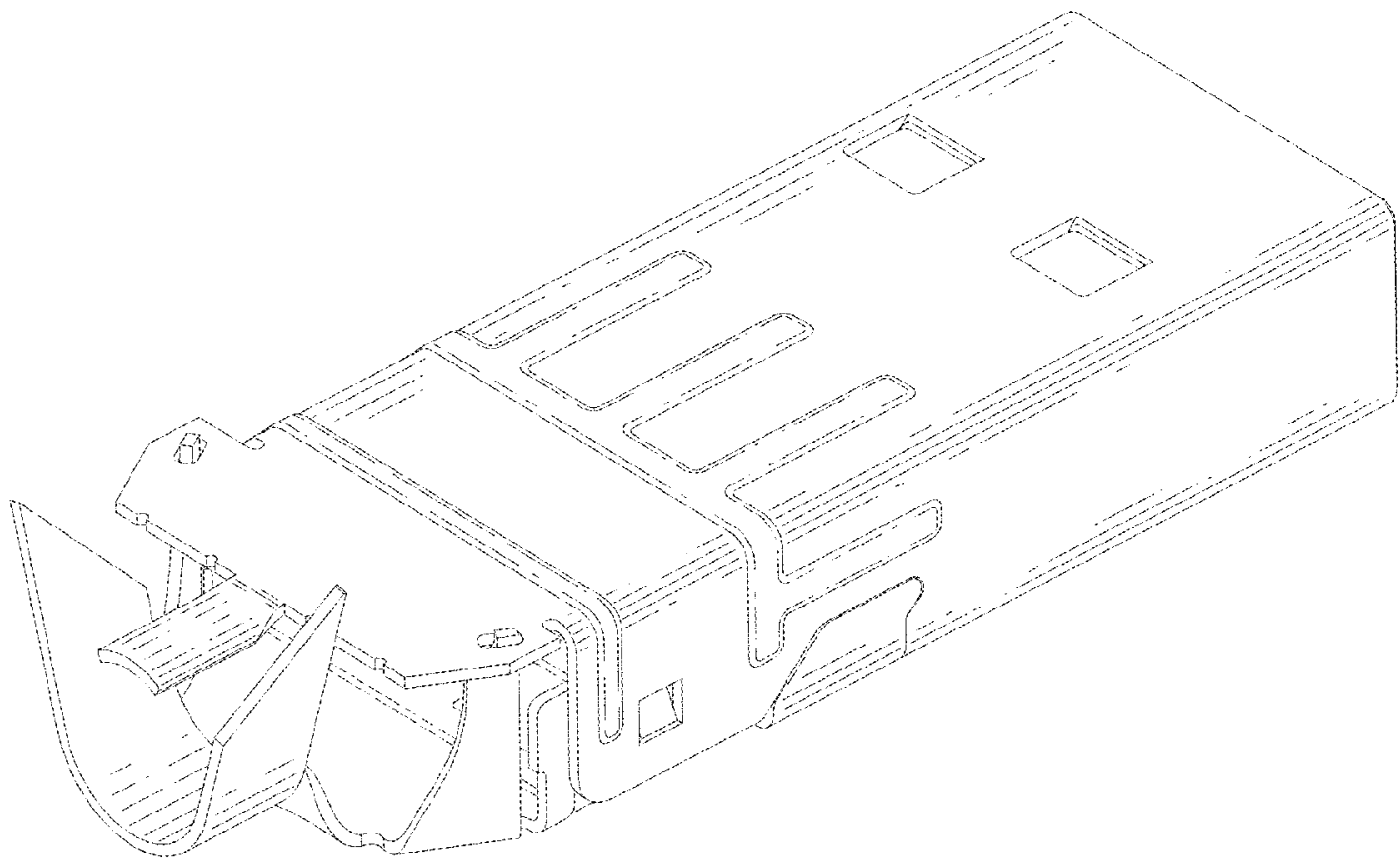


FIG. 8