



US00D680496S

(12) **United States Design Patent**
Huang et al.

(10) **Patent No.:** **US D680,496 S**
(45) **Date of Patent:** **** Apr. 23, 2013**

- (54) **RECEPTACLE CONNECTOR**
- (75) Inventors: **Guang-Li Huang**, Guang-Dong (CN);
Ming-Han Lin, New Taipei (TW);
Li-Jun Xu, Guang-Dong (CN)
- (73) Assignee: **Cheng Uei Precision Industry Co., Ltd.**, New Taipei (TW)
- (**) Term: **14 Years**
- (21) Appl. No.: **29/399,412**
- (22) Filed: **Aug. 12, 2011**
- (51) **LOC (9) Cl.** **13-03**
- (52) **U.S. Cl.**
USPC **D13/147**
- (58) **Field of Classification Search** D13/147,
D13/154, 184, 199; 439/79, 108, 350, 353,
439/357, 358, 378, 447, 578, 567, 595, 607.01,
439/607.04, 607.05, 607.17, 607.25, 607.34,
439/607.41, 607.53, 660, 668, 677, 680-682,
439/686
See application file for complete search history.

- D551,627 S * 9/2007 Chang et al. D13/147
- 7,442,066 B1 * 10/2008 Ho et al. 439/358
- D584,692 S * 1/2009 Koyama et al. D13/147
- D592,143 S * 5/2009 Ho et al. D13/147
- 7,815,470 B2 * 10/2010 Ho 439/607.48

* cited by examiner

Primary Examiner — Daniel Bui
(74) *Attorney, Agent, or Firm* — Cheng-Ju Chiang

(57) **CLAIM**
The ornamental design for a receptacle connector, as shown and described.

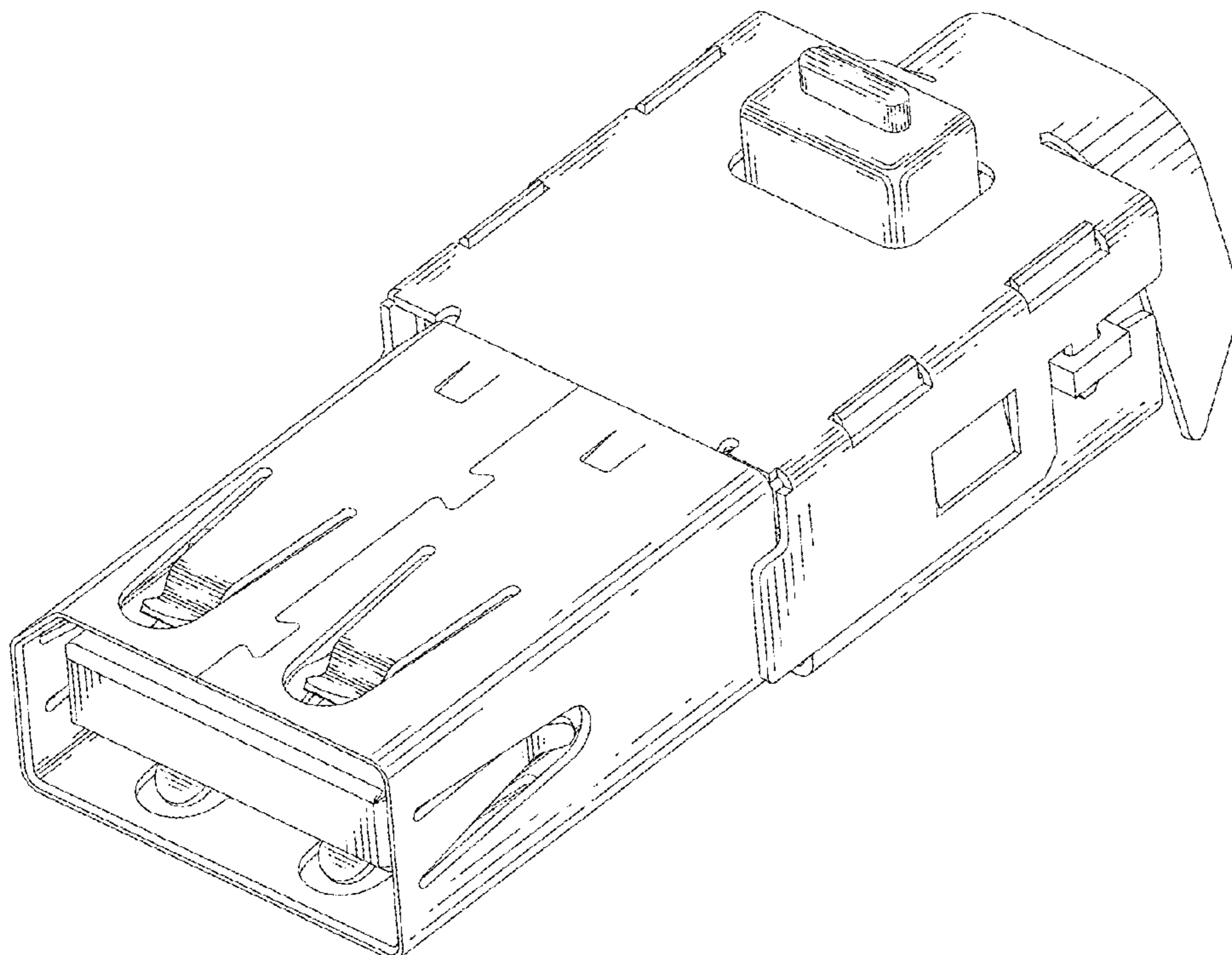
DESCRIPTION

FIG. 1 is a perspective view of a receptacle connector showing our new design;
FIG. 2 is a front elevational view thereof;
FIG. 3 is a rear elevational view thereof;
FIG. 4 is a left side elevational view thereof;
FIG. 5 is a right side elevational view thereof;
FIG. 6 is a top plan view thereof; and,
FIG. 7 is a bottom plan view thereof.
The broken line portion of the figure drawings is included to show unclaimed subject matter only and forms no part of the claimed design.

- (56) **References Cited**

U.S. PATENT DOCUMENTS
D503,683 S * 4/2005 Wang D13/147
D531,123 S * 10/2006 Hu et al. D13/147

1 Claim, 7 Drawing Sheets



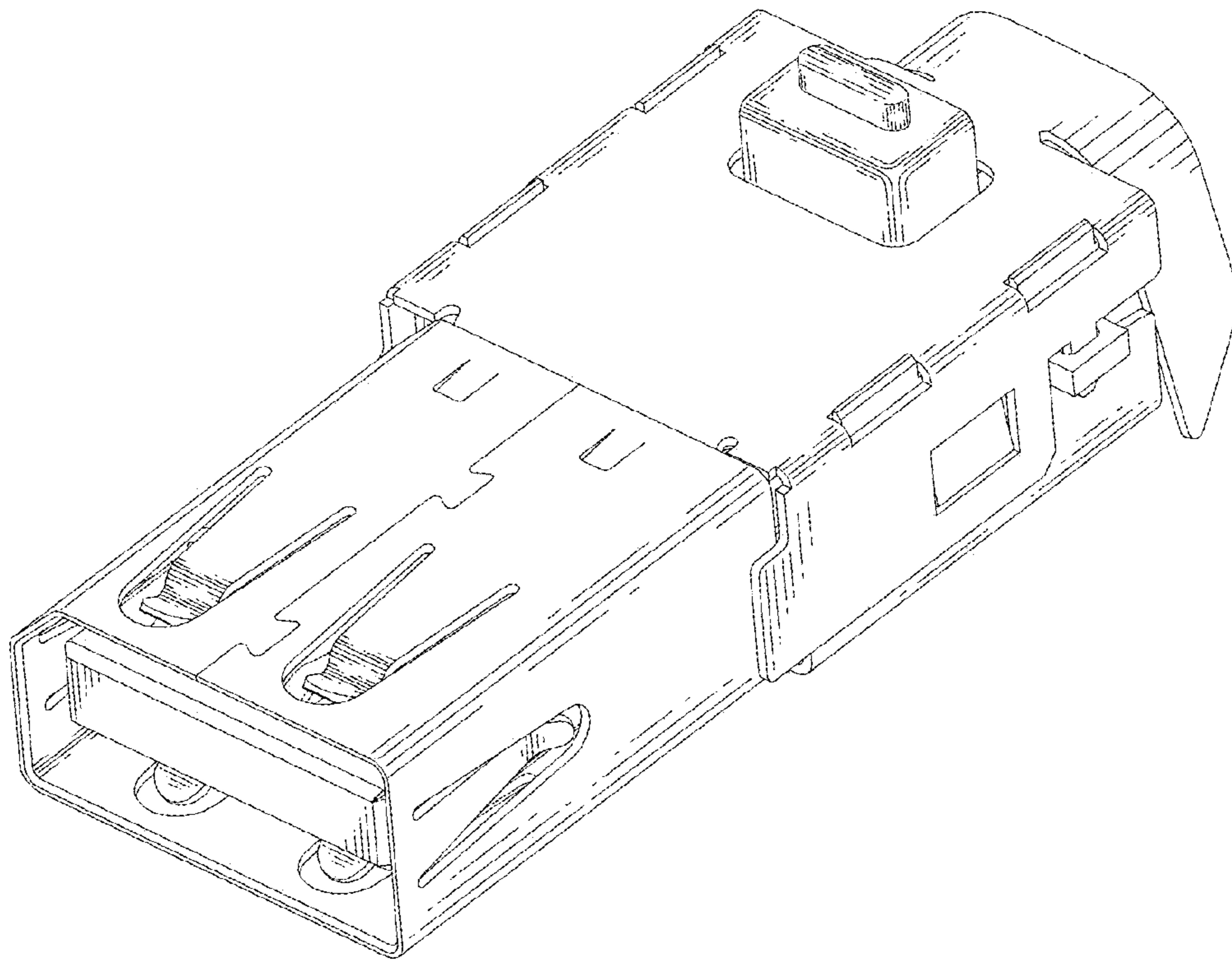


FIG. 1

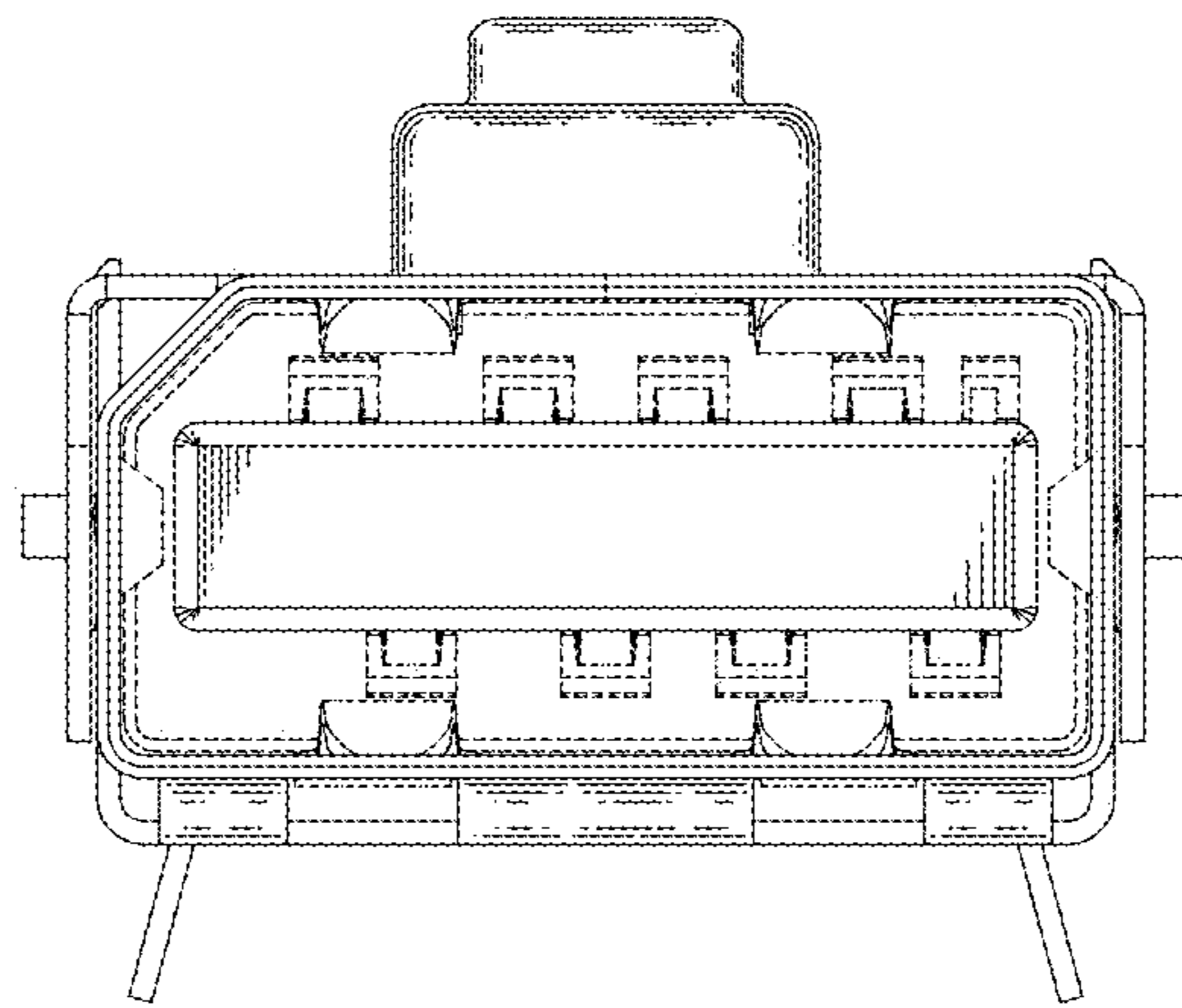


FIG. 2

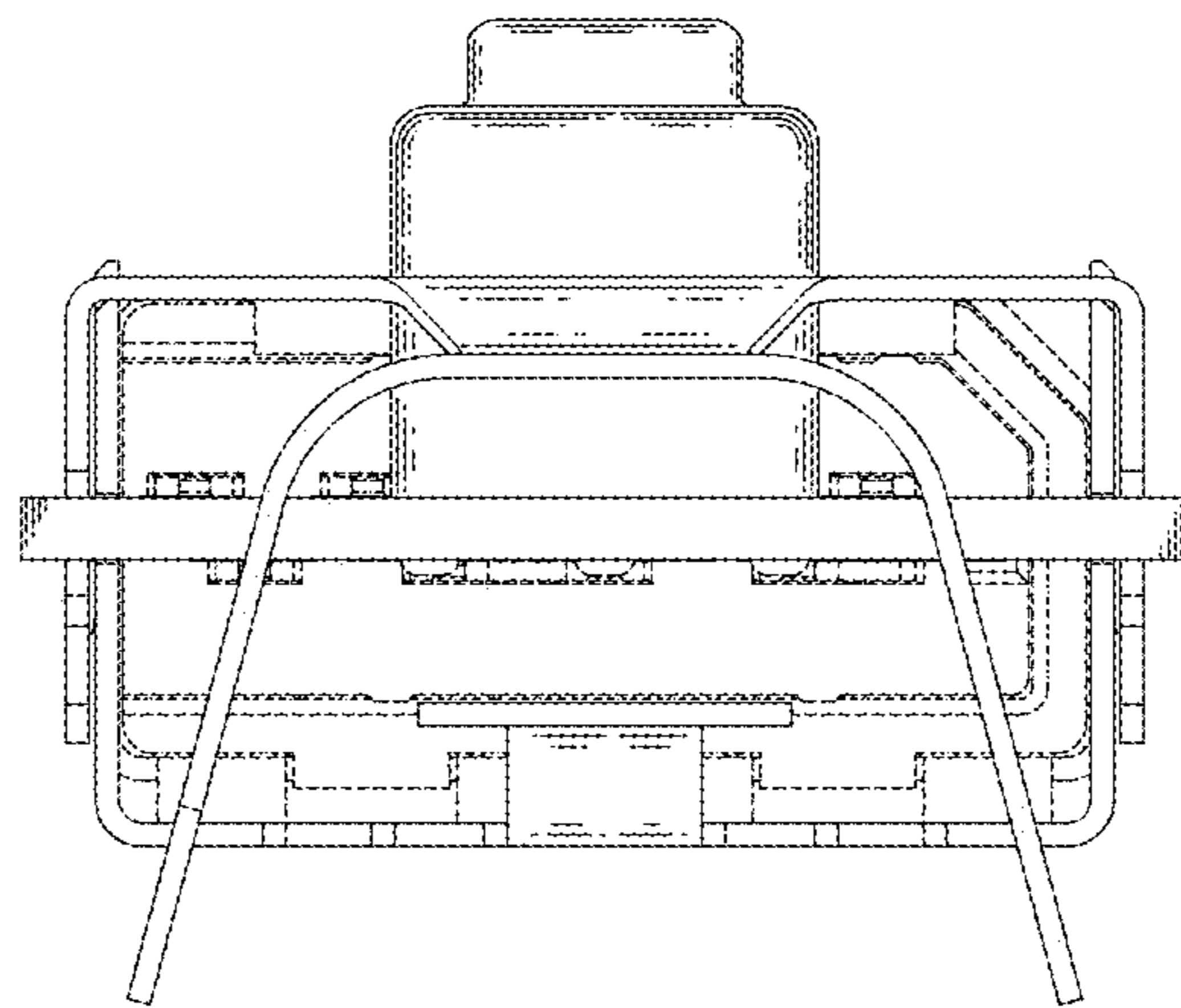


FIG. 3

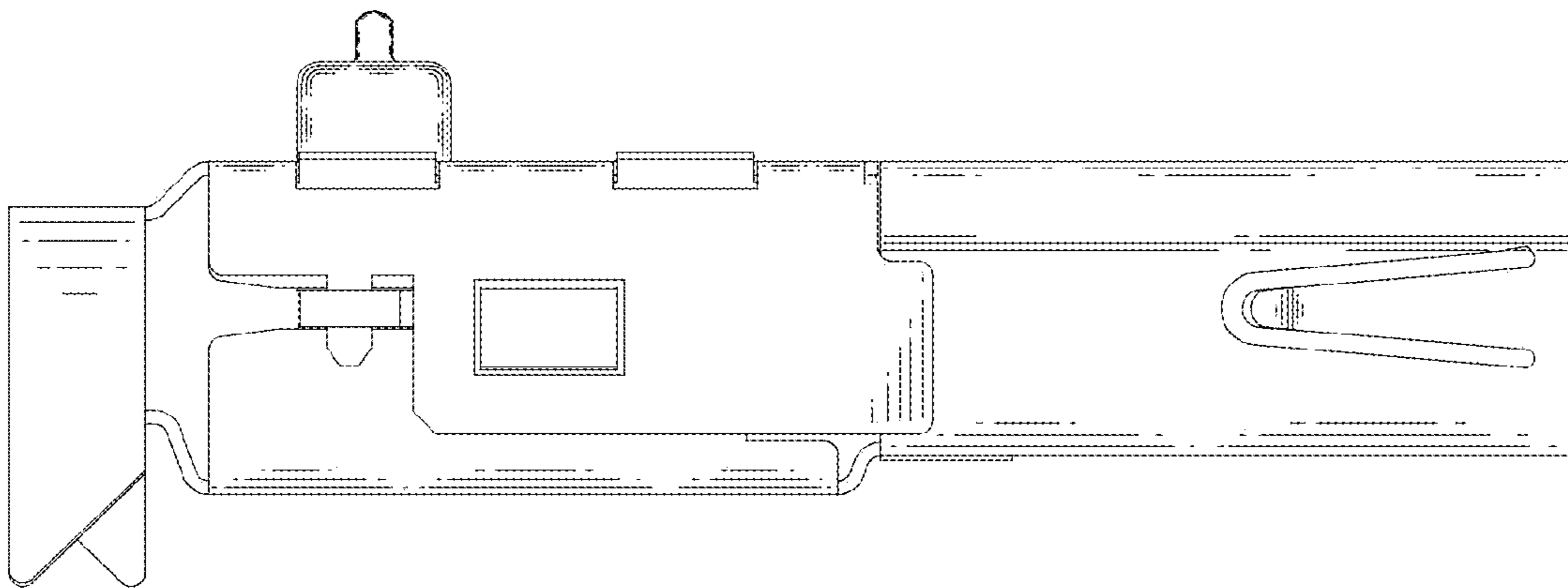


FIG. 4

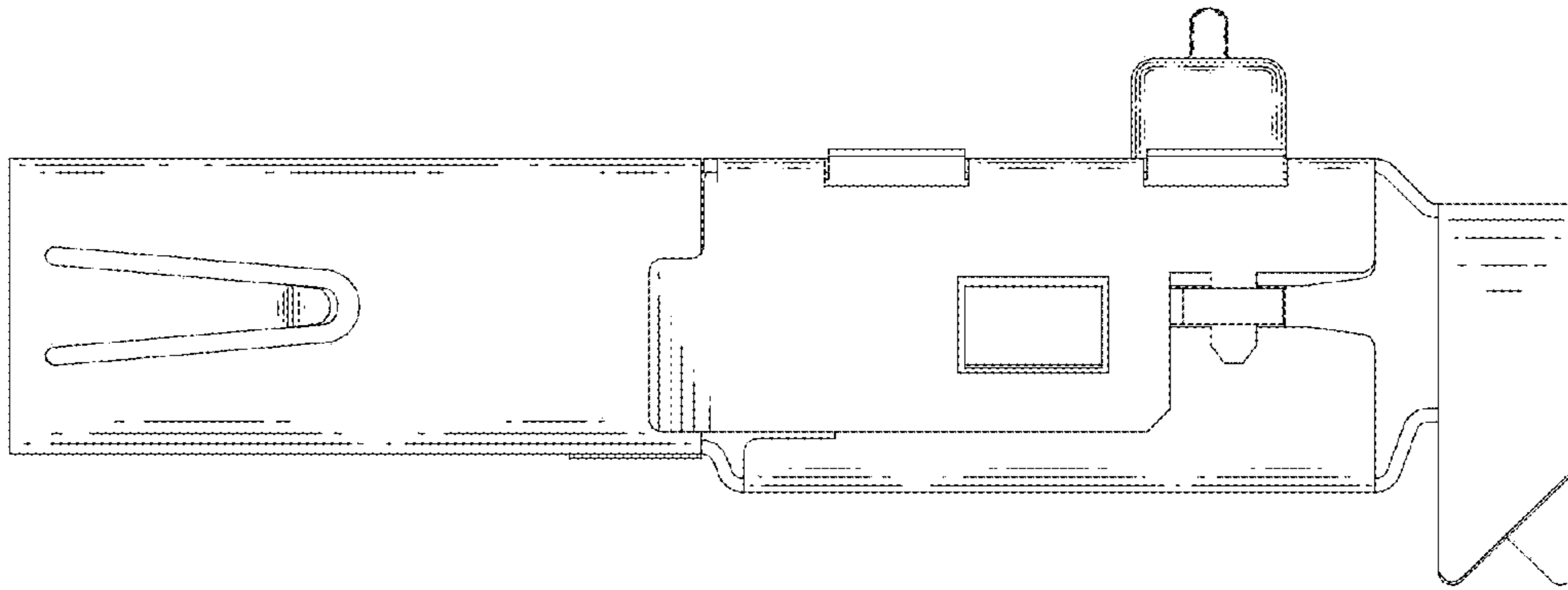


FIG. 5

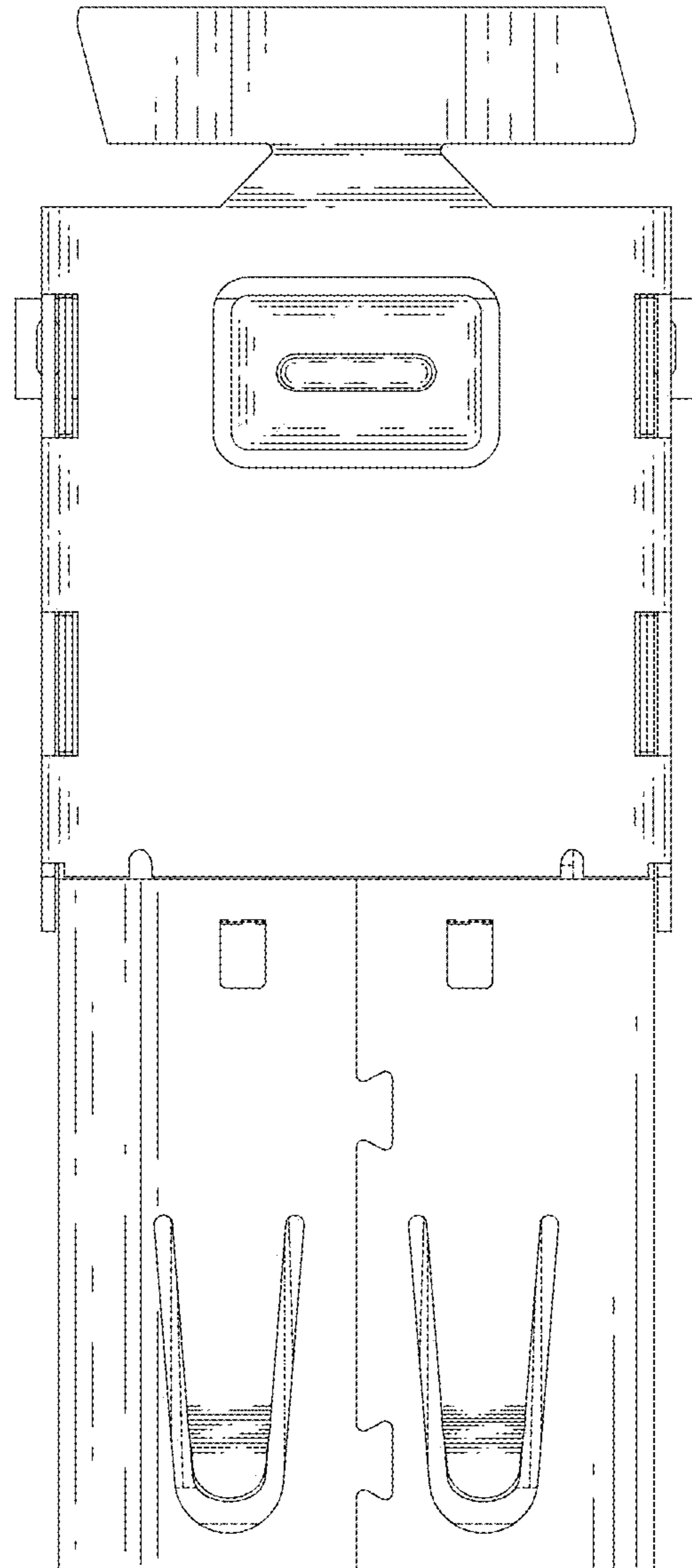


FIG. 6

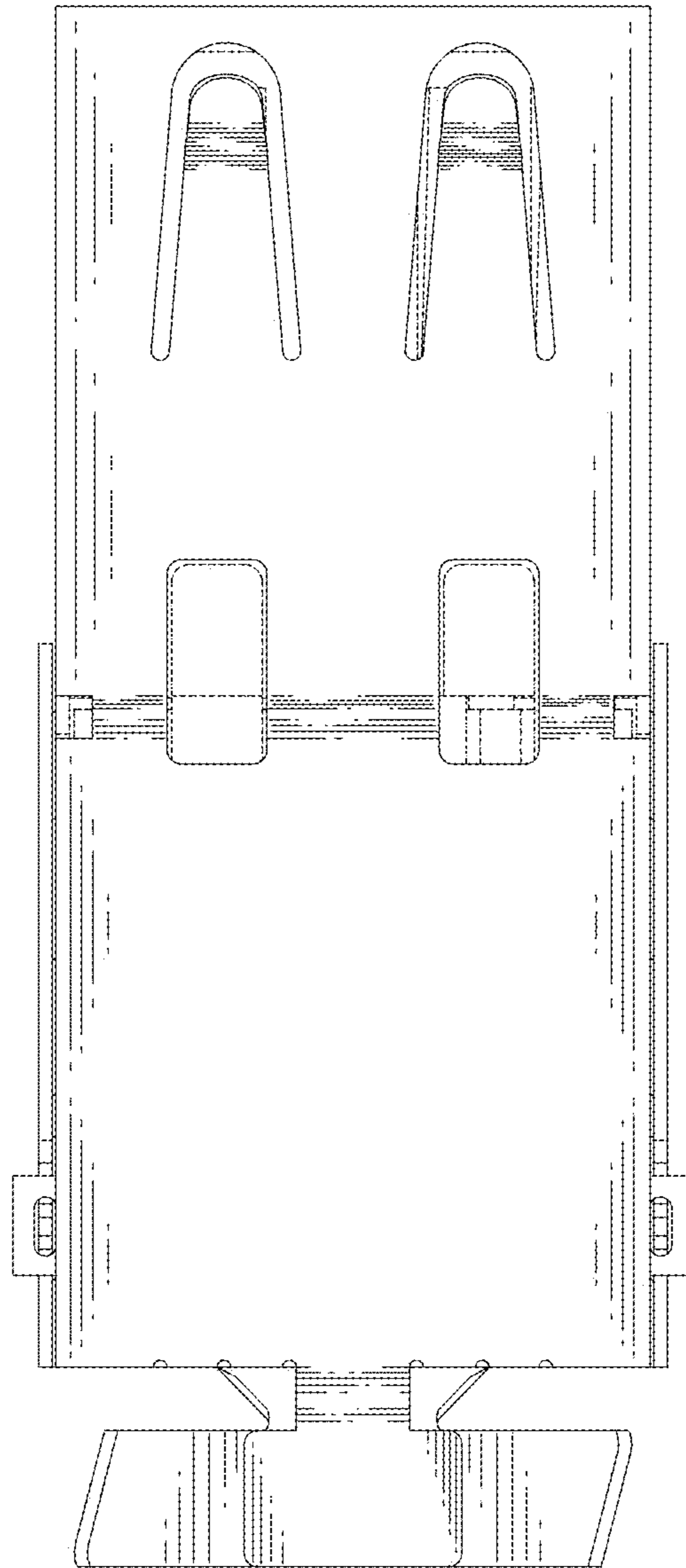


FIG. 7