



US00D680495S

(12) **United States Design Patent**
Corbin et al.

(10) **Patent No.:** **US D680,495 S**

(45) **Date of Patent:** **** Apr. 23, 2013**

(54) **COMPONENT OF AN ELECTRONIC DEVICE**

(75) Inventors: **Sean Stewart Corbin**, San Jose, CA (US); **Jeremy Contini Franklin**, San Francisco, CA (US); **Stephen McClure**, San Francisco, CA (US); **Michael Morishita**, Belmont, CA (US); **John Raff**, Menlo Park, CA (US); **Erik Andrew Uttermann**, San Francisco, CA (US)

(73) Assignee: **Apple Inc.**, Cupertino, CA (US)

(**) Term: **14 Years**

(21) Appl. No.: **29/385,791**

(22) Filed: **Feb. 18, 2011**

(51) **LOC (9) Cl.** **13-03**

(52) **U.S. Cl.**
USPC **D13/147**

(58) **Field of Classification Search** D13/133,
D13/146, 147, 154, 184, 199; D14/217,
D14/238.1, 256, 257, 299, 432-434, 438-439,
D14/447-448, 450-452; 439/180, 246, 278,
439/352, 354, 357, 374, 381, 476.1, 489,
439/527, 529, 533, 892, 894

See application file for complete search history.

(56) **References Cited**

U.S. PATENT DOCUMENTS

D620,941	S	*	8/2010	Stacey et al.	D14/447
D621,359	S	*	8/2010	Hsu et al.	D13/147
7,980,737	B2	*	7/2011	Hu	362/382
D647,106	S	*	10/2011	Akana et al.	D14/496
D659,163	S	*	5/2012	Akana et al.	D14/496

OTHER PUBLICATIONS

Apple's Reply in Support of its Motion for a Preliminary Injunction (Redacted), p. 11, *Apple Inc. v. Samsung Electronics Co., Ltd.*, United States District Court, Northern District of California, San Jose Division, Case No. 11-cv-01846-LHK, dated Oct. 13, 2011, 38 pages total.

* cited by examiner

Primary Examiner — Daniel Bui

(74) *Attorney, Agent, or Firm* — Sterne, Kessler, Goldstein & Fox PLLC

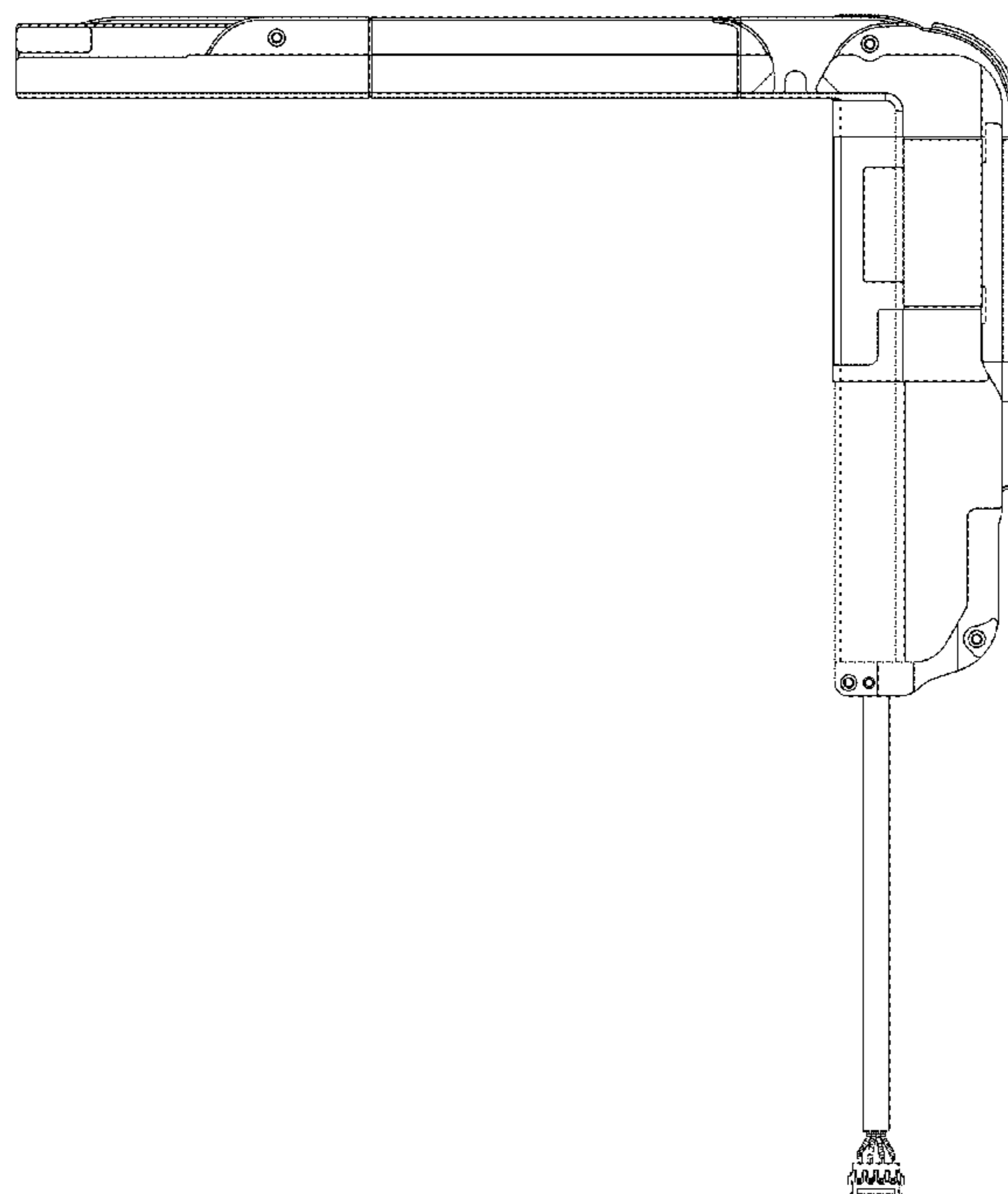
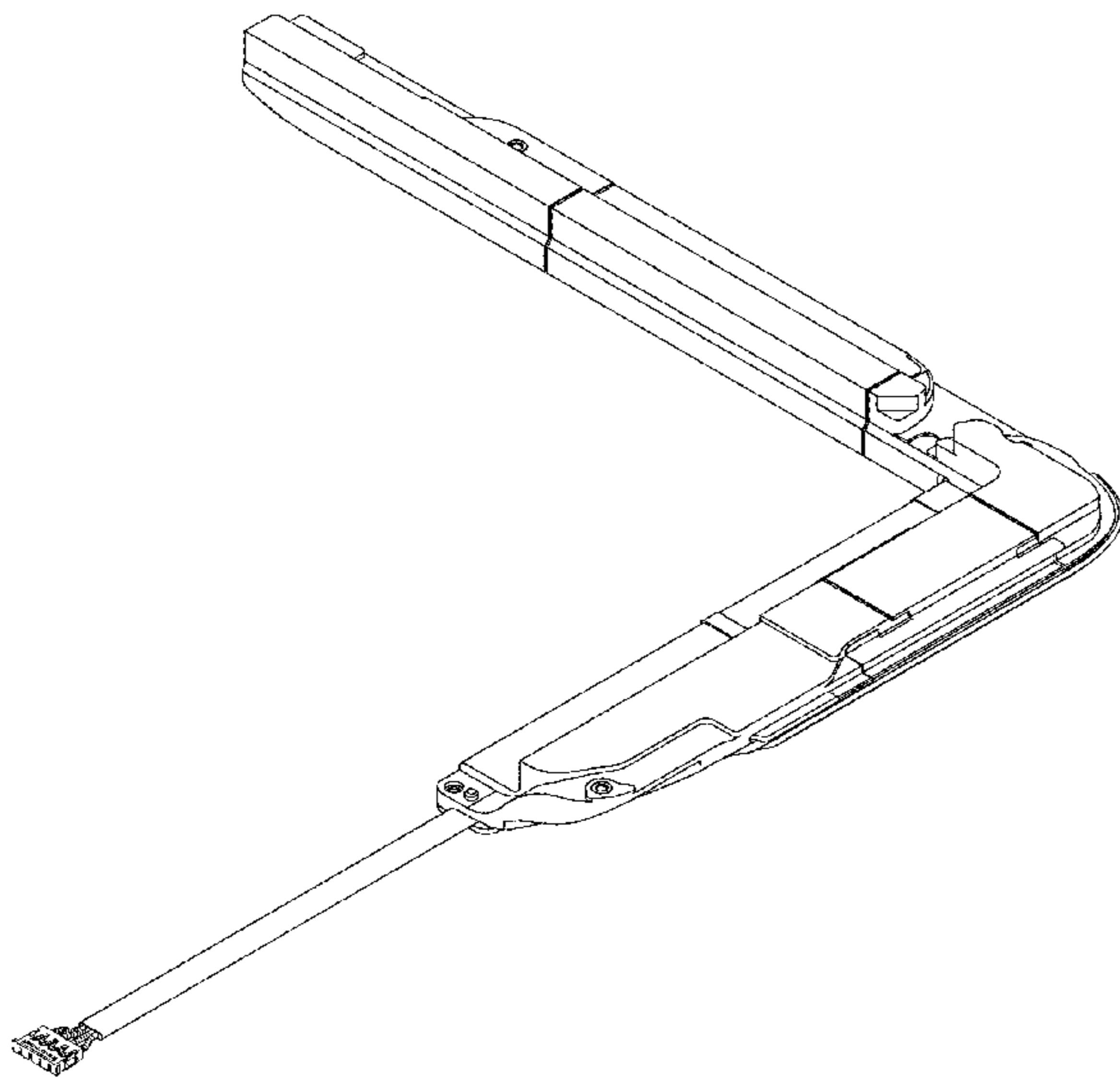
(57) **CLAIM**

The ornamental design for a component of an electronic device, as shown and described.

DESCRIPTION

FIG. 1 is a bottom front perspective view of a component of an electronic device showing our new design;
FIG. 2 is a front view thereof;
FIG. 3 is a rear view thereof;
FIG. 4 is a left side view thereof;
FIG. 5 is a right side view thereof;
FIG. 6 is a top view thereof; and,
FIG. 7 is a top view thereof.

1 Claim, 5 Drawing Sheets



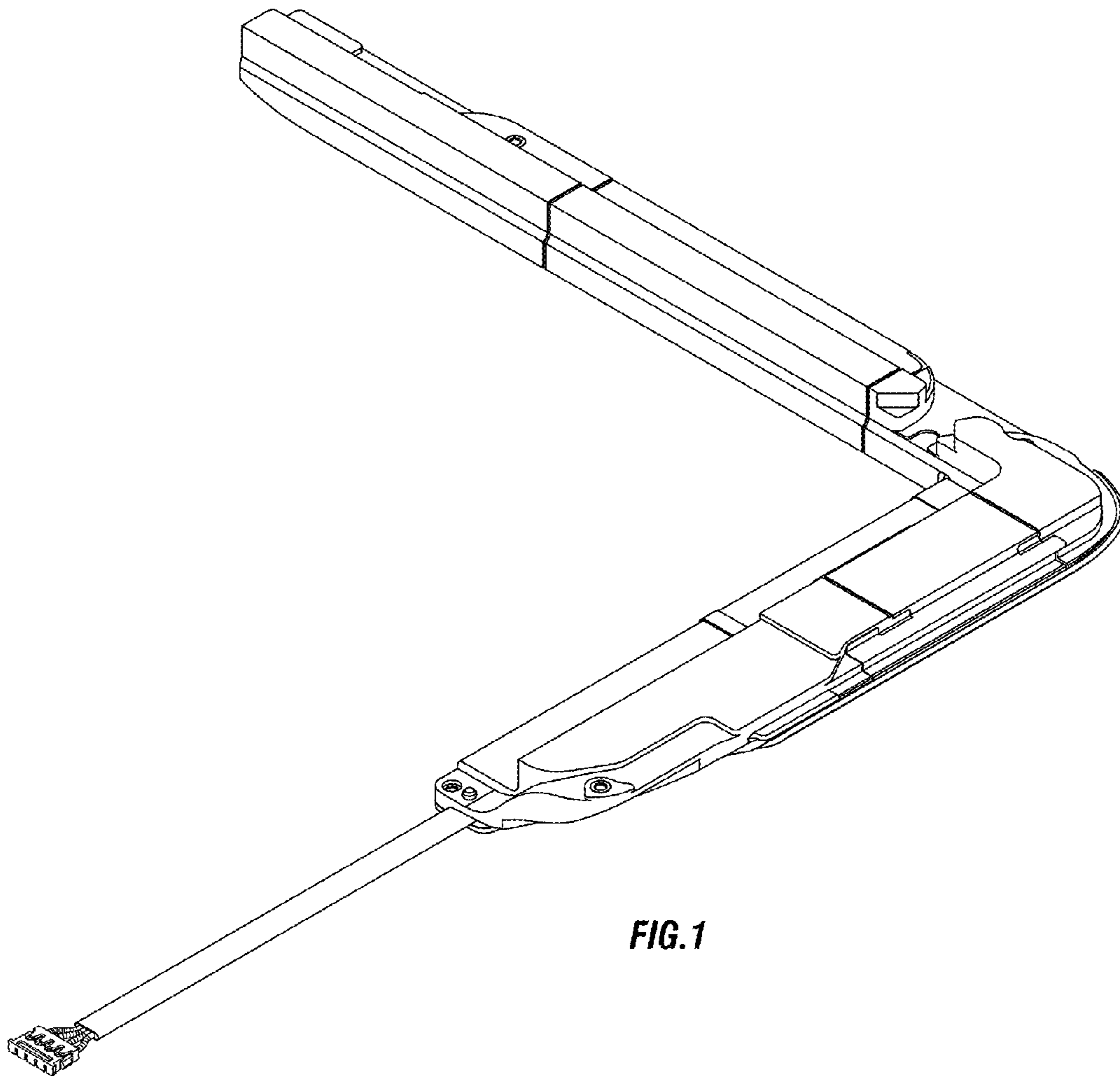


FIG. 1

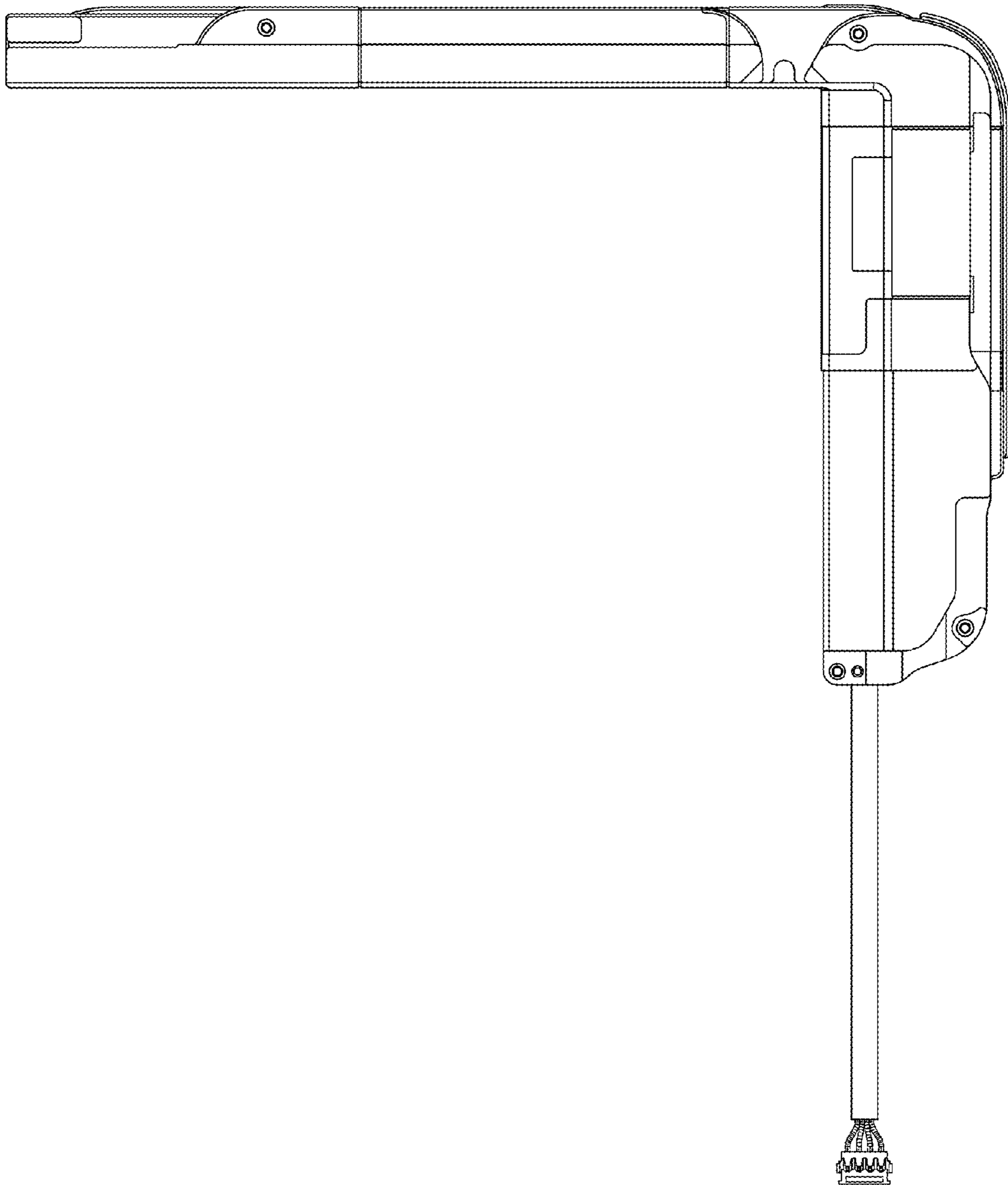


FIG. 2

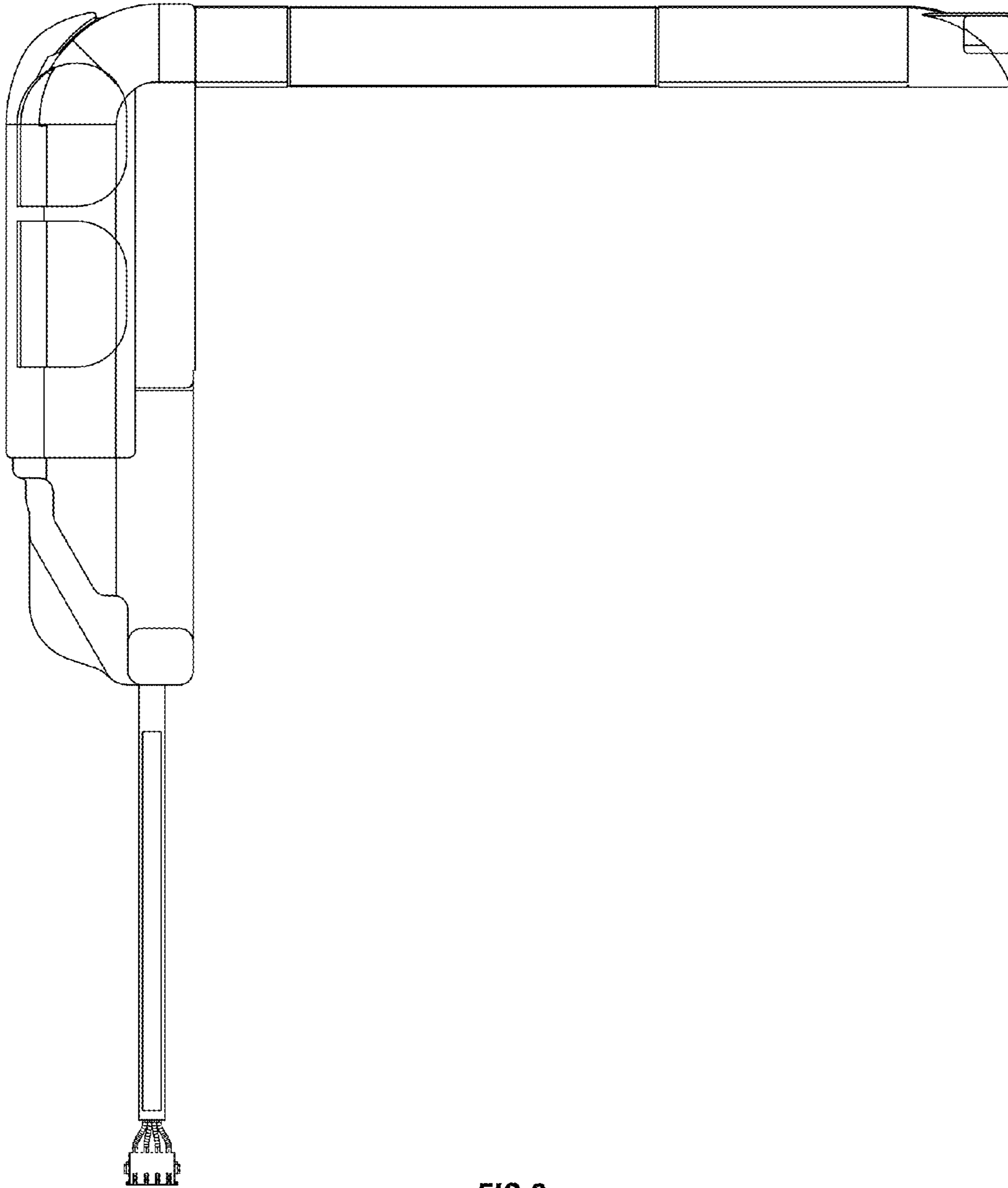


FIG.3

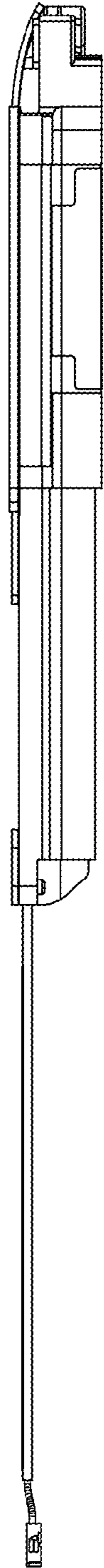


FIG.4



FIG.5

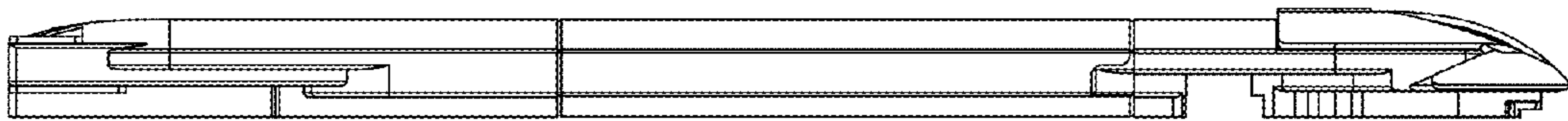


FIG. 6

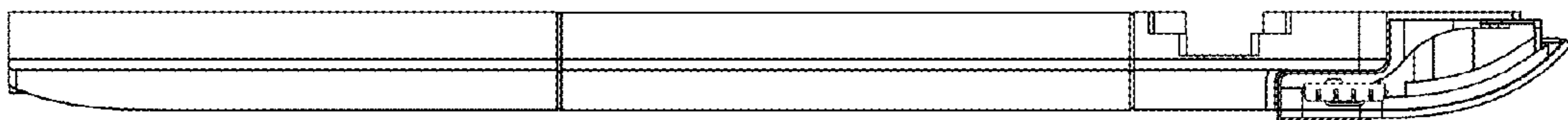


FIG. 7