



US00D680494S

(12) **United States Design Patent**
Hirakawa

(10) **Patent No.:** **US D680,494 S**
(45) **Date of Patent:** **** Apr. 23, 2013**

(54) **ELECTRIC CONNECTOR**

(75) Inventor: **Takeshi Hirakawa**, Tokyo (JP)
(73) Assignee: **Dai-Ichi Seiko Co., Ltd.**, Kyoto (JP)

(**) Term: **14 Years**

(21) Appl. No.: **29/405,338**

(22) Filed: **Nov. 1, 2011**

(30) **Foreign Application Priority Data**

May 10, 2011 (JP) 2011-010350

(51) **LOC (9) Cl.** **13-03**

(52) **U.S. Cl.**
USPC **D13/133**

(58) **Field of Classification Search** D13/133,
D13/154, 184, 199; 439/63, 180, 246, 252,
439/274, 278, 381, 527, 529, 533, 578, 583,
439/584, 585, 842, 852, 854-857, 892, 894
See application file for complete search history.

(56) **References Cited**

U.S. PATENT DOCUMENTS

D365,324 S *	12/1995	Grande	D13/133
D374,863 S *	10/1996	Grande	D13/146
D400,170 S *	10/1998	Asai et al.	D13/133
D447,117 S *	8/2001	Ko	D13/133
D457,496 S *	5/2002	Ko	D13/133
D513,606 S *	1/2006	Yamane	D13/149
D535,619 S *	1/2007	Nagata	D13/133
7,217,137 B1	5/2007	Nakagawa		
D575,237 S *	8/2008	Shiga et al.	D13/151
D575,741 S *	8/2008	Yamane	D13/133
D576,952 S *	9/2008	Hung	D13/133
7,632,123 B2	12/2009	Nakagawa		

FOREIGN PATENT DOCUMENTS

JP	D1234214	3/2005
JP	D1335070	7/2008
JP	D1337788	8/2008
JP	D1385612	4/2010

OTHER PUBLICATIONS

U.S. Appl. No. 29/418,243, filed Apr. 13, 2012, Hirakawa, et al.
U.S. Appl. No. 13/455,404, filed Apr. 25, 2012, Hirakawa.
U.S. Appl. No. 13/455,440, filed Apr. 25, 2012, Hirakawa, et al.
U.S. Appl. No. 29/429,083, filed Aug. 7, 2012, Hirakawa, et al.

* cited by examiner

Primary Examiner — Daniel Bui

(74) *Attorney, Agent, or Firm* — Oblon, Spivak, McClelland, Maier & Neustadt, L.L.P.

(57) **CLAIM**

The ornamental design for an electric connector, as shown and described.

DESCRIPTION

FIG. 1 is a top plan view of an electric connector showing my new design;
FIG. 2 is a front elevational view thereof;
FIG. 3 is a bottom plan view thereof;
FIG. 4 is a rear elevational view thereof;
FIG. 5 is a left side elevational view thereof;
FIG. 6 is a front, top, and right side perspective view thereof; and,
FIG. 7 is a rear, top, and right side perspective view thereof. The broken lines in the drawings depict environmental subject matter only and form no part of the claimed design.

1 Claim, 7 Drawing Sheets

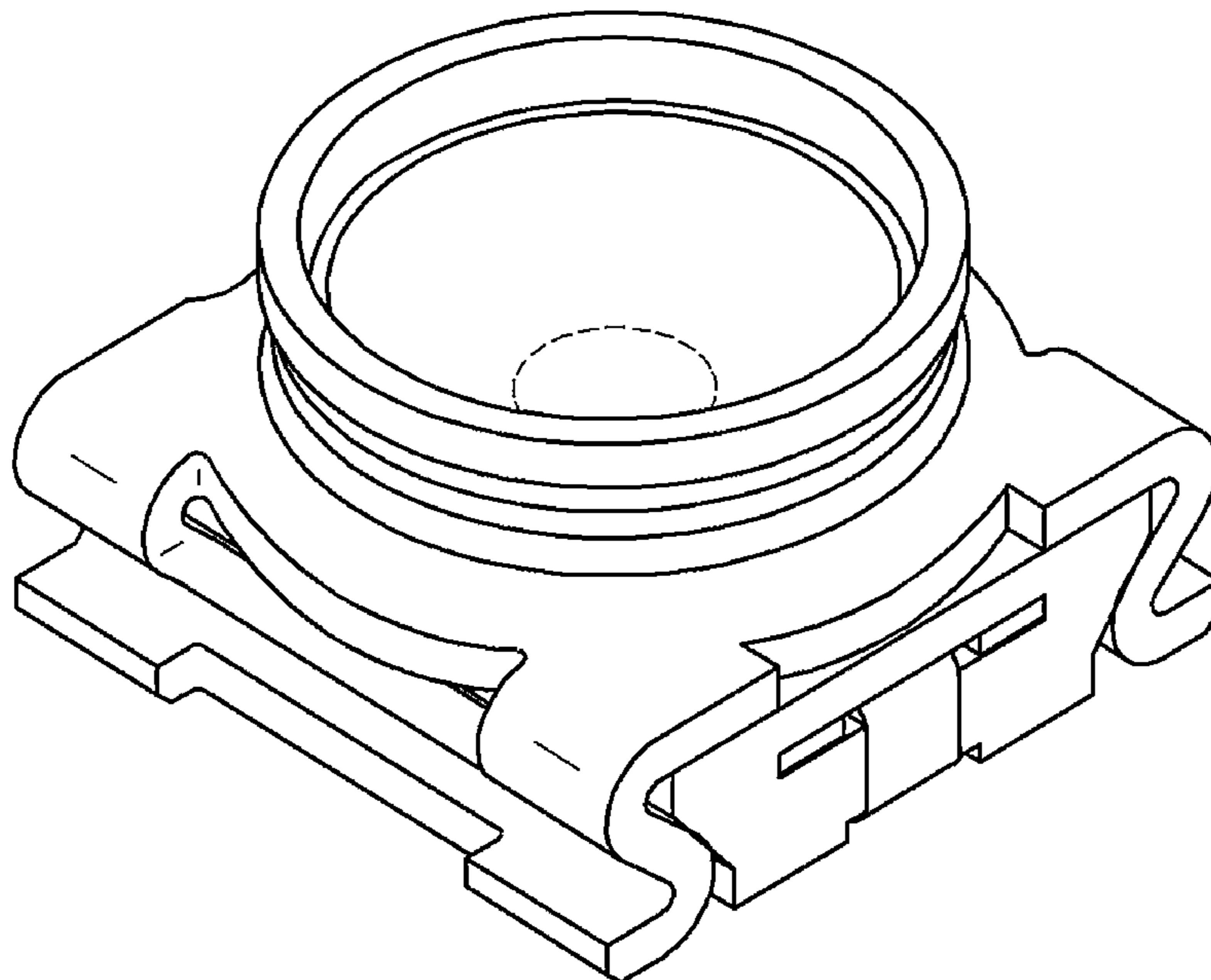


Fig. 1

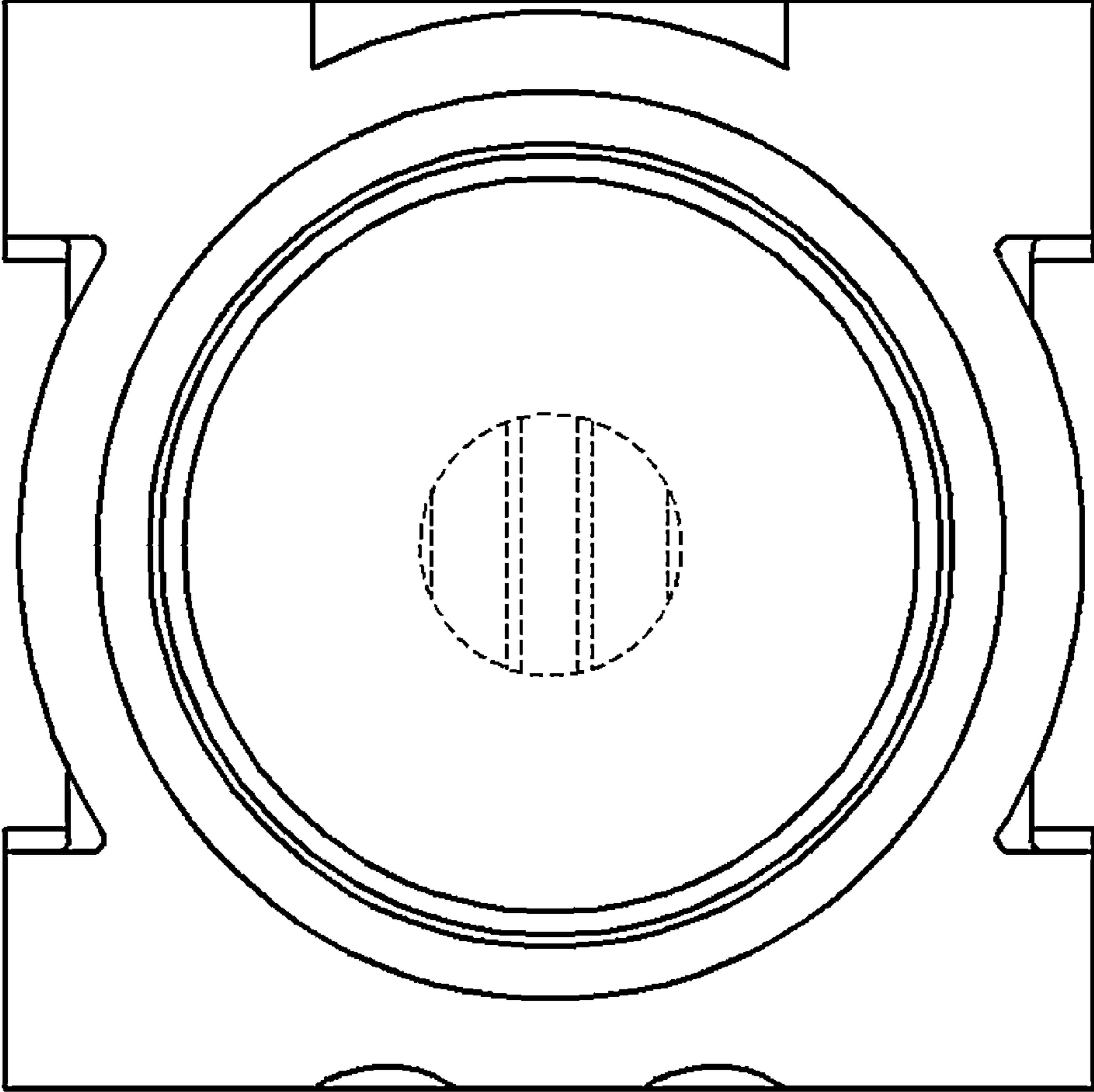


Fig. 2

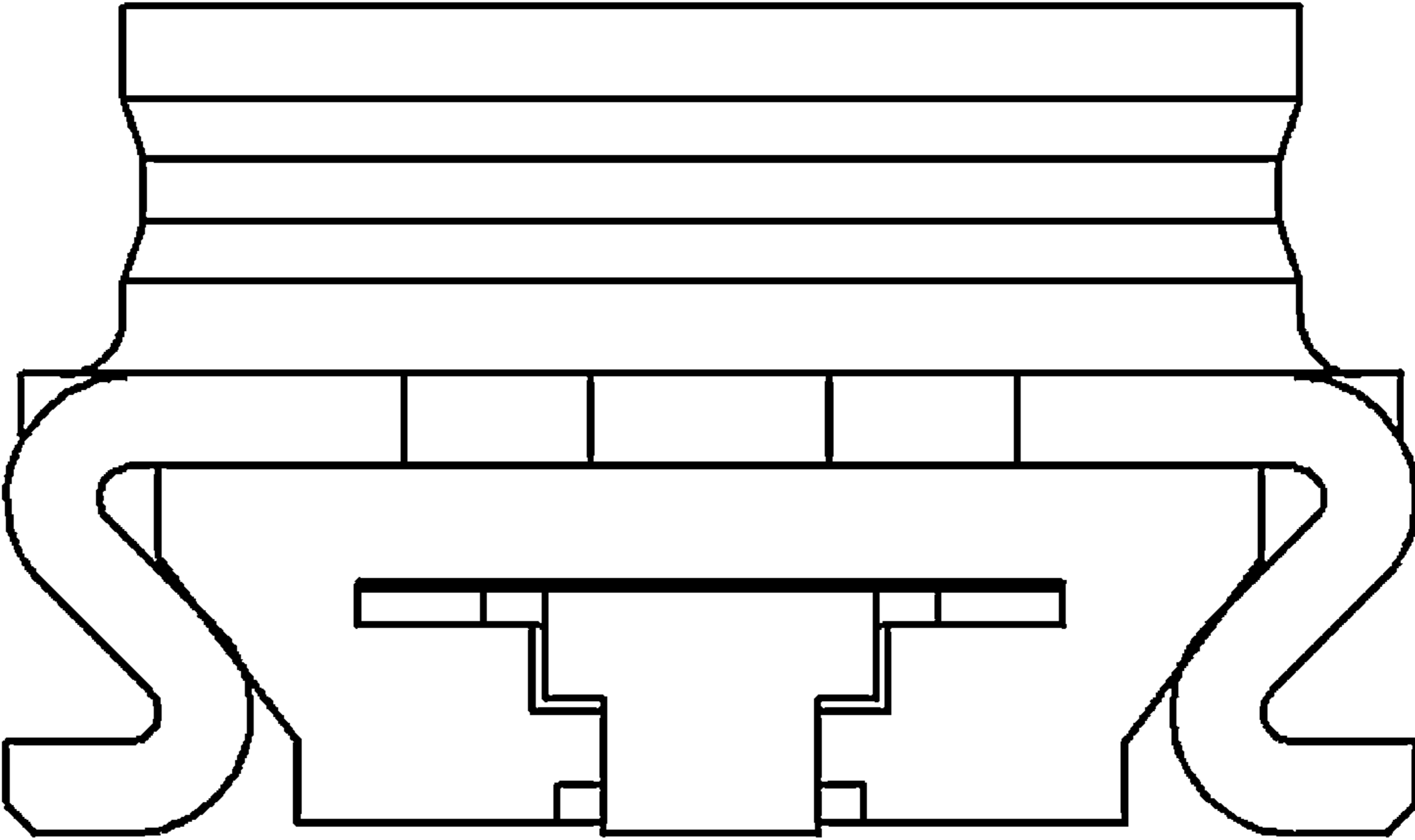


Fig. 3

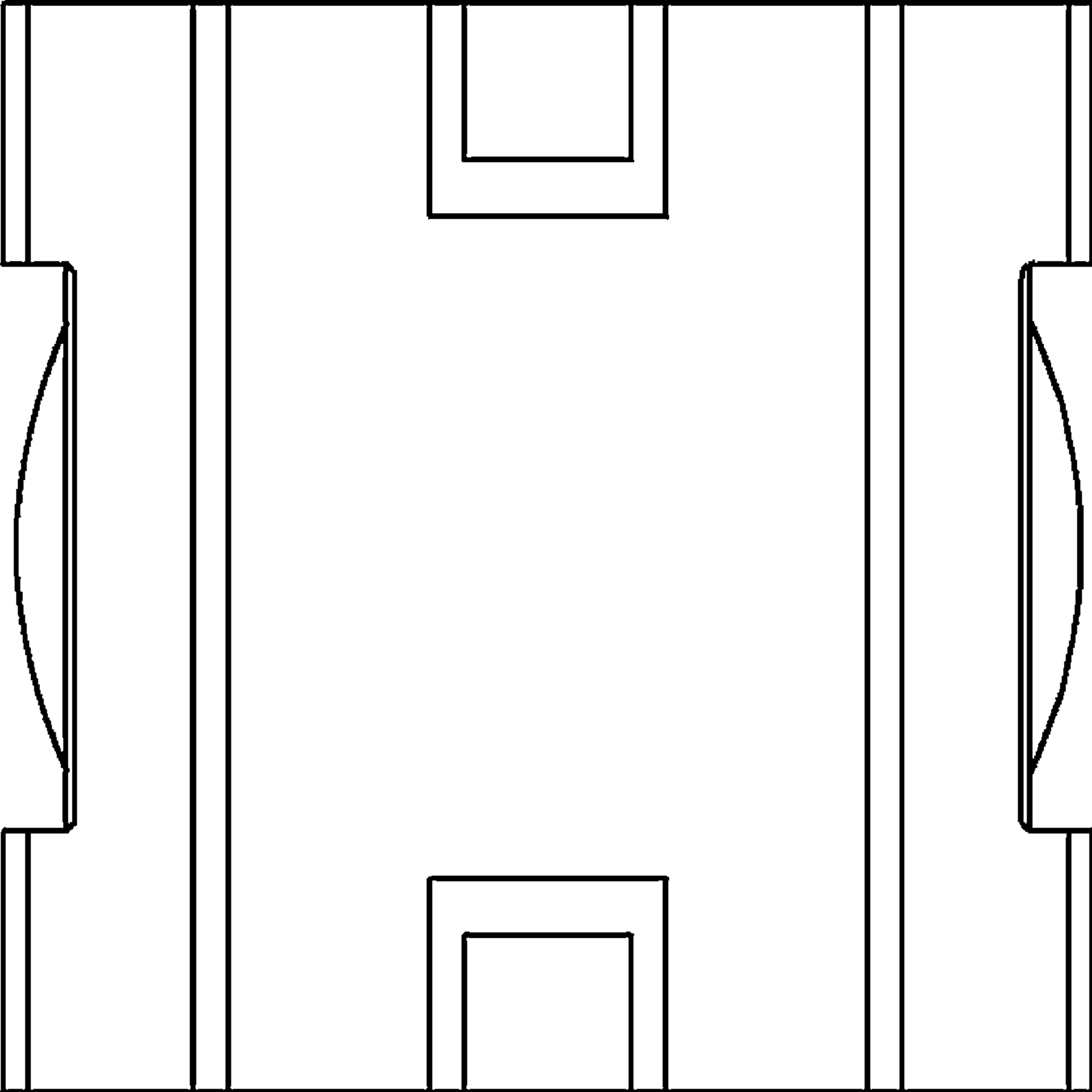


Fig. 4

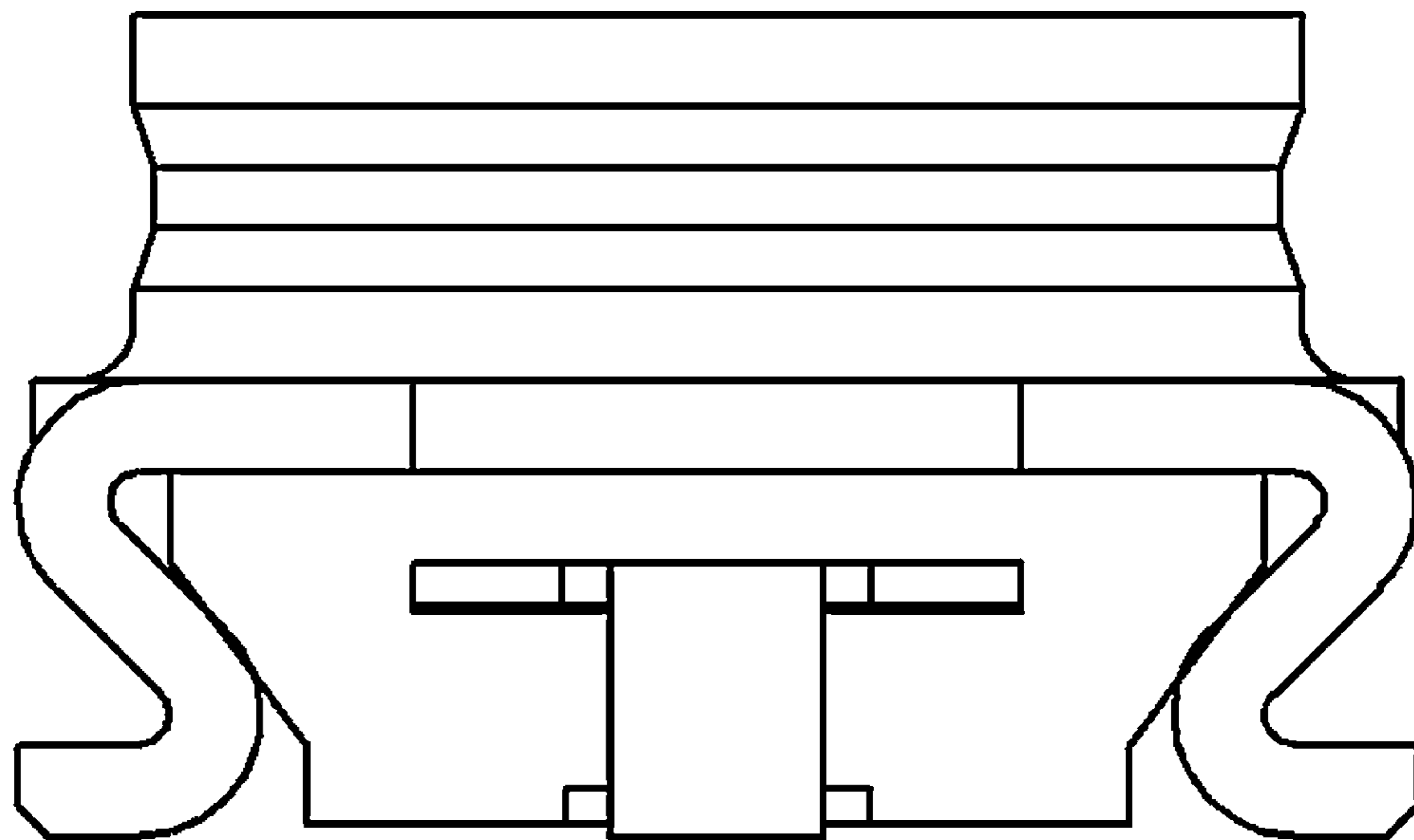


Fig. 5

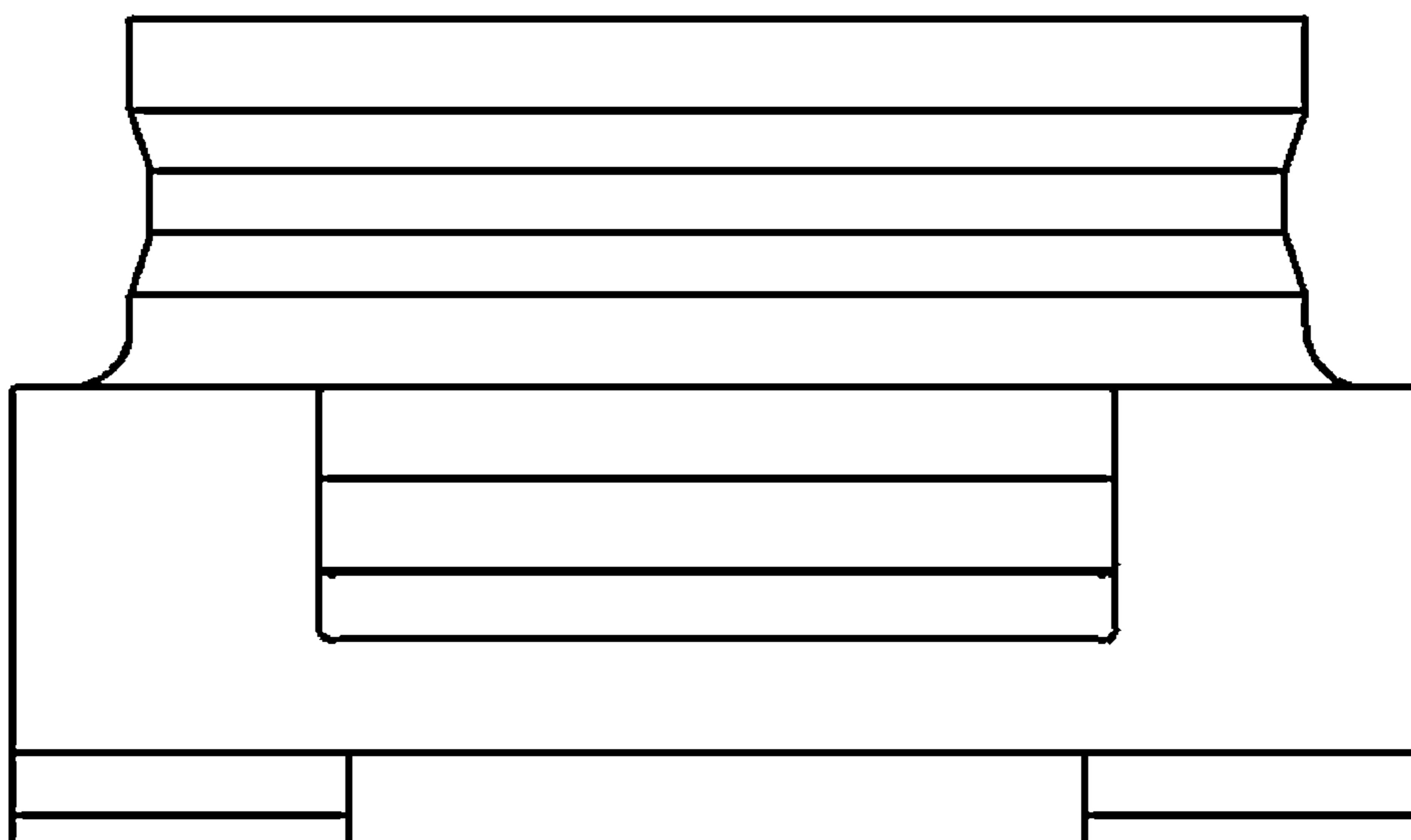


Fig. 6

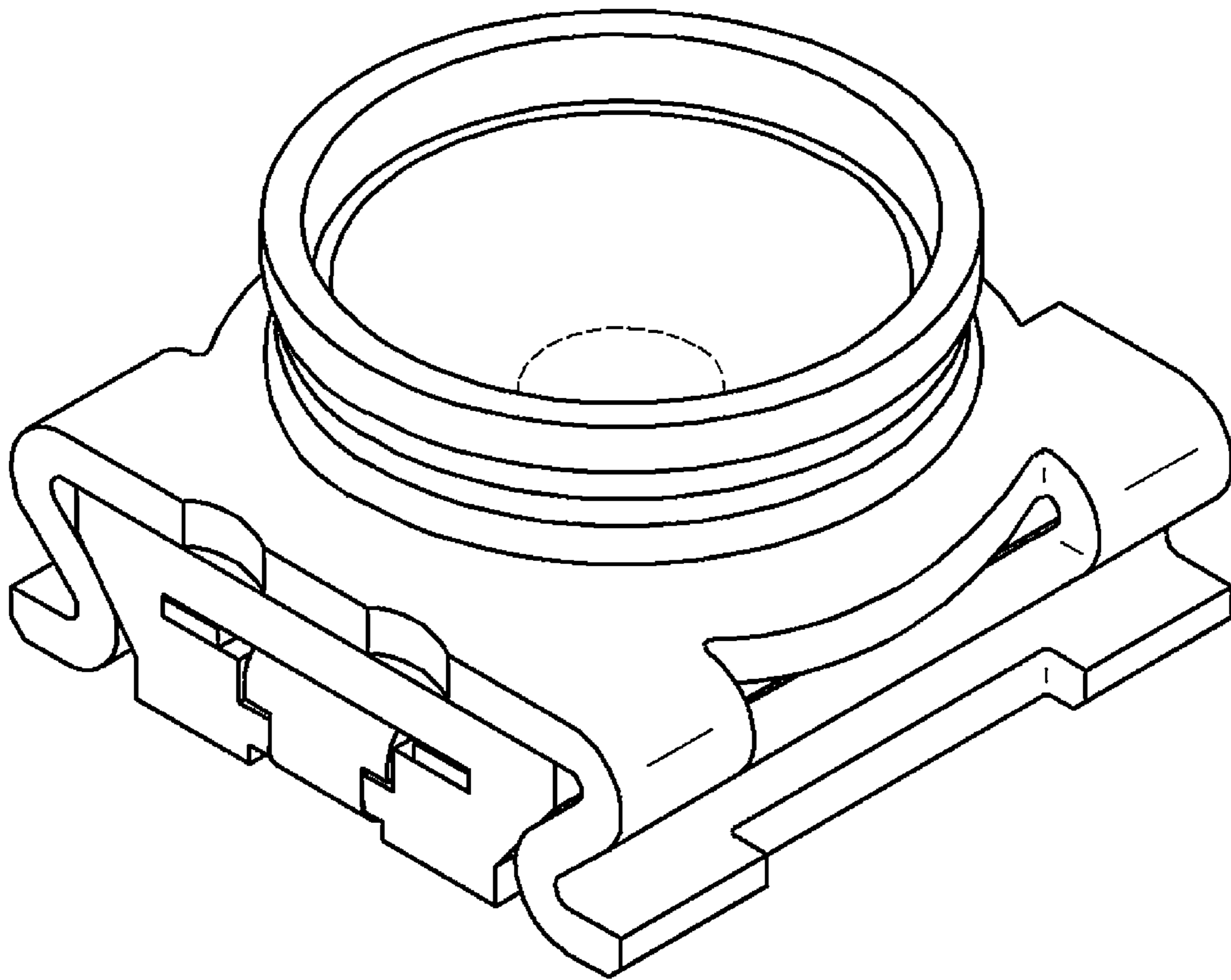


Fig. 7

