



US00D680491S

(12) **United States Design Patent**  
**Paschke et al.**

(10) **Patent No.:** **US D680,491 S**  
(45) **Date of Patent:** **\*\* Apr. 23, 2013**

(54) **CHARGING STAND**

(56) **References Cited**

(75) Inventors: **Brian Dennis Paschke**, Toronto (CA);  
**Todd Andrew Wood**, Toronto (CA);  
**Ippei Matsumoto**, London (GB);  
**Kimberlee Colin**, London (GB);  
**Samuel Hecht**, London (GB); **Philipp**  
**Von Lintel**, London (GB)

U.S. PATENT DOCUMENTS

D507,526	S	*	7/2005	Ohta	.....	D13/108
D512,418	S	*	12/2005	Sarasjoki	.....	D14/253
D514,576	S	*	2/2006	Sung et al.	.....	D14/434
D605,588	S	*	12/2009	Nomi et al.	.....	D13/108
D635,979	S	*	4/2011	Wu et al.	.....	D14/434
D639,810	S	*	6/2011	Hwang et al.	.....	D14/434
D644,645	S	*	9/2011	Huang et al.	.....	D14/434
2011/0084657	A1	*	4/2011	Toya et al.	.....	320/108

(73) Assignee: **Research In Motion Limited**, Waterloo,  
Ontario (CA)

\* cited by examiner

*Primary Examiner* — Rosemary K Tarcza

(\*\*) Term: **14 Years**

(57) **CLAIM**

We claim the ornamental design for a charging stand, as shown and described.

(21) Appl. No.: **29/425,325**

**DESCRIPTION**

(22) Filed: **Jun. 21, 2012**

FIG. 1 is a front perspective view of a charging stand;  
FIG. 2 is a back bottom perspective view of the charging stand;  
FIG. 3 is a front elevational view thereof;  
FIG. 4 is a back bottom elevational view thereof;  
FIG. 5 is a left elevational view thereof;  
FIG. 6 is a right elevational view thereof;  
FIG. 7 is a top plan view thereof; and,  
FIG. 8 is a bottom plan view thereof.

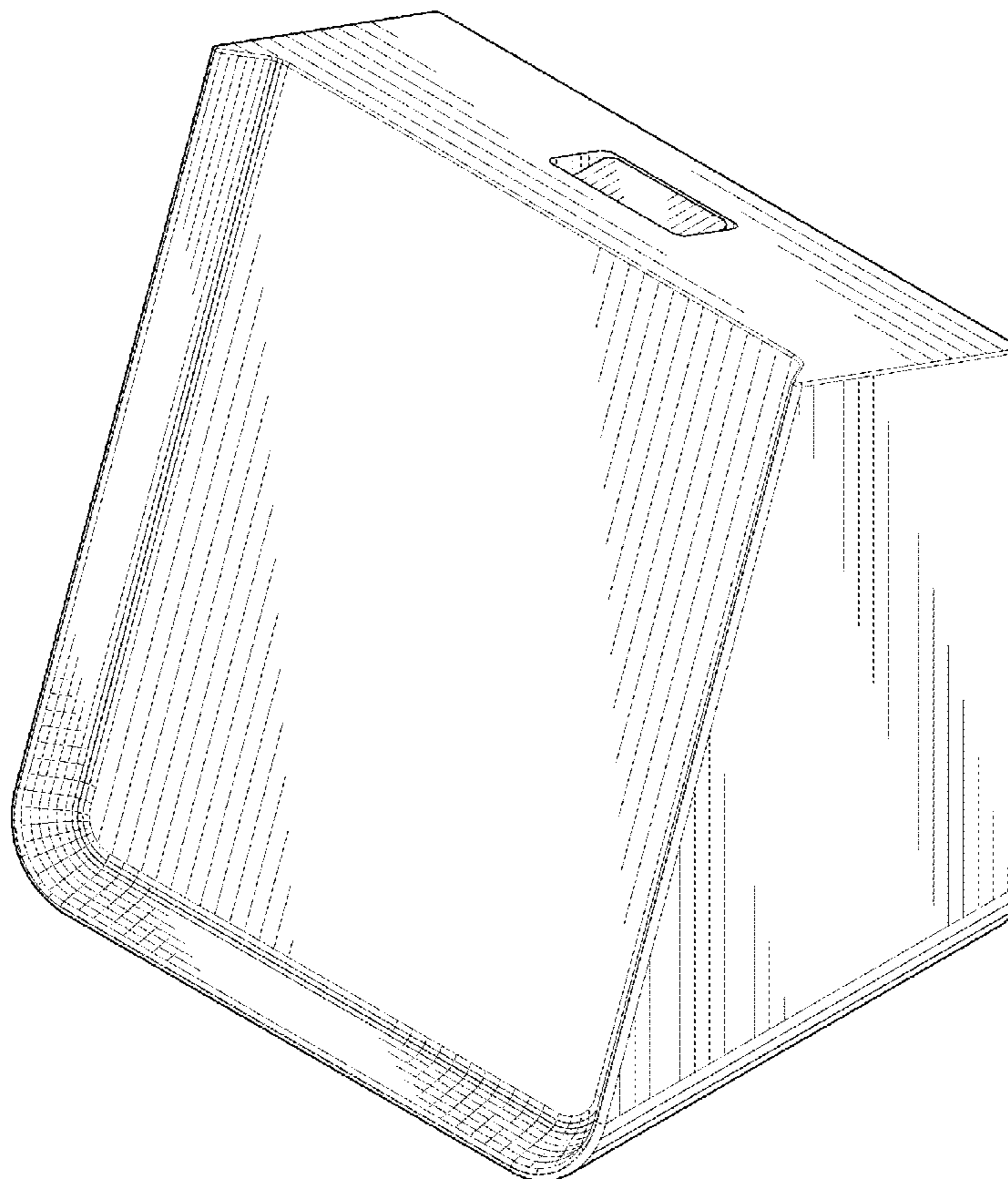
(51) **LOC (9) Cl.** ..... **13-02**

(52) **U.S. Cl.**  
USPC ..... **D13/108**

(58) **Field of Classification Search** ..... D13/107-110,  
D13/118-119, 184, 199; D14/251, 253,  
D14/432, 434; 320/107-115

See application file for complete search history.

**1 Claim, 7 Drawing Sheets**



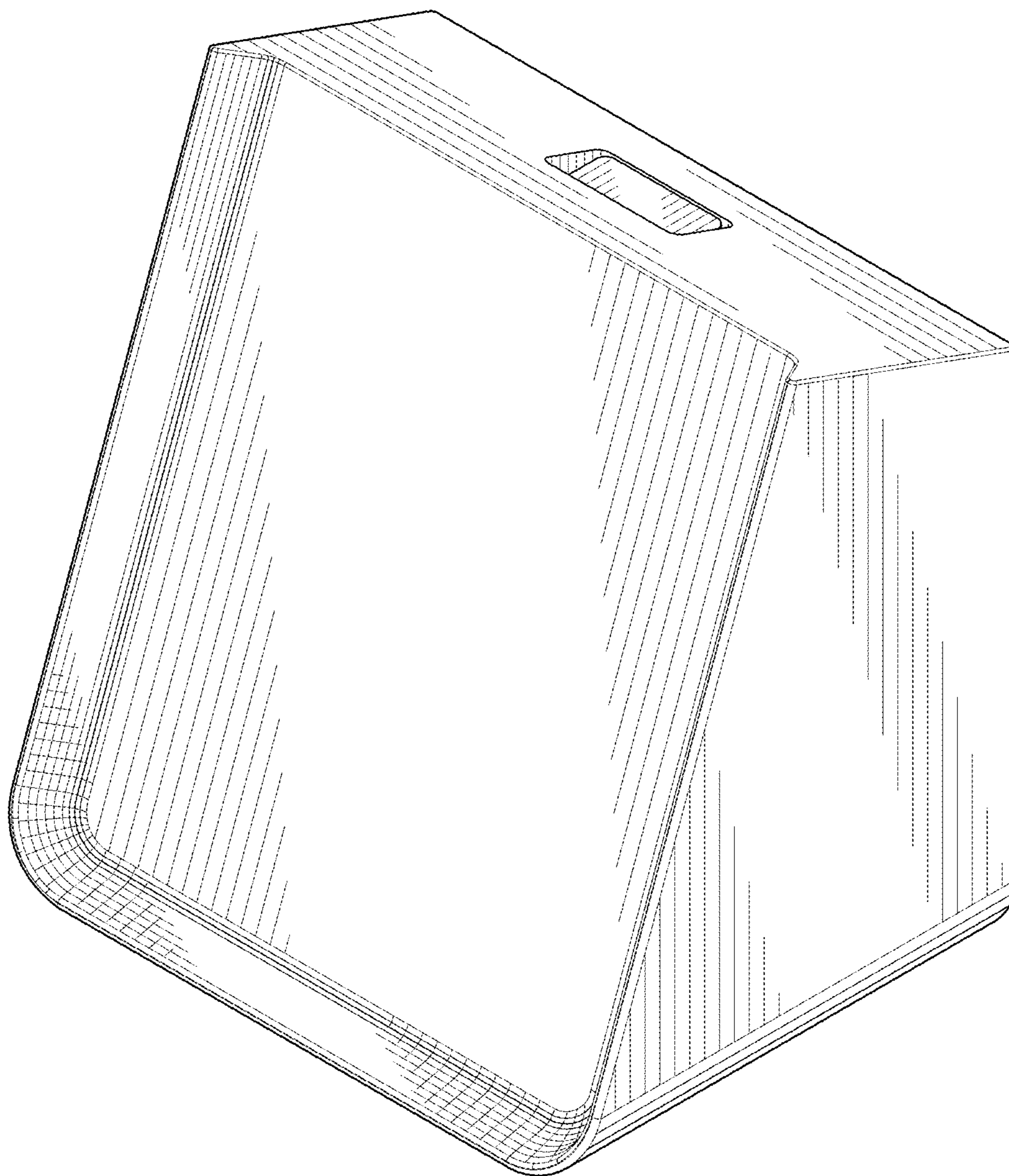


FIG.1

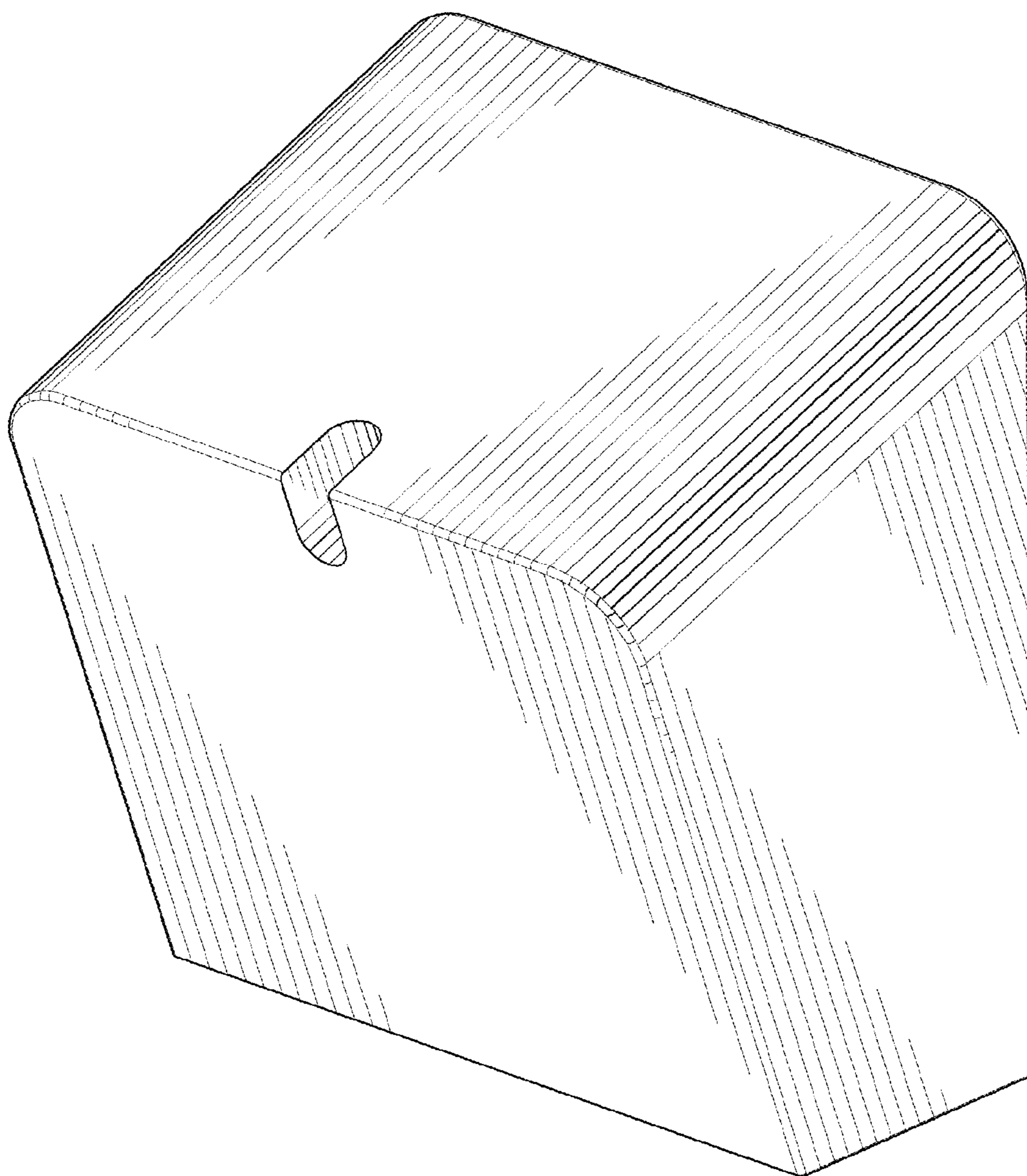


FIG.2

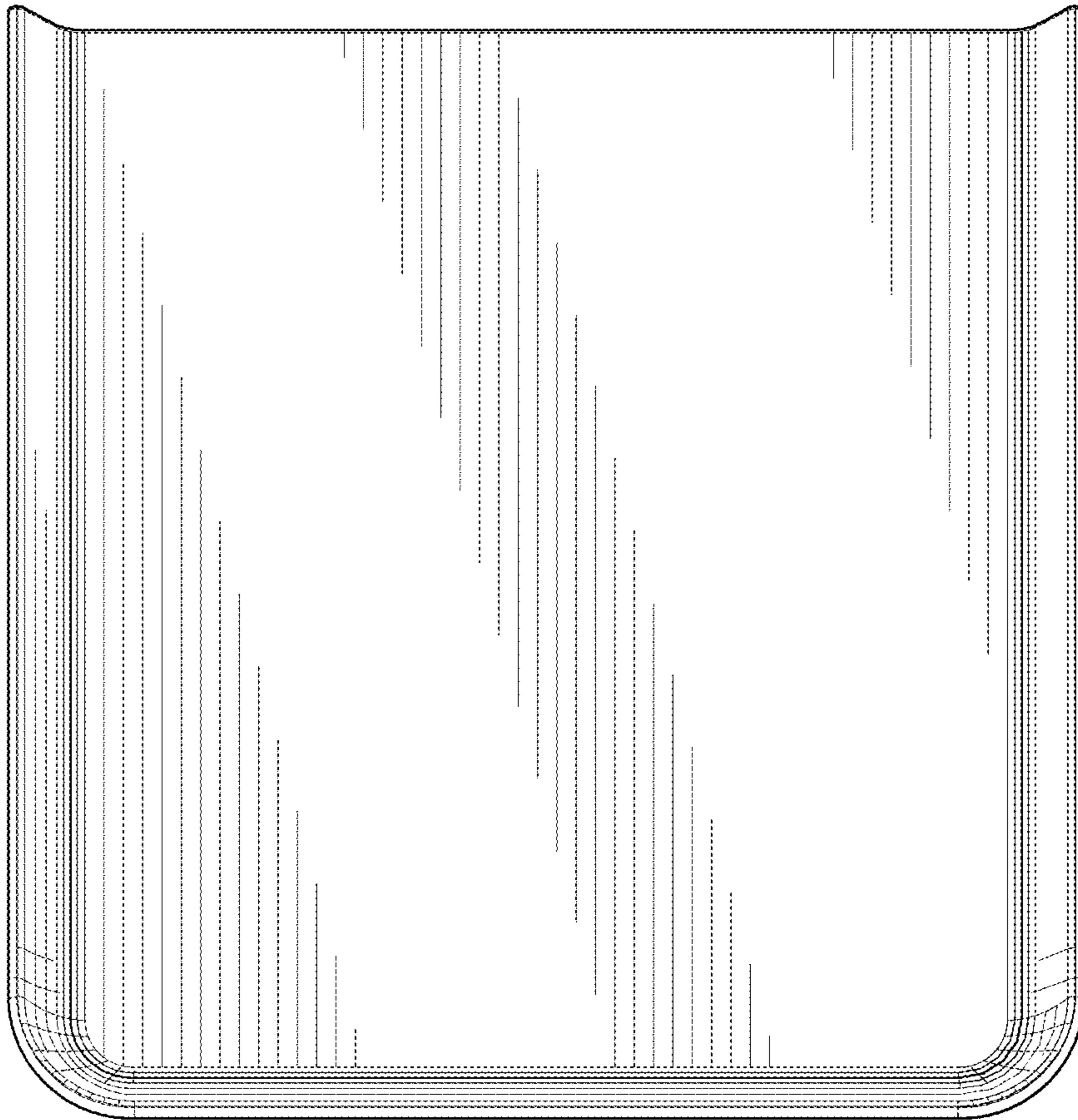


FIG.3

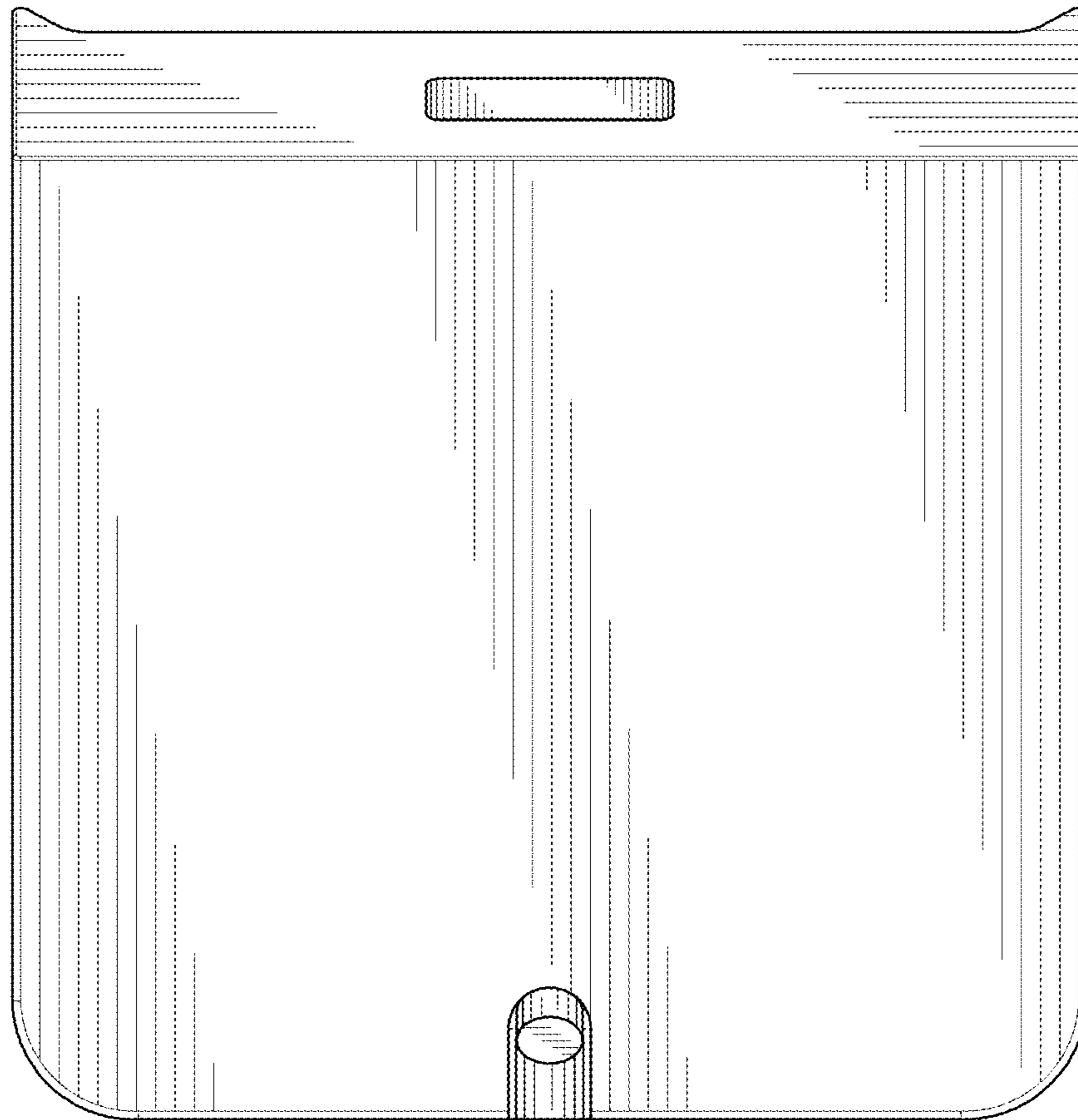


FIG.4

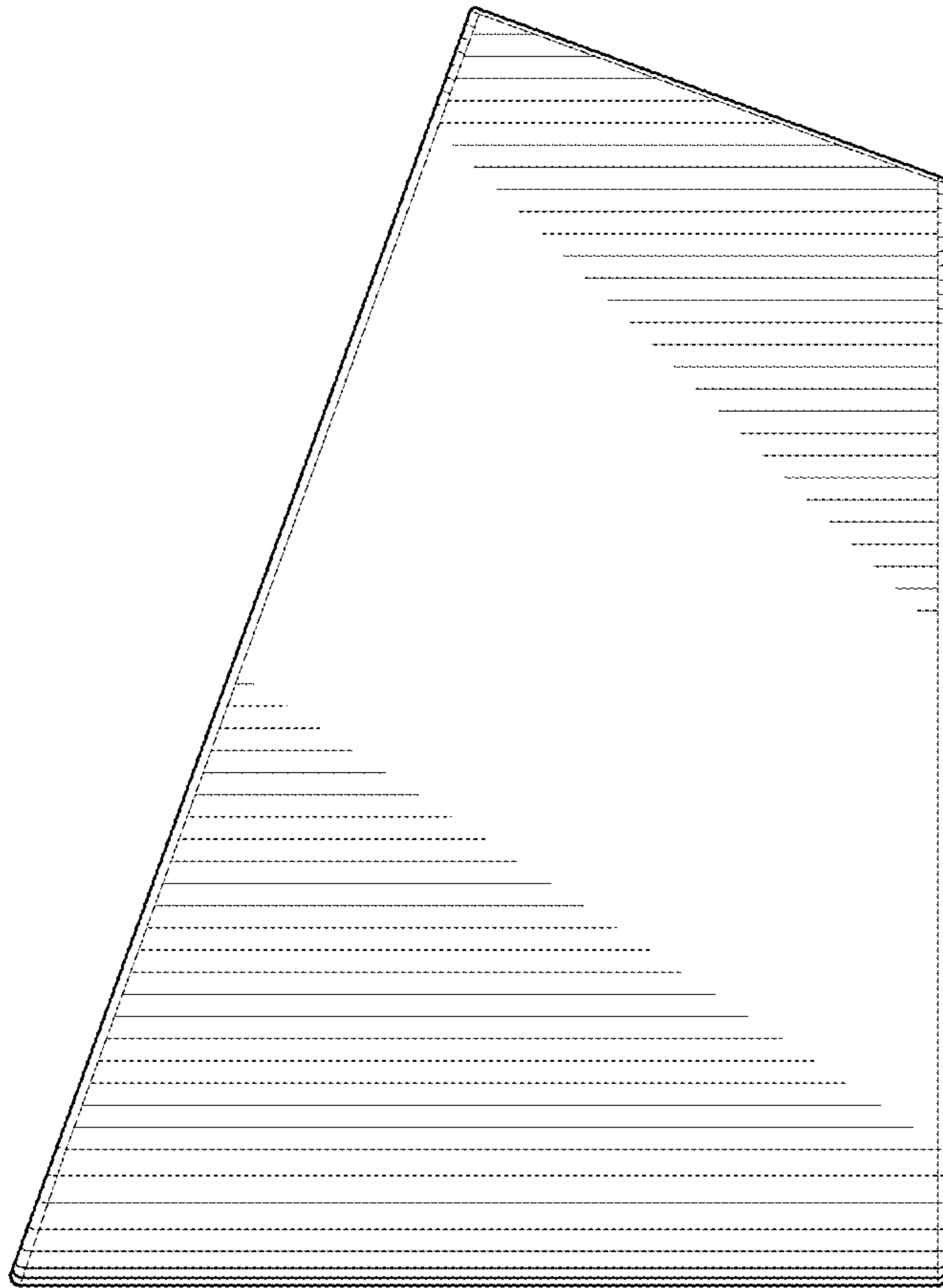


FIG.5

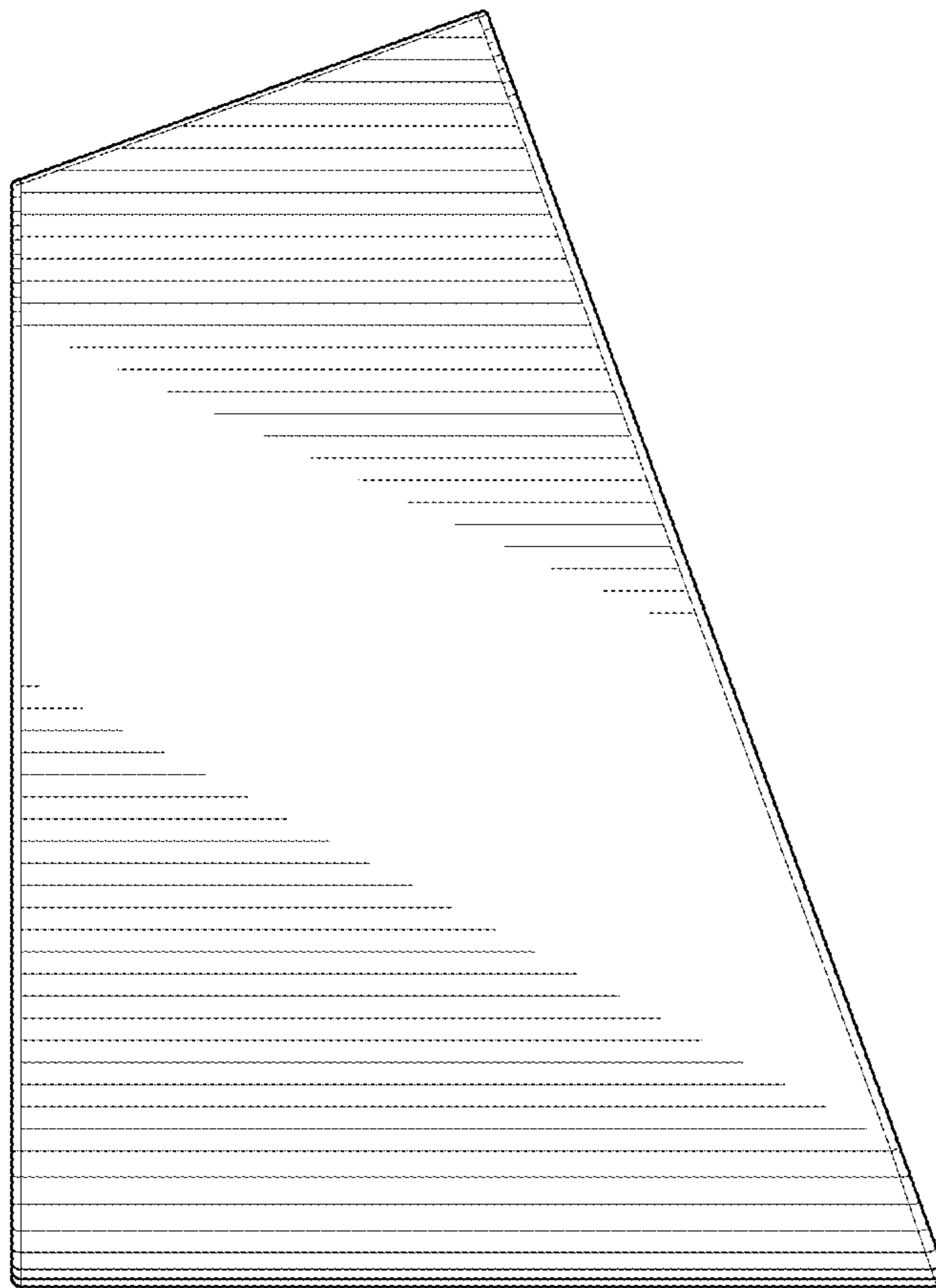


FIG.6

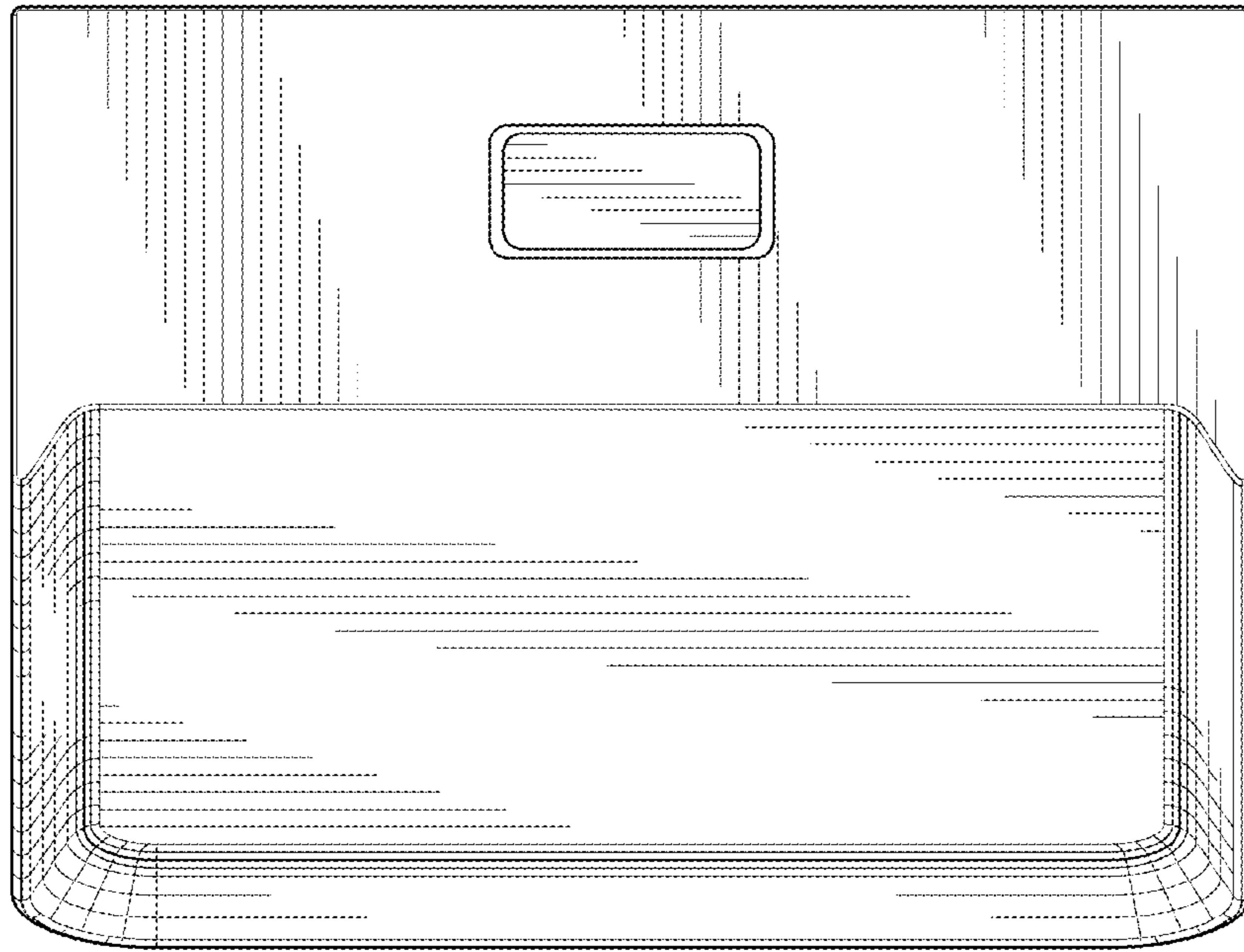


FIG. 7

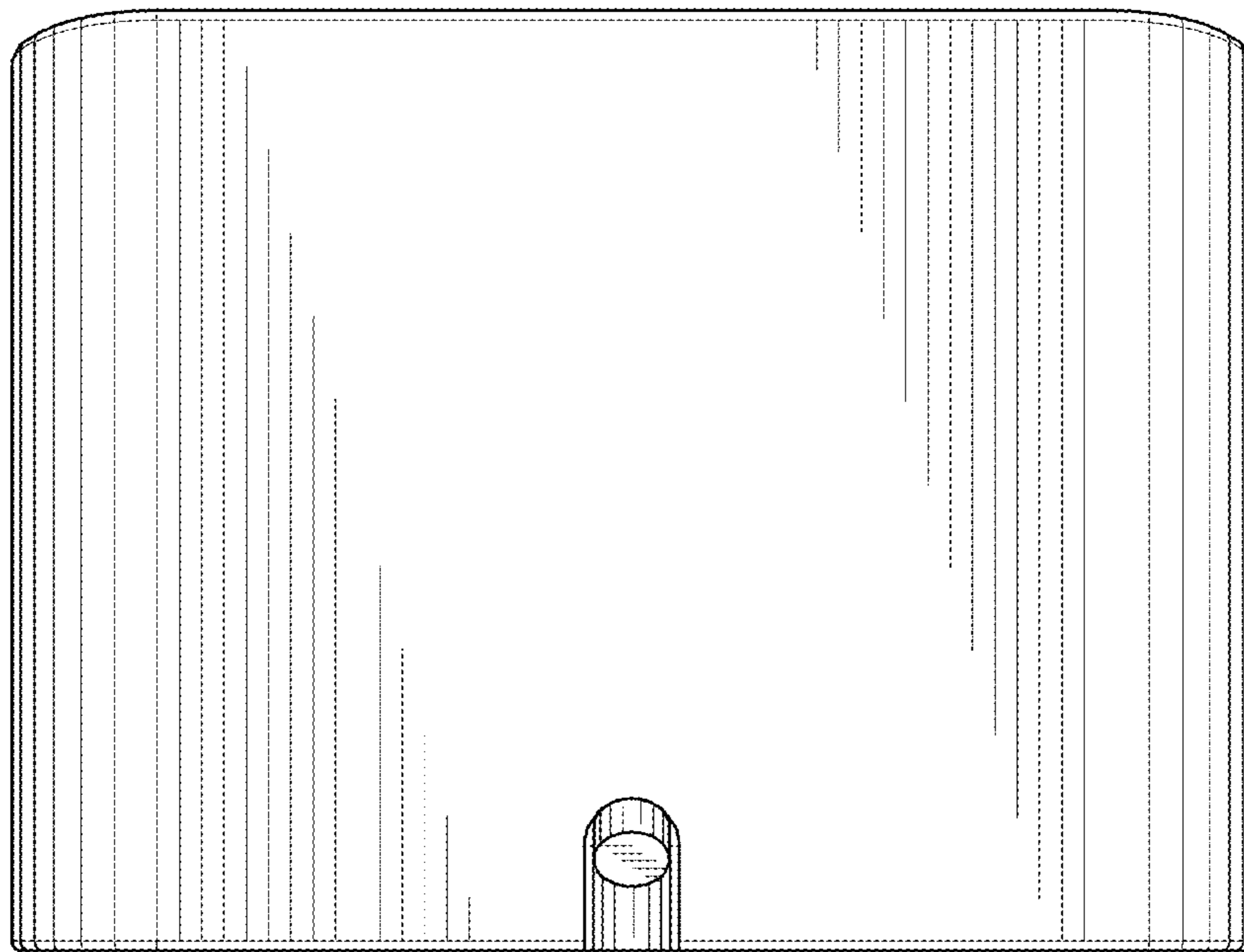


FIG. 8