



US00D680489S

(12) **United States Design Patent**  
**Chen**

(10) **Patent No.:** **US D680,489 S**

(45) **Date of Patent:** **\*\* Apr. 23, 2013**

(54) **VEHICLE MOUNTING BRACKET FOR ELECTRONIC PRODUCT**

D646,685 S \* 10/2011 Skull et al. .... D14/452  
D650,774 S \* 12/2011 Molter ..... D14/239  
2005/0127261 A1\* 6/2005 Lin ..... 248/288.51

(75) Inventor: **Kuo Hsiung Chen**, Hong Kong (HK)

\* cited by examiner

(73) Assignee: **Apollo Electronics Group Ltd.**,  
Kowloon Bay (HK)

*Primary Examiner* — Sheryl Lane

(\*\*) Term: **14 Years**

(57) **CLAIM**

(21) Appl. No.: **29/389,415**

The ornamental design for a vehicle mounting bracket for electronic product, as shown and described.

(22) Filed: **Apr. 12, 2011**

**DESCRIPTION**

(51) **LOC (9) Cl.** ..... **12-06**

(52) **U.S. Cl.**  
USPC ..... **D12/223**

(58) **Field of Classification Search** ..... D12/223;  
D8/354, 363, 349; D14/452, 447, 457, 432,  
D14/439, 440, 448; 248/274.1, 121, 127,  
248/183.1, 917-924

See application file for complete search history.

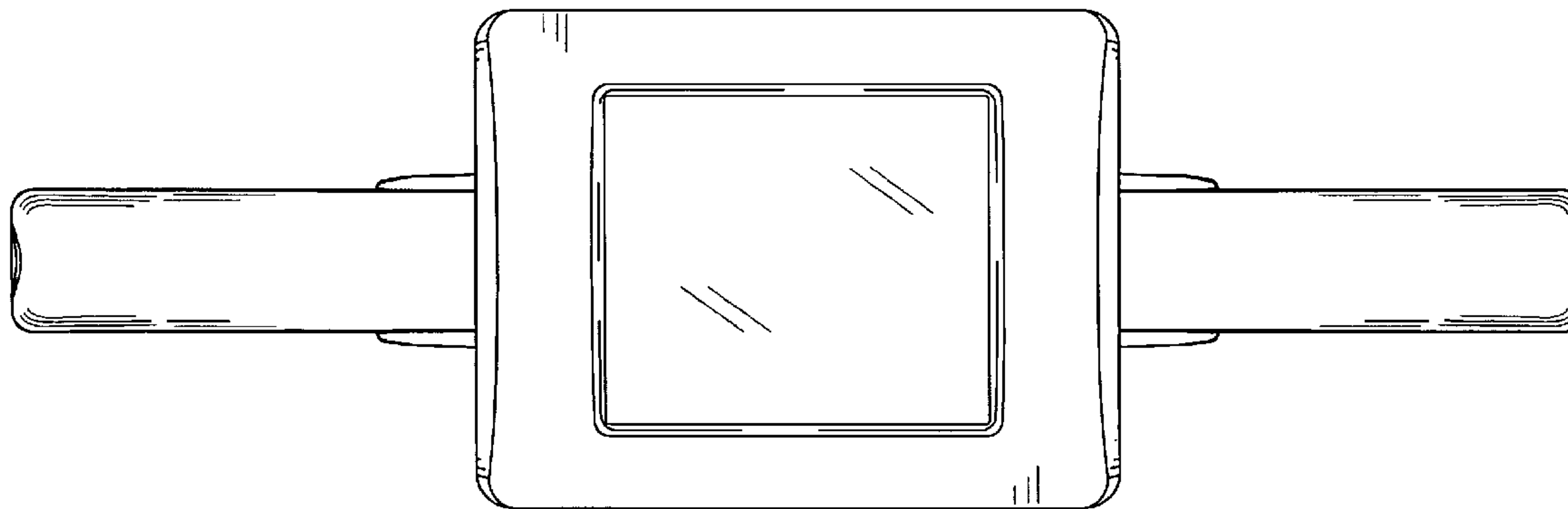
FIG. 1 is a front view of the vehicle mounting bracket for electronic product showing my new design;  
FIG. 2 is a rear view;  
FIG. 3 is a left side view;  
FIG. 4 is a right side view;  
FIG. 5 is a top view;  
FIG. 6 is a bottom view;  
FIG. 7 is a perspective view;  
FIG. 8 is another perspective view; and,  
FIG. 9 is a perspective view showing the concealed connector after a button at the back of the panel of the device (same button could be seen in FIGS. 2, 5, 8) is pressed.  
The broken lines show portions of the article and form no part of the claimed design.

(56) **References Cited**

U.S. PATENT DOCUMENTS

D369,433 S \* 4/1996 Cochran ..... D26/138  
D438,837 S \* 3/2001 Wheatley ..... D12/223  
D493,800 S \* 8/2004 Pfister et al. .... D14/451  
D523,264 S \* 6/2006 Peng ..... D6/500  
D638,023 S \* 5/2011 Skull et al. .... D14/452  
D641,610 S \* 7/2011 Sedalo ..... D8/354

**1 Claim, 9 Drawing Sheets**



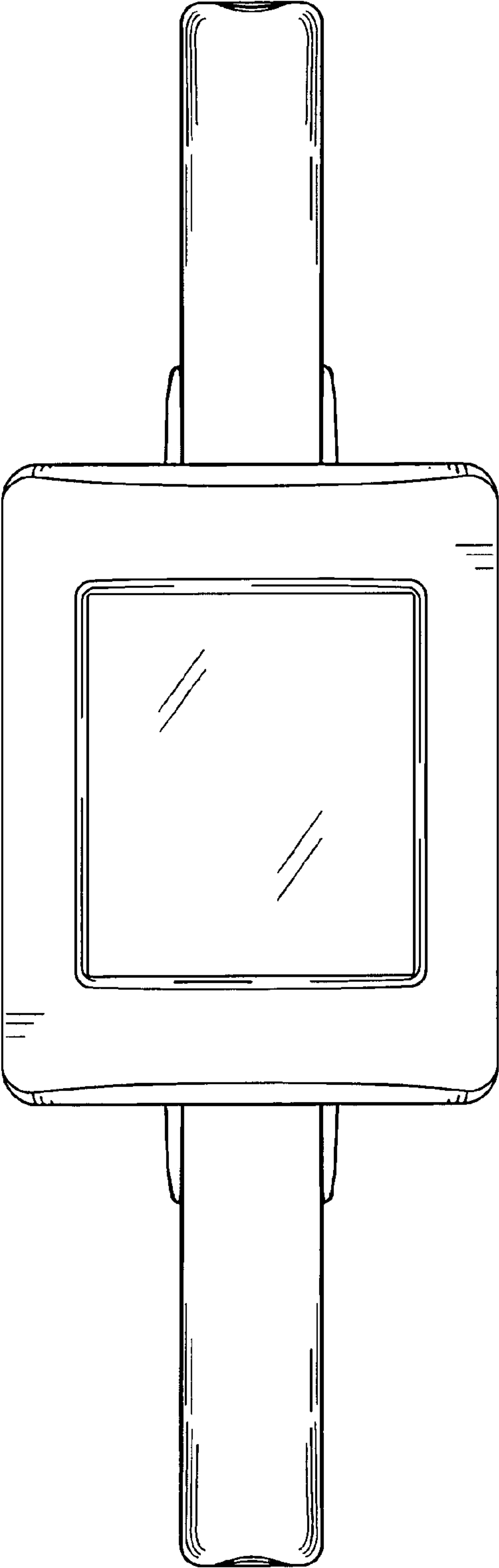


Figure 1

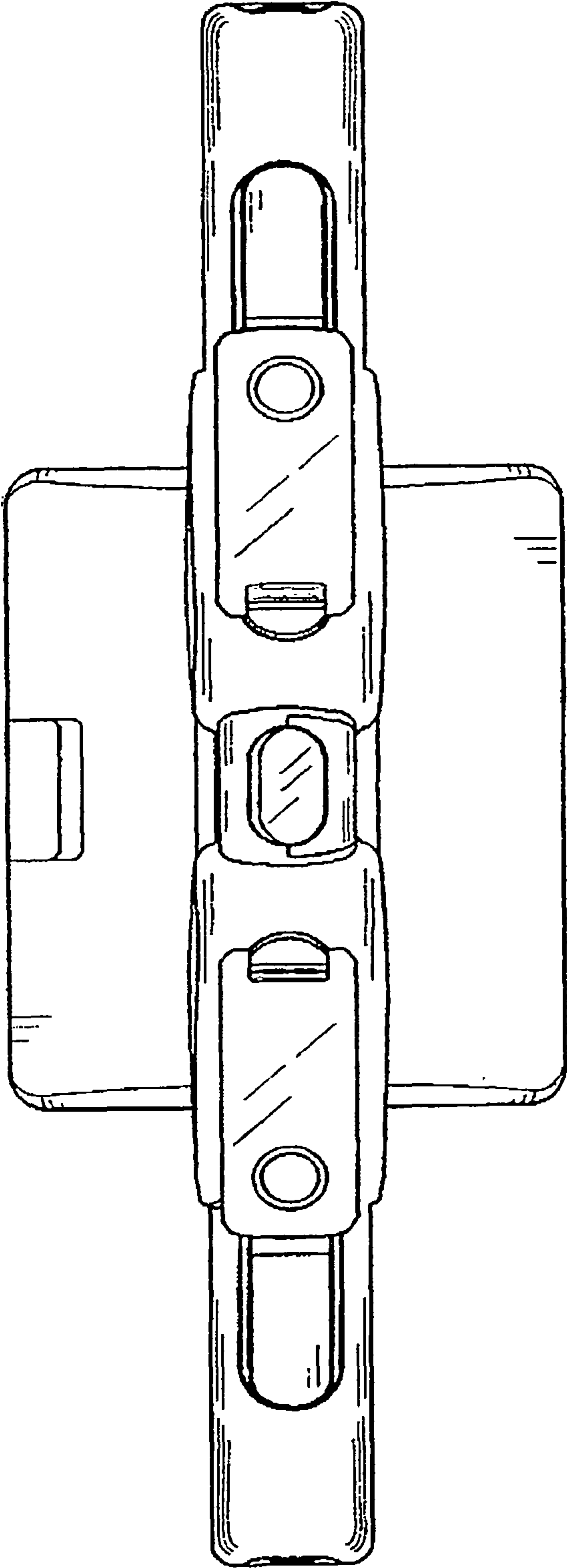


Figure 2

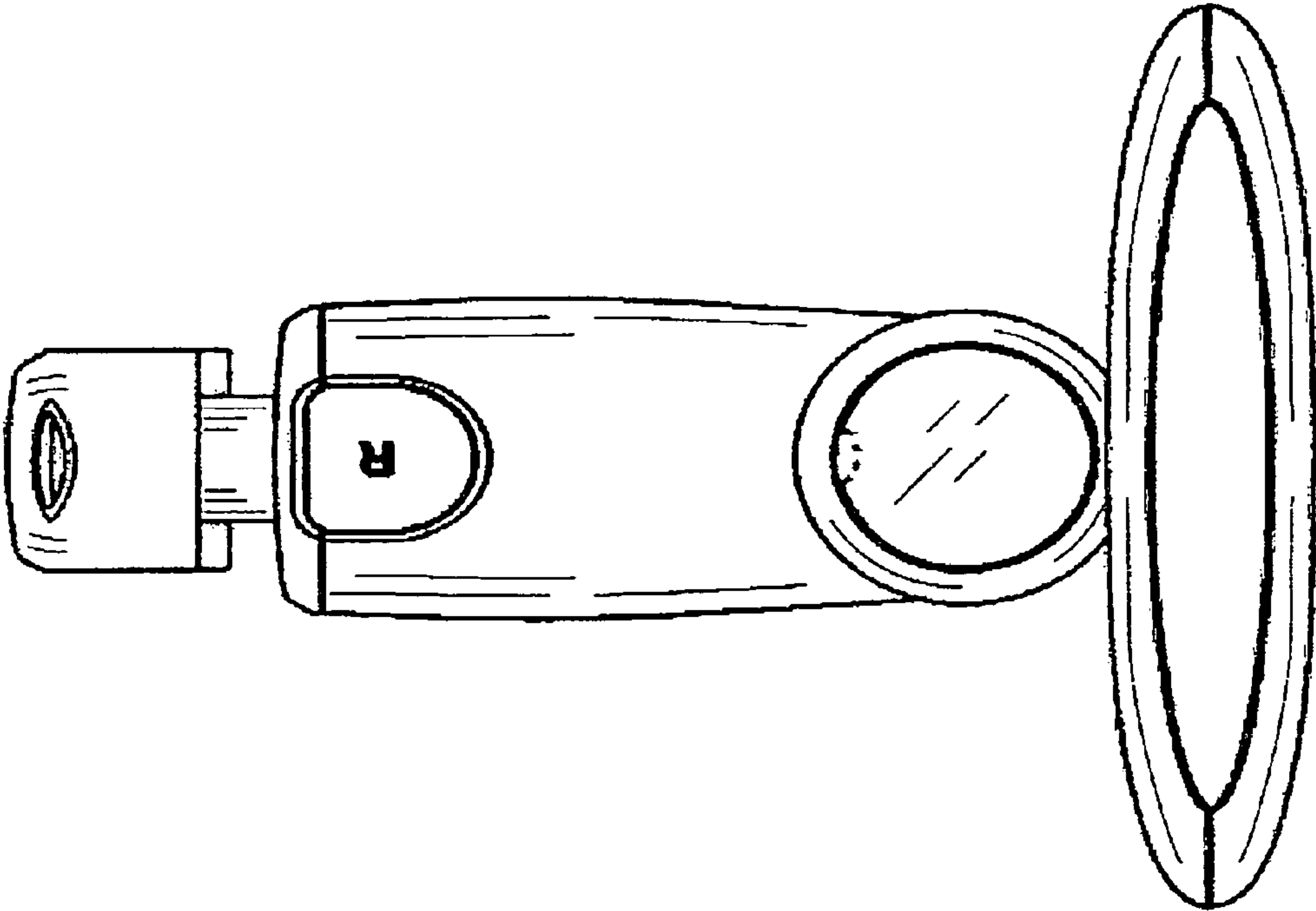


Figure 3

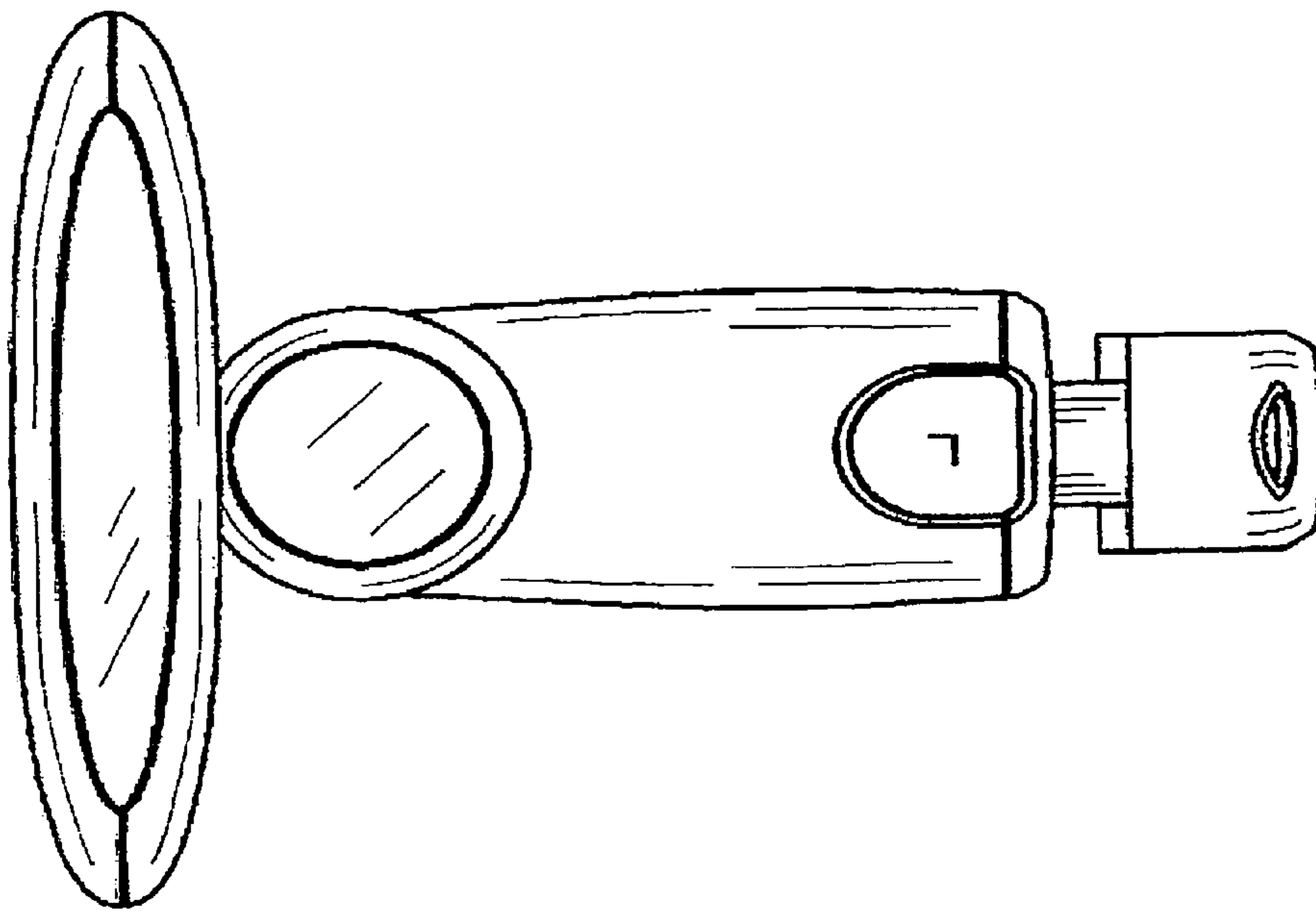


Figure 4

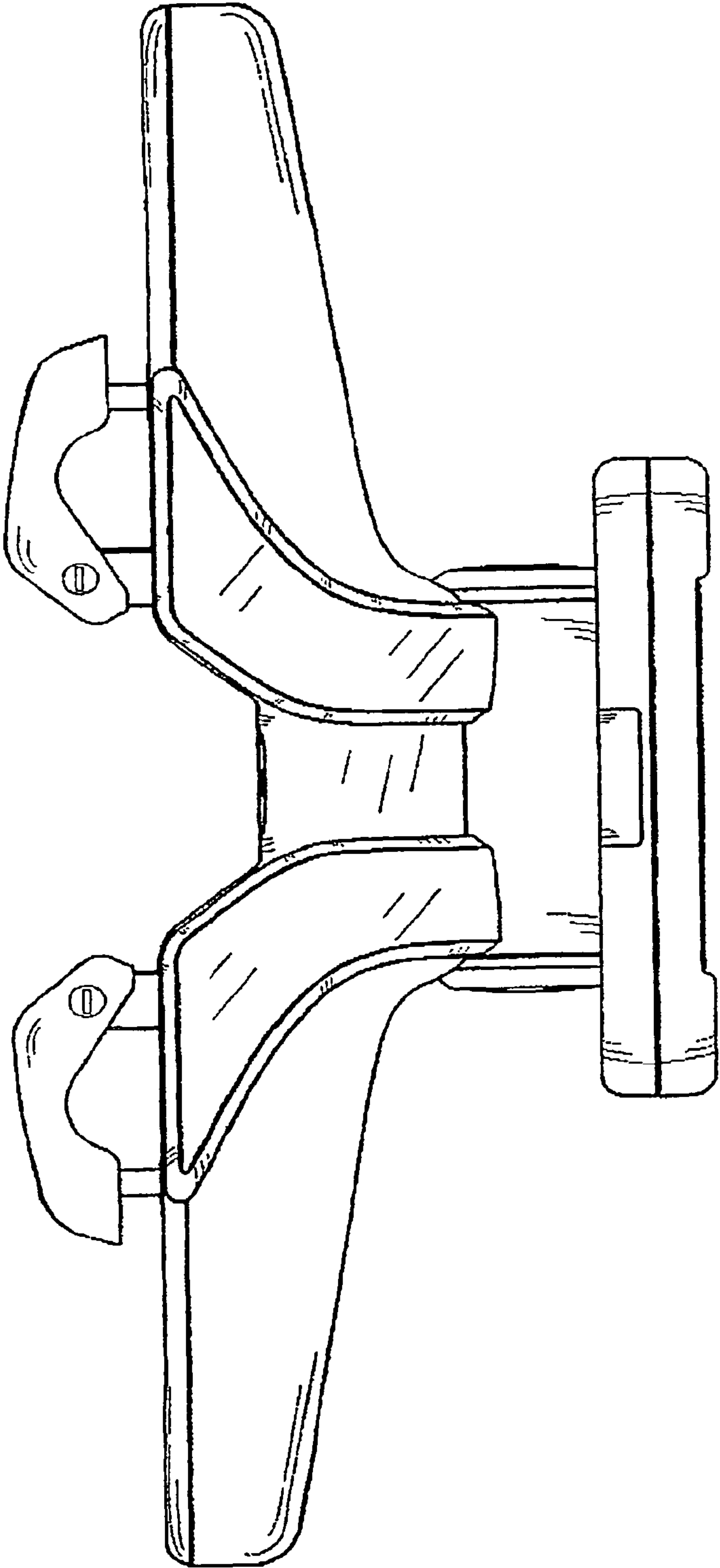


Figure 5

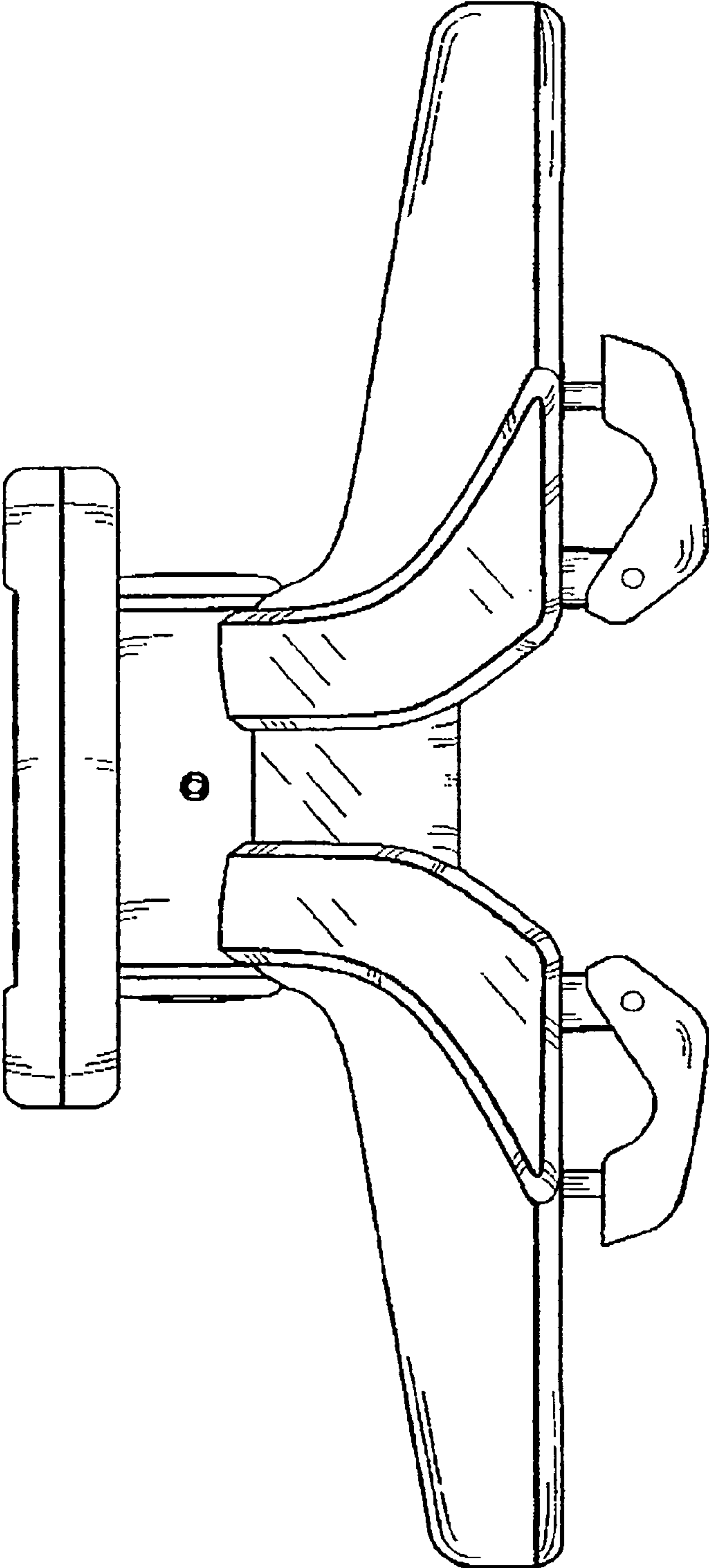


Figure 6

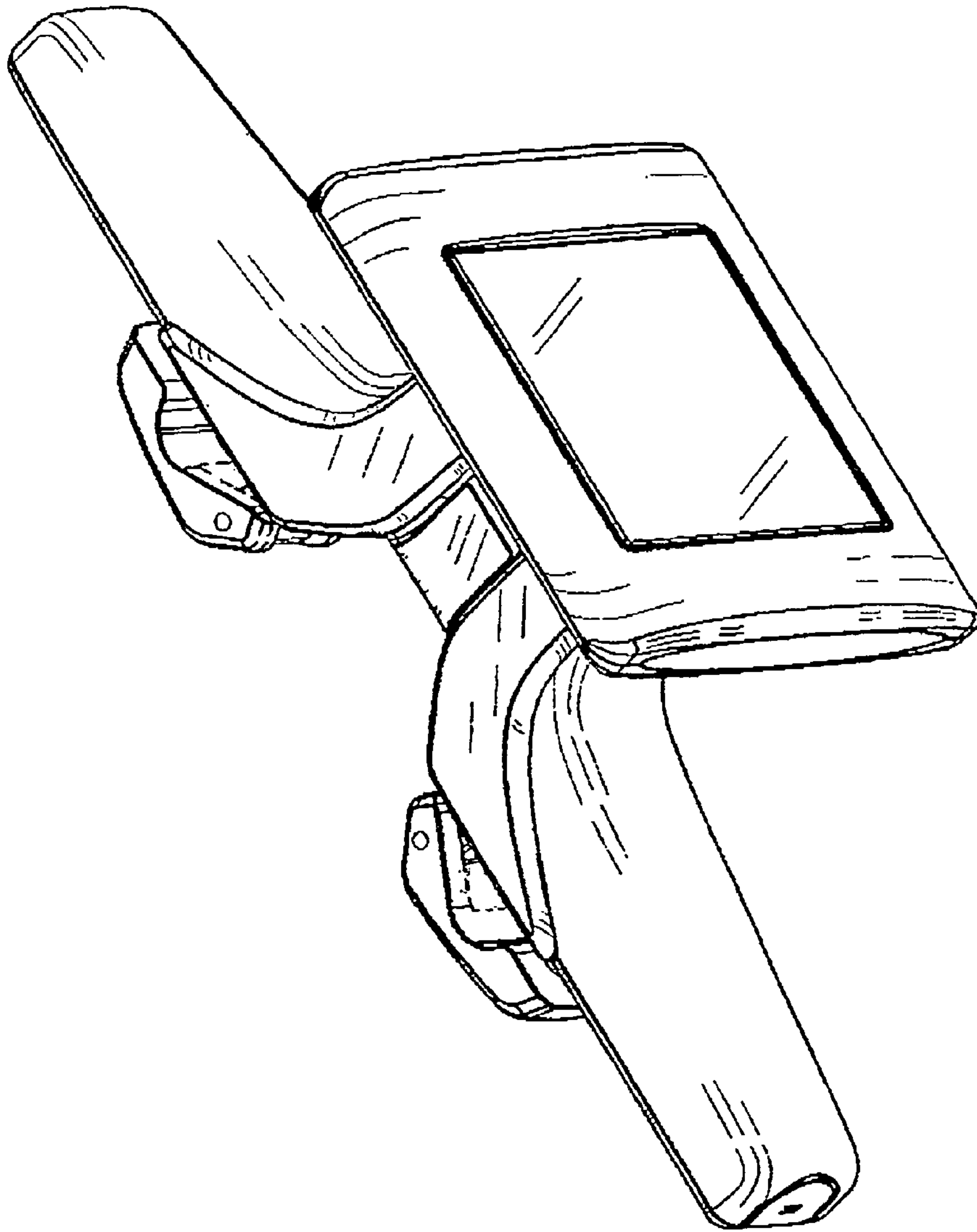


Figure 7



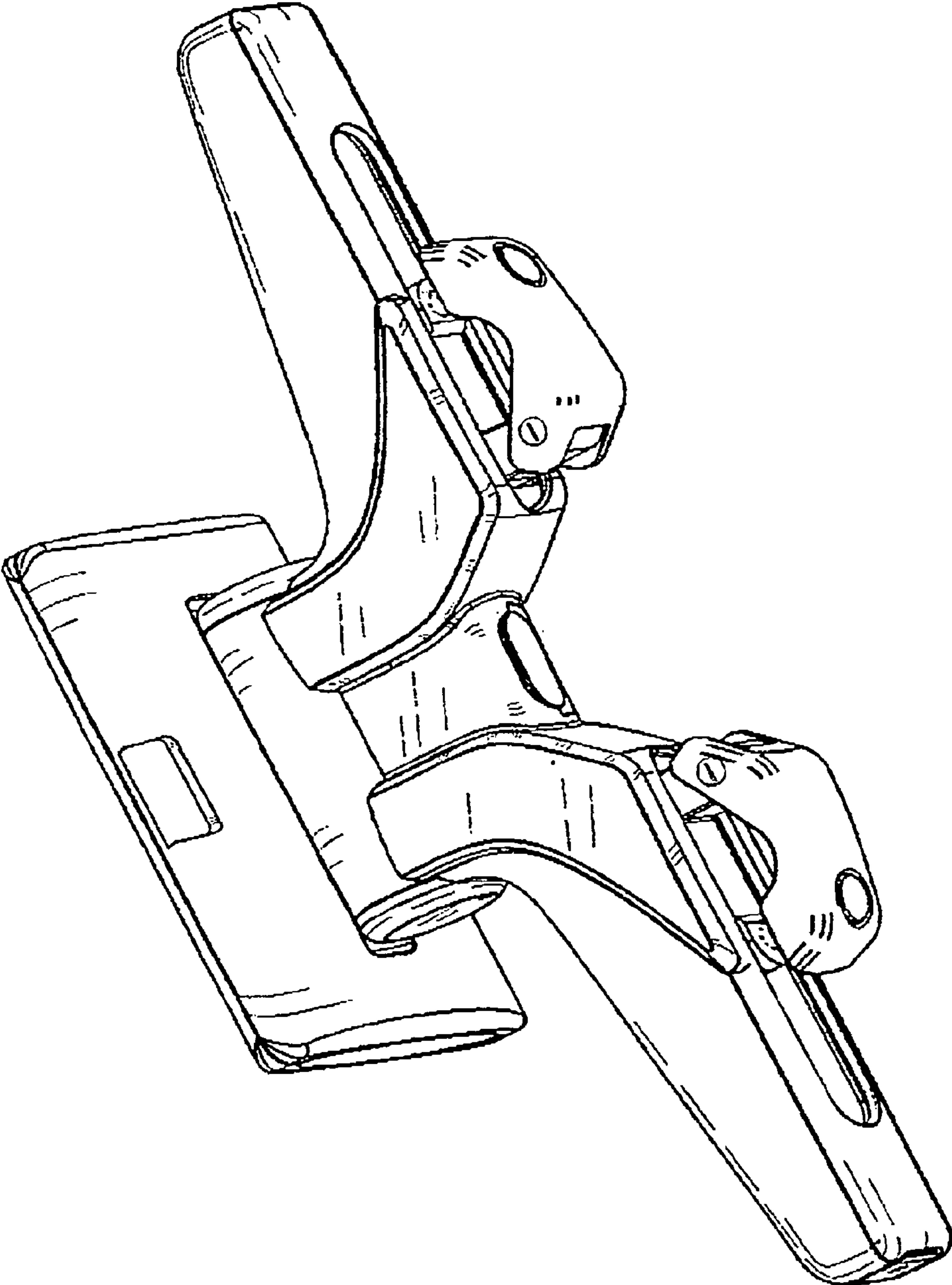


Figure 8

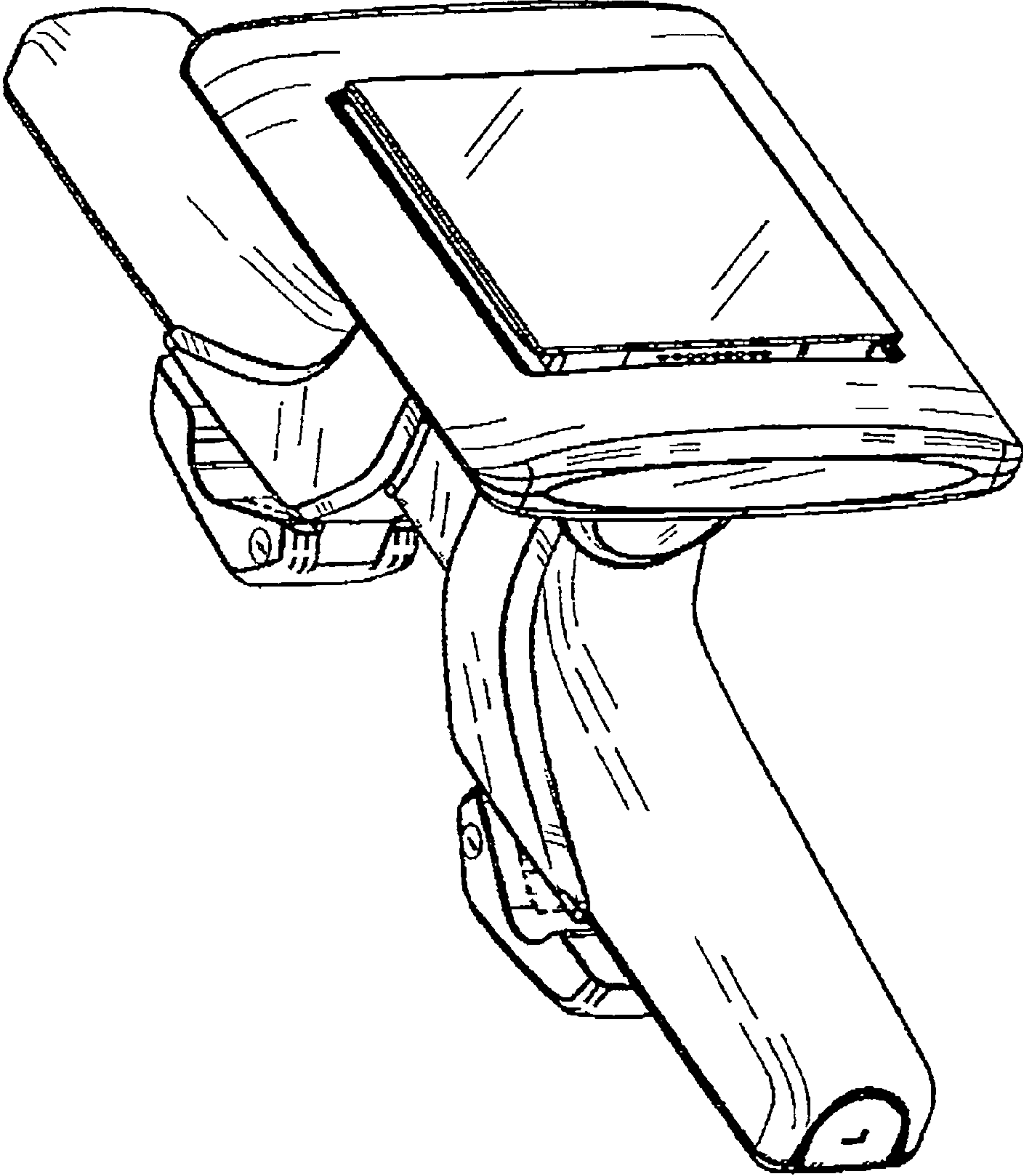


Figure 9