



US00D680488S

(12) **United States Design Patent**  
**Campbell et al.**

(10) **Patent No.:** **US D680,488 S**

(45) **Date of Patent:** **\*\* Apr. 23, 2013**

(54) **VEHICLE WHEEL**

(71) Applicant: **Ford Global Technologies, LLC**,  
Dearborn, MI (US)

(72) Inventors: **Paul Campbell**, Essex (GB); **Paul Jonathan Alexander Wraith**, Essex (GB); **Wolfgang Gotschke**, Cologne (DE)

(73) Assignee: **Ford Motor Company**, Dearborn, MI (US)

(\*\*) Term: **14 Years**

(21) Appl. No.: **29/436,109**

(22) Filed: **Nov. 1, 2012**

(51) **LOC (9) Cl.** ..... **12-16**

(52) **U.S. Cl.**  
USPC ..... **D12/211**

(58) **Field of Classification Search** ..... D12/204-213;  
301/37.101, 64.101, 65, 64.201  
See application file for complete search history.

(56) **References Cited**

U.S. PATENT DOCUMENTS

D466,464 S *	12/2002	Hodges	.....	D12/209
D466,849 S *	12/2002	Lee	.....	D12/209
D522,952 S *	6/2006	Nakahara	.....	D12/211
D580,842 S *	11/2008	Kim	.....	D12/211
D586,280 S *	2/2009	Blasi	.....	D12/209
D614,106 S *	4/2010	Junker	.....	D12/209
D627,700 S *	11/2010	Ectors et al.	.....	D12/209
D630,147 S *	1/2011	Sands	.....	D12/211
D643,356 S *	8/2011	Gotschke	.....	D12/209
D654,006 S *	2/2012	Baum	.....	D12/209

D666,960 S *	9/2012	Chung	.....	D12/211
D670,223 S *	11/2012	Chung	.....	D12/209
D673,100 S *	12/2012	Mueller-Stolz	.....	D12/211

OTHER PUBLICATIONS

Now on Jokeforblog, May 12, 2012 <http://jokeforblog.blogspot.com/2012/05/ford-transit-connect-leaked.html>.

Garage Car 2013 Ford Transit Shows the new generation Tourneo Custom Concept, Mar. 7, 2012 <http://nashvillestories.blogspot.com/2012/03/2013-ford-transit-shows-new-generation.html>.

Ford Unveils All-New 2014 Transit, Transit Connect, Transit Courier Vans, Sep. 6, 2012 <http://rumors.automobilemag.com/ford-unveils-all-new-2013-transit-connect-for-europe-167369.html#axzz2KbpT6e2s>.

CarAdvice Ford Transit Custom previews new commercial van range, Apr. 19, 2012 <http://www.caradvice.com.au/168987/ford-transit-custom-previews-new-commercial-van-range/ford-transit-custom-concept-4>.

Ford Tourneo Custom Concept previews next-gen Transit range, Feb. 22, 2012 <http://www.gizmag.com/ford-tourneo-transit-private-commercial-van/21554/>.

\* cited by examiner

*Primary Examiner* — Stacia Cadmus

(74) *Attorney, Agent, or Firm* — Damian Porcari

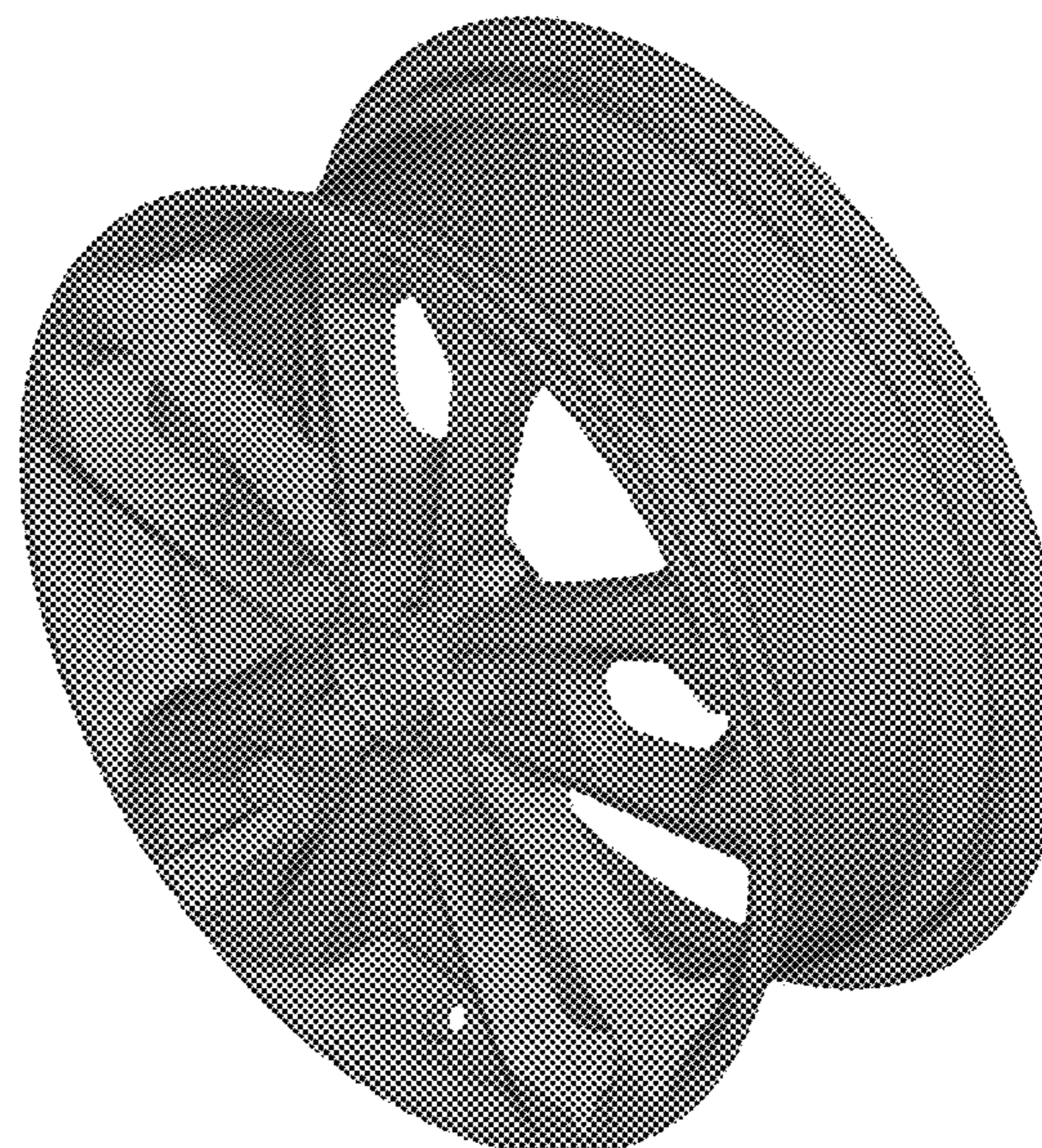
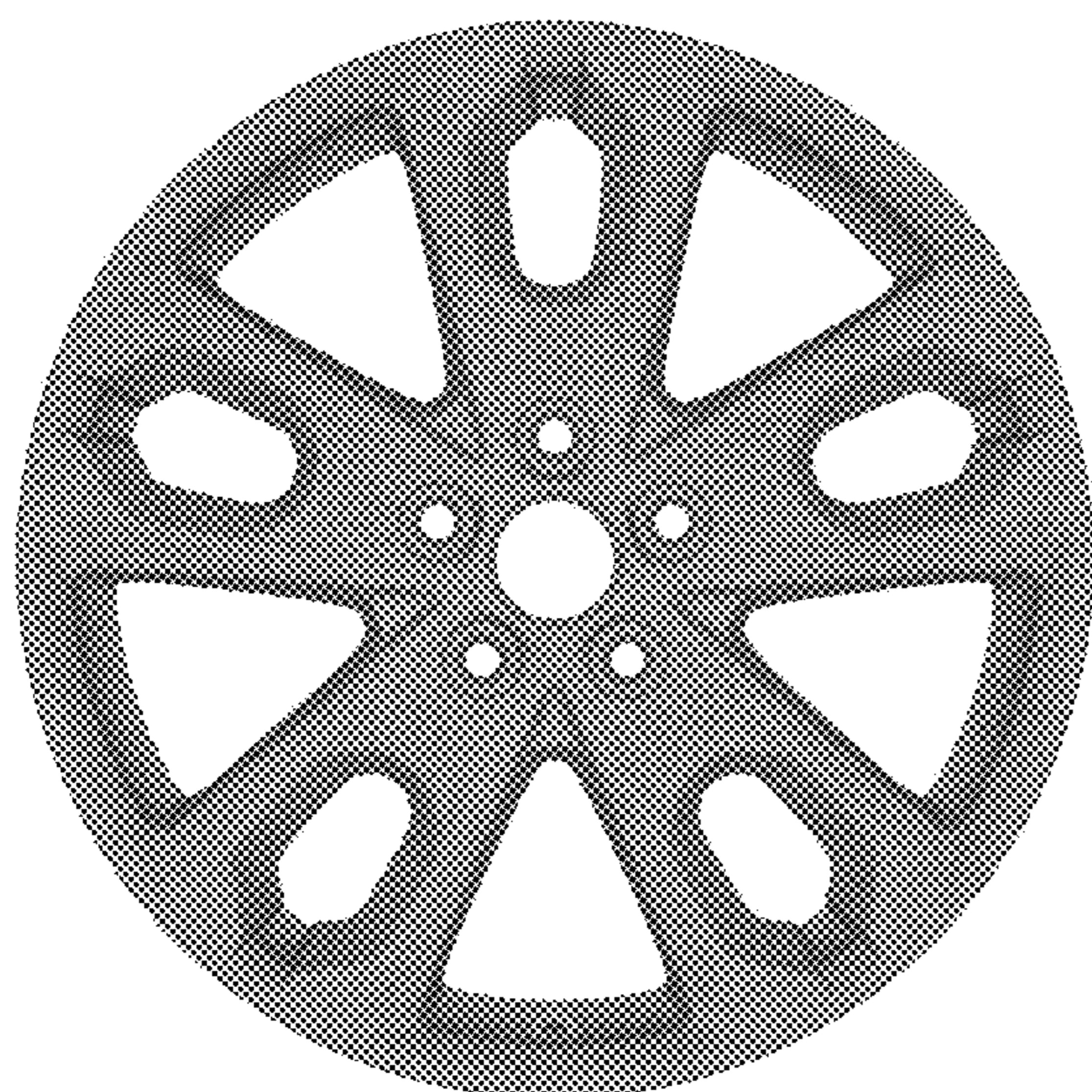
(57) **CLAIM**

The ornamental design for a vehicle wheel, shown and described.

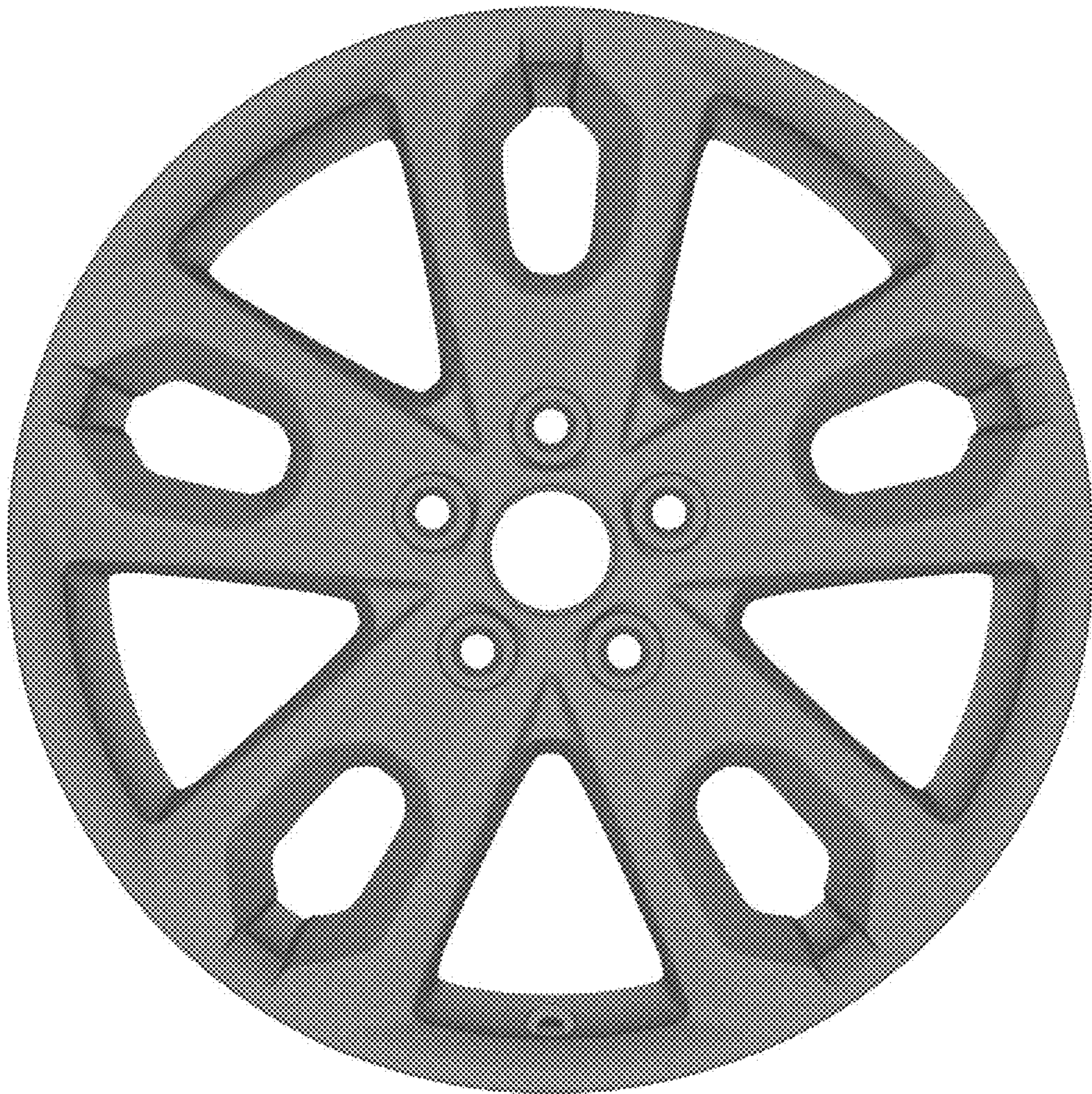
**DESCRIPTION**

FIG. 1 is a front view of a vehicle wheel; and, FIG. 2 is a perspective view of the vehicle wheel.

**1 Claim, 2 Drawing Sheets**







*Figure 1*





*Figure 2*