



US00D680487S

(12) **United States Design Patent**  
**Zhao**

(10) **Patent No.:** **US D680,487 S**  
(45) **Date of Patent:** **\*\* Apr. 23, 2013**

- (54) **AUTOMOBILE WHEEL**
- (71) Applicant: **Wah Hung International Machinery Inc.**, Monterrey Park, CA (US)
- (72) Inventor: **John Zhao**, Monterrey Park, CA (US)
- (73) Assignee: **Wah Hung International Machinery Inc.**, Monterrey Park, CA (US)
- (\*\*) Term: **14 Years**
- (21) Appl. No.: **29/435,032**
- (22) Filed: **Oct. 18, 2012**
- (51) **LOC (9) Cl.** ..... **12-16**
- (52) **U.S. Cl.**  
USPC ..... **D12/211**
- (58) **Field of Classification Search** ..... D12/204-213;  
301/37.101, 64.101, 65, 64.201  
See application file for complete search history.

D593,021 S *	5/2009	Chung	.....	D12/211
D617,250 S *	6/2010	Zhao	.....	D12/211
D617,709 S *	6/2010	Borkert	.....	D12/209
D617,718 S *	6/2010	Zhao	.....	D12/211
D618,156 S *	6/2010	Zhao	.....	D12/211
D620,418 S *	7/2010	Borkert	.....	D12/209
D655,234 S *	3/2012	Zhao	.....	D12/211
D670,226 S *	11/2012	Muller	.....	D12/211

\* cited by examiner

*Primary Examiner* — Stacia Cadmus  
(74) *Attorney, Agent, or Firm* — Adli Law Group P.C.

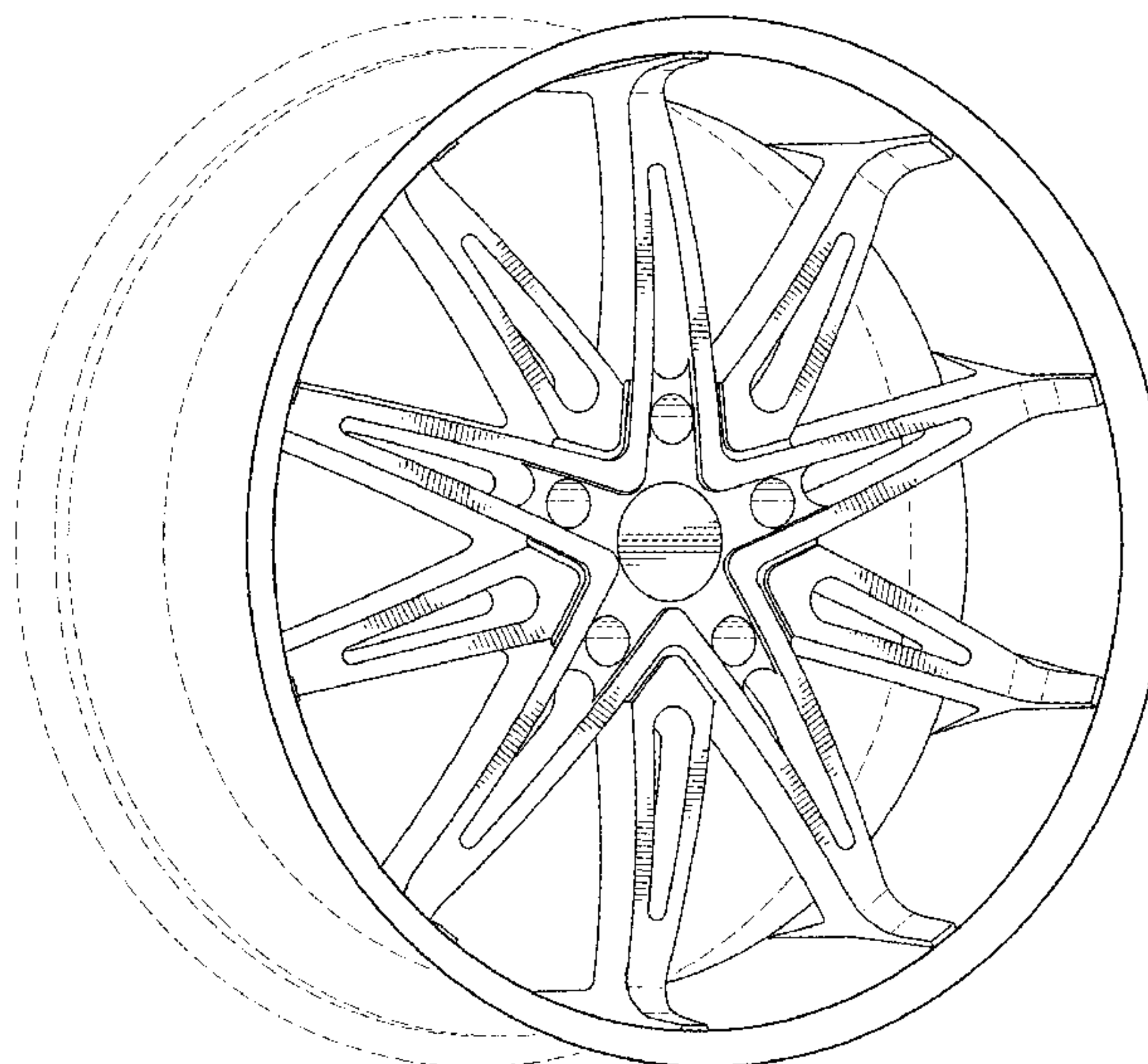
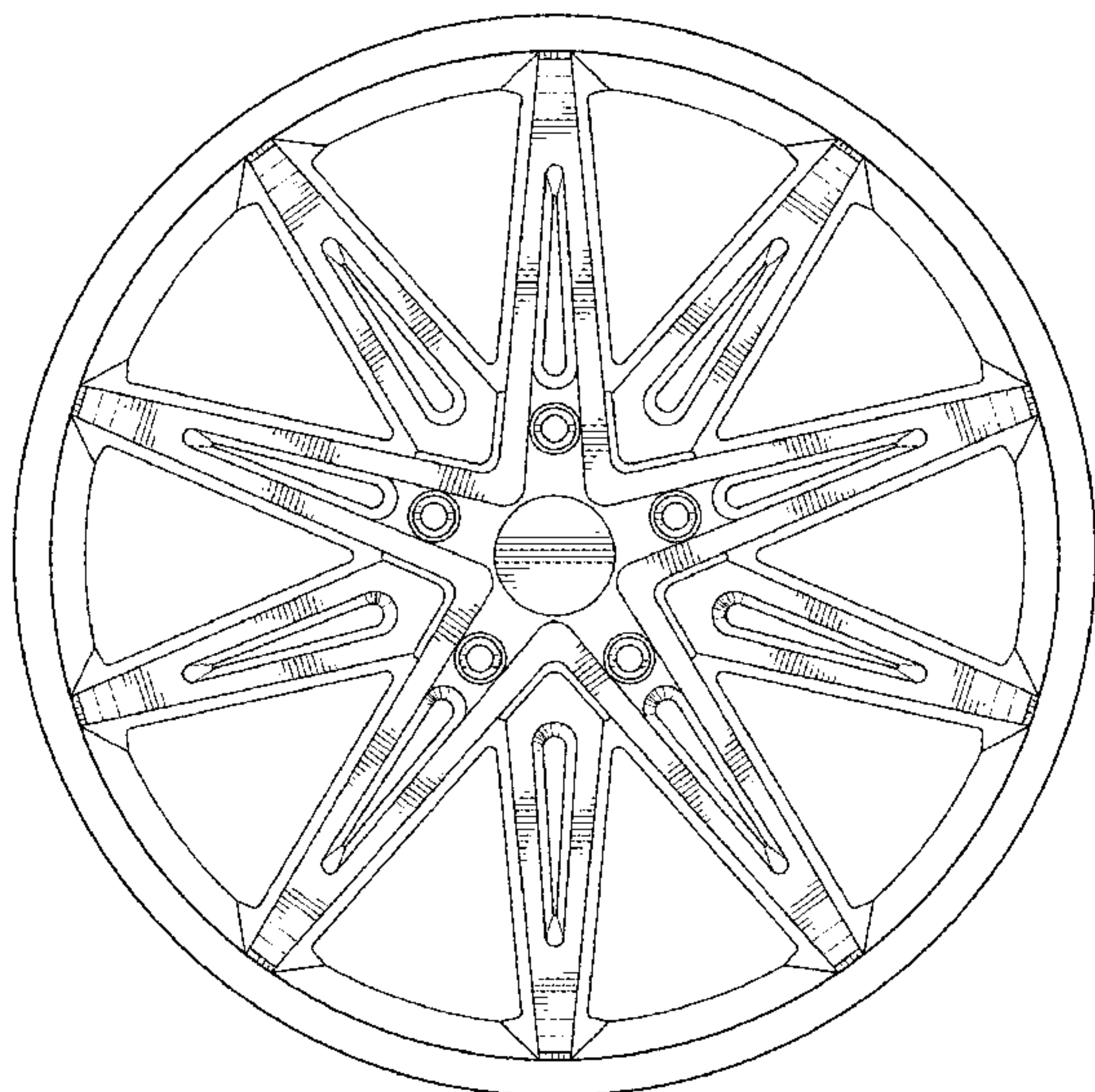
(57) **CLAIM**  
The ornamental design for an automobile wheel, as shown and described.

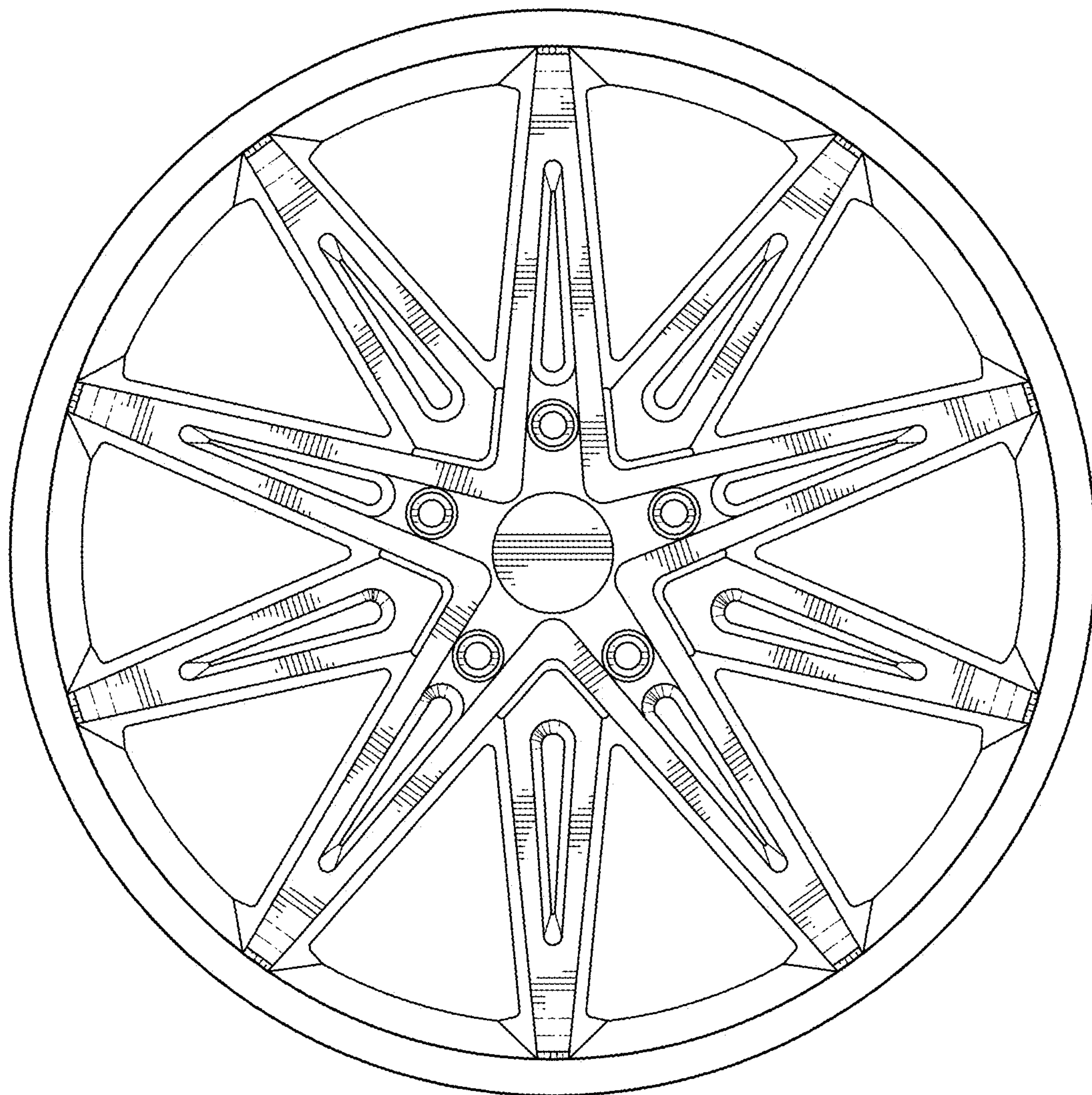
**DESCRIPTION**

FIG. 1 is a front elevational view of an automobile wheel, showing my new design; and, FIG. 2 is perspective view thereof. The broken line showing of the rear of the rim is included for the purpose of illustrating environment and forms no part of the claimed design.

**1 Claim, 2 Drawing Sheets**

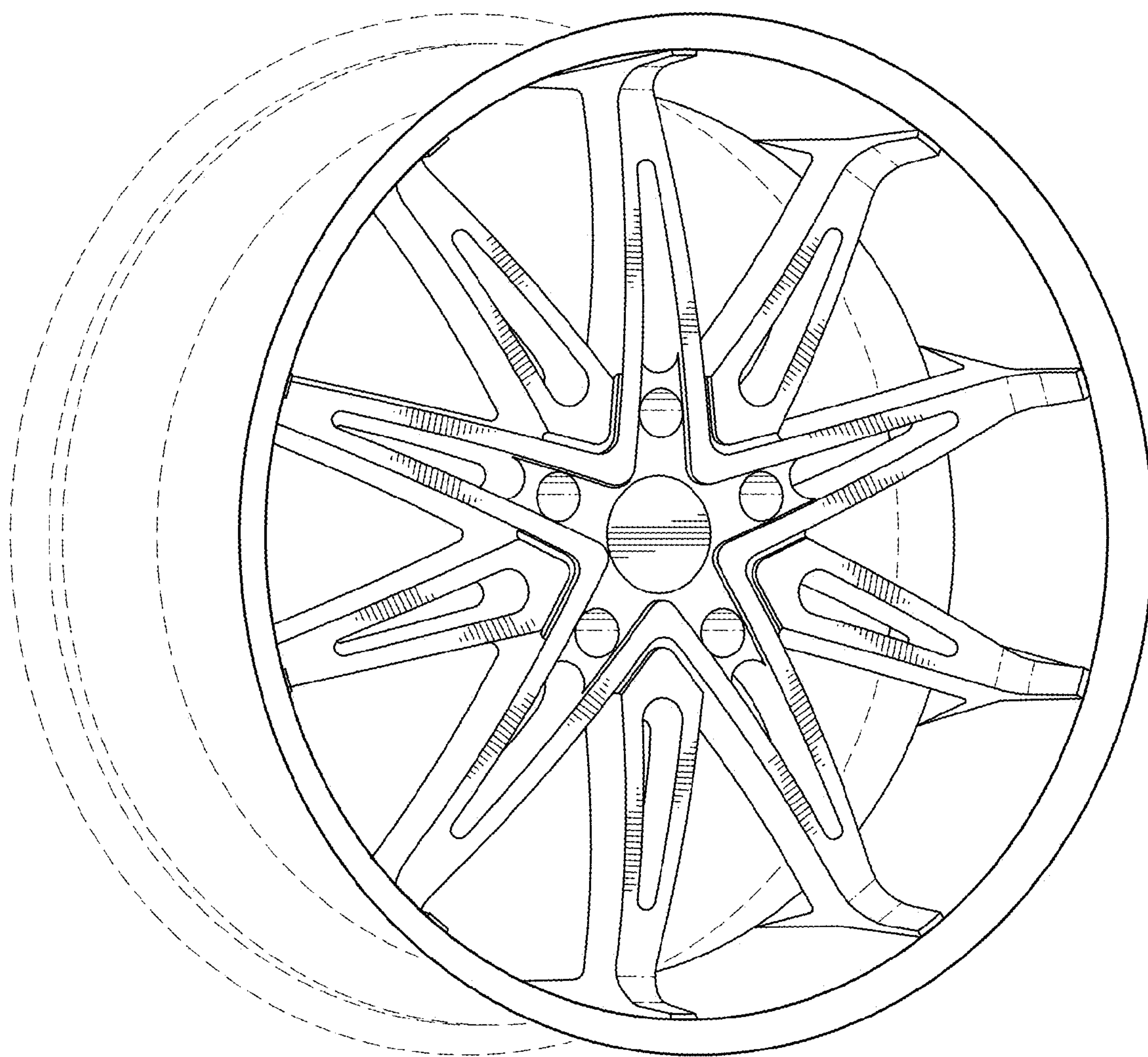
- (56) **References Cited**  
U.S. PATENT DOCUMENTS  
D533,827 S \* 12/2006 Aydin ..... D12/211  
D546,748 S \* 7/2007 Young ..... D12/211  
D578,455 S \* 10/2008 Pfeiffer ..... D12/211





*FIG. 1*





*FIG. 2*