



US00D680482S

(12) **United States Design Patent**
Gruner

(10) **Patent No.:** **US D680,482 S**
(45) **Date of Patent:** **** Apr. 23, 2013**

(54) **VEHICLE WHEEL RIM**

(75) Inventor: **Frank Gruner**, Gaimersheim (DE)

(73) Assignee: **Audi AG**, Ingolstadt (DE)

(**) Term: **14 Years**

(21) Appl. No.: **29/420,921**

(22) Filed: **May 15, 2012**

(30) **Foreign Application Priority Data**

Nov. 15, 2011 (EM) 001 947 268-0001

(51) **LOC (9) Cl.** **12-16**

(52) **U.S. Cl.**
USPC **D12/209**

(58) **Field of Classification Search** D12/204-213;
301/37.101, 64.101, 65, 64.201
See application file for complete search history.

(56) **References Cited**

U.S. PATENT DOCUMENTS

D466,853 S	*	12/2002	Maifrini	D12/211
D481,663 S	*	11/2003	Maifrini	D12/211
D563,305 S	*	3/2008	Schweizer	D12/211
D572,649 S	*	7/2008	Laengerer	D12/211
D580,842 S	*	11/2008	Kim	D12/211
D590,314 S	*	4/2009	Hettler	D12/209
D609,623 S	*	2/2010	Gallert	D12/209

D615,018 S	*	5/2010	Truebsbach	D12/211
D620,417 S	*	7/2010	Gallert	D12/209
D620,424 S	*	7/2010	Gallert	D12/211
D625,235 S	*	10/2010	Nissl	D12/209
D627,287 S	*	11/2010	Gallert	D12/209
D635,078 S	*	3/2011	Elmitt	D12/209
D651,550 S	*	1/2012	Elmitt	D12/209
D654,006 S	*	2/2012	Baum	D12/209
D658,102 S	*	4/2012	Nissl	D12/209
D660,763 S	*	5/2012	Chan	D12/209

* cited by examiner

Primary Examiner — Stacia Cadmus

(74) *Attorney, Agent, or Firm* — Lucas & Mercanti, LLP;
Klaus P. Stoffel

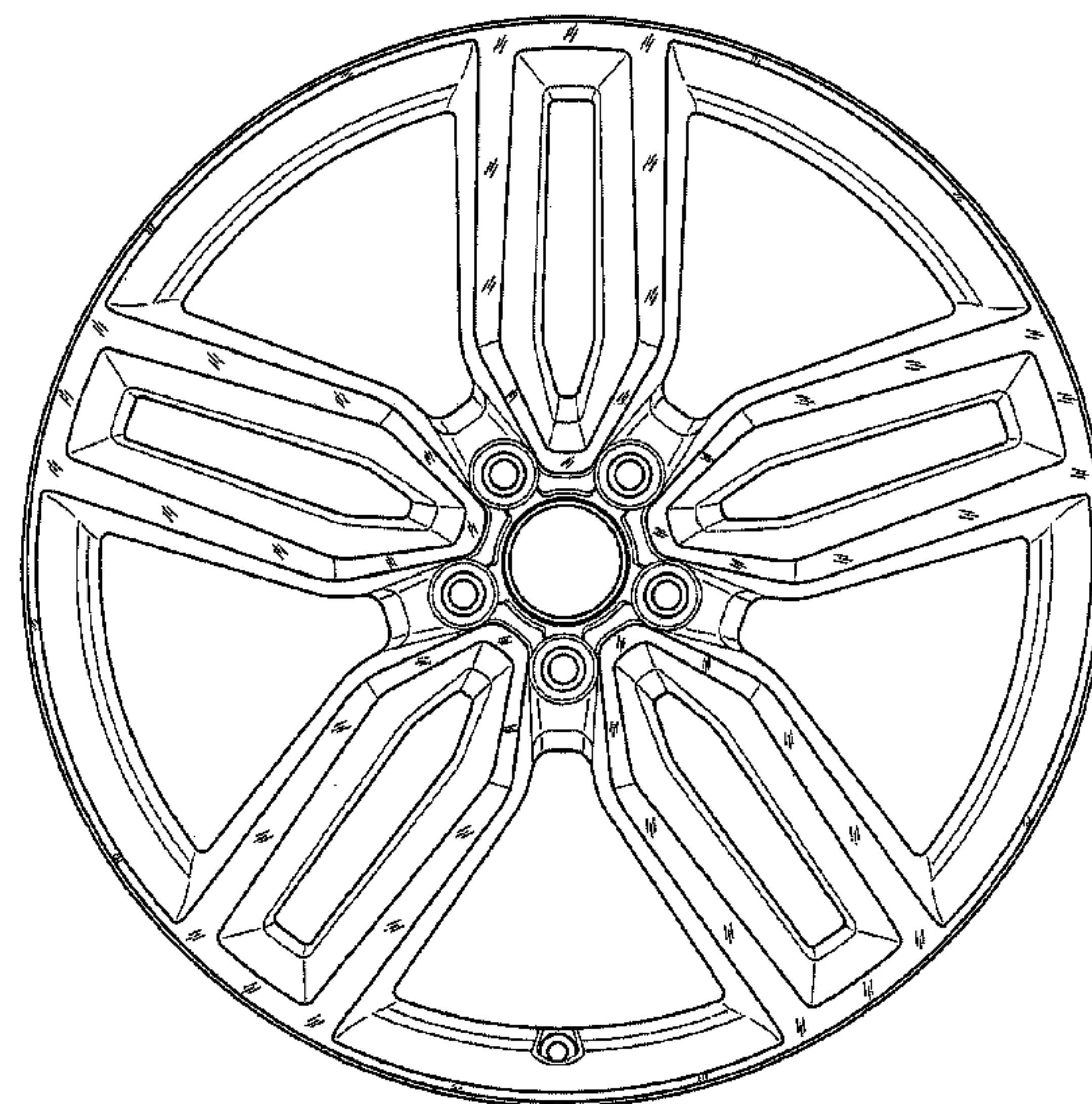
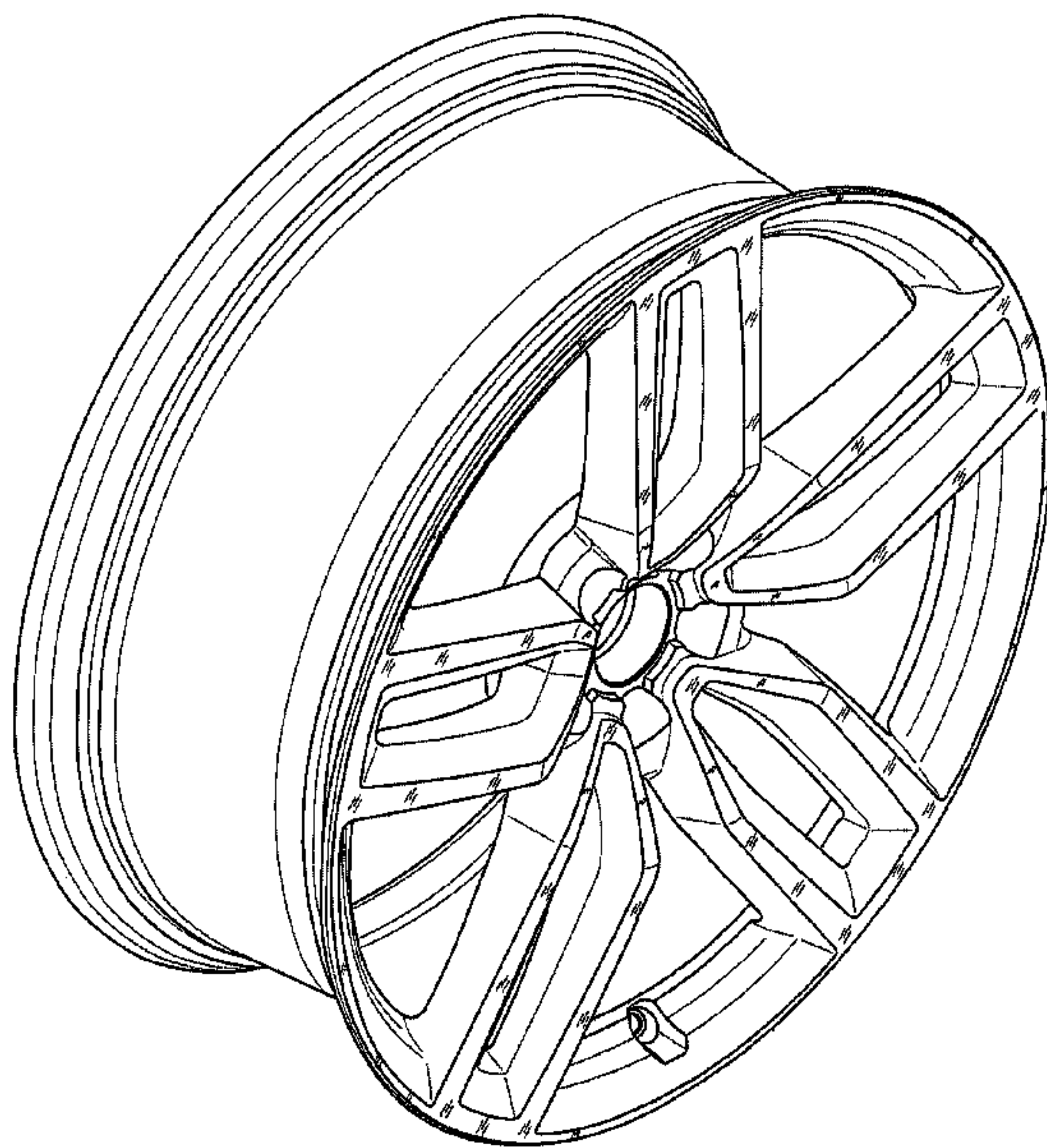
(57) **CLAIM**

The original design for a vehicle wheel rim, as shown and described.

DESCRIPTION

FIG. 1 is a front, side perspective view of the vehicle wheel rim of the present invention;
FIG. 2 is a right side view thereof;
FIG. 3 is a left side view thereof;
FIG. 4 is a front view thereof;
FIG. 5 is a bottom view thereof; and,
FIG. 6 is a top view thereof.

1 Claim, 6 Drawing Sheets



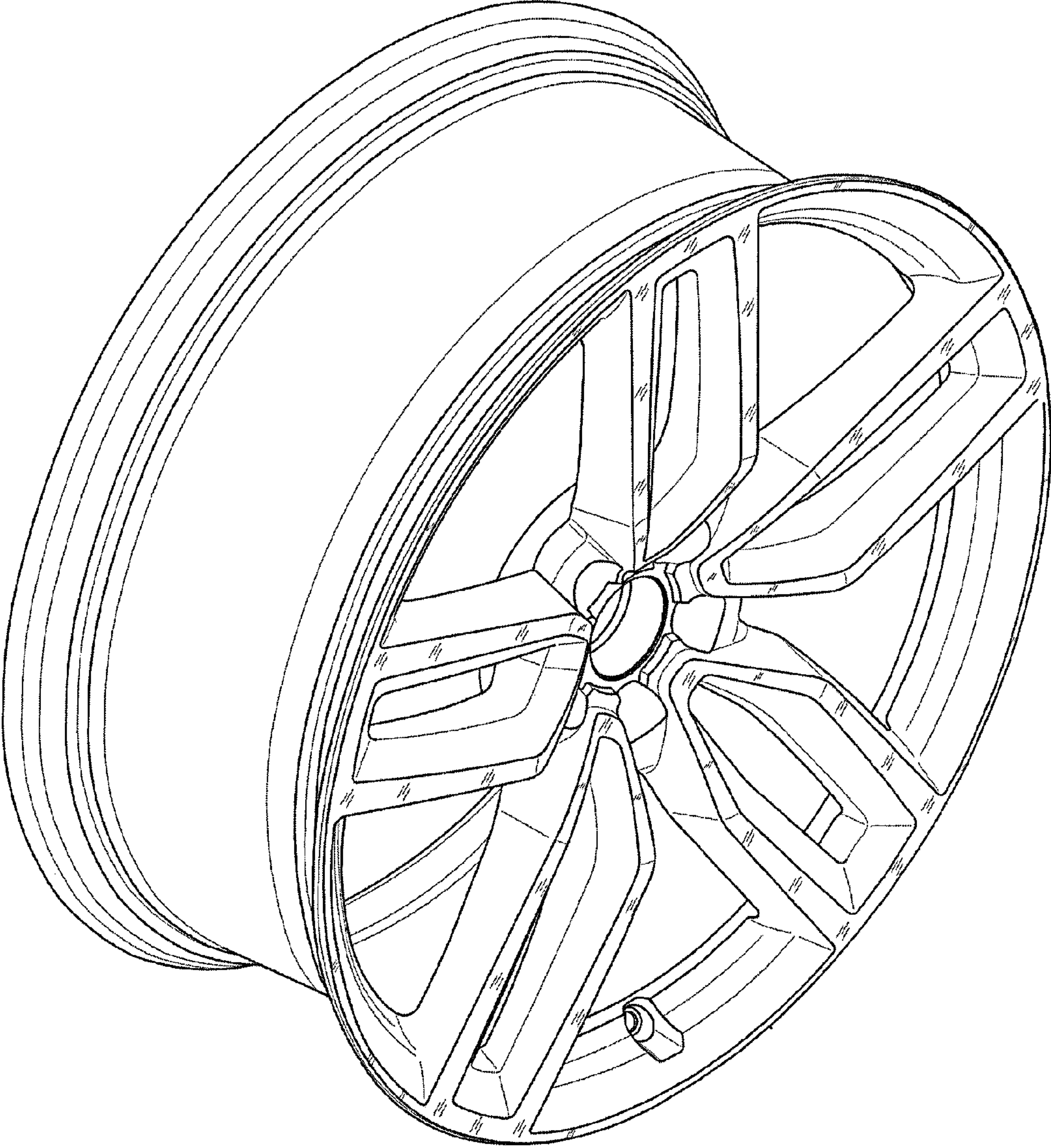


Fig. 1

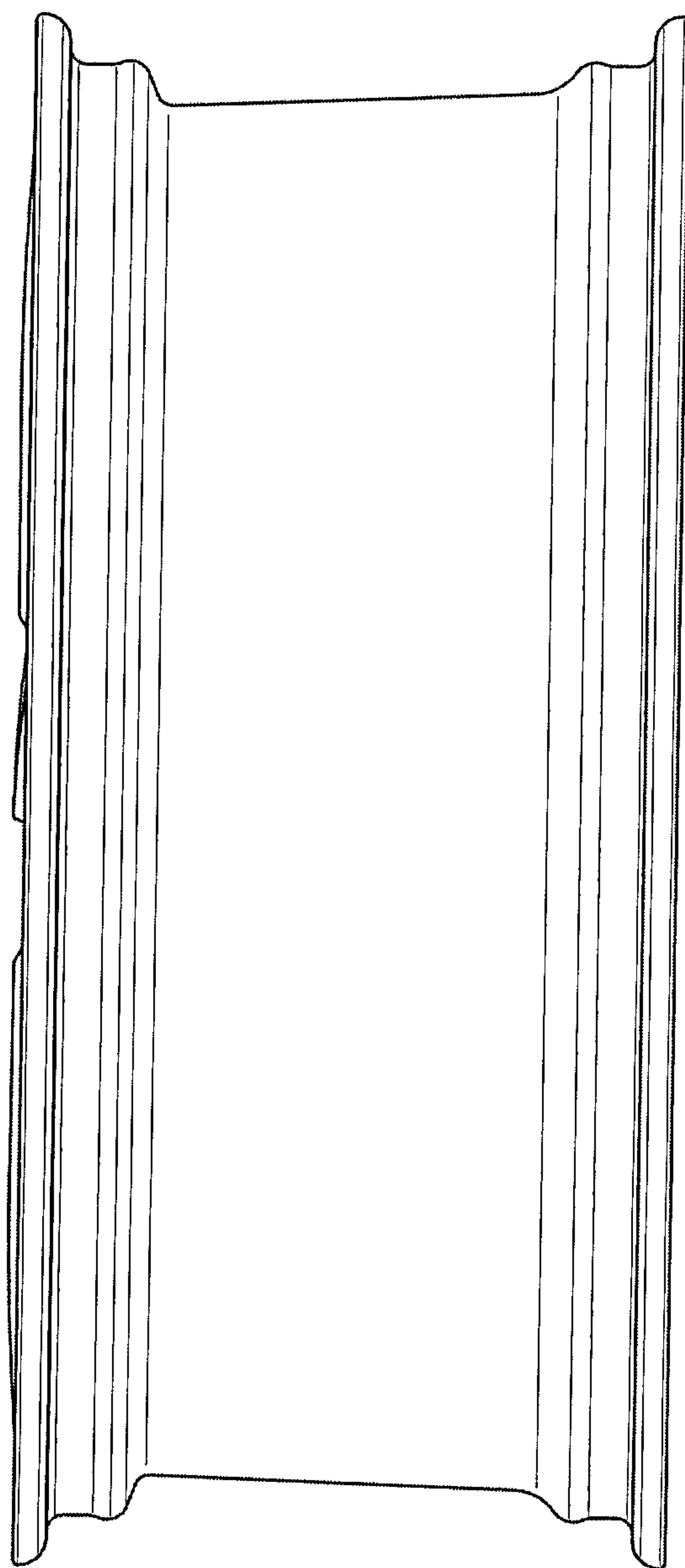


Fig. 2

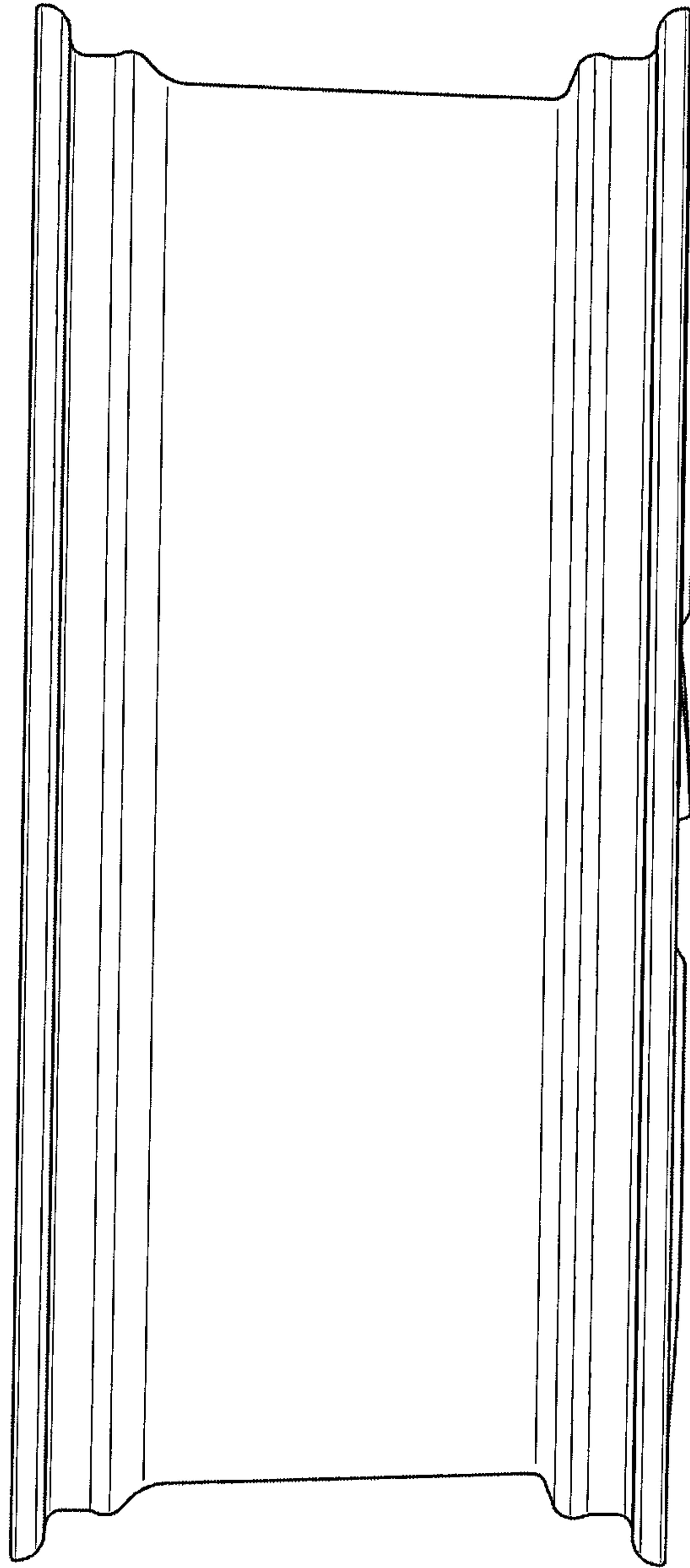


Fig. 3

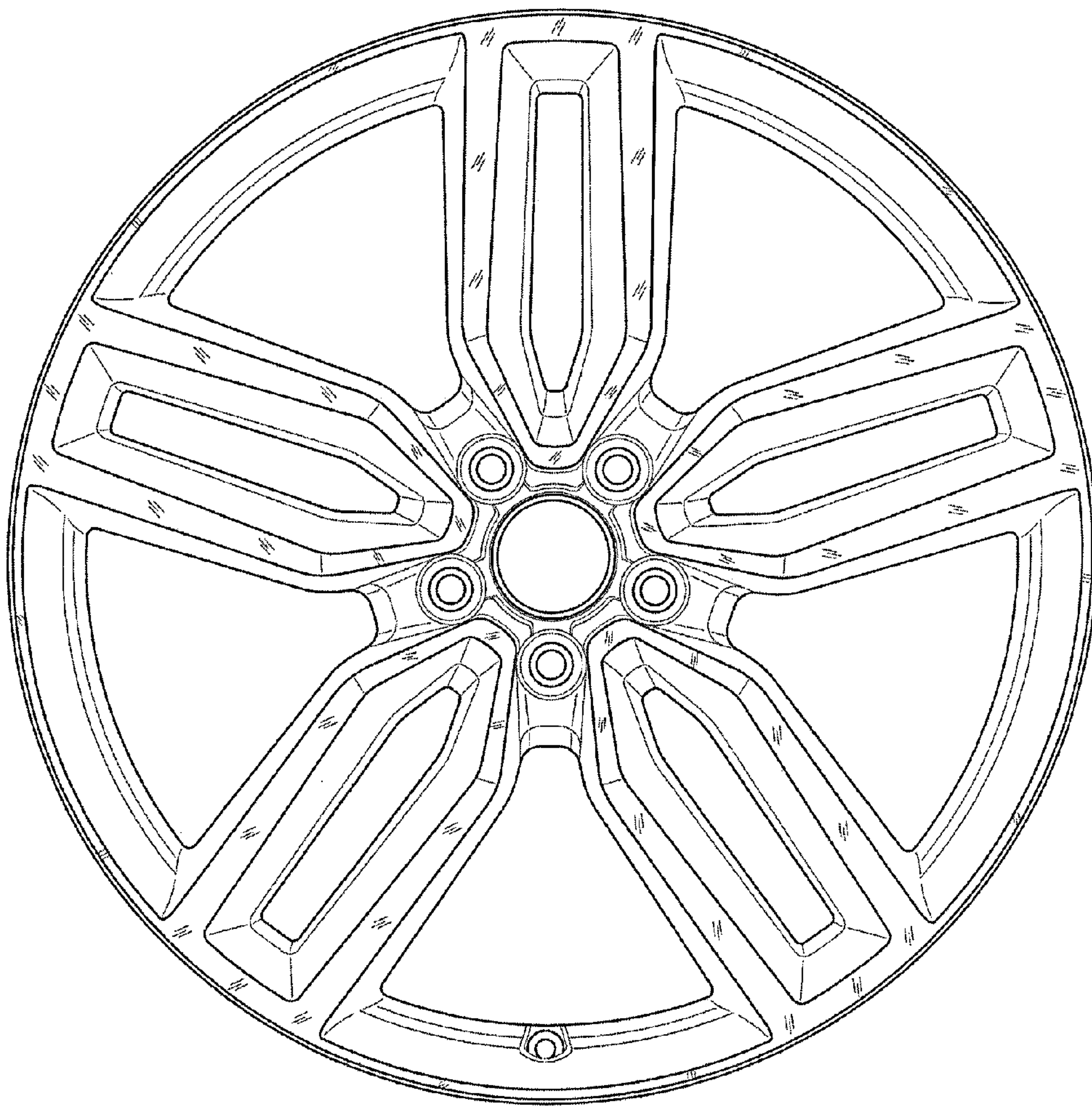


Fig. 4

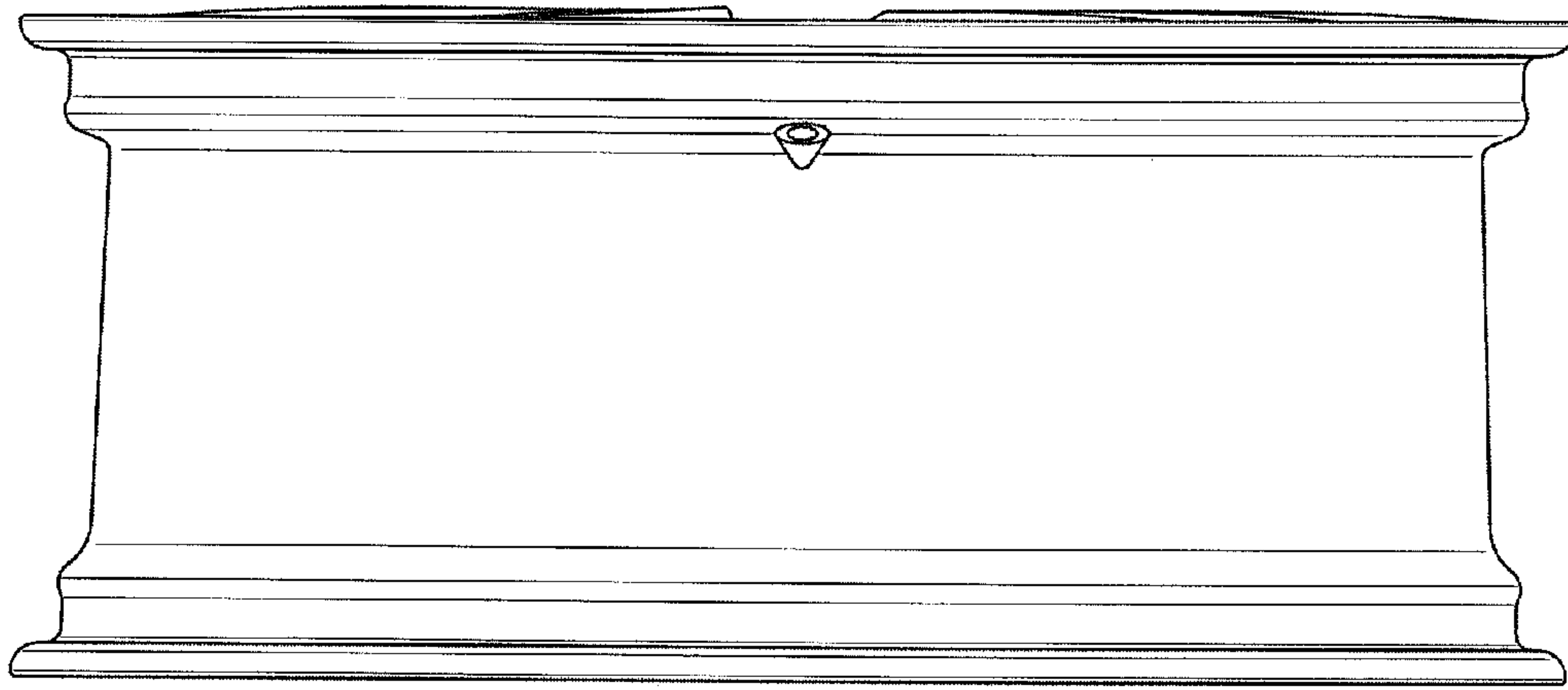


Fig. 5

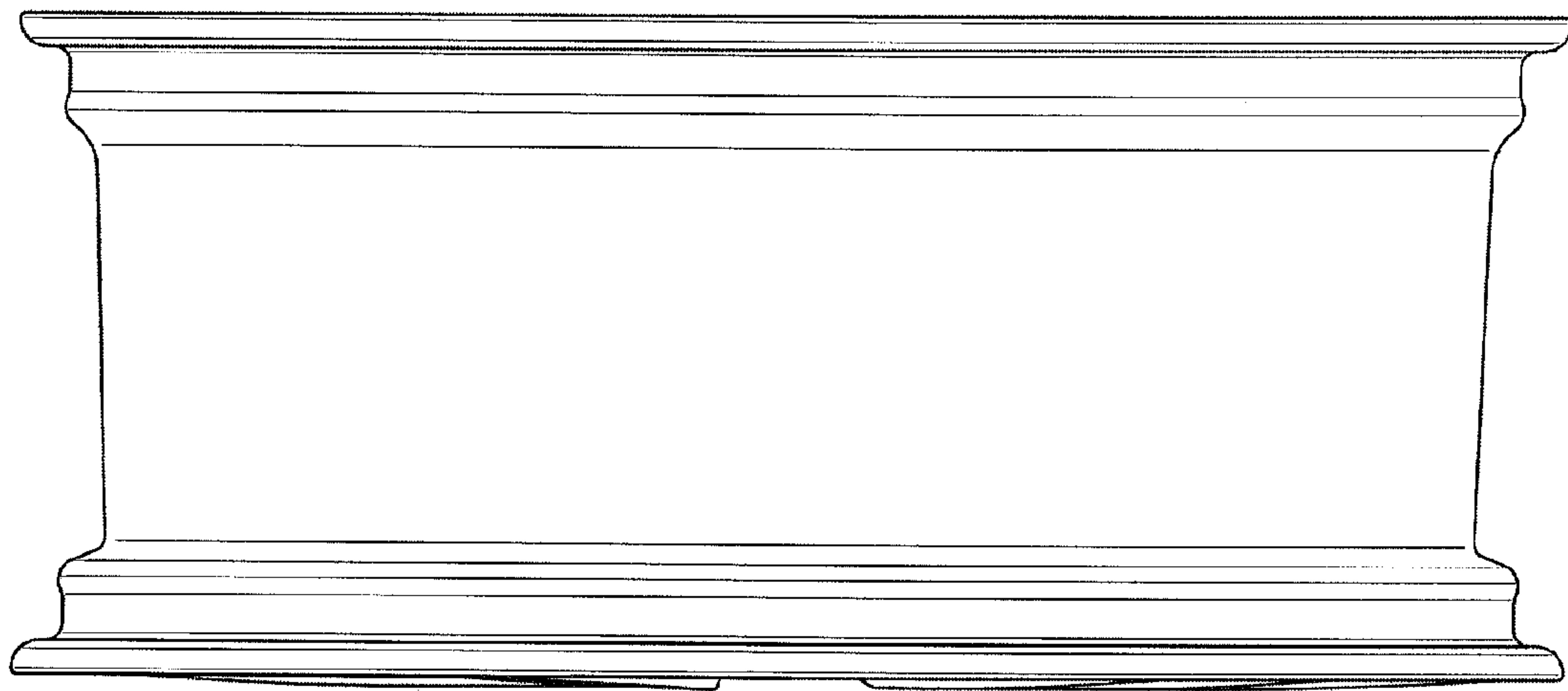


Fig. 6