



US00D680481S

(12) **United States Design Patent**  
**Hickstein**

(10) **Patent No.:** **US D680,481 S**

(45) **Date of Patent:** **\*\* Apr. 23, 2013**

- (54) **VEHICLE EXHAUST CONDUIT**
- (76) Inventor: **David Hickstein**, Morris, IL (US)
- (\*\*) Term: **14 Years**
- (21) Appl. No.: **29/406,276**
- (22) Filed: **Nov. 11, 2011**
- (51) **LOC (9) Cl.** ..... **12-16**
- (52) **U.S. Cl.**  
USPC ..... **D12/194**
- (58) **Field of Classification Search** ..... D12/194;  
D15/5; 293/113; 29/890.08; 180/89.2, 296,  
180/309; 181/247-249, 264, 282, 239-241,  
181/227, 228; 60/303, 313, 323; 138/37-39,  
138/44, 103, 109  
See application file for complete search history.

- D576,264 S \* 9/2008 Grobleben ..... D23/372
- 7,506,667 B1 \* 3/2009 Johnson et al. .... 138/118
- 7,905,642 B2 \* 3/2011 Sindelar ..... 362/543
- D671,397 S \* 11/2012 McLaughlin ..... D8/388

\* cited by examiner

*Primary Examiner* — Michael A Pratt

(74) *Attorney, Agent, or Firm* — Wood, Phillips, Katz, Clark & Mortimer

(57) **CLAIM**

The ornamental design for a vehicle exhaust conduit, substantially as shown and described.

**DESCRIPTION**

FIG. 1 is a right side, and top, perspective view of a vehicle exhaust conduit showing my new design;  
 FIG. 2 is a right side elevation view thereof;  
 FIG. 3 is a left side elevation view thereof;  
 FIG. 4 is a front elevation view thereof;  
 FIG. 5 is a rear elevation view thereof;  
 FIG. 6 is a top plan thereof;  
 FIG. 7 is a bottom view; and,  
 FIG. 8 is a side elevation view thereof in association with an exemplary vehicle.

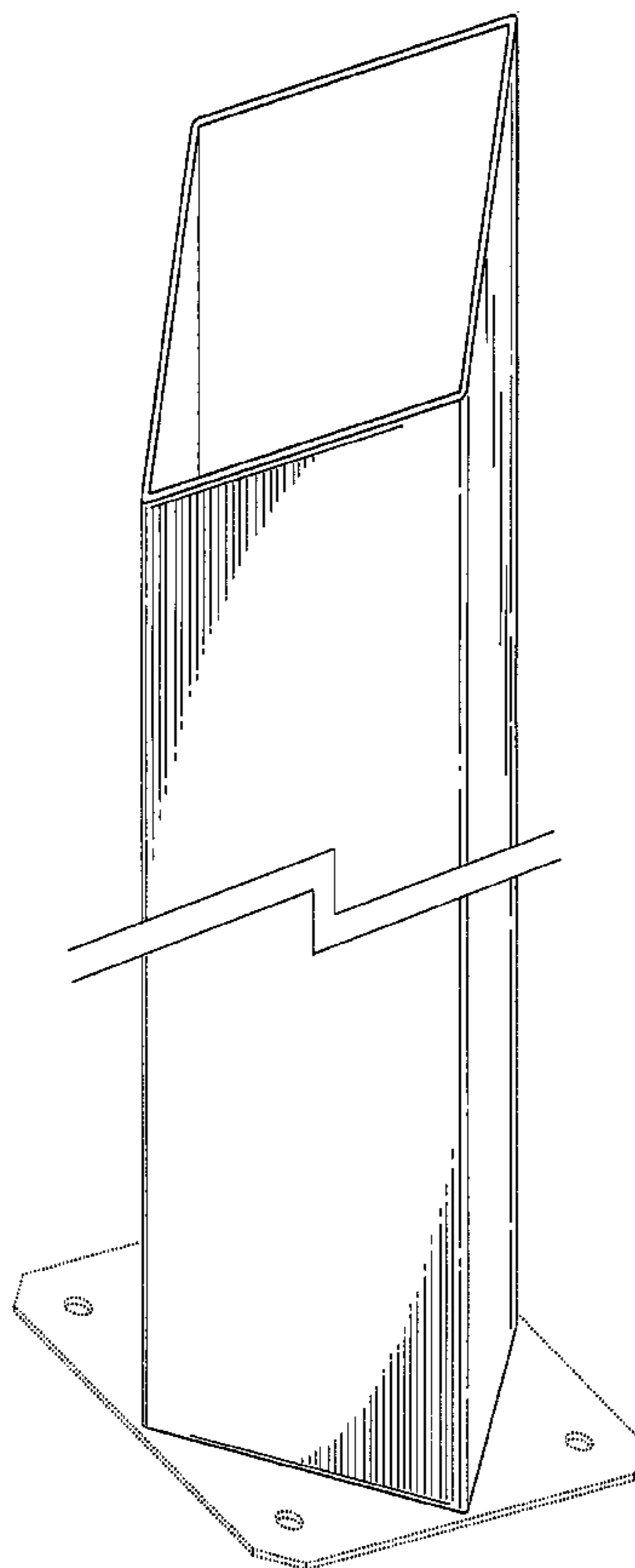
The portions of the vehicle exhaust conduit shown in dotted lines do not constitute a part of the claimed design.

**1 Claim, 5 Drawing Sheets**

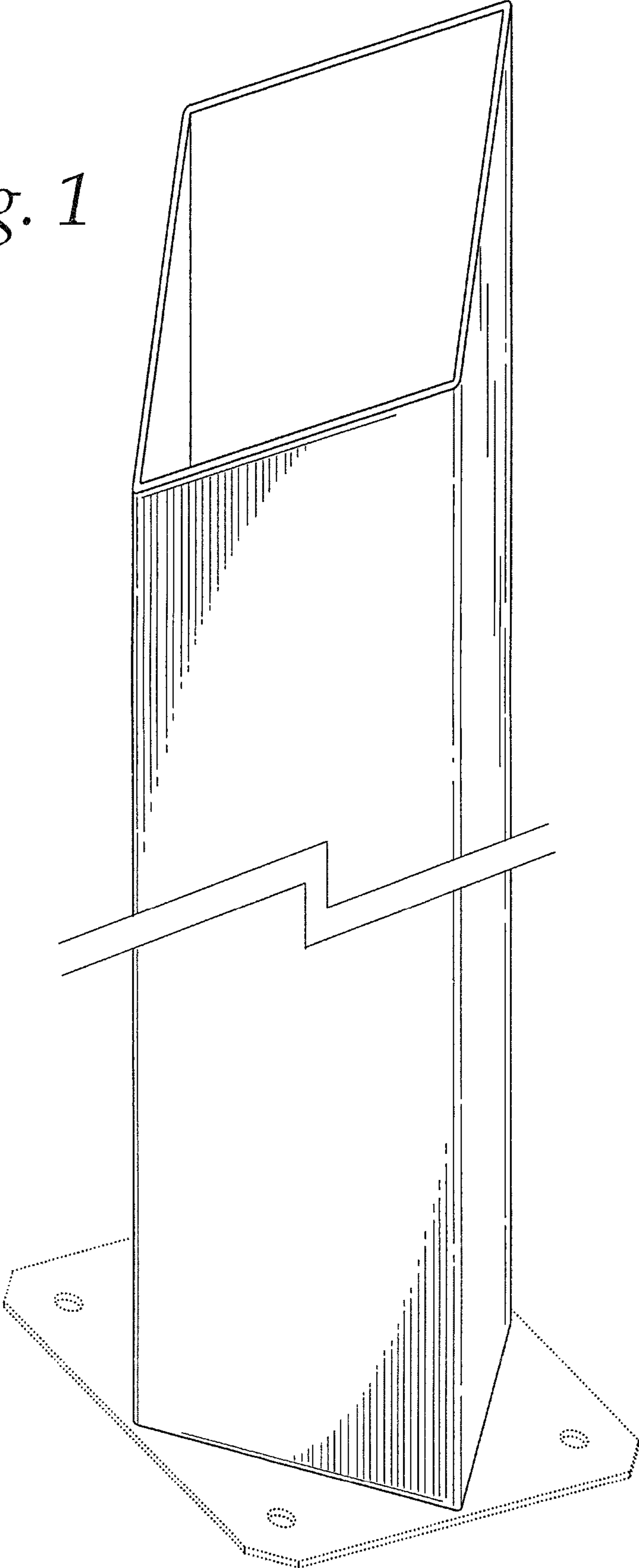
(56) **References Cited**

U.S. PATENT DOCUMENTS

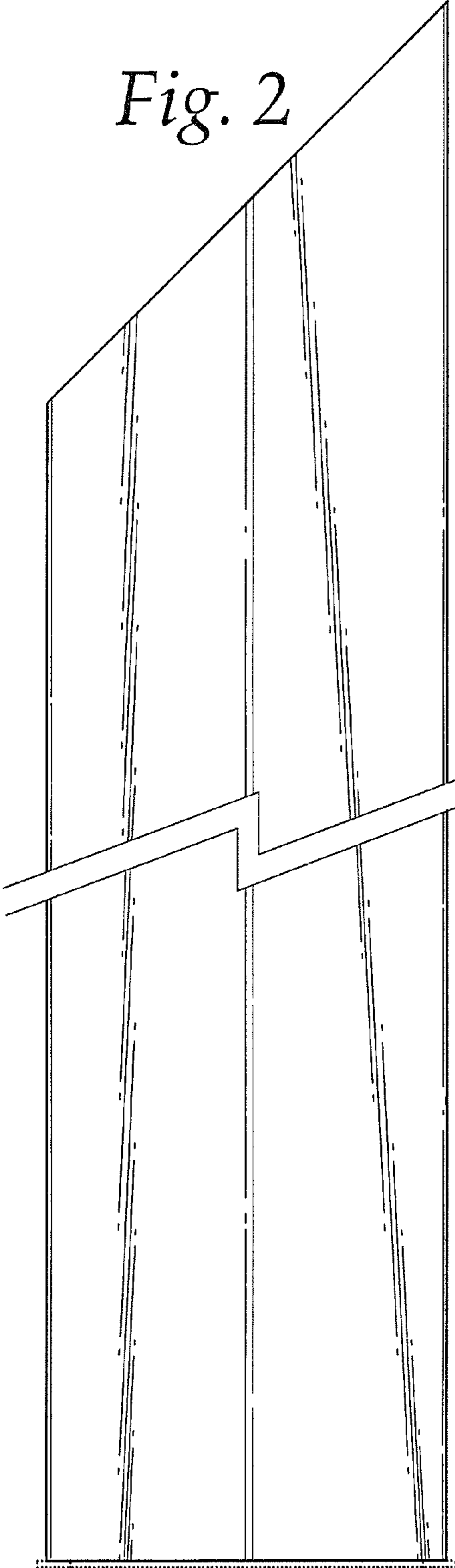
- 3,208,914 A \* 9/1965 Dickson ..... 376/262
- 3,907,057 A \* 9/1975 Reddekopp ..... 180/89.2
- D282,608 S \* 2/1986 Crowe ..... D6/337
- 5,472,401 A \* 12/1995 Rouillard et al. .... 482/142
- 5,720,817 A \* 2/1998 Taylor ..... 118/500
- 6,637,537 B2 \* 10/2003 Porter et al. .... 180/309
- 6,799,423 B2 \* 10/2004 Piekarski ..... 60/313
- D505,812 S \* 6/2005 McBrayer et al. .... D6/495
- D539,893 S \* 4/2007 Badick ..... D23/371



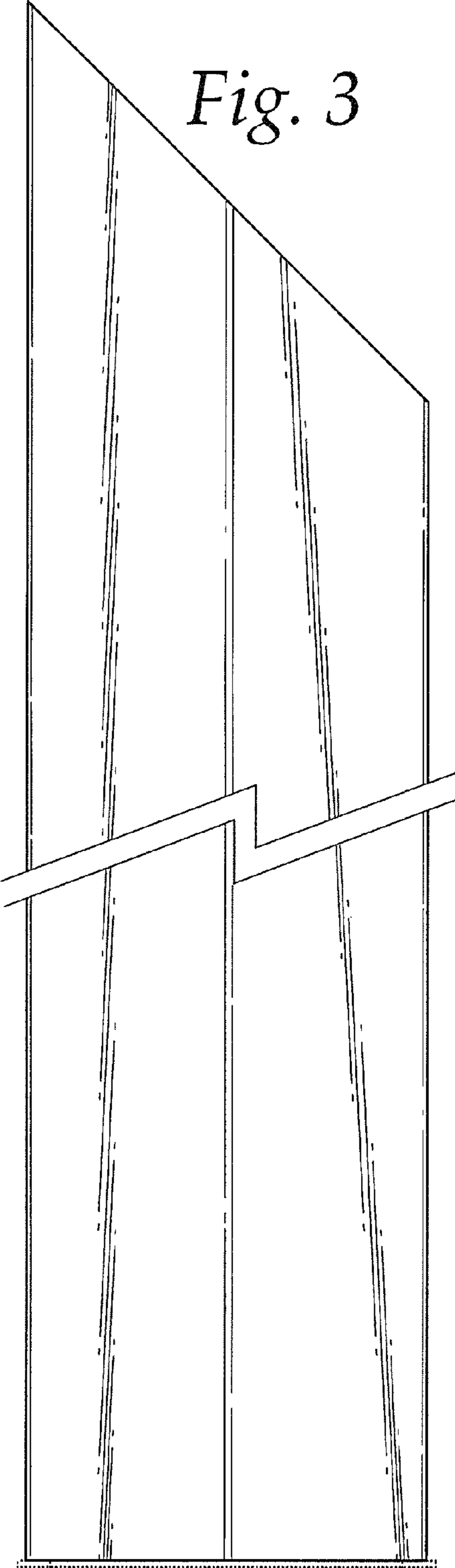
*Fig. 1*



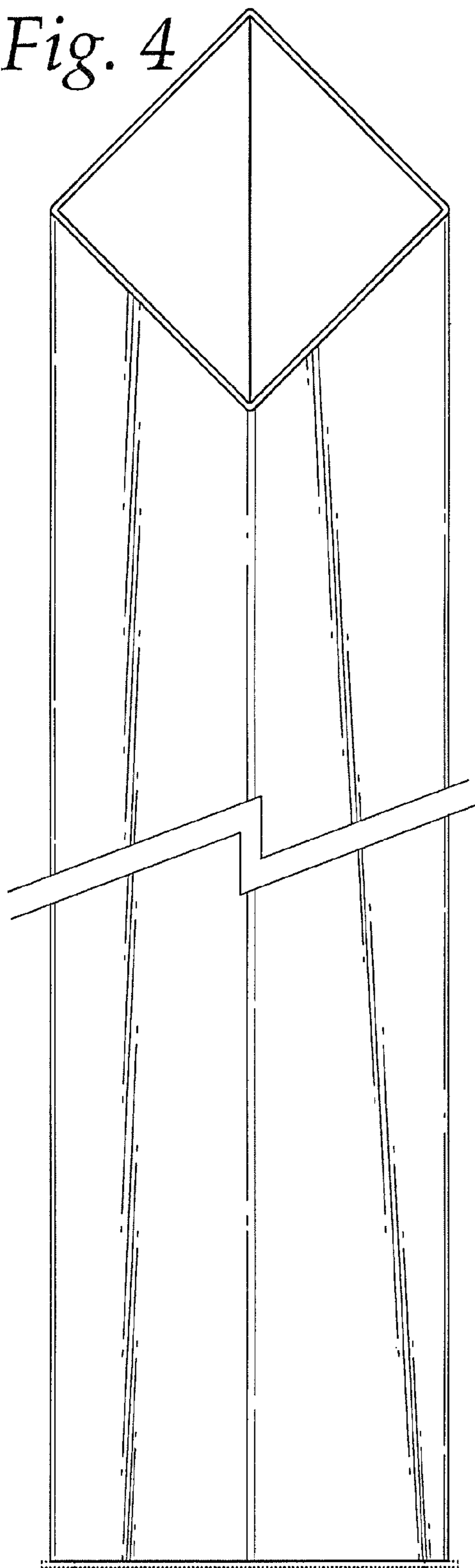
*Fig. 2*



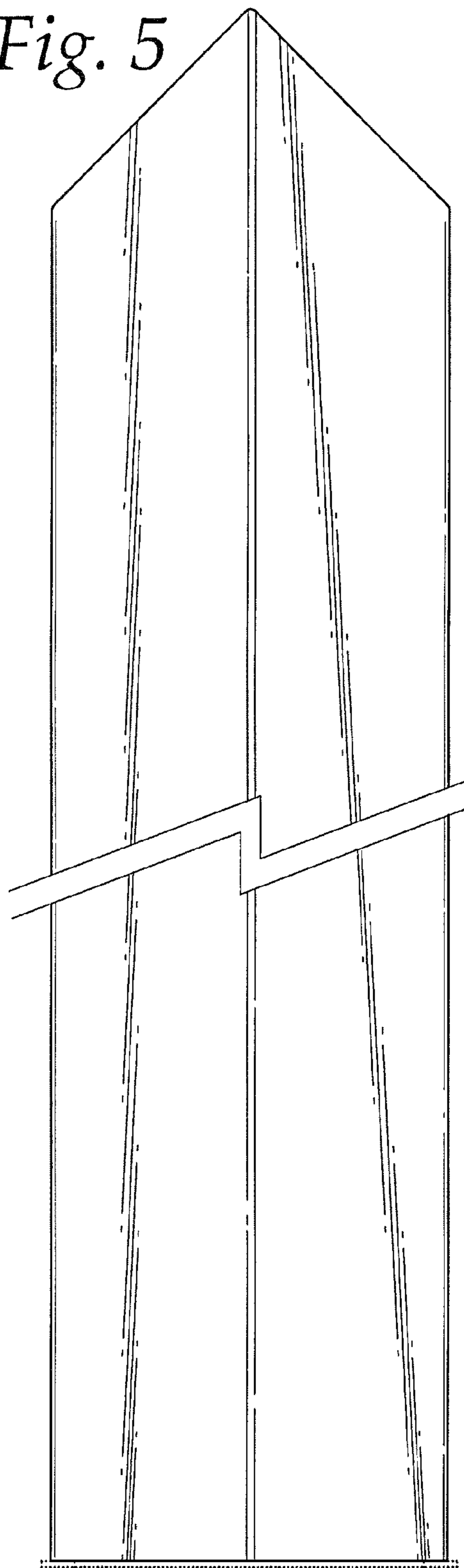
*Fig. 3*

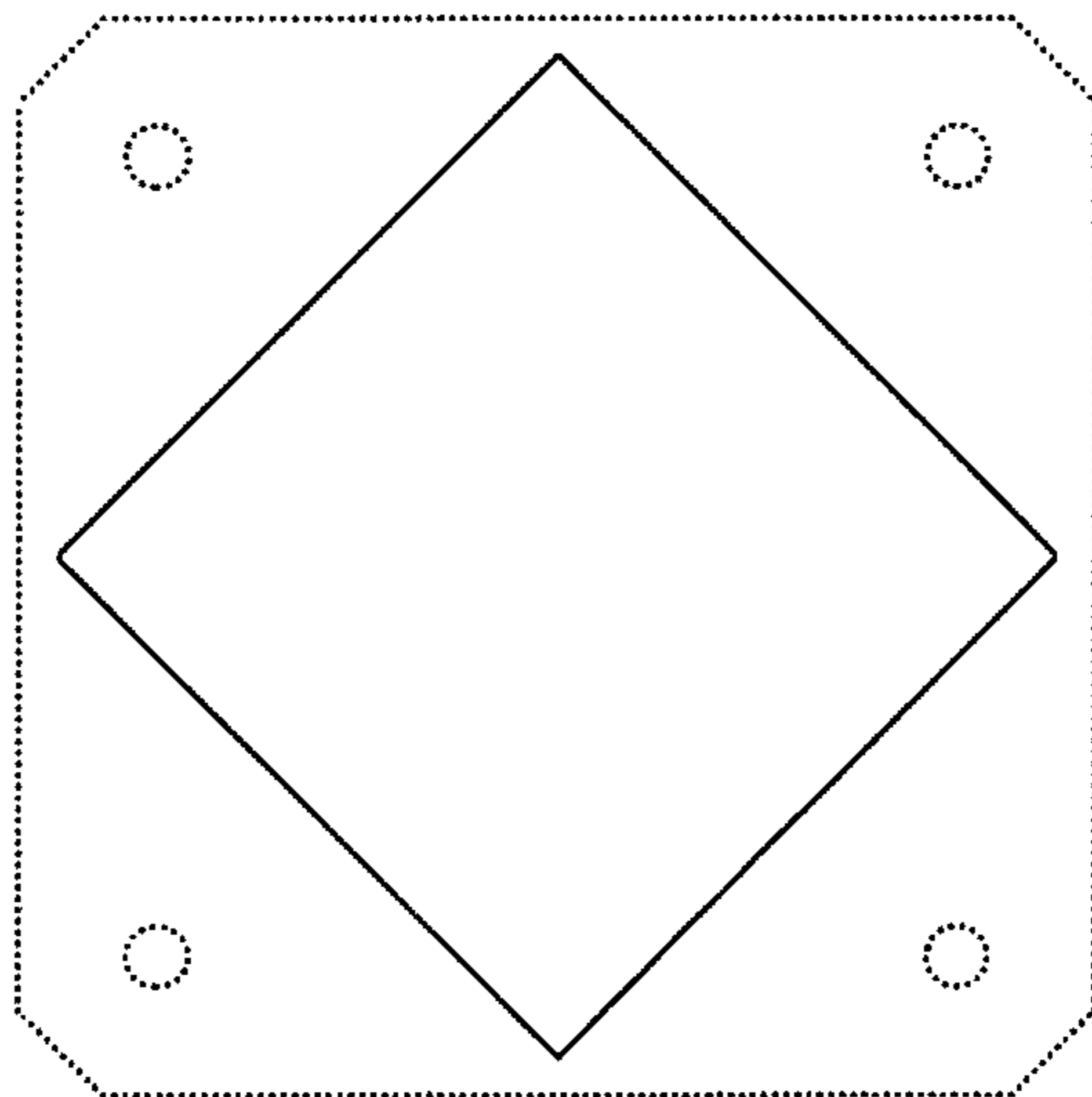


*Fig. 4*

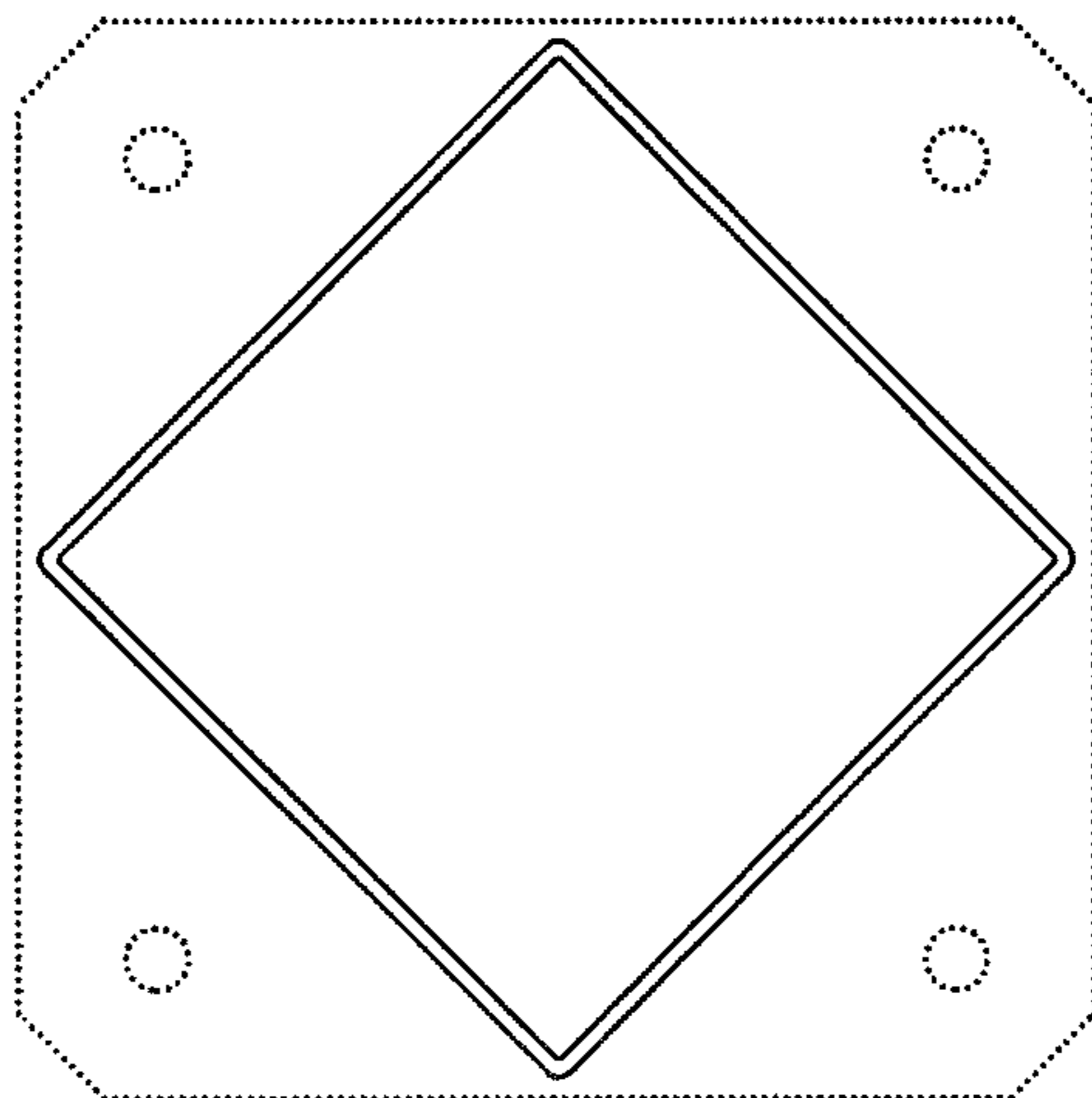


*Fig. 5*





*Fig. 7*



*Fig. 6*

*Fig. 8*

