



US00D680478S

(12) **United States Design Patent**
Munakata et al.

(10) **Patent No.:** **US D680,478 S**
(45) **Date of Patent:** **** Apr. 23, 2013**

(54) **FRONT BUMPER FOR AUTOMOBILE**

D640,614 S * 6/2011 Kumai et al. D12/169
D640,958 S * 7/2011 Yokoi et al. D12/169
D661,232 S * 6/2012 Okumoto et al. D12/169

(75) Inventors: **Kenichi Munakata**, Tokyo (JP);
Yasuhiro Tani, Kanagawa (JP); **Kazuki Yamazaki**, Kanagawa (JP)

* cited by examiner

(73) Assignee: **Nissan Motor Co., Ltd.**, Yokohama (JP)

Primary Examiner — Melody Brown

(74) *Attorney, Agent, or Firm* — Global IP Counselors, LLP

(**) Term: **14 Years**

(57) **CLAIM**

(21) Appl. No.: **29/411,320**

The ornamental design for a front bumper for an automobile, as shown and described.

(22) Filed: **Jan. 19, 2012**

DESCRIPTION

(51) **LOC (9) Cl.** **12-16**

(52) **U.S. Cl.**

USPC **D12/169**

(58) **Field of Classification Search** D12/169,

D12/196, 171, 216, 163, 86, 90–92; 293/102,

293/113, 115, 117, 120; 296/180.1, 180.2

See application file for complete search history.

FIG. 1 is a front elevational view of a front bumper for an automobile showing our new design; FIG. 2 is a top plan view thereof; FIG. 3 is a bottom plan view thereof; FIG. 4 is a right side elevational view thereof; FIG. 5 is a left side elevational view thereof; FIG. 6 is a top, front and left side perspective view thereof; and, FIG. 7 is a bottom, front and right side perspective view thereof.

(56) **References Cited**

U.S. PATENT DOCUMENTS

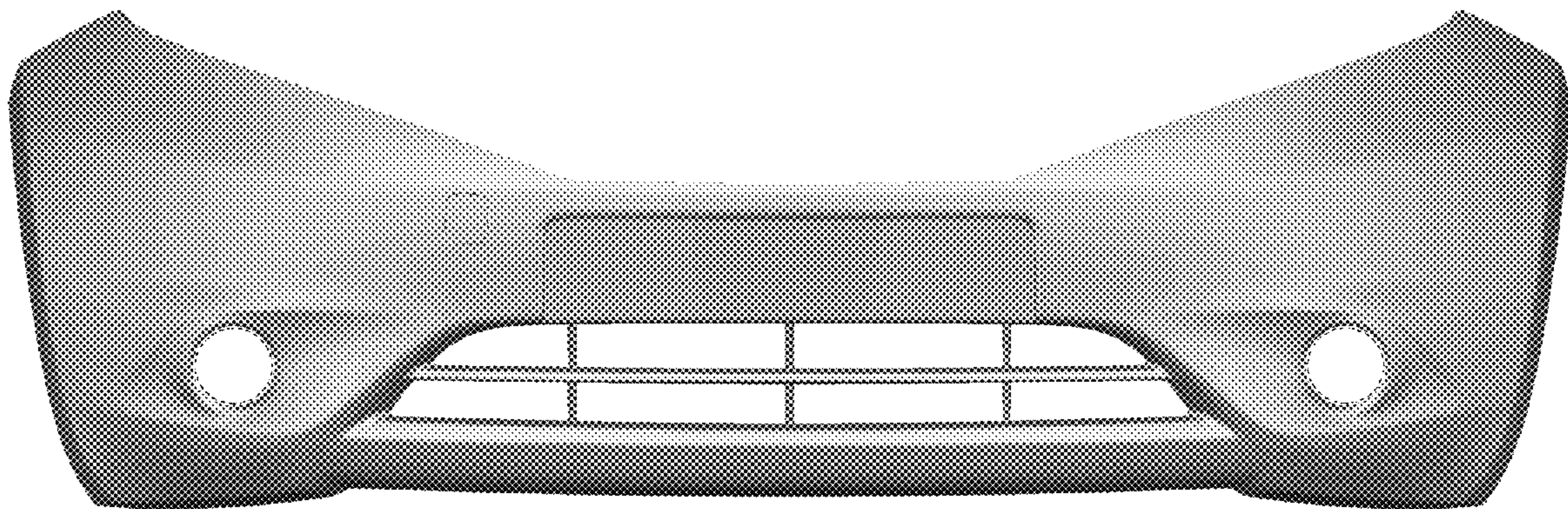
D517,457 S	3/2006	Horiuchi et al.	
D584,201 S	* 1/2009	Kamimura	D12/169
D600,175 S	* 9/2009	Yamazaki et al.	D12/169
D615,465 S	* 5/2010	Fujiwara et al.	D12/169
D615,913 S	* 5/2010	Akasawa et al.	D12/169
D620,850 S	* 8/2010	Sakae et al.	D12/169
D626,041 S	* 10/2010	Yamazaki et al.	D12/169
D627,277 S	* 11/2010	Cogswell	D12/169
D630,980 S	* 1/2011	Sperling et al.	D12/169
D634,680 S	* 3/2011	Iida	D12/169
D634,681 S	* 3/2011	Hirabayashi	D12/169

The rear view of the front bumper forms no part of the claimed design.

The appearance of the rear side of the front bumper as seen in FIGS. 2, 3, 6 and 7 forms no part of the claimed design.

The broken line showing in FIGS. 1 and 3-7 is for purpose of illustrating environmental structure and forms no part of the claimed design.

1 Claim, 7 Drawing Sheets



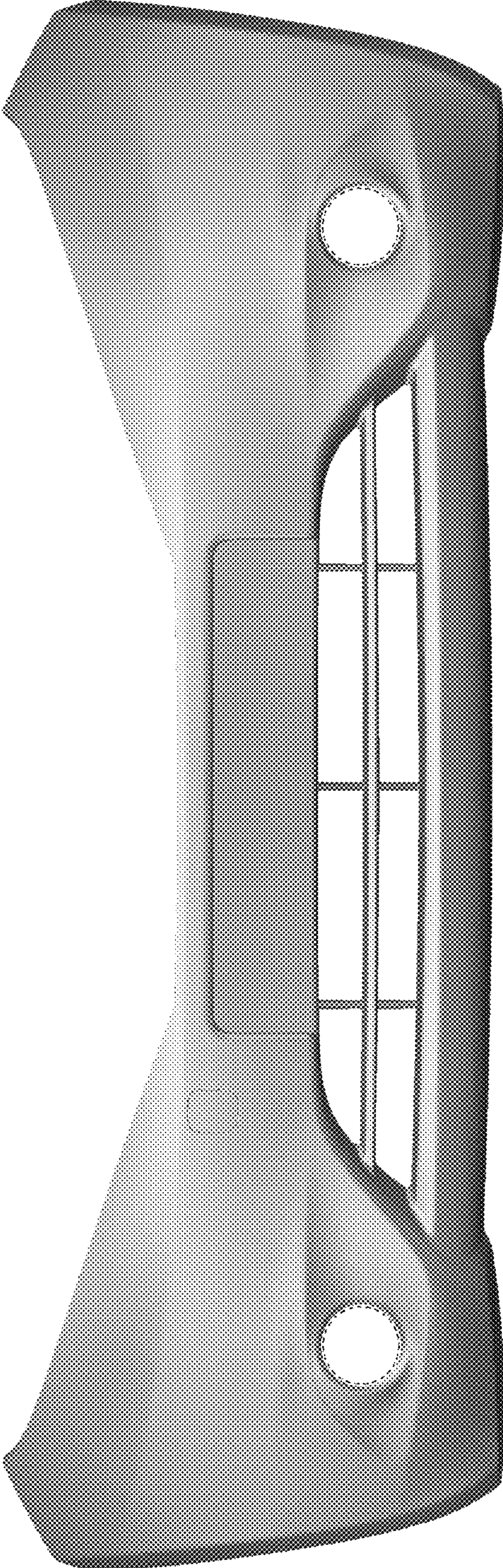


FIG. 1

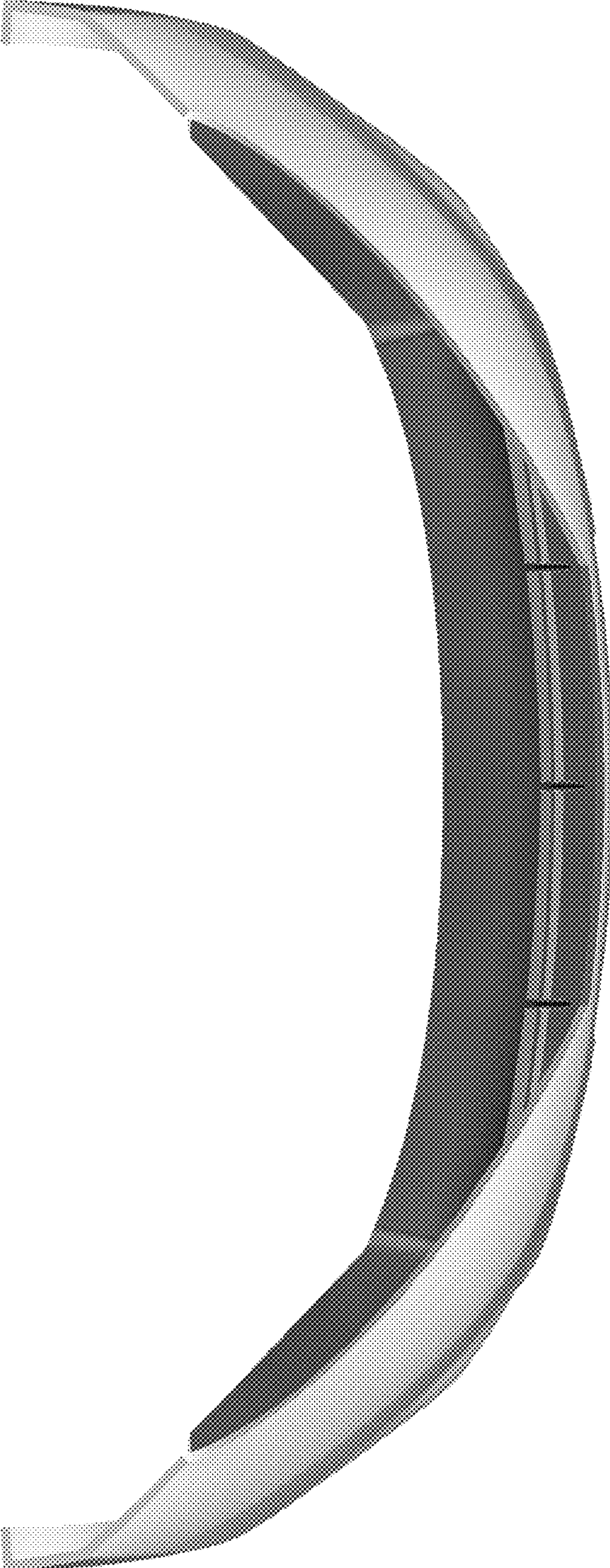


FIG. 2

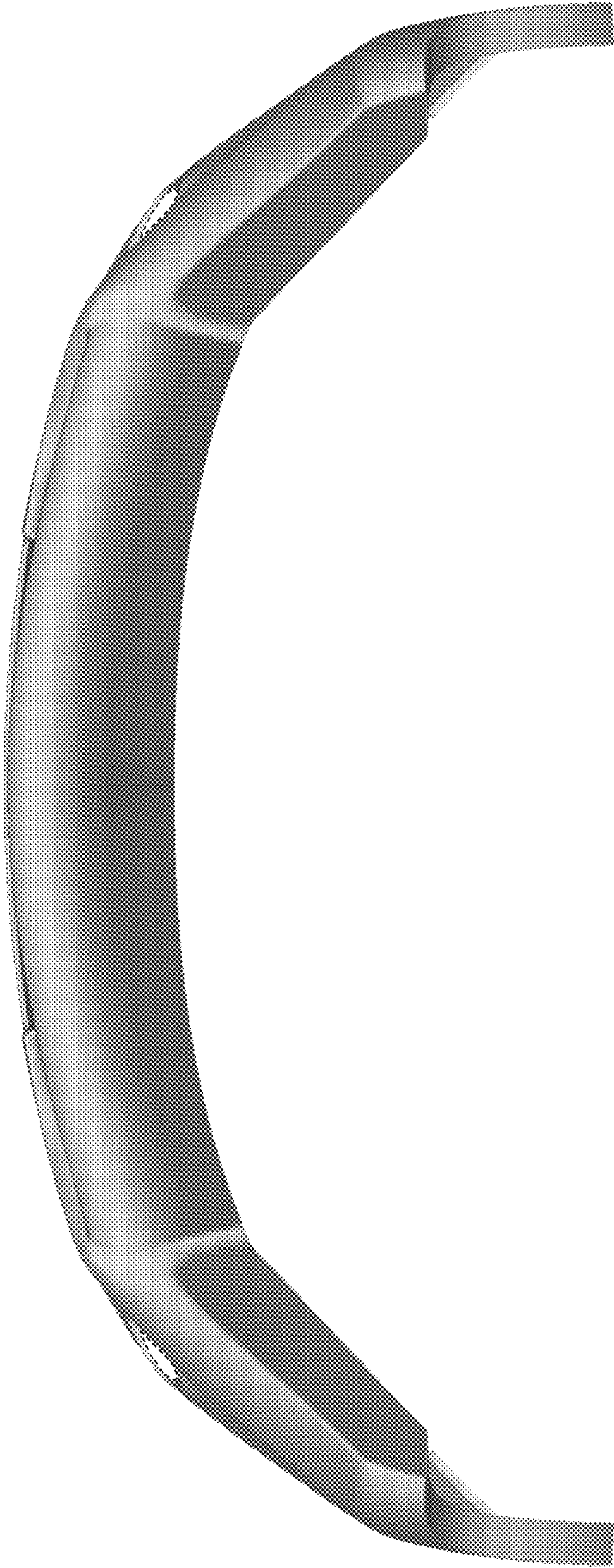


FIG. 3

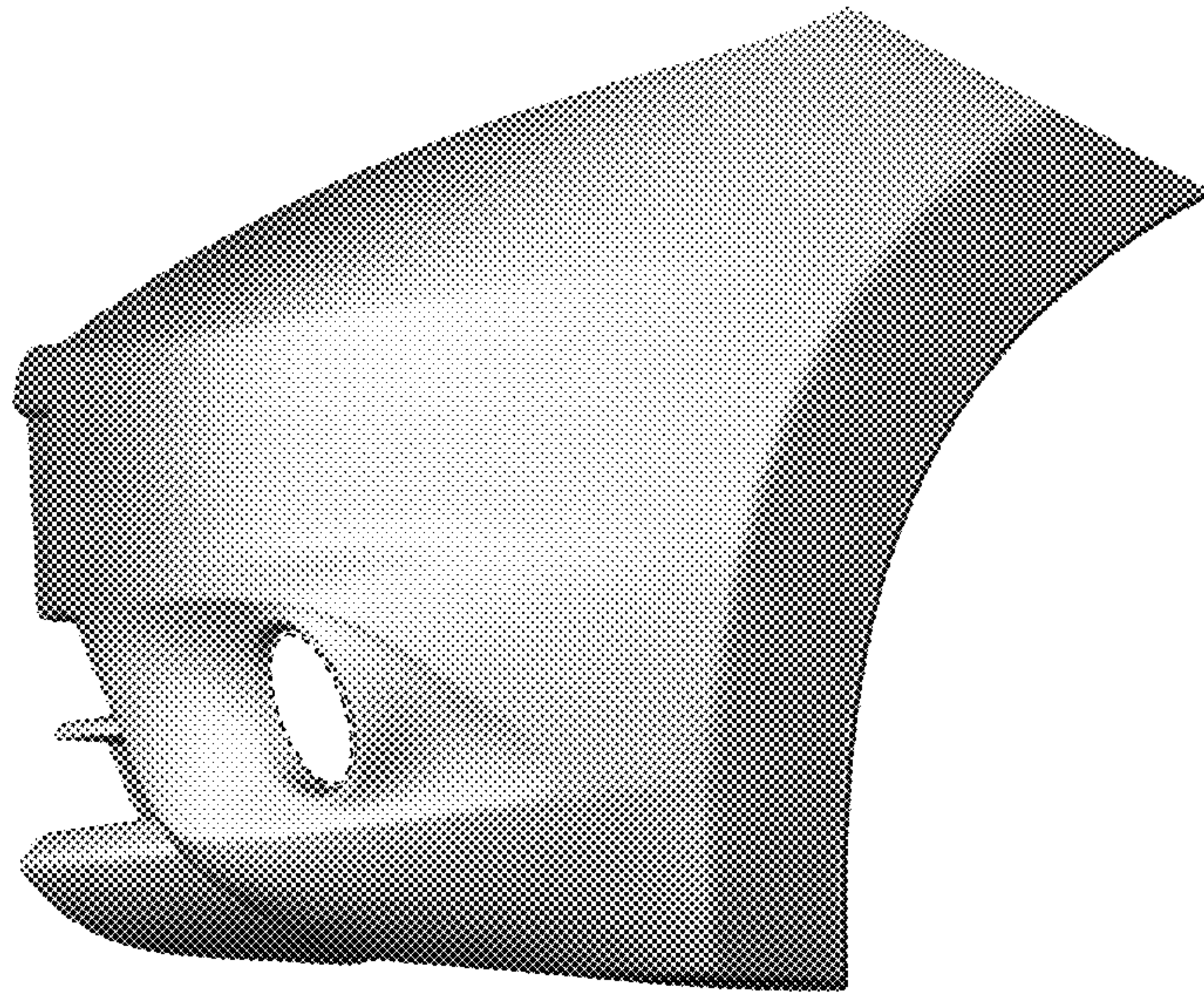


FIG. 4

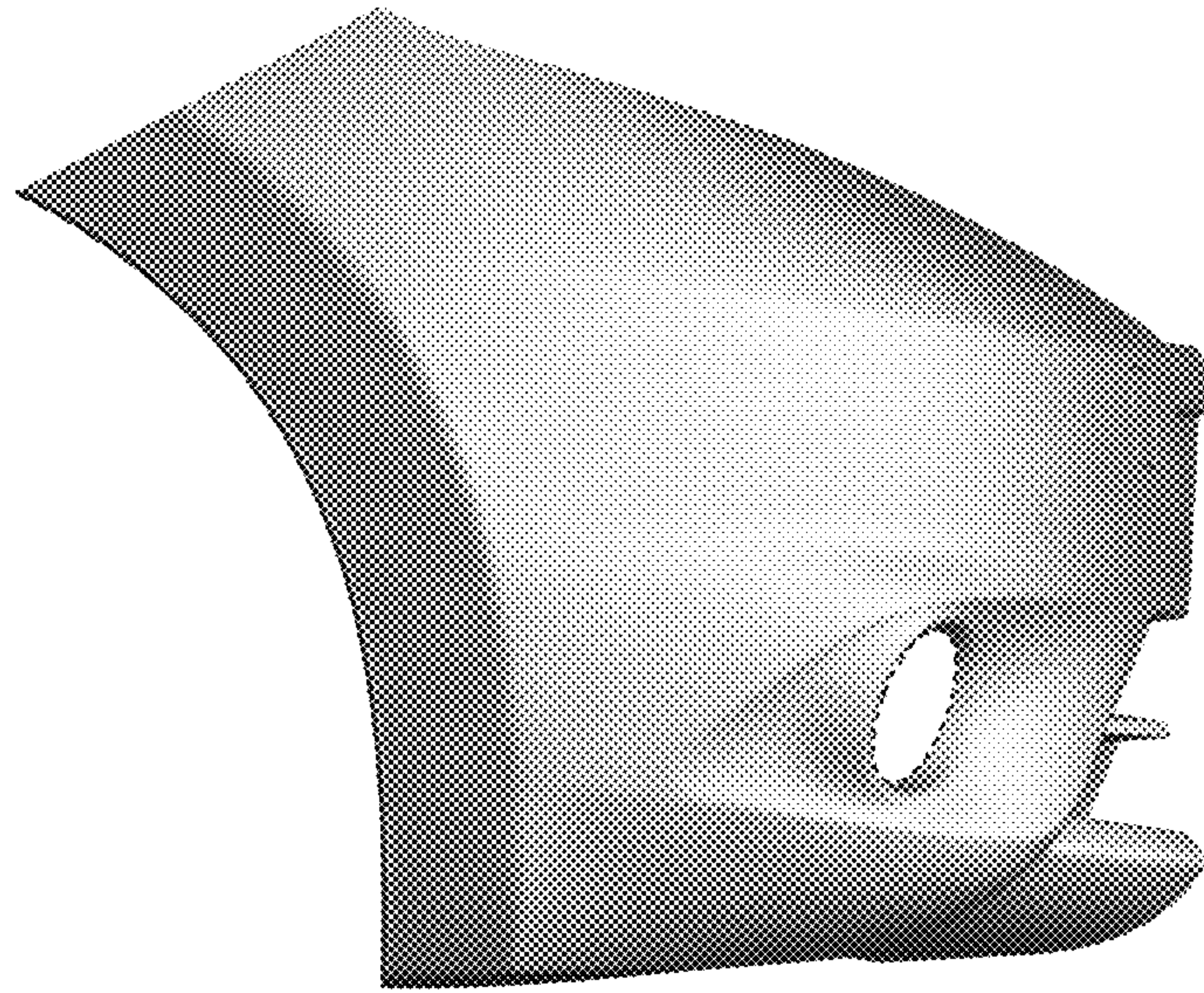


FIG. 5

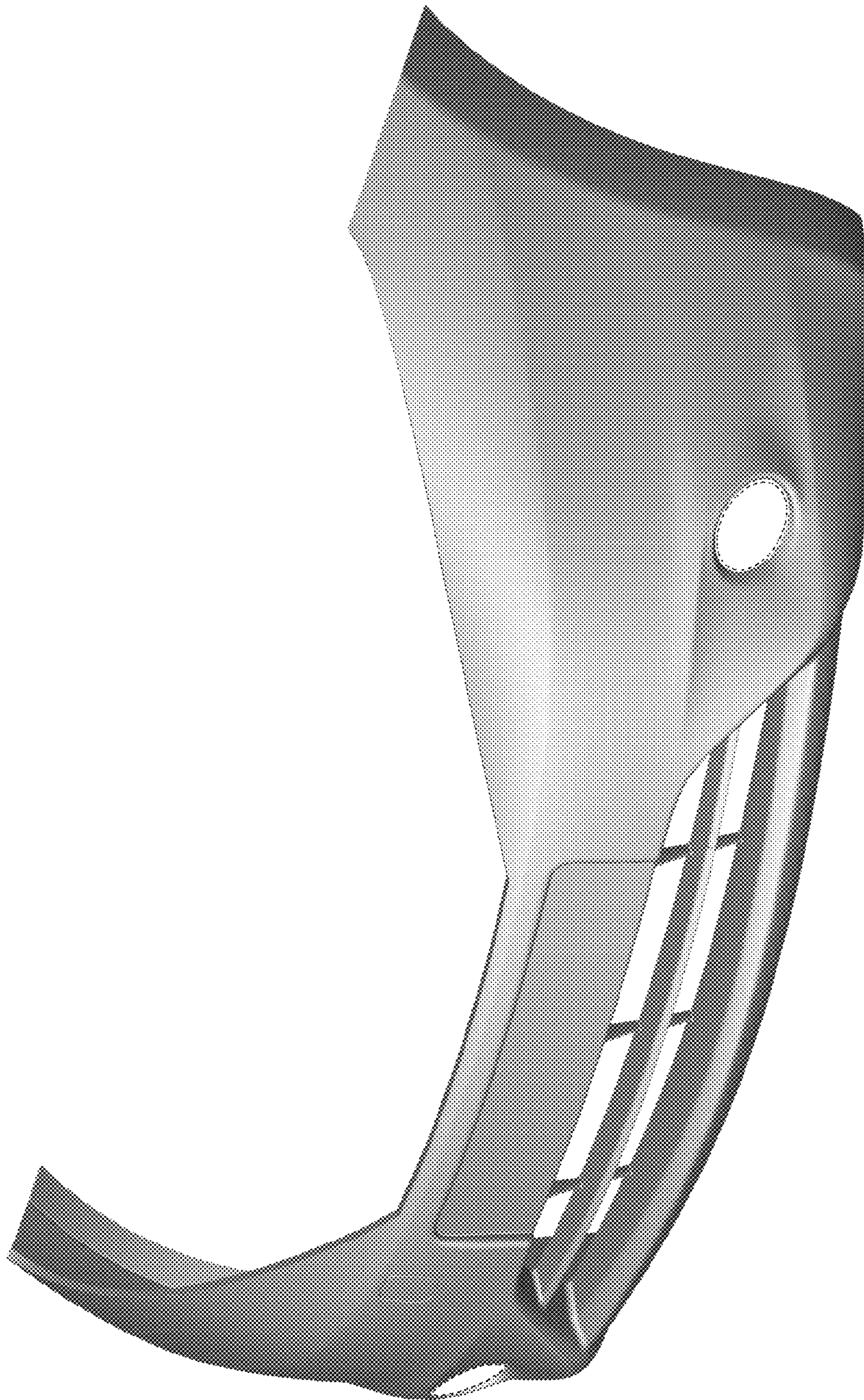


FIG. 6

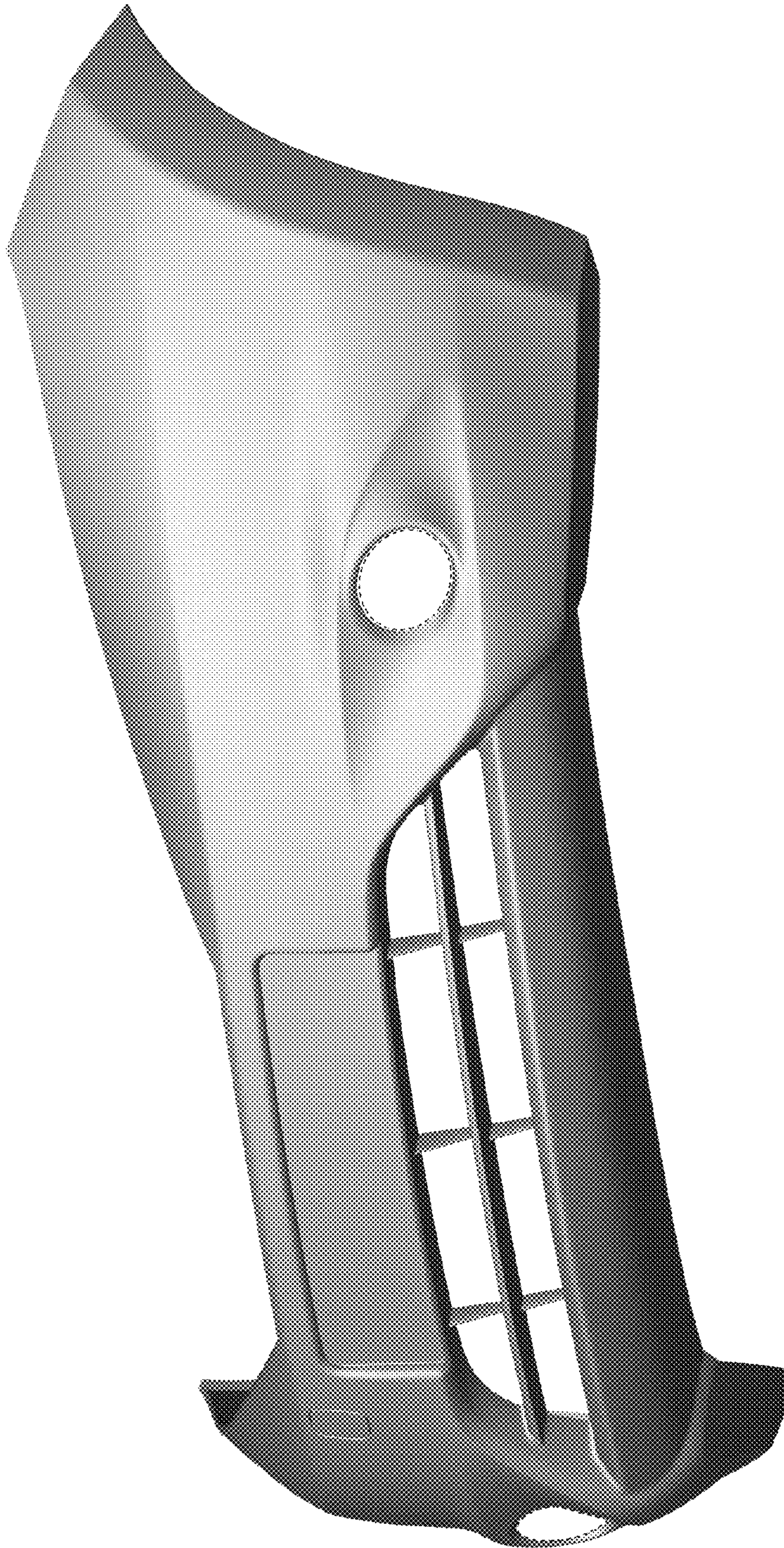


FIG. 7