



US00D680475S

(12) **United States Design Patent**
Scheinhütte

(10) **Patent No.:** **US D680,475 S**
(45) **Date of Patent:** **** Apr. 23, 2013**

(54) **REAR BUMPER FOR MOTOR VEHICLE**

(75) Inventor: **Ingo Scheinhütte**, Eberdingen (DE)

(73) Assignee: **Dr. Ing. h.c. F. Porsche**
Aktiengesellschaft, Stuttgart (DE)

(**) Term: **14 Years**

(21) Appl. No.: **29/403,293**

(22) Filed: **Oct. 4, 2011**

(30) **Foreign Application Priority Data**

Apr. 4, 2011 (DE) 402011002564

(51) **LOC (9) Cl.** **12-16**

(52) **U.S. Cl.**
USPC **D12/169**

(58) **Field of Classification Search** D12/163,
D12/171, 196, 216, 90-92, 86, 164, 169;
293/102, 103, 105, 112, 113, 115, 117; 296/180.1,
296/180.2

See application file for complete search history.

(56) **References Cited**

U.S. PATENT DOCUMENTS

D576,928 S *	9/2008	Miyazaki	D12/169
D578,447 S *	10/2008	Sawai	D12/169
D583,723 S *	12/2008	Murakami	D12/169
D583,730 S *	12/2008	Tonello	D12/169
D584,202 S *	1/2009	Sonoda et al.	D12/169
D585,797 S *	2/2009	Suzuki et al.	D12/169
D586,271 S *	2/2009	Futschik et al.	D12/169
D610,500 S *	2/2010	Kulla et al.	D12/169
D620,404 S *	7/2010	Ward	D12/169
D627,275 S *	11/2010	Sakae et al.	D12/169
D628,943 S *	12/2010	Lee	D12/169
D640,616 S *	6/2011	Schell et al.	D12/169
D647,437 S *	10/2011	Varga	D12/169
D647,831 S *	11/2011	Murakawa et al.	D12/169

D651,143 S *	12/2011	Murakawa et al.	D12/169
D659,603 S *	5/2012	Varga	D12/169
D659,605 S *	5/2012	Varga	D12/169

FOREIGN PATENT DOCUMENTS

DE	402010001643.2	5/2010
DE	402010001841.9	5/2010
DE	402010004058.9	9/2010

OTHER PUBLICATIONS

U.S. Appl. No. 29/369,500, filed Sep. 9, 2010, Varga—Unpublished.
U.S. Appl. No. 29/375,246, filed Sep. 20, 2010, Varga—Unpublished.
U.S. Appl. No. 29/383,969, filed Jan. 25, 2011, Robinson—Unpublished.
U.S. Appl. No. 29/399,958, filed Aug. 22, 2011, Varga—Unpublished.
U.S. Appl. No. 29/403,291, filed Oct. 4, 2011, Robinson—Unpublished.

(Continued)

Primary Examiner — Melody N Brown
(74) *Attorney, Agent, or Firm* — RatnerPrestia

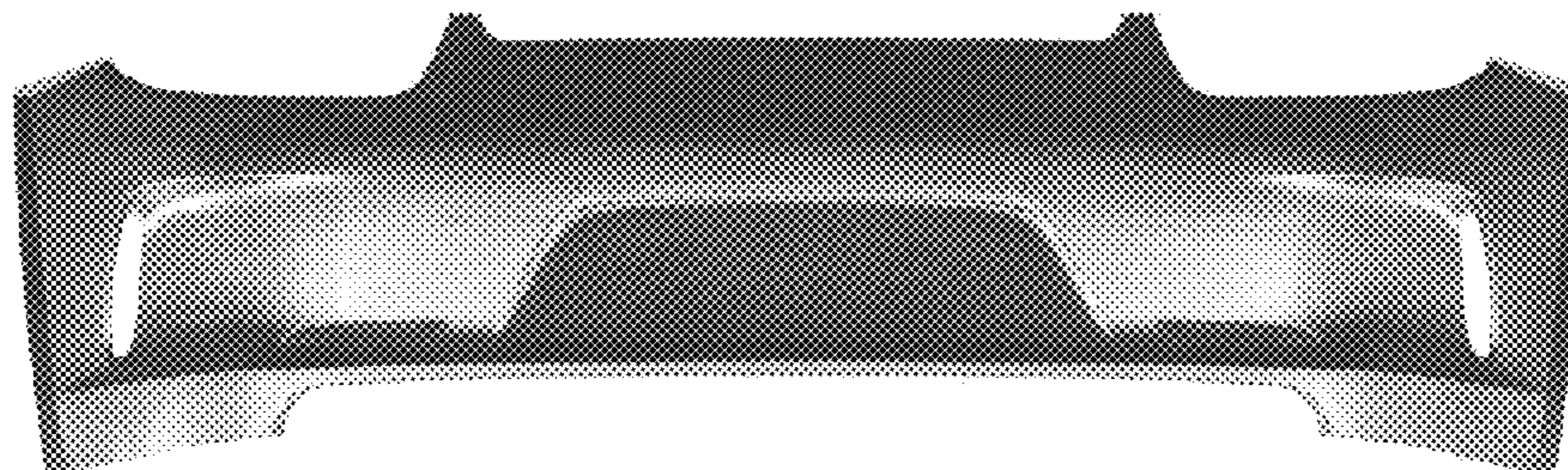
(57) **CLAIM**

The ornamental design for a rear bumper for motor vehicle, as shown and described.

DESCRIPTION

FIG. 1 is a perspective view of a rear bumper for motor vehicle;
FIG. 2 is a rear elevation view thereof;
FIG. 3 is a front elevation view thereof;
FIG. 4 is an elevation view from the left side thereof;
FIG. 5 is an elevation view from the right side thereof;
FIG. 6 is a top plan view thereof; and,
FIG. 7 is a bottom plan view thereof.

1 Claim, 4 Drawing Sheets



OTHER PUBLICATIONS

U.S. Appl. No. 29/403,297, filed Oct. 4, 2011, Scheinhütte et al.—Unpublished.

U.S. Appl. No. 29/406,900, filed Nov. 21, 2011, Borkert—Unpublished.

German Design Application No. DE402011002503.5, filed Feb. 24, 2011, Varga—Unpublished.

German Design Application No. DE402011002559.0, filed Apr. 4, 2011, Robinson—Unpublished.

German Design Application No. DE402011002572.8, filed Apr. 4, 2011, Scheinhütte et al.—Unpublished.

German Design Application No. DE402011004571.0, filed May 26, 2011, Borkert—Unpublished.

* cited by examiner

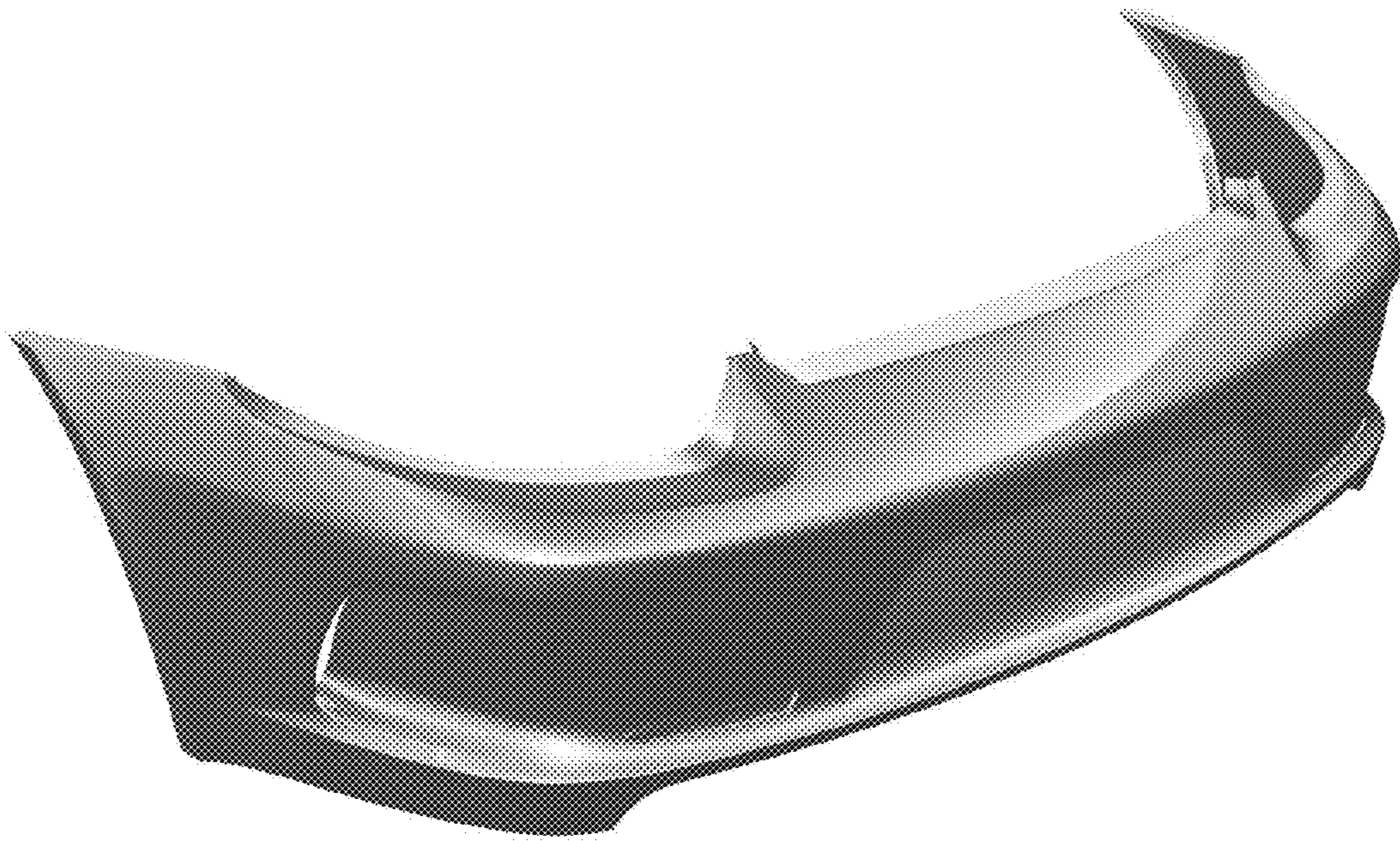


Figure 1

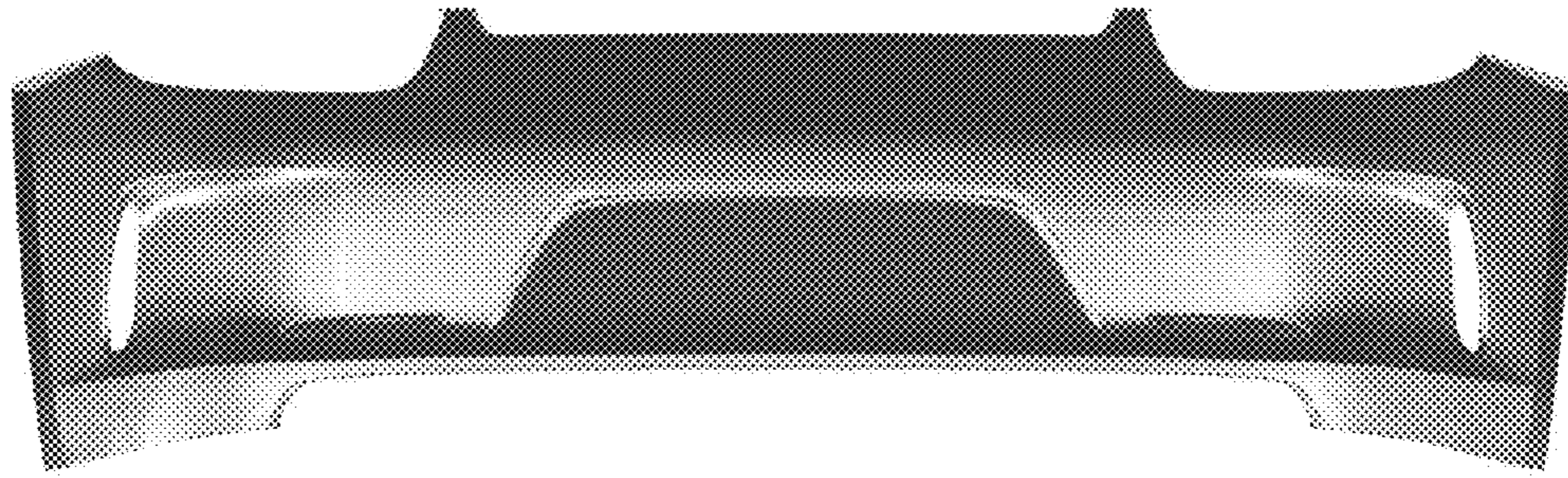


Figure 2

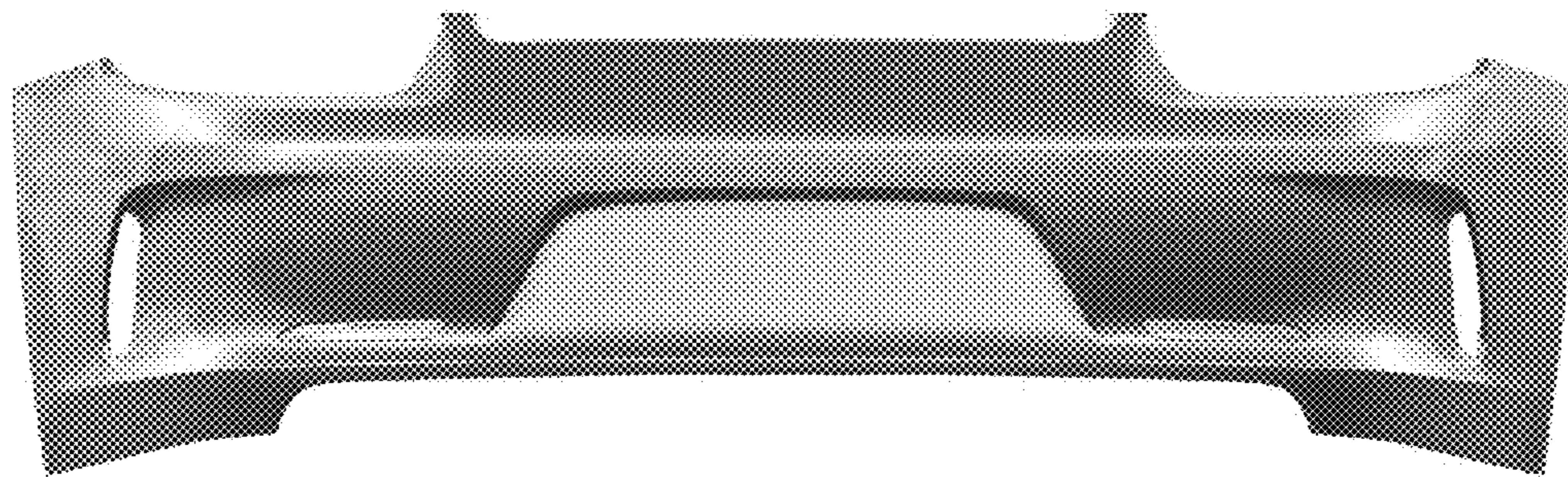


Figure 3

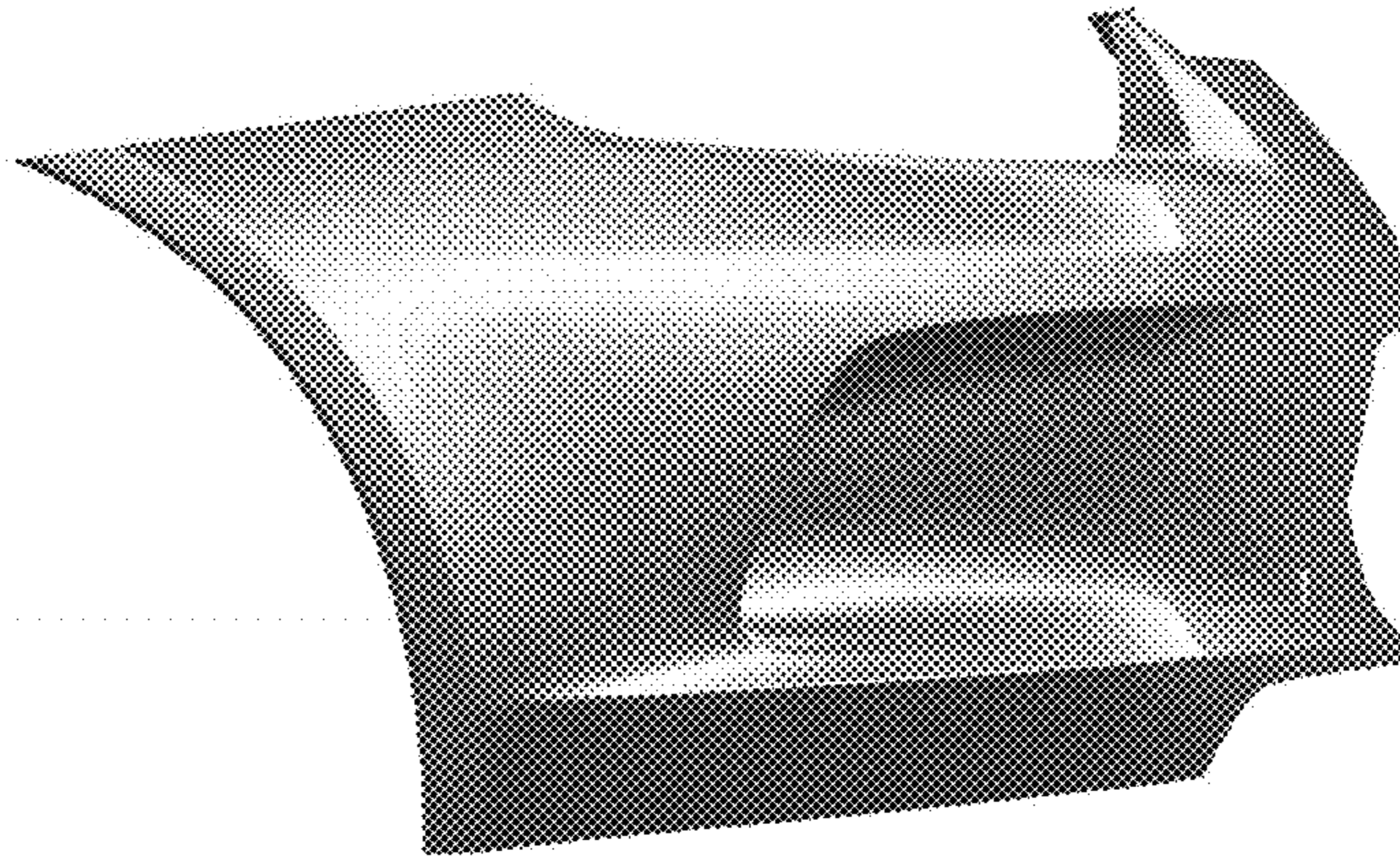


Figure 4

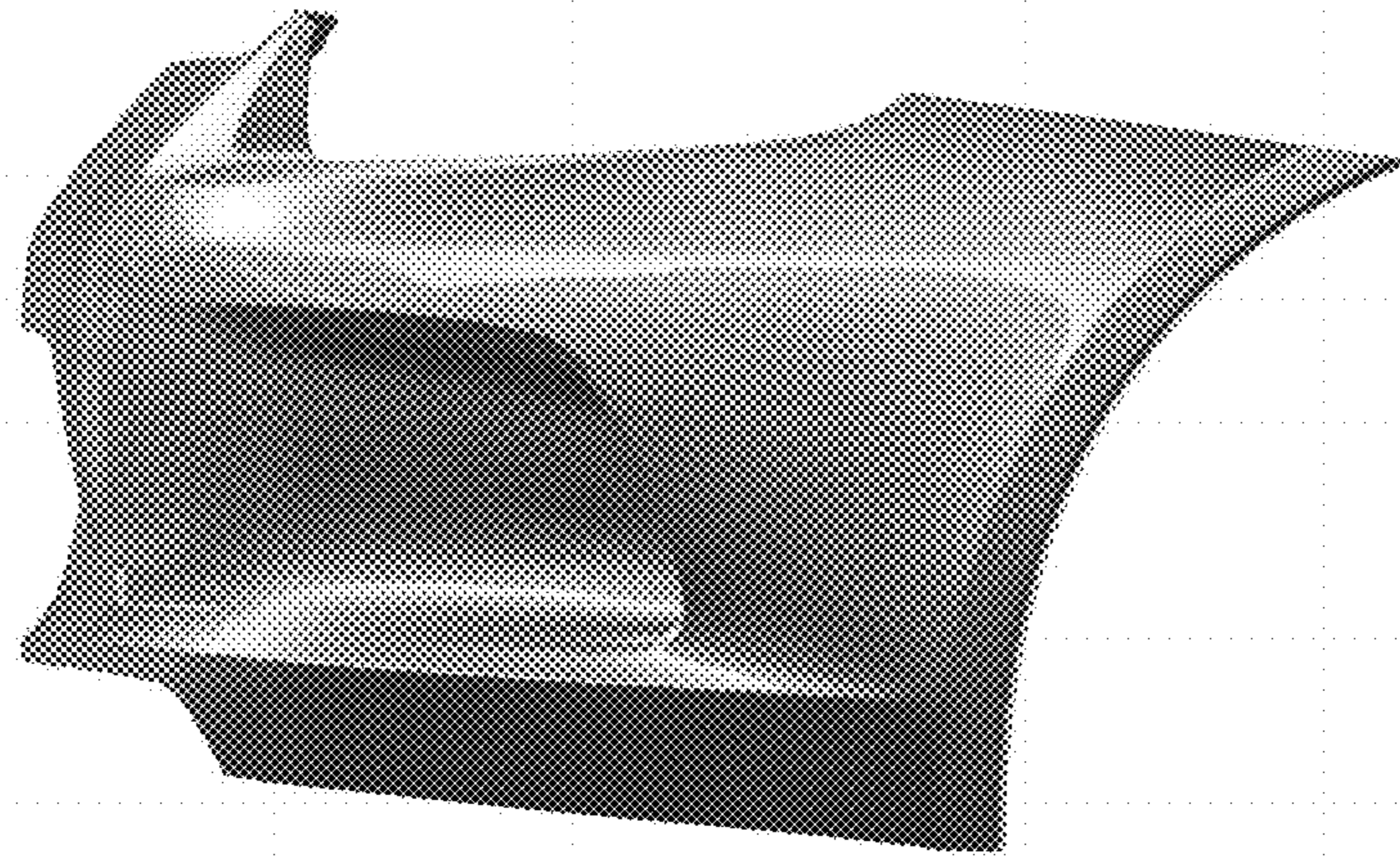


Figure 5

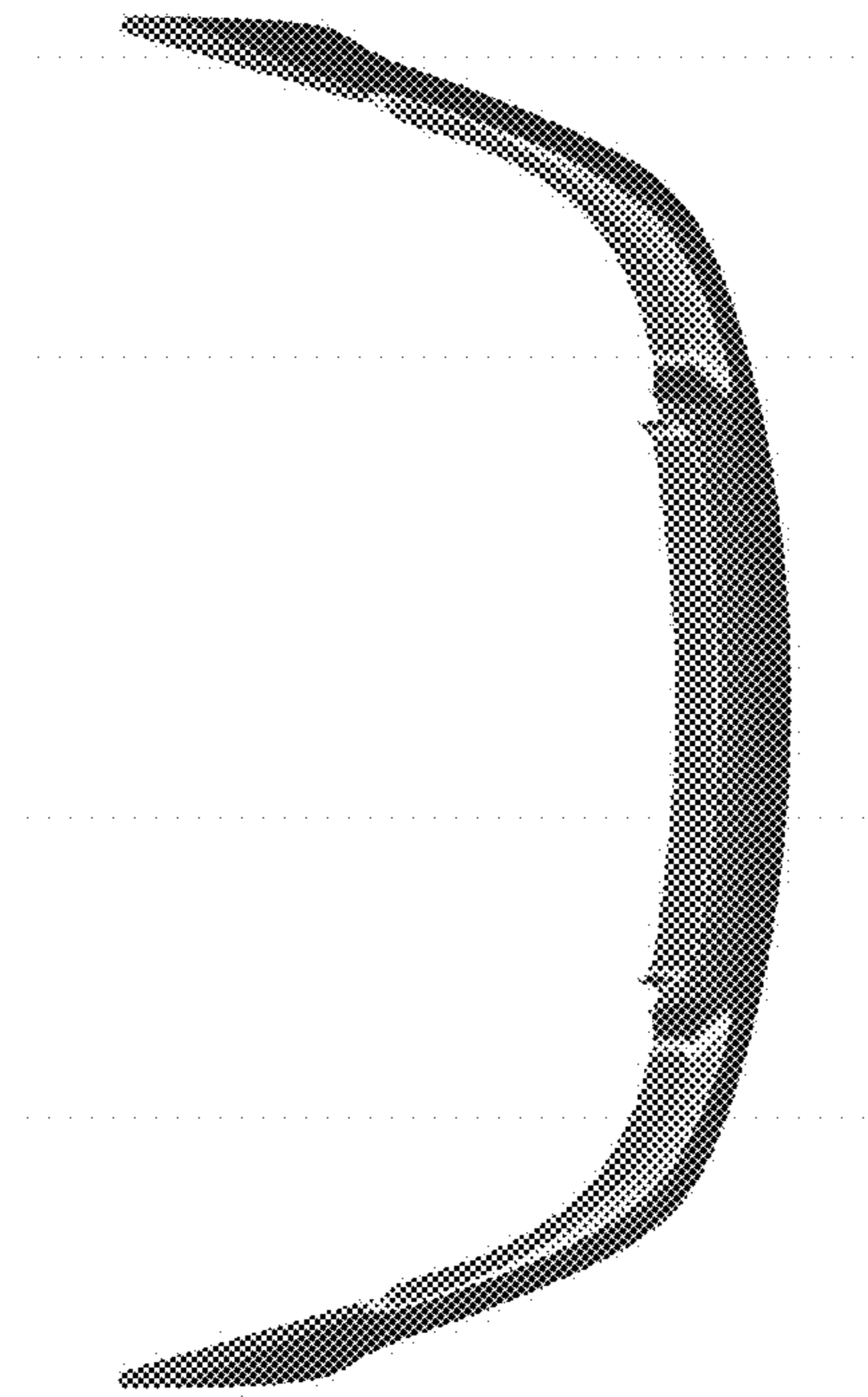


Figure 6

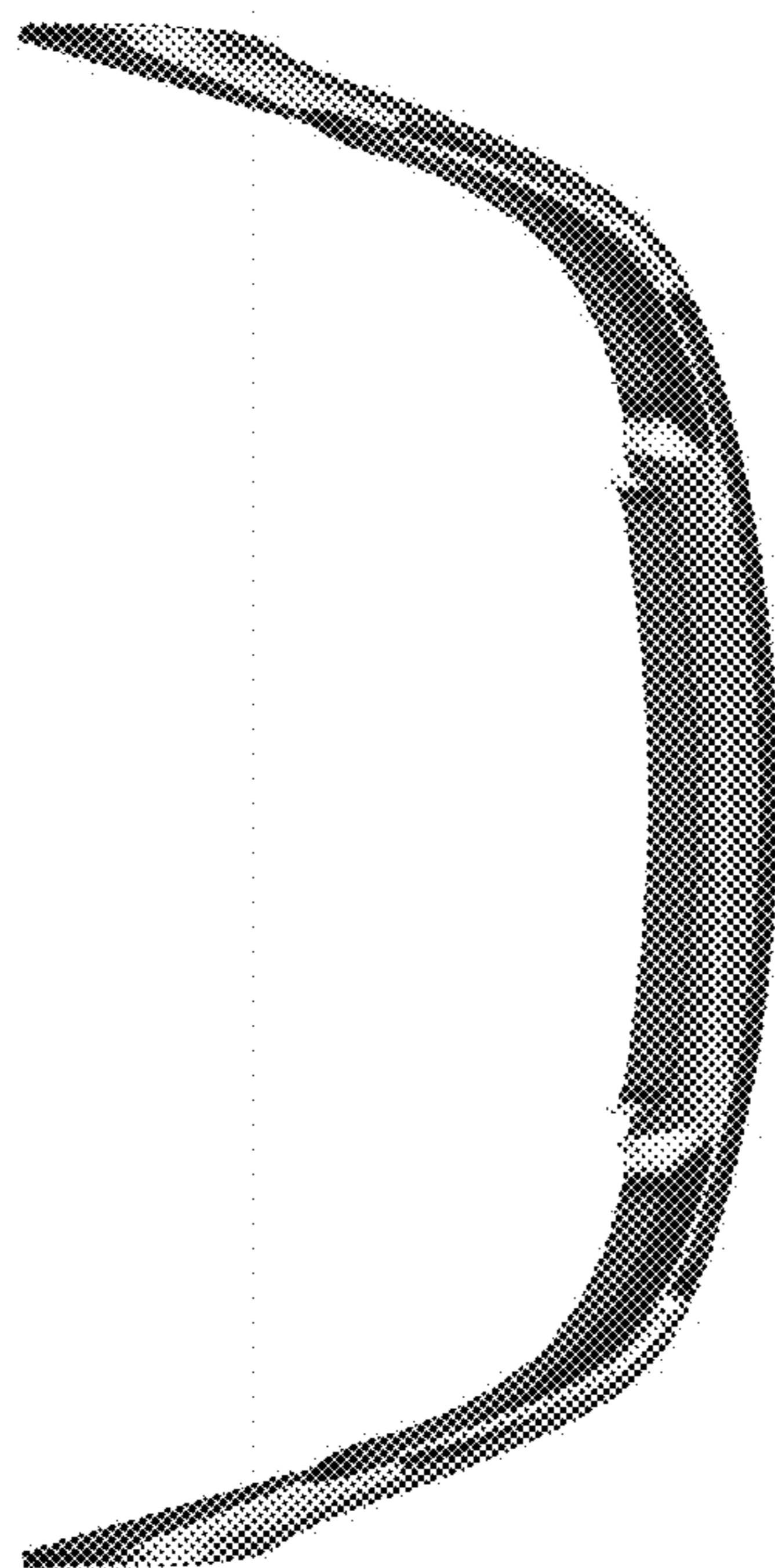


Figure 7