

US00D680469S

(12) **United States Design Patent**
Li et al.

(10) **Patent No.:** **US D680,469 S**
(45) **Date of Patent:** **** Apr. 23, 2013**

(54) **FOUR WHEEL ALL-TERRAIN VEHICLE**

(75) Inventors: **Guanxiang Li**, Chongqing (CN); **Hui Li**, Chongqing (CN)

(73) Assignee: **Chongqing Huansong Industries (Group) Co., Ltd**, Chongqing (CN)

(**) Term: **14 Years**

(21) Appl. No.: **29/420,810**

(22) Filed: **May 14, 2012**

Related U.S. Application Data

(63) Continuation-in-part of application No. 29/381,033, filed on Dec. 14, 2010, now abandoned.

(51) **LOC (9) Cl.** **12-11**

(52) **U.S. Cl.**
USPC **D12/107**

(58) **Field of Classification Search** D12/107,
D12/3, 86, 87, 110; 180/223, 225, 229, 233,
180/311, 312, 315

See application file for complete search history.

(56) **References Cited**

U.S. PATENT DOCUMENTS

D492,916 S * 7/2004 Rondeau et al. D12/107
D520,912 S * 5/2006 Knight et al. D12/107
D529,414 S * 10/2006 Wu et al. D12/107

D531,088 S * 10/2006 Lin D12/107
D532,339 S * 11/2006 Hishiki D12/107
D546,246 S * 7/2007 Crepeau et al. D12/107
7,331,418 B2 * 2/2008 Audet 180/312
7,390,046 B2 * 6/2008 Ostroski et al. 296/63
7,743,864 B2 * 6/2010 Tweet 180/89.1
D640,604 S * 6/2011 Lai et al. D12/107
D640,605 S * 6/2011 Lai et al. D12/107
D657,721 S * 4/2012 Miyanishi D12/107

* cited by examiner

Primary Examiner — Susan M Lee

Assistant Examiner — Linda G Brooks

(74) *Attorney, Agent, or Firm* — Locke Lord LLP

(57) **CLAIM**

The ornamental design for a four wheel all-terrain vehicle, as shown.

DESCRIPTION

FIG. 1 is a front-left perspective view of the four wheel all-terrain vehicle showing the new design thereof; FIG. 2 is a rear-left perspective view thereof; FIG. 3 is a rear-right perspective view thereof; FIG. 4 is a left side view thereof; FIG. 5 is a right side view thereof; FIG. 6 is a top view thereof; FIG. 7 is a front view thereof; and, FIG. 8 is a rear view thereof.

1 Claim, 8 Drawing Sheets



FIG. 1



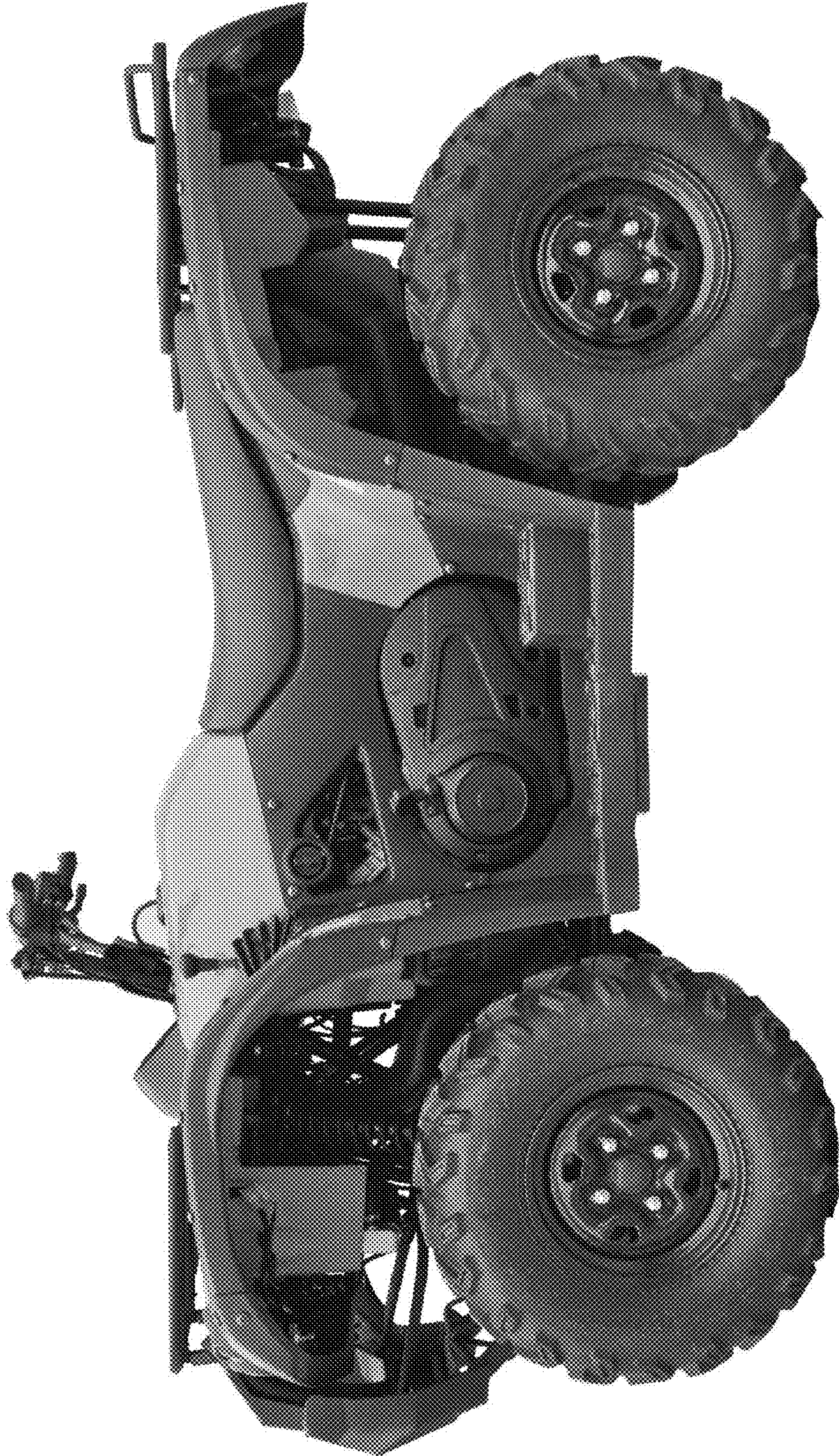
FIG. 2



FIG. 3



FIG. 4



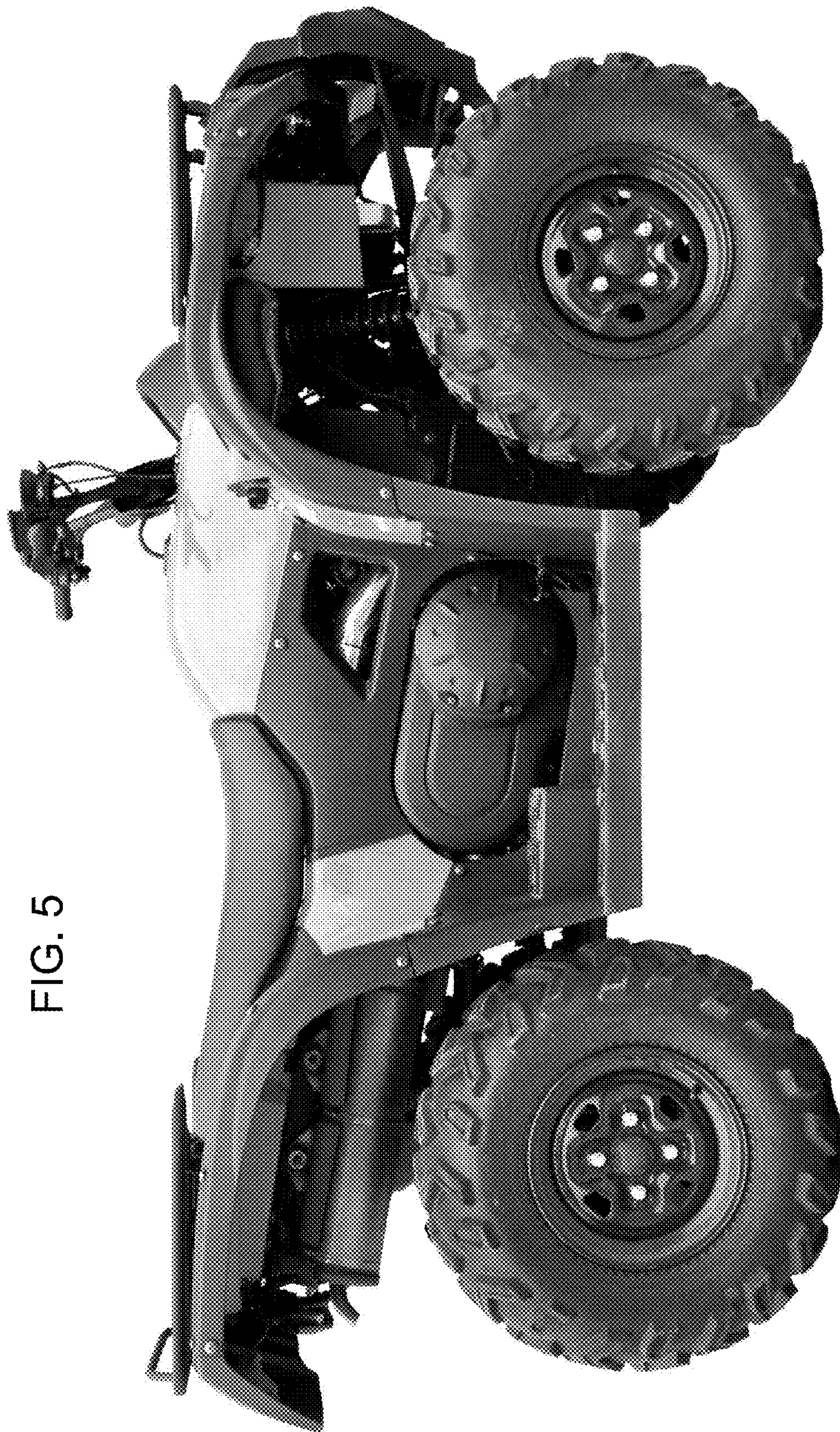


FIG. 5

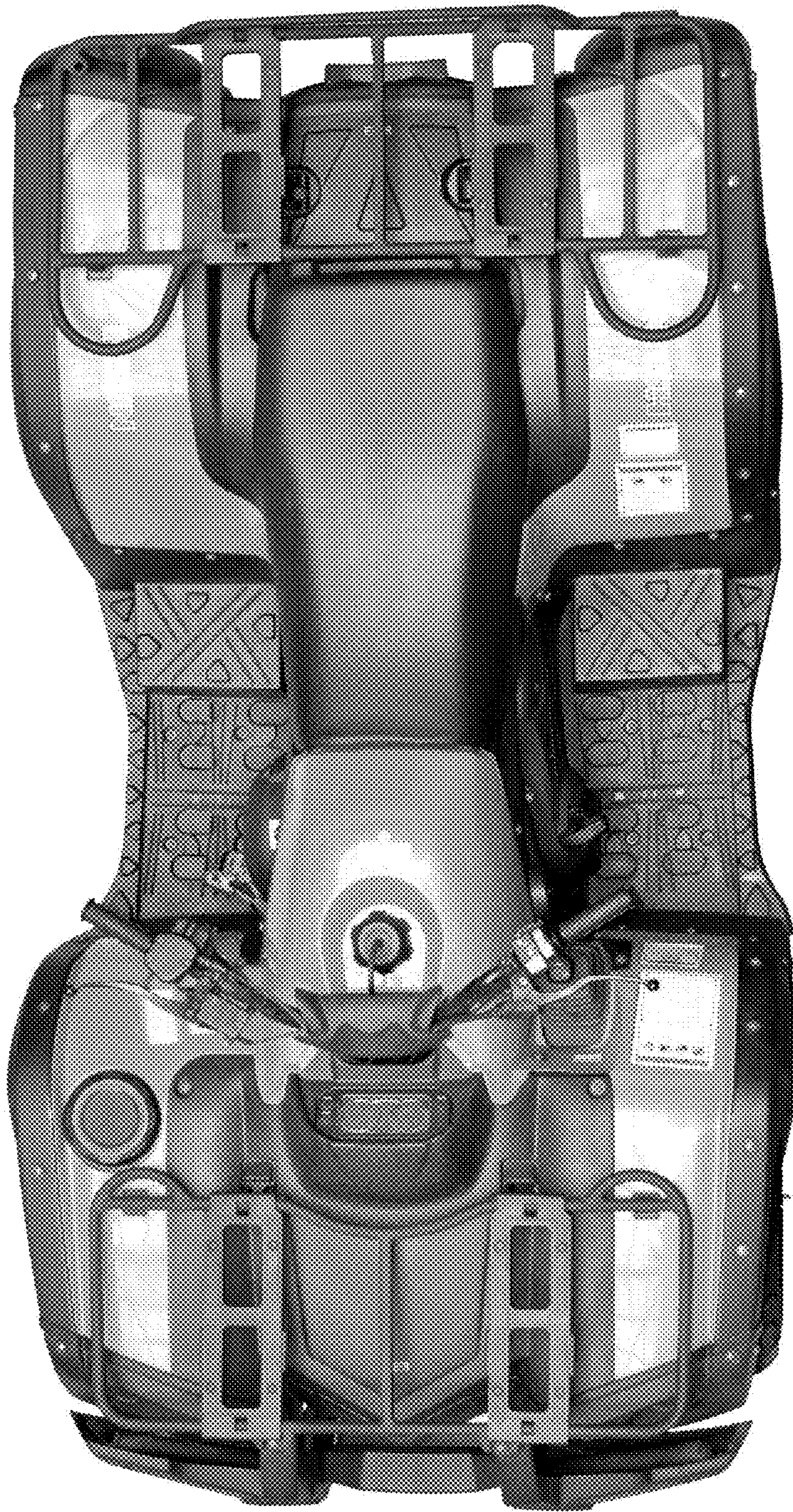


FIG. 6

FIG. 7



FIG. 8

