

US00D680468S

(12) **United States Design Patent**  
**Li et al.**

(10) **Patent No.:** **US D680,468 S**  
(45) **Date of Patent:** **\*\* Apr. 23, 2013**

(54) **FOUR WHEEL ALL-TERRAIN VEHICLE**

(75) Inventors: **Guanxiang Li**, Chongqing (CN); **Hui Li**, Chongqing (CN)

(73) Assignee: **Chongqing Huansong Industries (Group) Co., Ltd.**, Chongqing (CN)

(\*\*) Term: **14 Years**

(21) Appl. No.: **29/420,804**

(22) Filed: **May 14, 2012**

**Related U.S. Application Data**

(63) Continuation-in-part of application No. 29/381,008, filed on Dec. 14, 2010, now abandoned.

(51) **LOC (9) Cl.** ..... **12-11**

(52) **U.S. Cl.**  
USPC ..... **D12/107**

(58) **Field of Classification Search** ..... D12/107,  
D12/3, 86, 87, 110; 180/223, 225, 229, 233,  
180/311, 312, 315

See application file for complete search history.

(56) **References Cited**

**U.S. PATENT DOCUMENTS**

D492,916 S \* 7/2004 Rondeau et al. .... D12/107  
D520,912 S \* 5/2006 Knight et al. .... D12/107

D531,088 S \* 10/2006 Lin ..... D12/107  
D546,246 S \* 7/2007 Crepeau et al. .... D12/107  
7,331,418 B2 \* 2/2008 Audet ..... 180/312  
7,390,046 B2 \* 6/2008 Ostroski et al. .... 296/63  
7,743,864 B2 \* 6/2010 Tweet ..... 180/89.1  
D640,604 S \* 6/2011 Lai et al. .... D12/107  
D640,605 S \* 6/2011 Lai et al. .... D12/107  
D657,721 S \* 4/2012 Miyanishi ..... D12/107

\* cited by examiner

*Primary Examiner* — Susan M Lee

*Assistant Examiner* — Linda G Brooks

(74) *Attorney, Agent, or Firm* — Locke Lord LLP

(57) **CLAIM**

The ornamental design for a four wheel all-terrain vehicle, as shown.

**DESCRIPTION**

FIG. 1 is a front-left perspective view of the four wheel all-terrain vehicle showing the new design thereof; FIG. 2 is a front-right perspective view thereof; FIG. 3 is a rear-left perspective view thereof; FIG. 4 is a rear-right perspective view thereof; FIG. 5 is a left side view thereof; FIG. 6 is a right side view thereof; FIG. 7 is a top view thereof; FIG. 8 is a front view thereof; and, FIG. 9 is a rear view thereof.

**1 Claim, 9 Drawing Sheets**



FIG. 1



FIG. 2

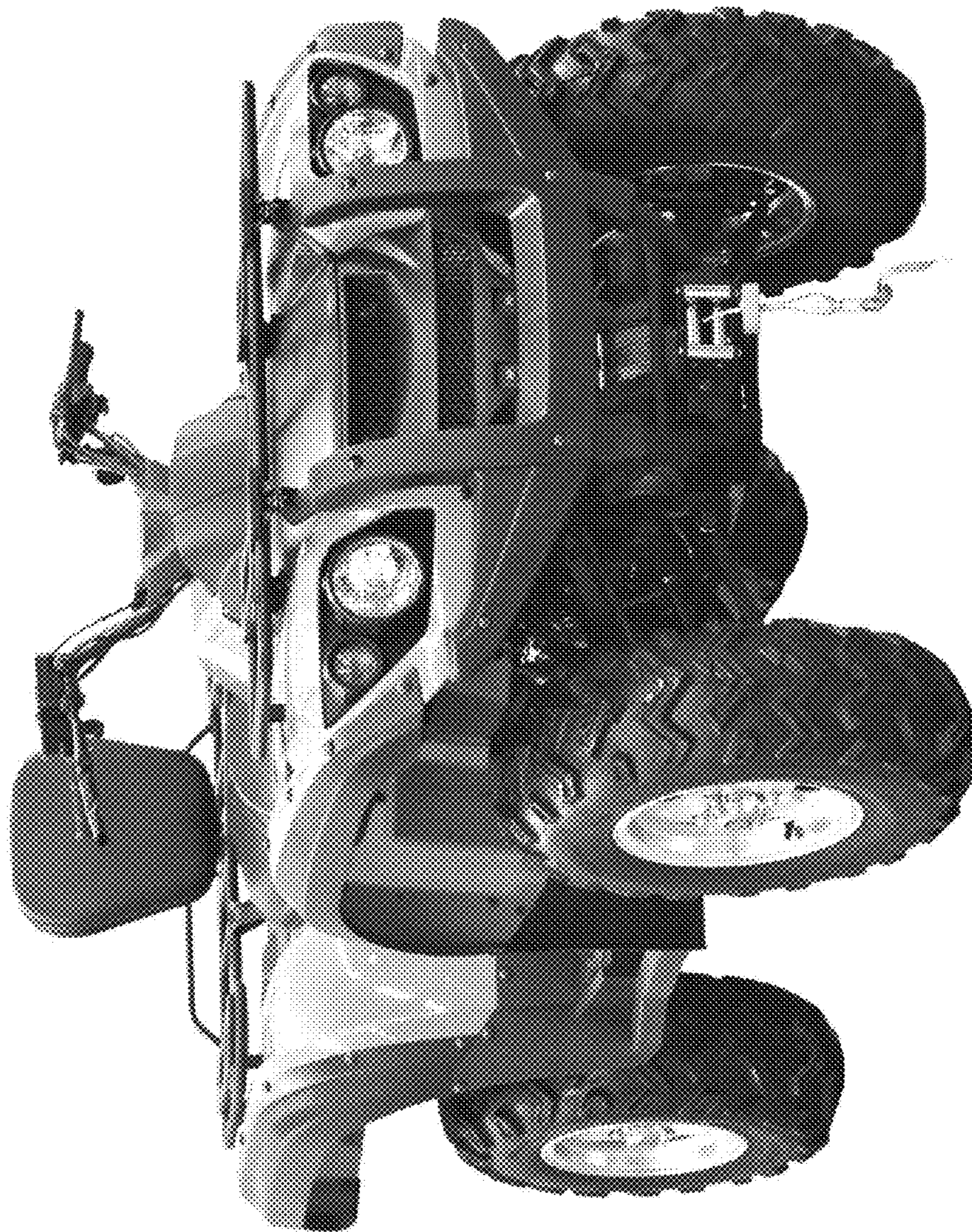




FIG. 3

FIG. 4



FIG. 5

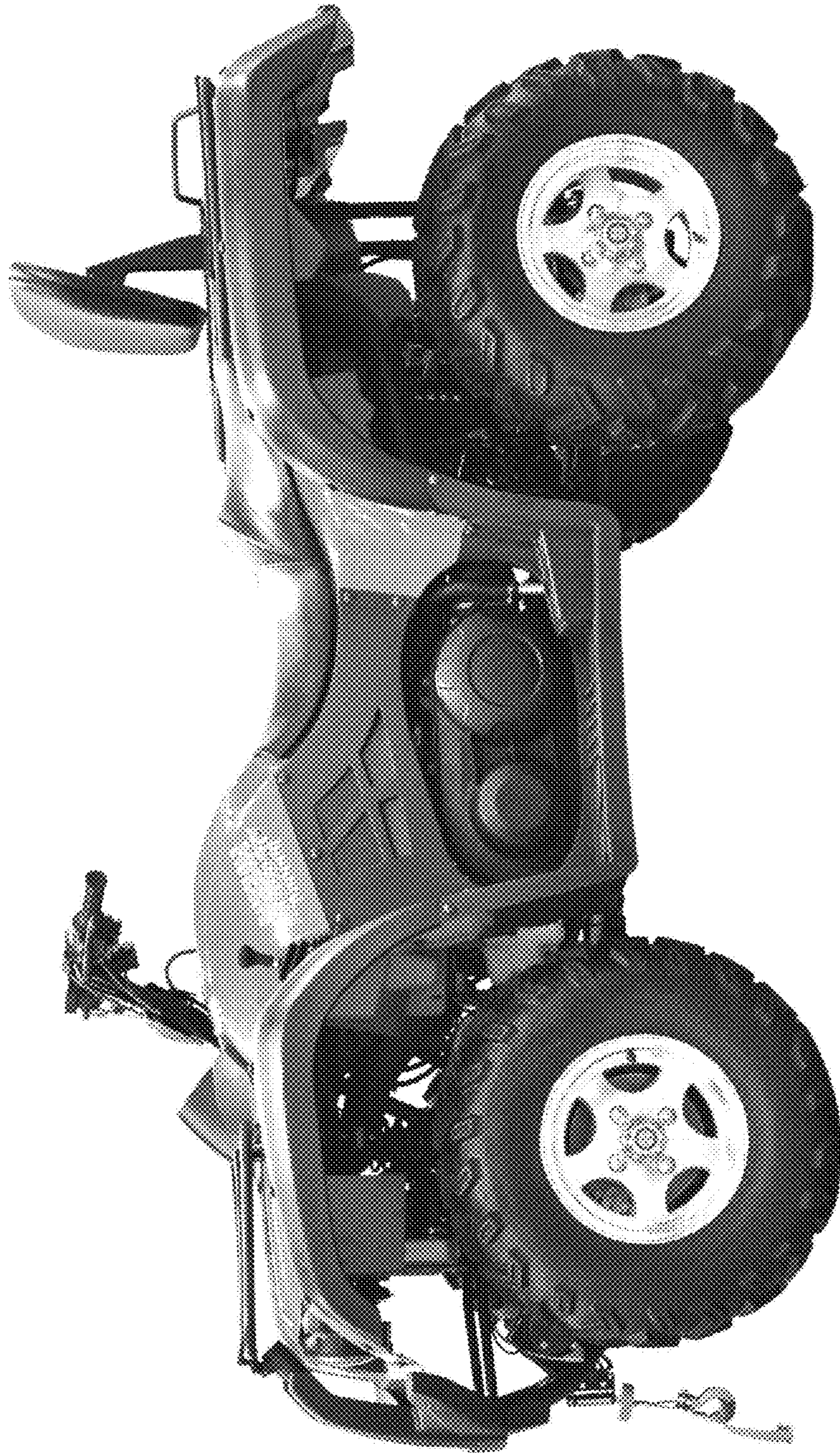
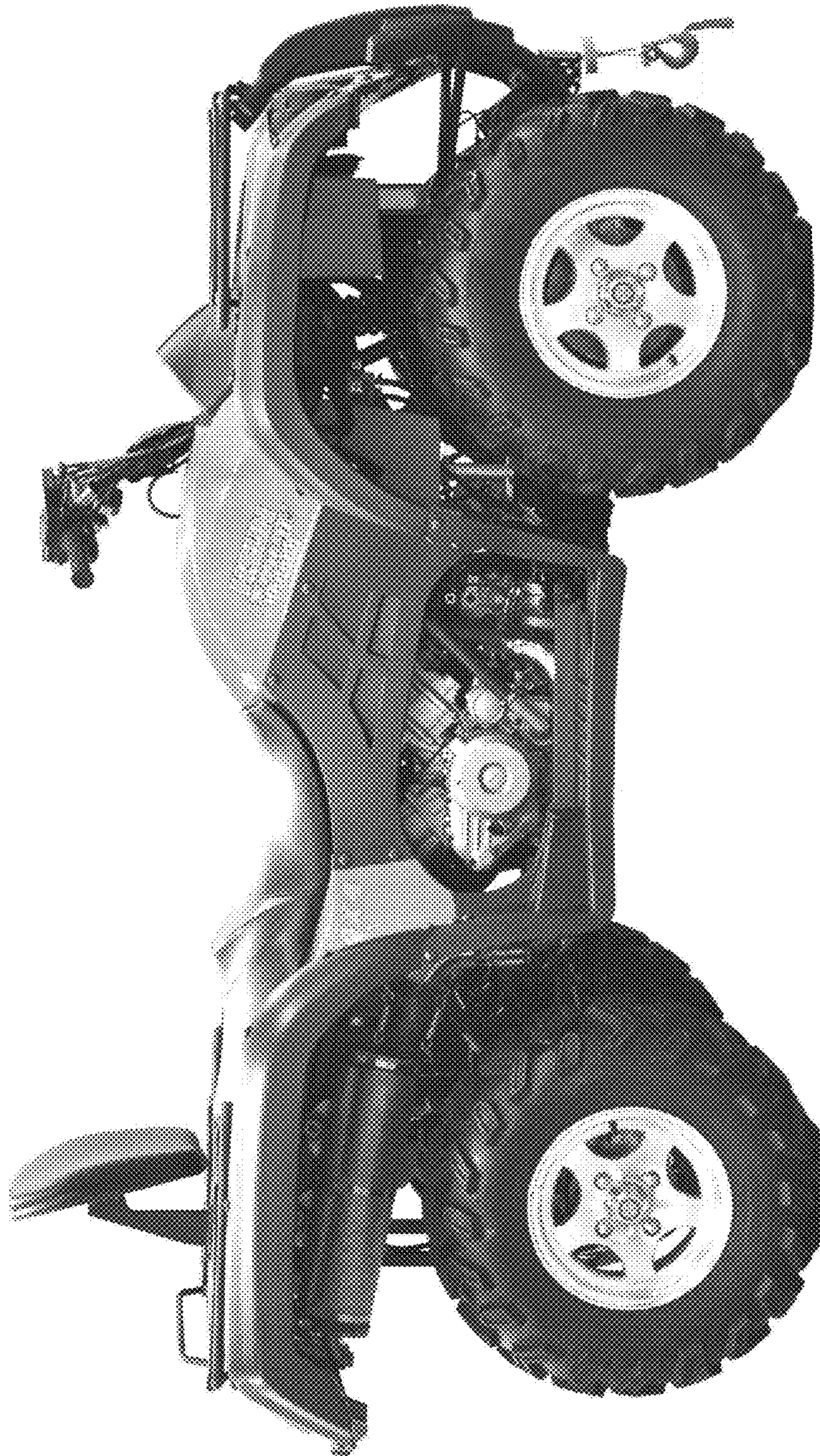


FIG. 6



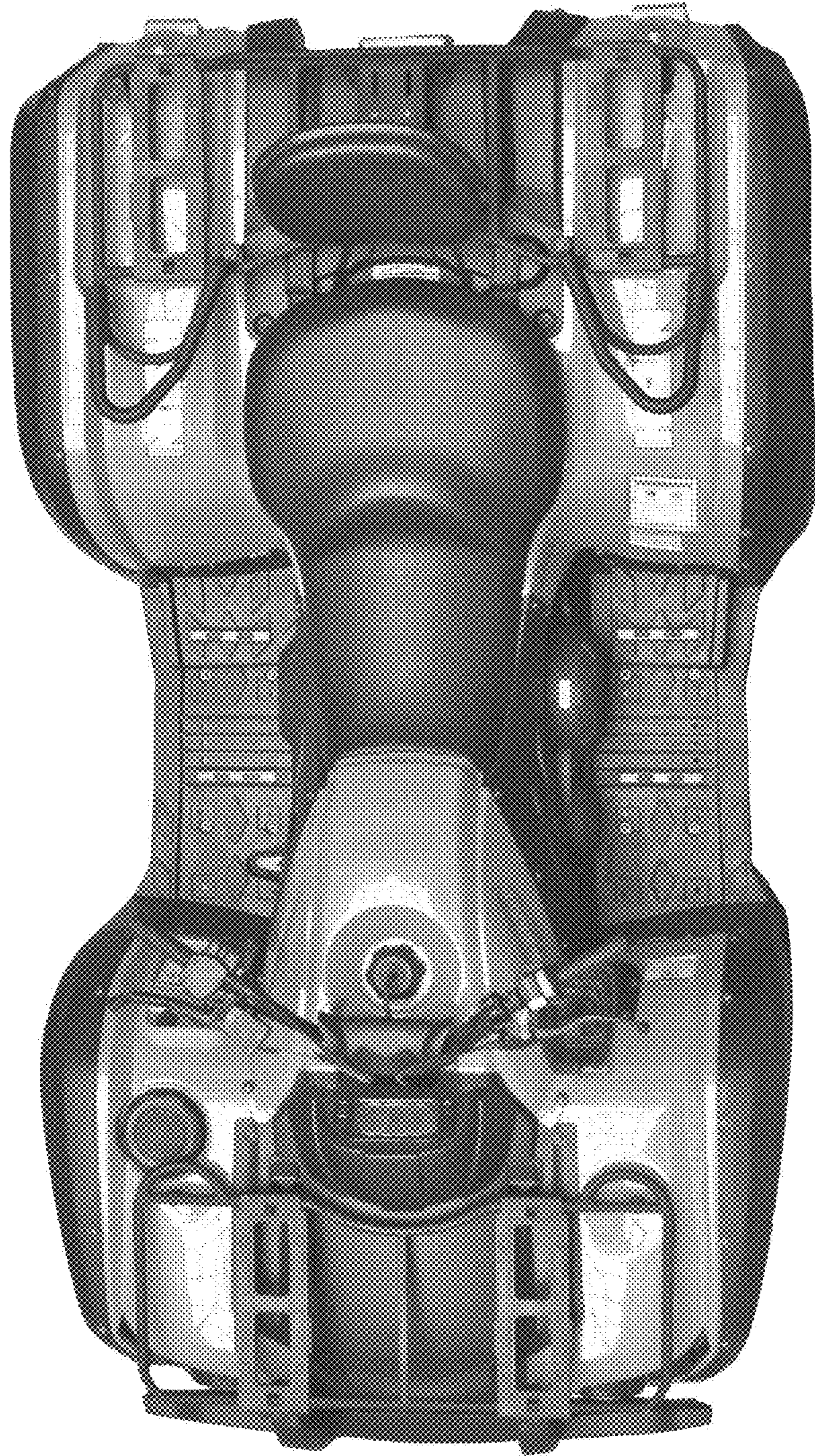


FIG. 7



FIG. 8

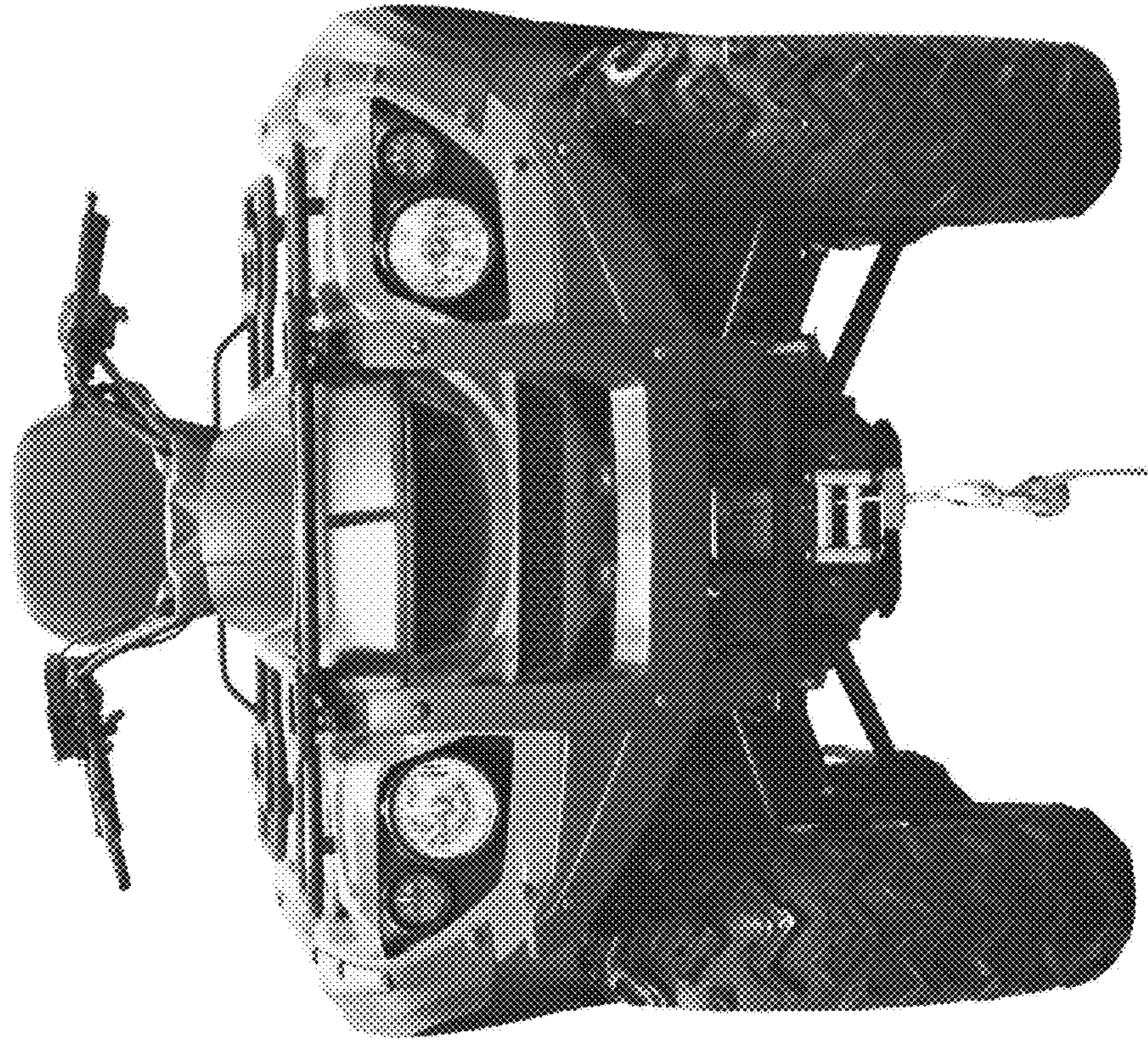


FIG. 9

