



US00D680467S

(12) **United States Design Patent**
Strom et al.

(10) **Patent No.:** **US D680,467 S**

(45) **Date of Patent:** **** Apr. 23, 2013**

(54) **POT**

(75) Inventors: **Erik Strom**, Brooklyn, NY (US);
Laurent Hainaut, New York, NY (US)

(73) Assignee: **Raison Pure International, Inc.**, New York, NY (US)

(**) Term: **14 Years**

(21) Appl. No.: **29/425,666**

(22) Filed: **Jun. 26, 2012**

(51) **LOC (9) Cl.** **11-02**

(52) **U.S. Cl.**
USPC **D11/152**

(58) **Field of Classification Search** D6/403-405,
D6/556-558; D8/1; D11/143-156, 164;
D19/77, 80, 81, 84; D25/100; D26/9-11,
D26/16, 19; D34/1, 2, 4-6; D99/5, 19; 47/17,
47/32.4, 32.5, 33, 39, 41.01, 41.1, 41.11-41.15,
47/44-47, 65, 65.5, 65.9, 66.1, 66.6, 66.7,
47/67-71

See application file for complete search history.

(56) **References Cited**

U.S. PATENT DOCUMENTS

D184,882 S *	4/1959	Mapes et al.	D6/407
D250,940 S *	1/1979	Magee et al.	D11/152
D317,104 S *	5/1991	Lyon	D34/5
D445,414 S *	7/2001	Powers, Jr.	D11/152
D497,494 S *	10/2004	Tseng	D6/403
D542,054 S *	5/2007	Knight	D6/403
D559,008 S *	1/2008	Knight	D6/403
D630,124 S *	1/2011	Connell et al.	D11/152
D635,486 S *	4/2011	Bodum	D11/152

* cited by examiner

Primary Examiner — Garth Rademaker

(74) *Attorney, Agent, or Firm* — Gottlieb, Rackman & Reisman, P.C.

(57) **CLAIM**

The ornamental design for a pot, as shown and described.

DESCRIPTION

FIG. 1 is a perspective view of a pot showing our new design;
FIG. 2 is a top plan view thereof;
FIG. 3 is a front elevational view thereof;
FIG. 4 is a left side elevational view thereof, the right side
elevational view being a mirror image thereof;
FIG. 5 is a rear elevational view thereof; and,
FIG. 6 is a bottom plan view thereof.

1 Claim, 3 Drawing Sheets

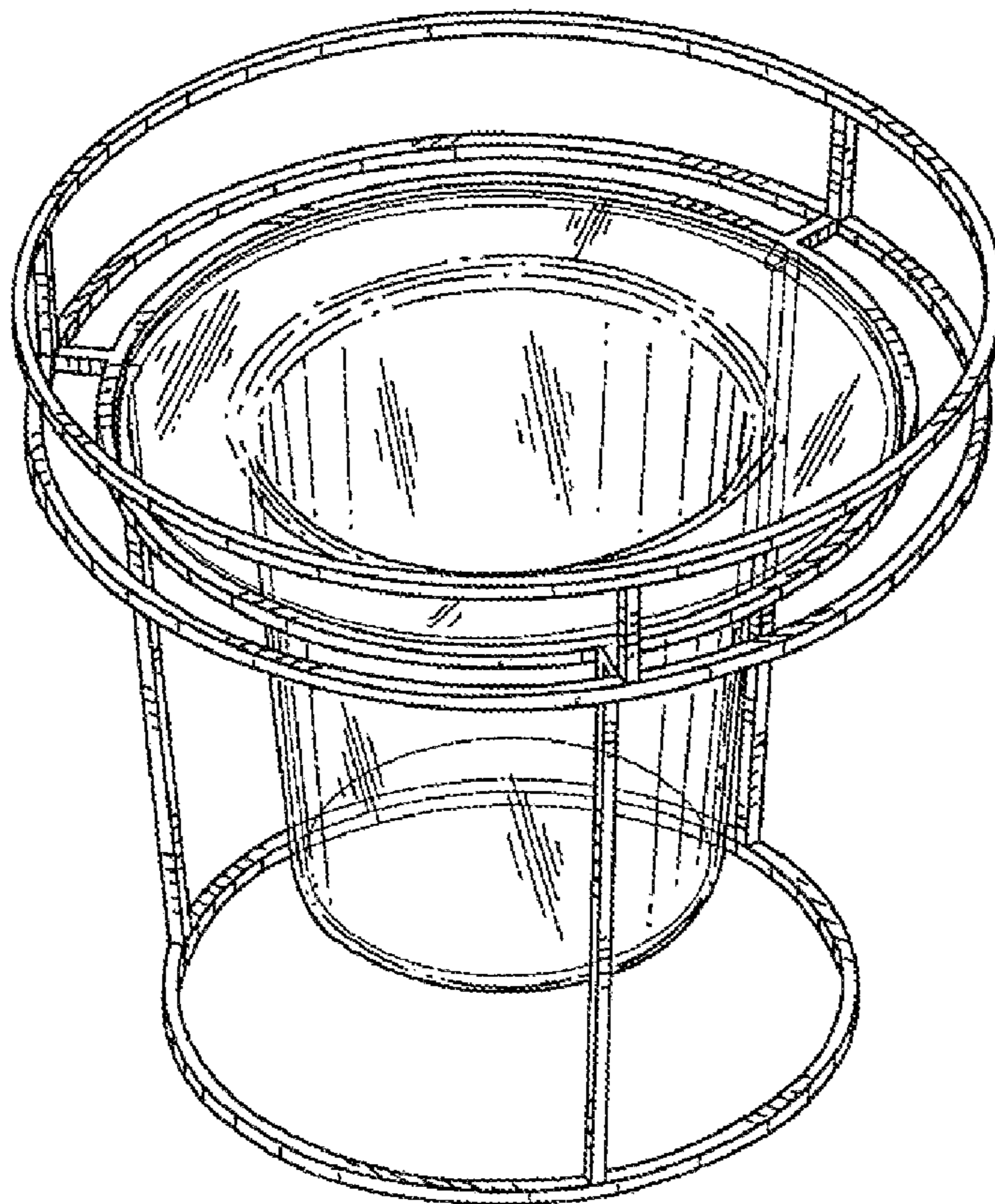


FIG. 1

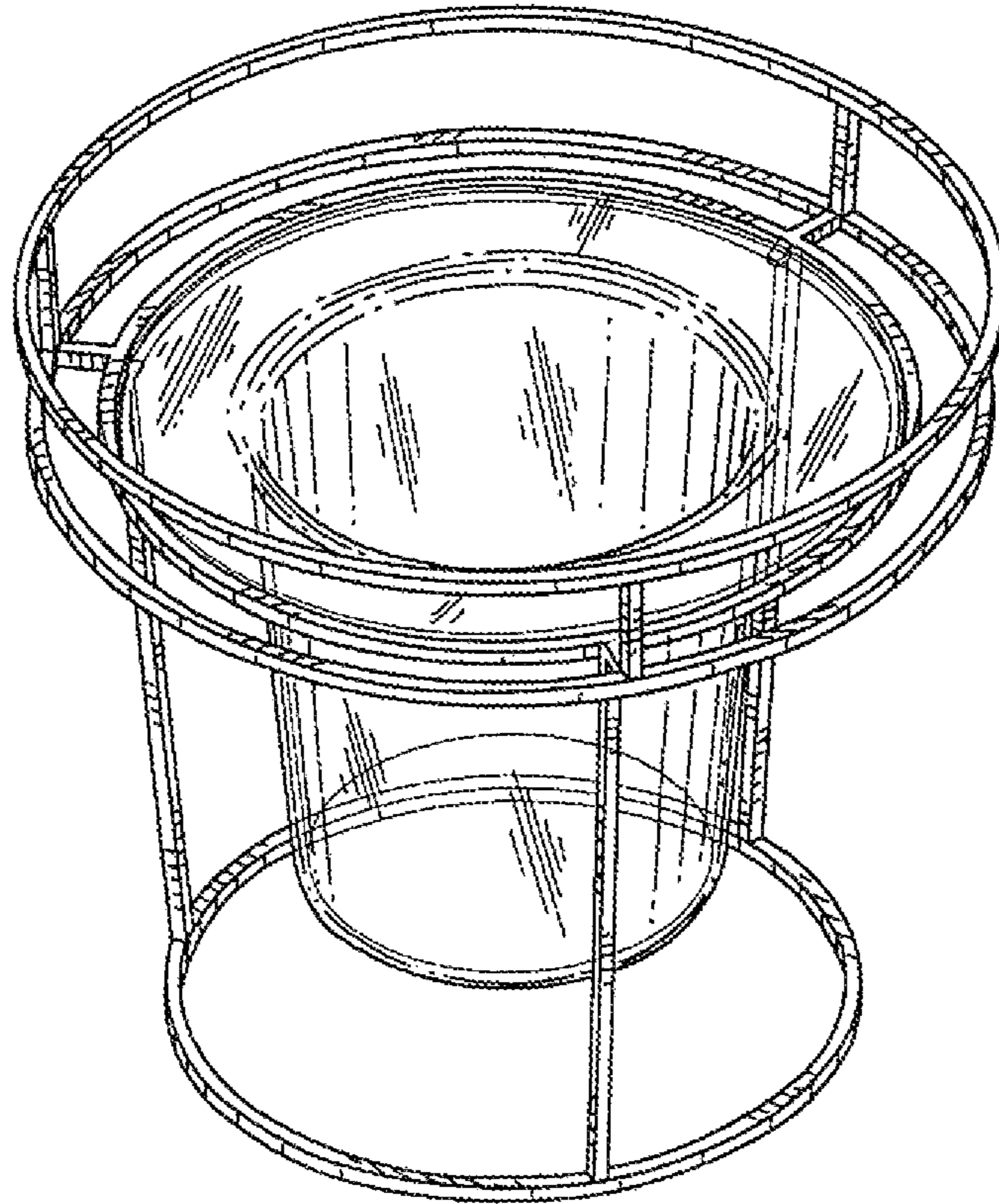
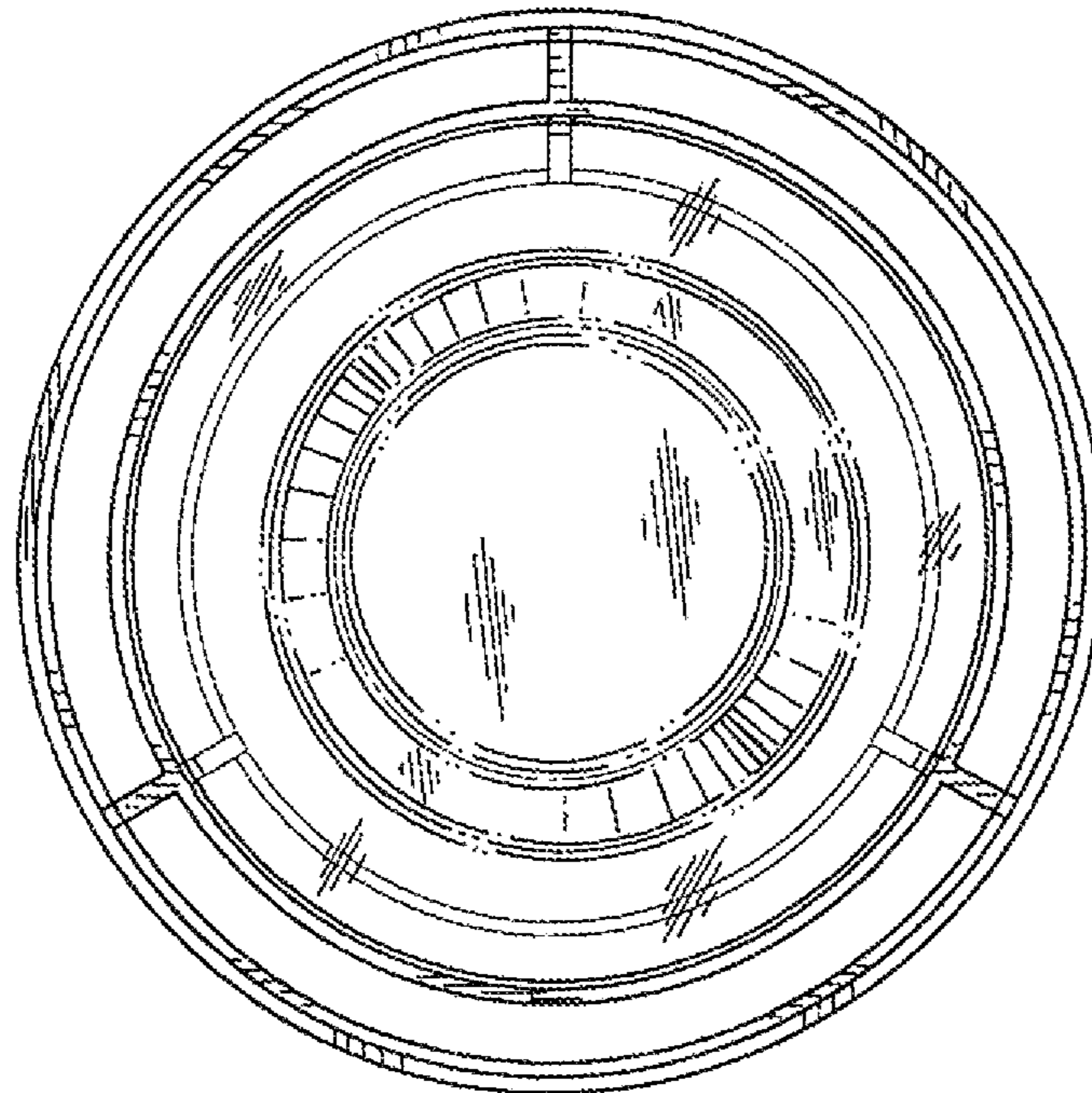


FIG. 2



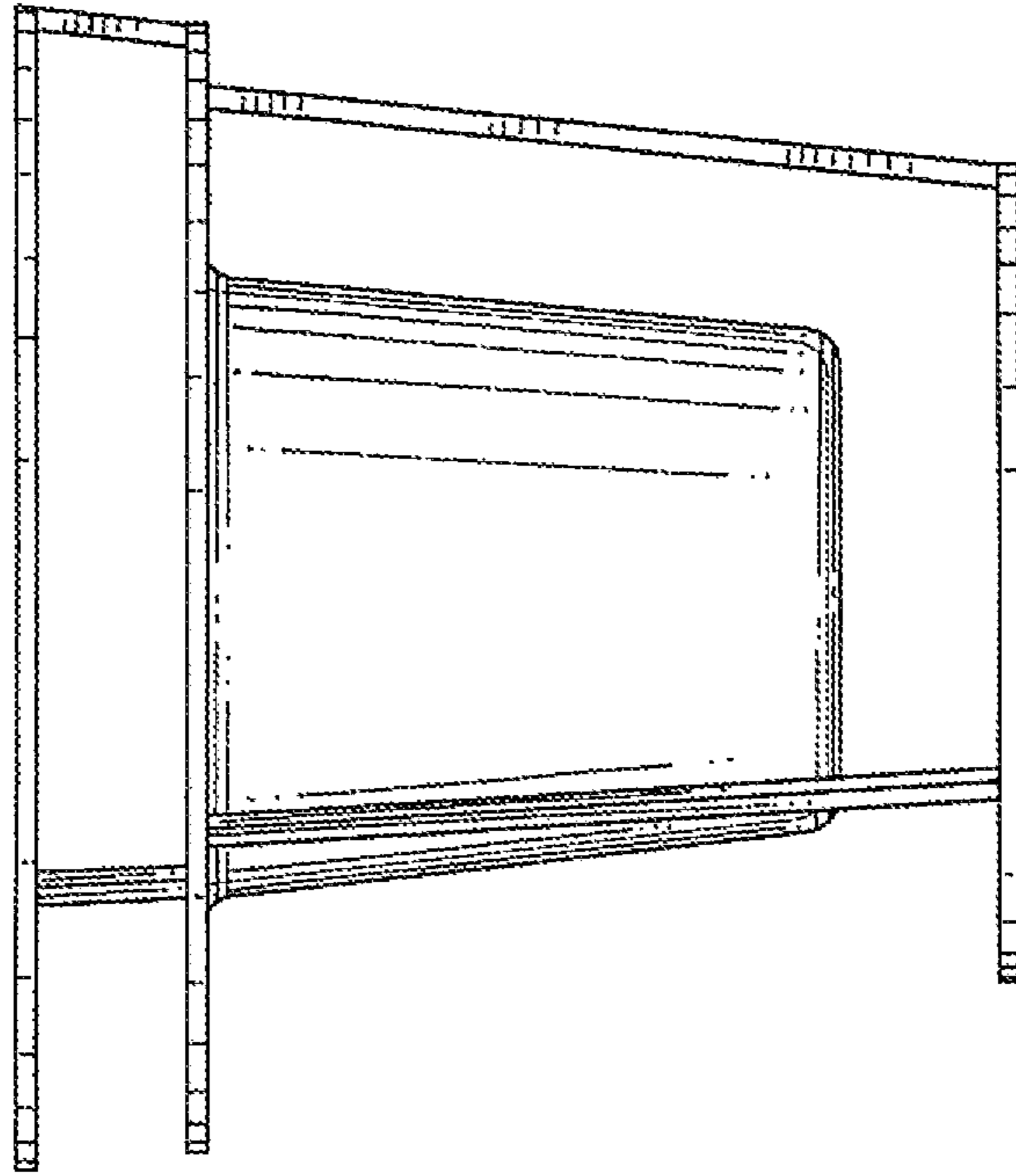


FIG. 4

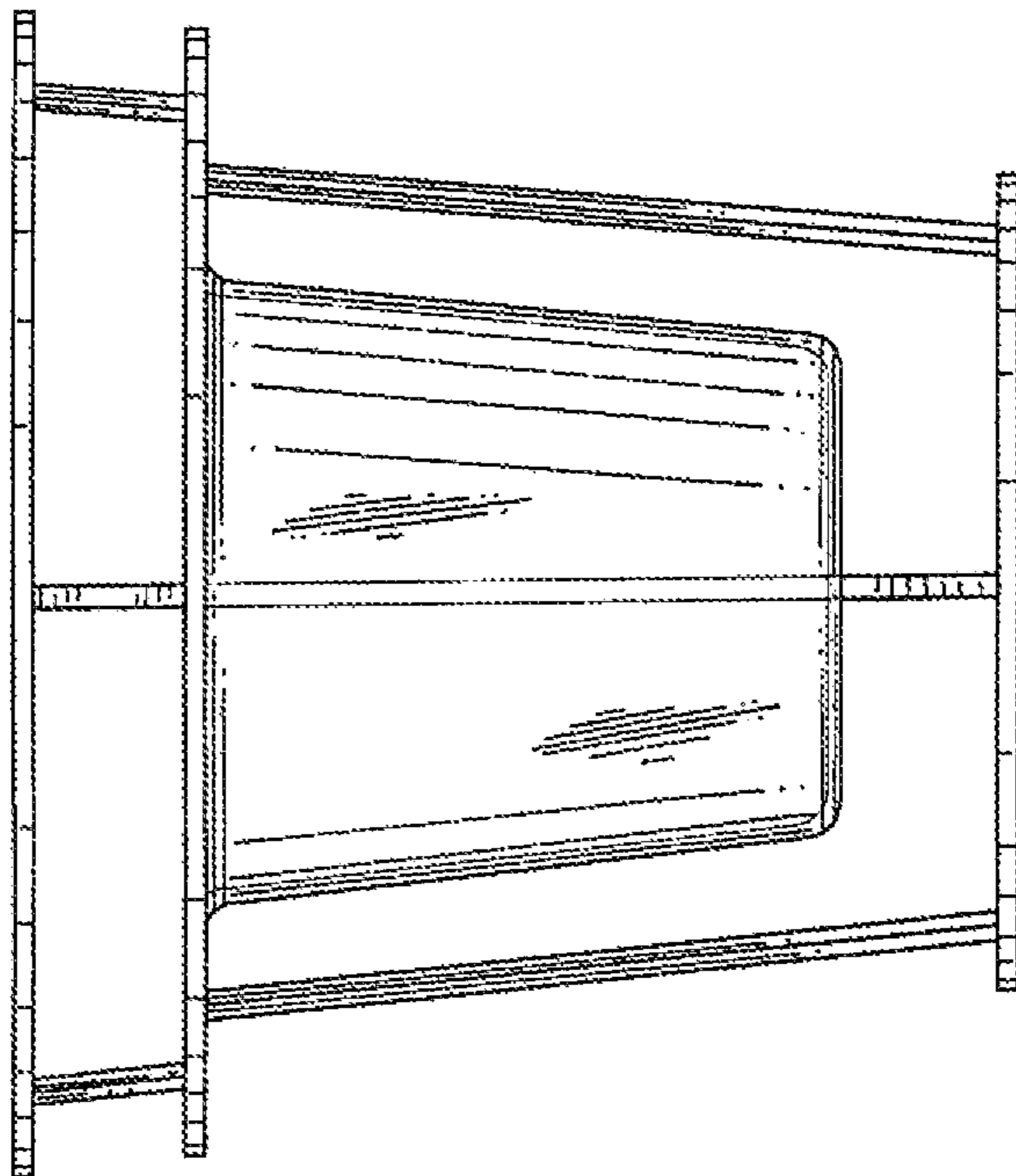


FIG. 3

FIG. 5

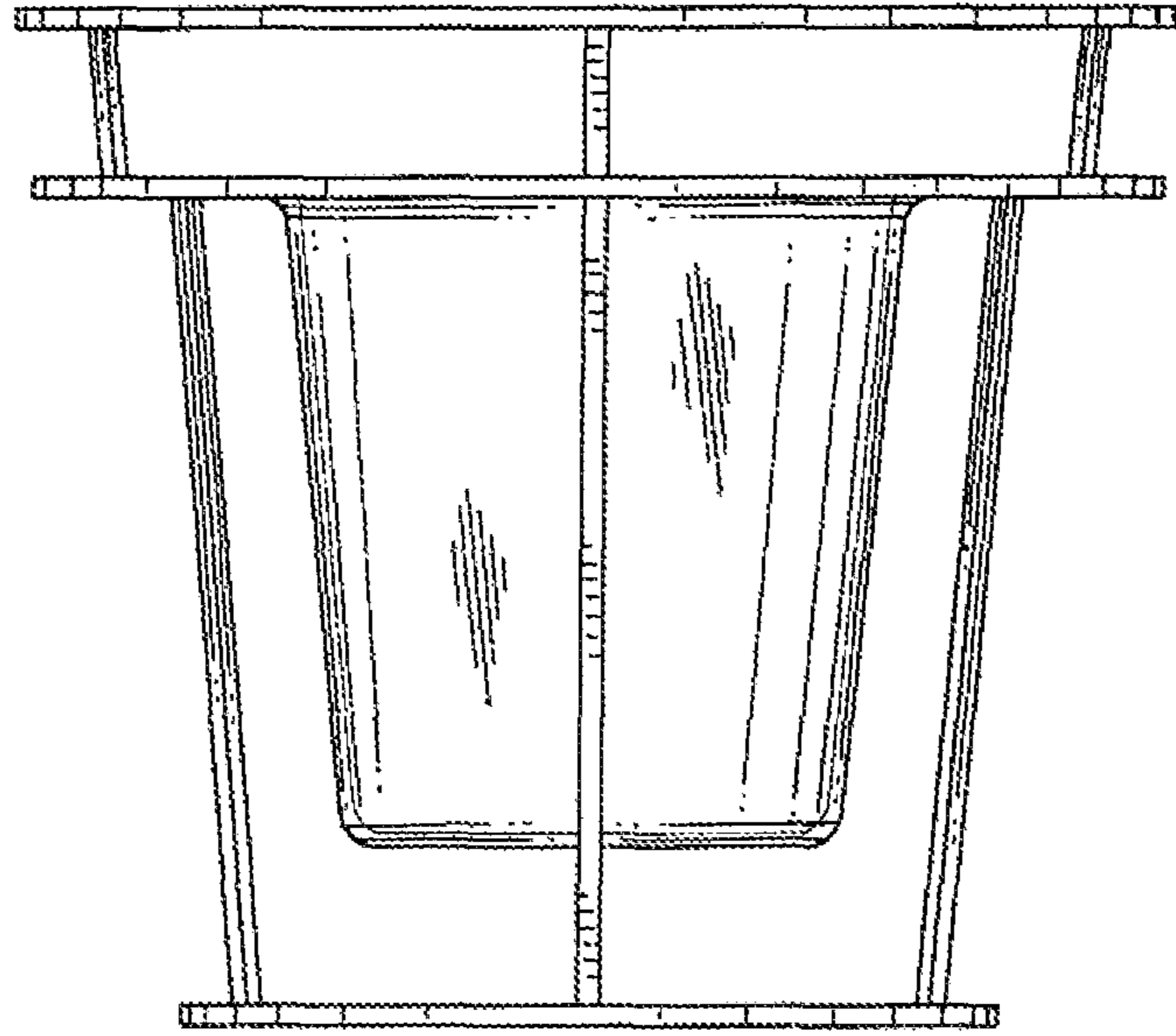


FIG. 6

