



US00D680459S

(12) **United States Design Patent**  
**Corso et al.**

(10) **Patent No.:** **US D680,459 S**

(45) **Date of Patent:** **\*\* Apr. 23, 2013**

(54) **DOOR/WINDOW CONTACT**

(75) Inventors: **Daniel Anthony Corso**, Macedon, NY (US); **James Bruce Thornton**, Webster, NY (US); **Michael Earl Reimer**, Batavia, NY (US)

(73) Assignee: **Robert Bosch GmbH**, Stuttgart (DE)

(\*\*) Term: **14 Years**

(21) Appl. No.: **29/416,416**

(22) Filed: **Mar. 21, 2012**

(51) **LOC (9) Cl.** ..... **10-05**

(52) **U.S. Cl.**  
USPC ..... **D10/106.6**

(58) **Field of Classification Search** ..... D10/104.1,  
D10/106.1–106.7; D13/158, 159, 172, 176;  
D14/348, 364, 356, 314, 215, 214, 300, 349;  
D9/414, 424, 425; 361/726, 816  
See application file for complete search history.

(56) **References Cited**

U.S. PATENT DOCUMENTS

D316,378 S \* 4/1991 Liantonio ..... D10/106.1  
D602,934 S \* 10/2009 Cao et al. .... D14/356

\* cited by examiner

*Primary Examiner* — George D Kirschbaum

(74) *Attorney, Agent, or Firm* — Taft Stettinius & Hollister LLP; Keith Swedo

(57) **CLAIM**

The ornamental design for the door/window contact, as shown and described.

**DESCRIPTION**

FIG. 1 is top right perspective view of the wireless glass break detector;

FIG. 2 is a front view thereof;

FIG. 3 is a rear view thereof;

FIG. 4 is a right side view thereof;

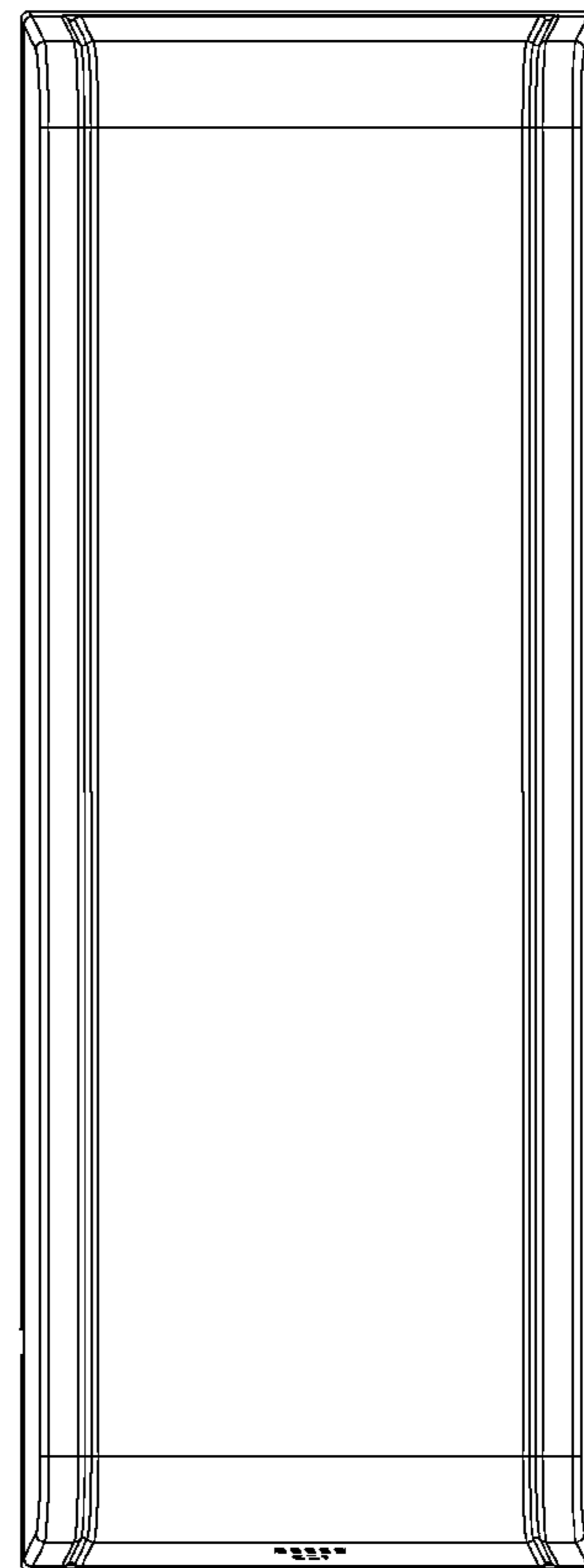
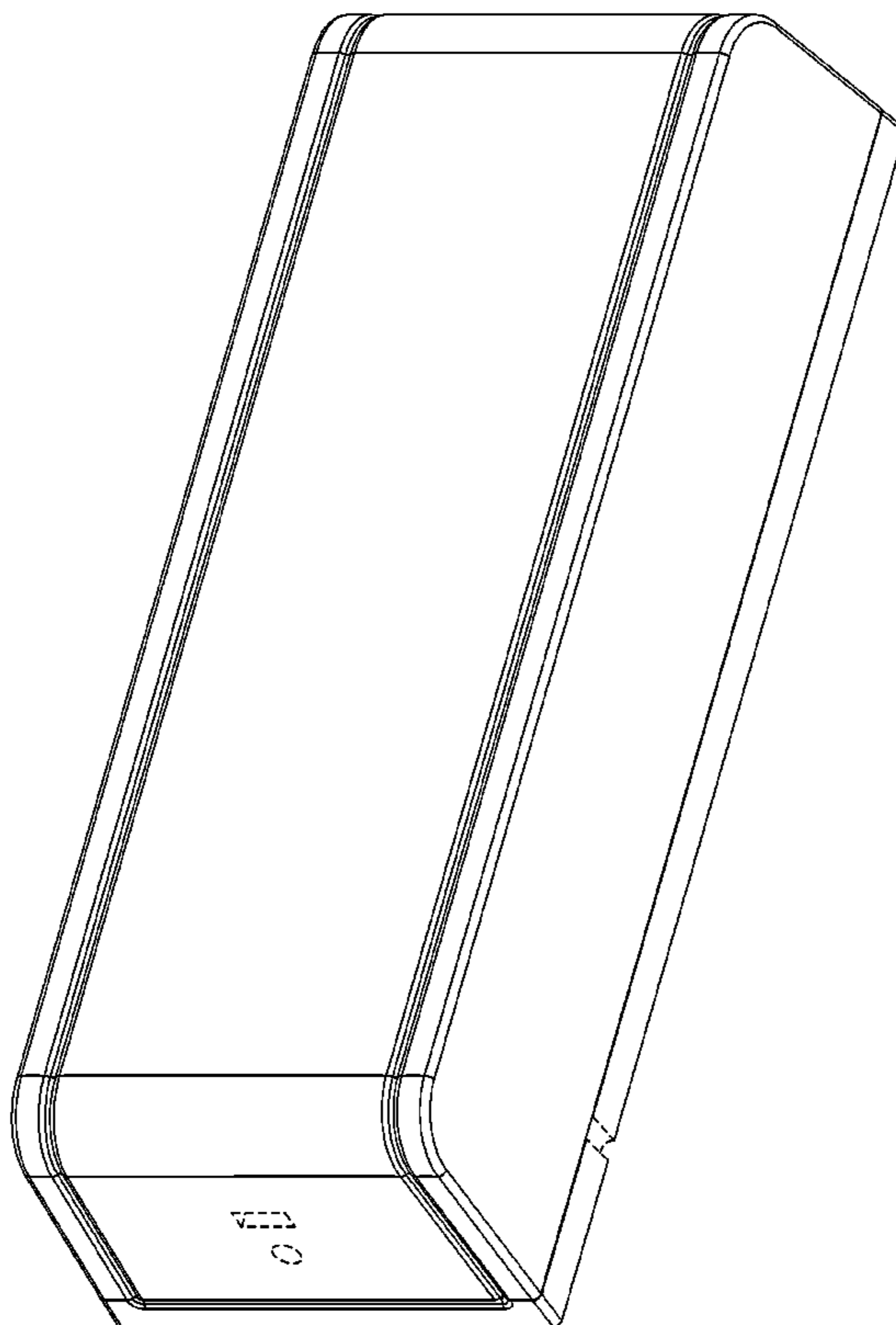
FIG. 5 is a left side view thereof;

FIG. 6 is a top view thereof; and,

FIG. 7 is a bottom view thereof.

The broken line showing of openings, controls and mounting hardware is included for the purpose of illustrating portions of the “article” and forms no part of the claimed design.

**1 Claim, 5 Drawing Sheets**



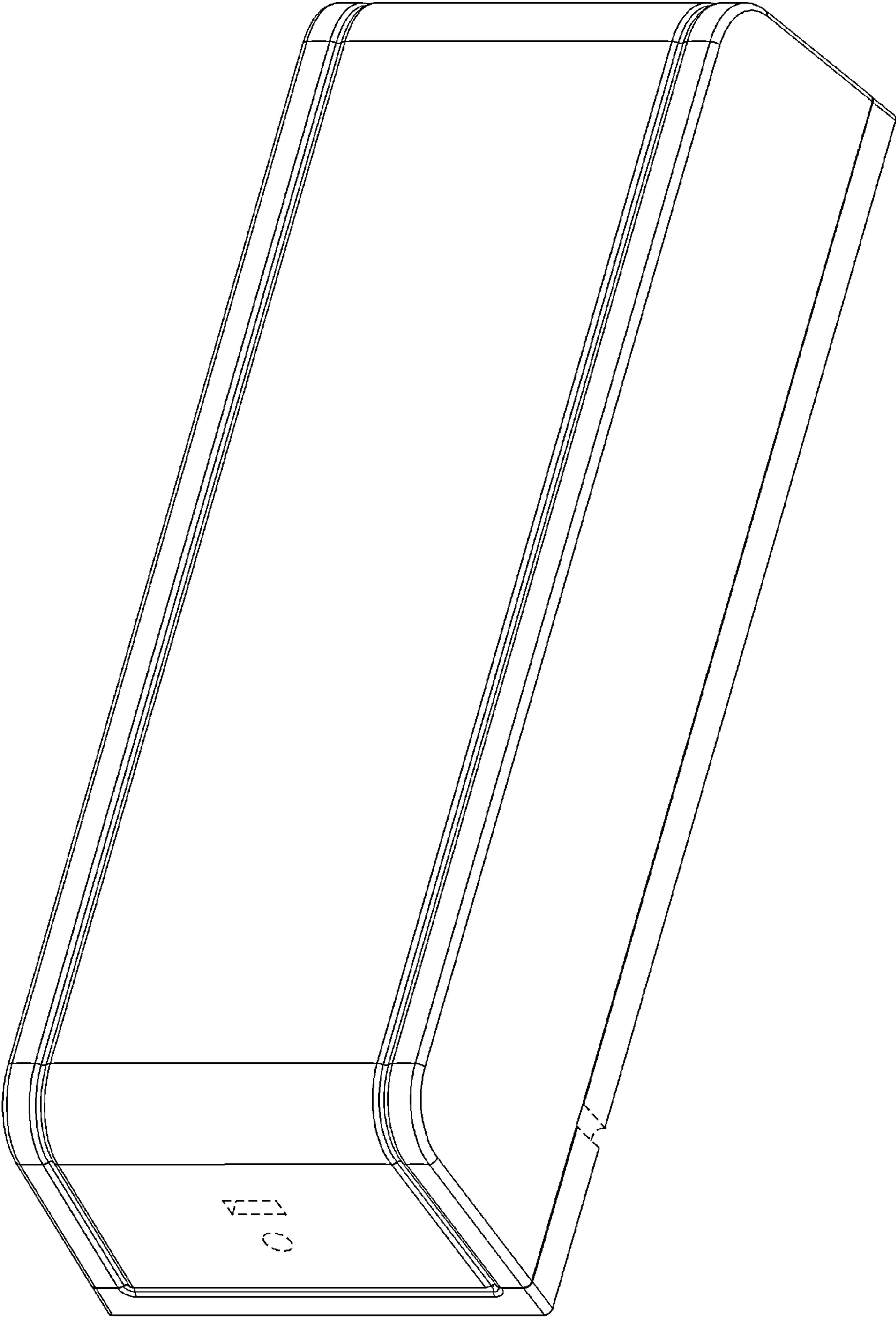


Fig. 1

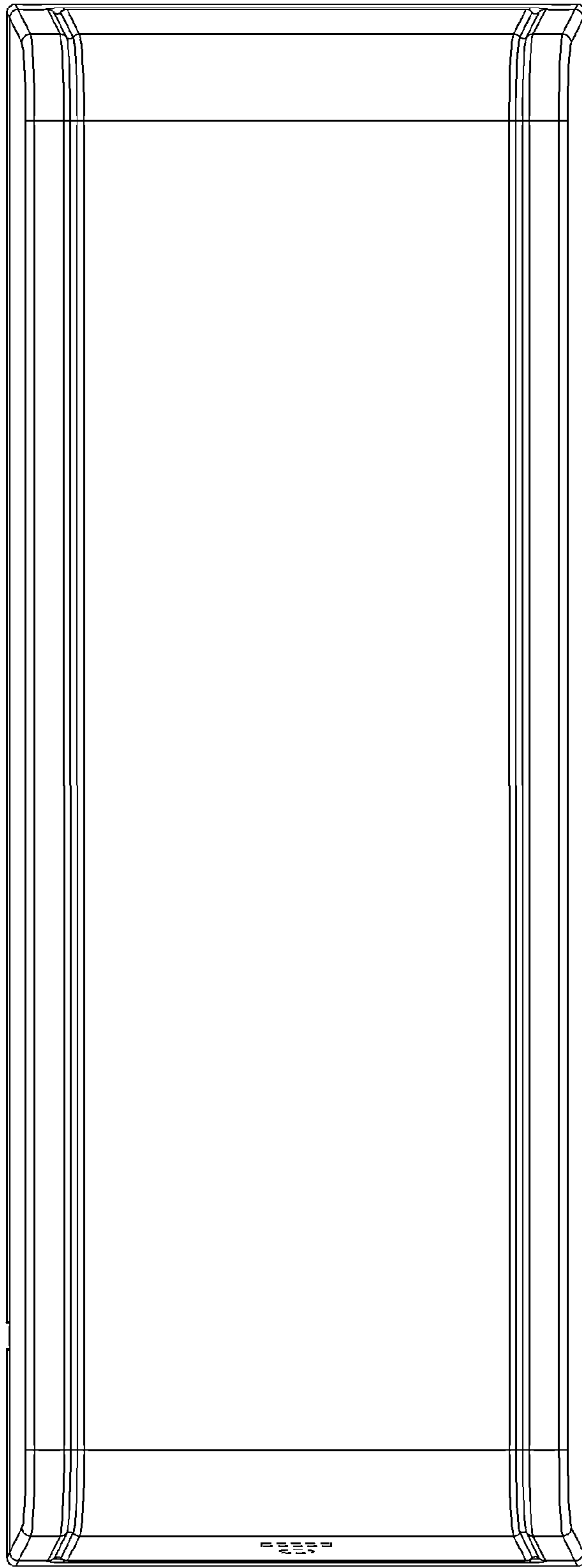


Fig. 2

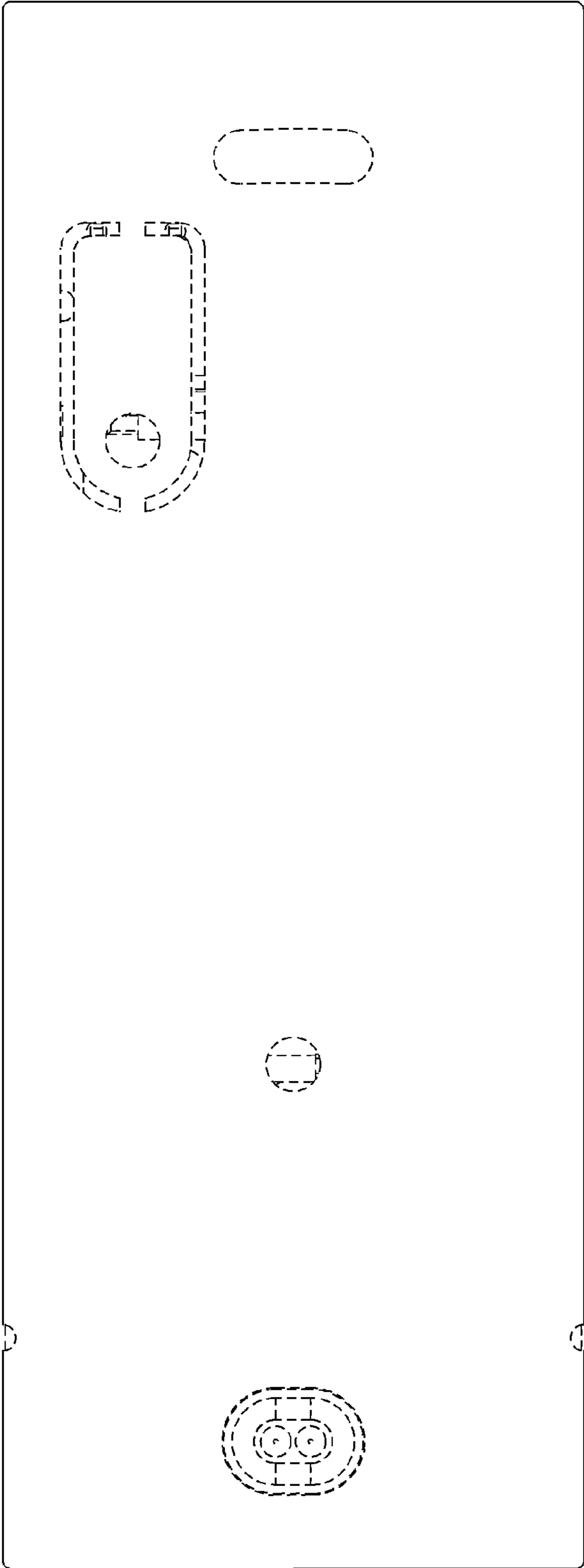


Fig. 3

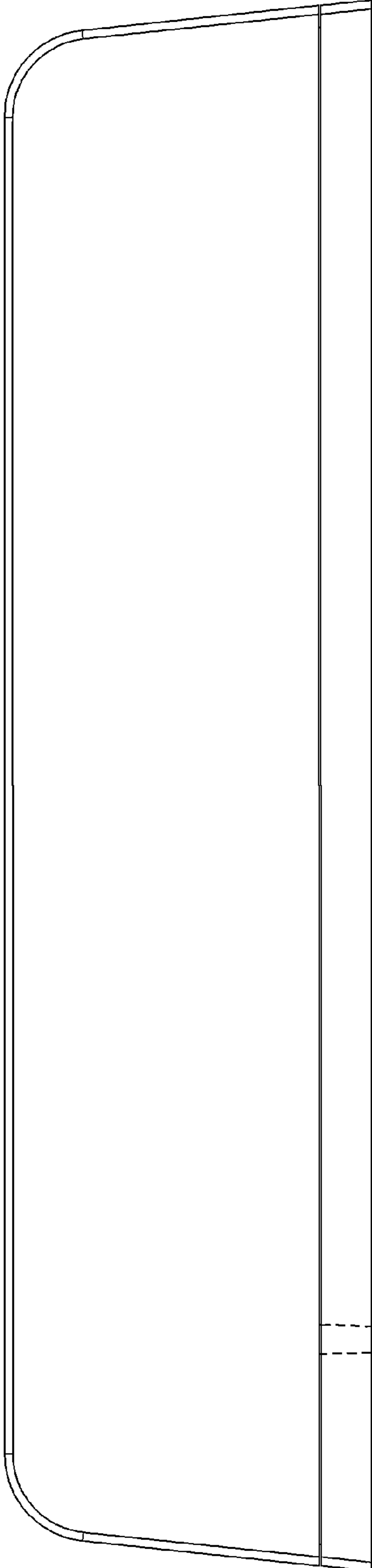


Fig. 4

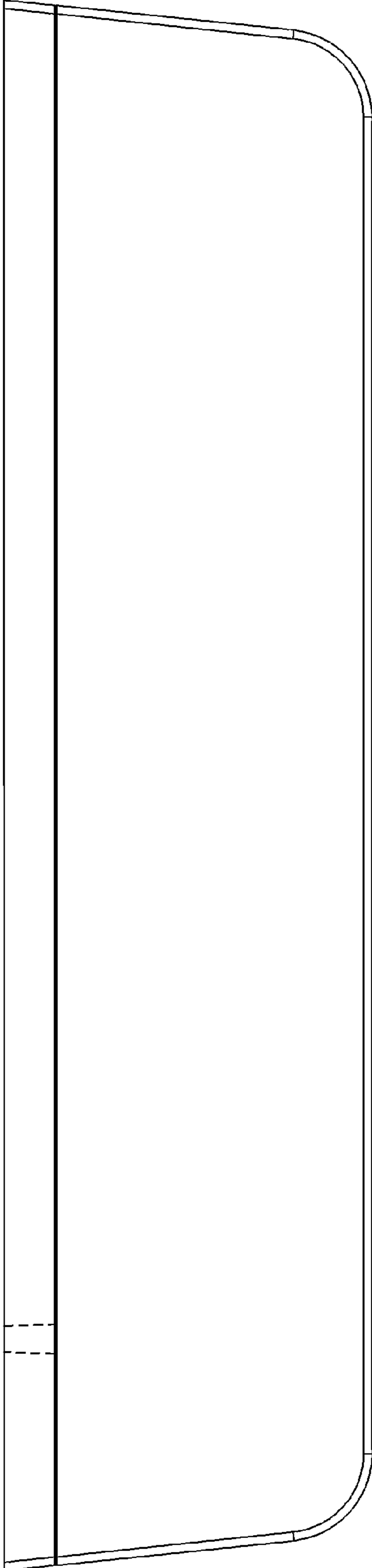


Fig. 5

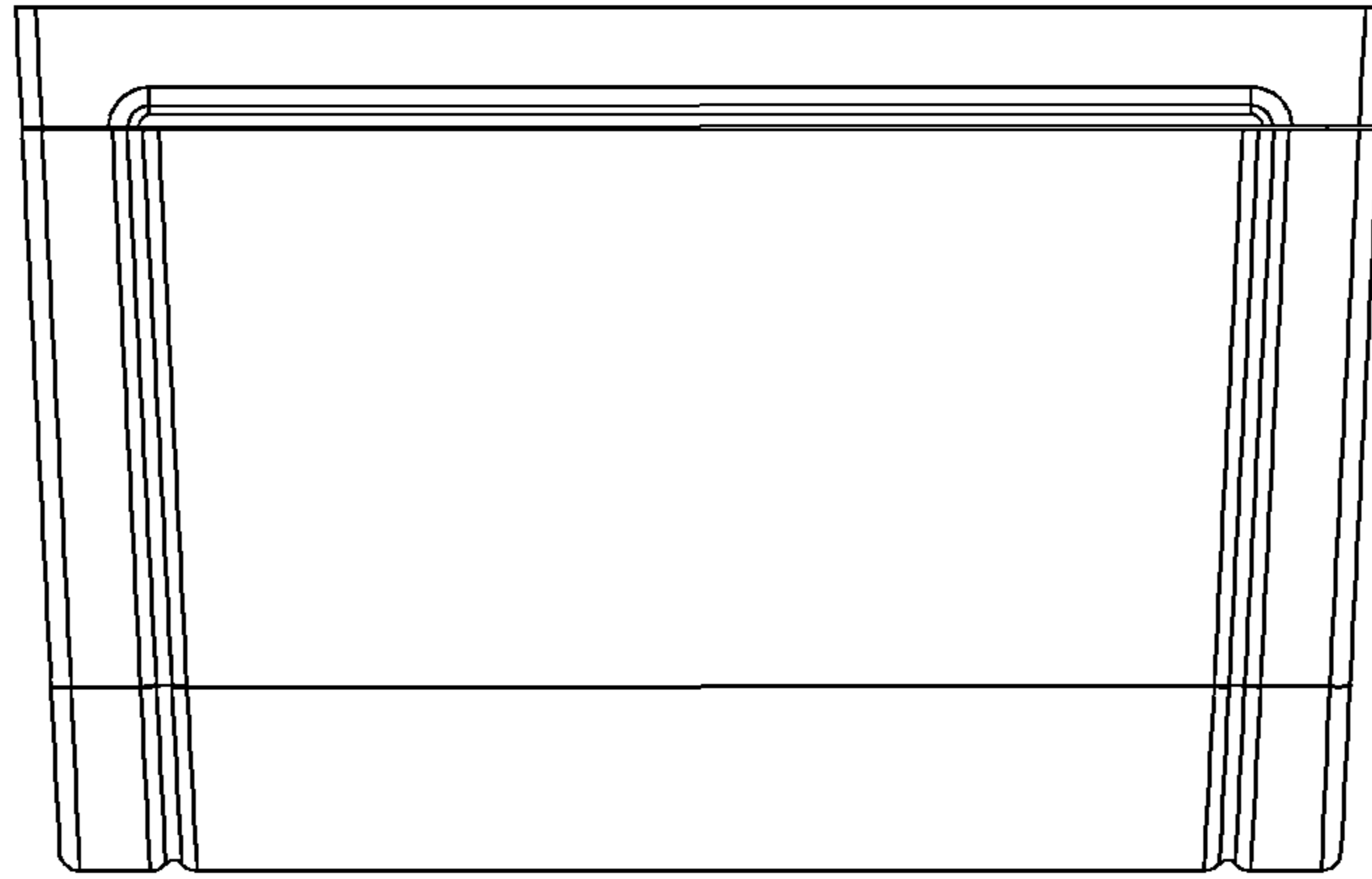


Fig. 6

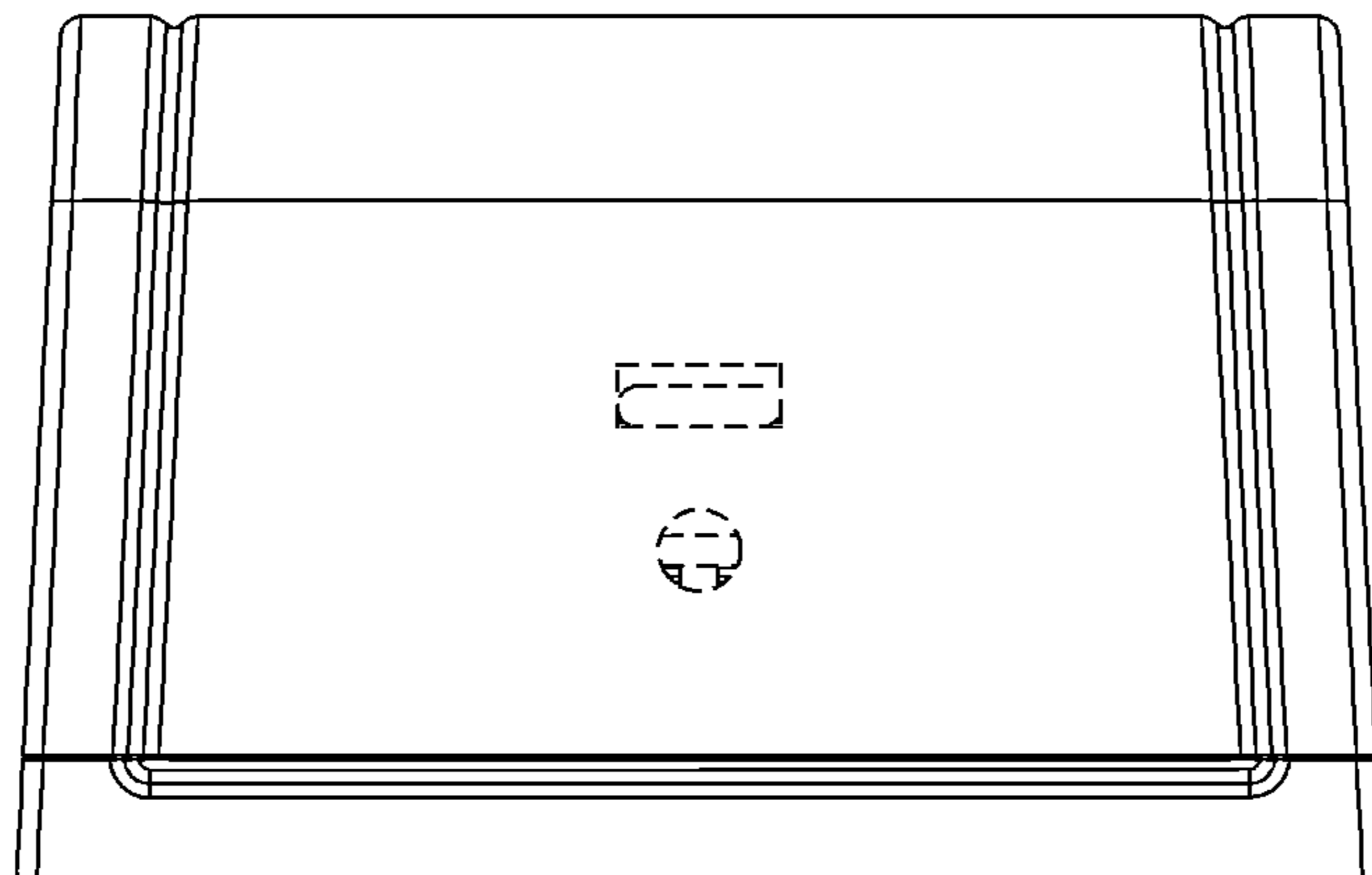


Fig. 7