



US00D680457S

(12) **United States Design Patent**
Hendey, Sr.

(10) **Patent No.:** **US D680,457 S**
(45) **Date of Patent:** **** Apr. 23, 2013**

(54) **WATER METER**

(76) Inventor: **Arthur A. Hendey, Sr.**, Beaumont, CA
(US)

(**) Term: **14 Years**

(21) Appl. No.: **29/417,493**

(22) Filed: **Apr. 4, 2012**

(51) **LOC (9) Cl.** **10-04**

(52) **U.S. Cl.**
USPC **D10/99; D10/100**

(58) **Field of Classification Search** D10/96,
D10/99; 73/195-203, 264, 272 R-274, 276,
73/861.33, 861.77, 861.75, 861.79; 137/343;
241/205, 208

See application file for complete search history.

(56) **References Cited**

U.S. PATENT DOCUMENTS

5,339,686 A * 8/1994 DeJarlais et al. 73/201
6,345,541 B1 * 2/2002 Hendey 73/861.79
D472,835 S * 4/2003 Hendey D10/99

D559,717 S * 1/2008 Hendey D10/96
D645,770 S * 9/2011 Margalit et al. D10/99
2009/0255346 A1 * 10/2009 Hendey et al. 73/861.77
2012/0011929 A1 * 1/2012 Ball et al. 73/201
2012/0156409 A1 * 6/2012 Chu et al. 428/35.7

* cited by examiner

Primary Examiner — Antoine D Davis

(74) *Attorney, Agent, or Firm* — Morland C. Fischer

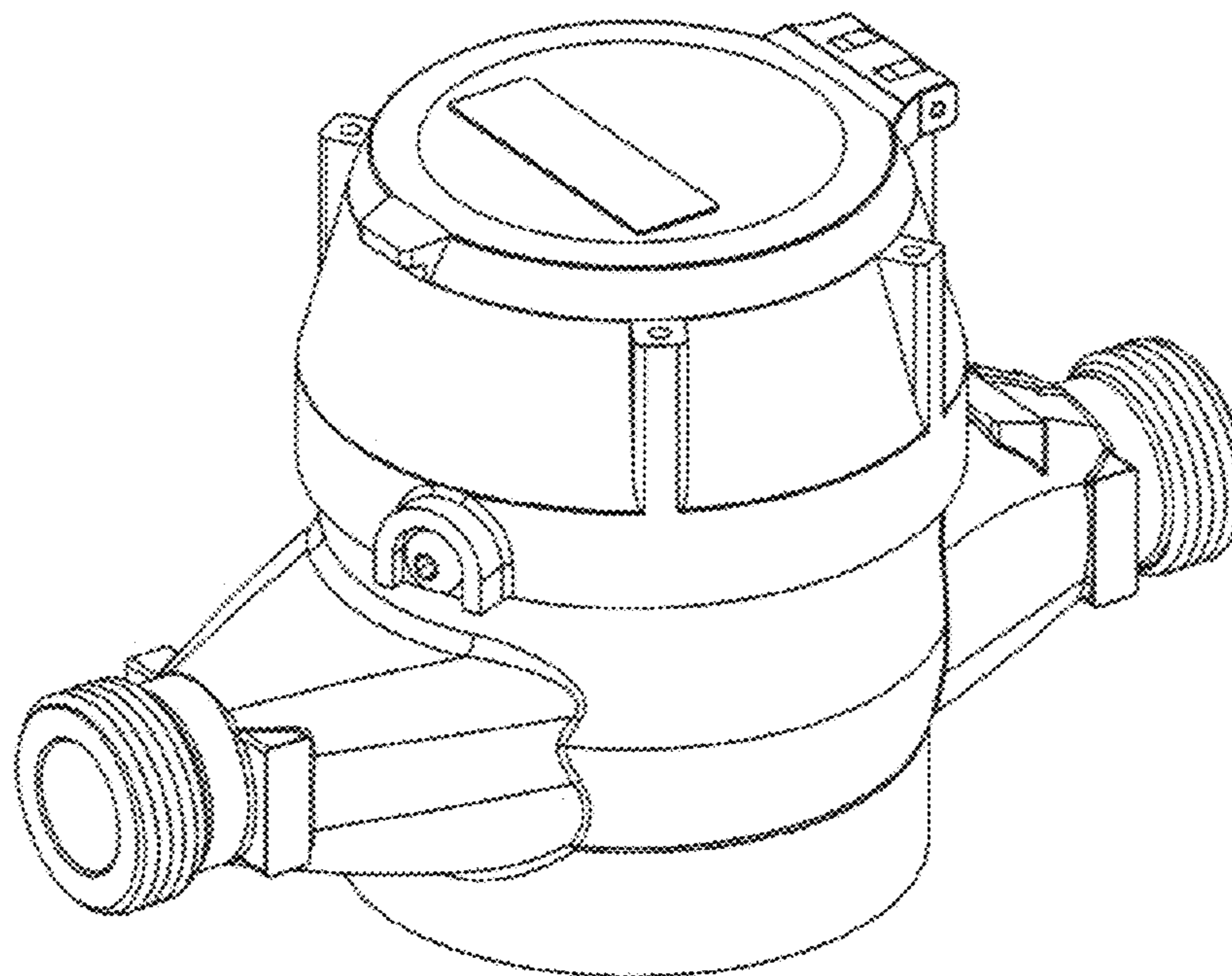
(57) **CLAIM**

The ornamental design for a water meter, as shown and described.

DESCRIPTION

FIG. 1 is a perspective view showing the front, top and right side of a water meter which forms my new design;
FIG. 2 is a front elevational view thereof;
FIG. 3 is a rear elevational view thereof;
FIG. 4 is a top plan view thereof;
FIG. 5 is a left side elevational view thereof;
FIG. 6 is a bottom plan view thereof; and,
FIG. 7 is a right side elevational view thereof.

1 Claim, 3 Drawing Sheets



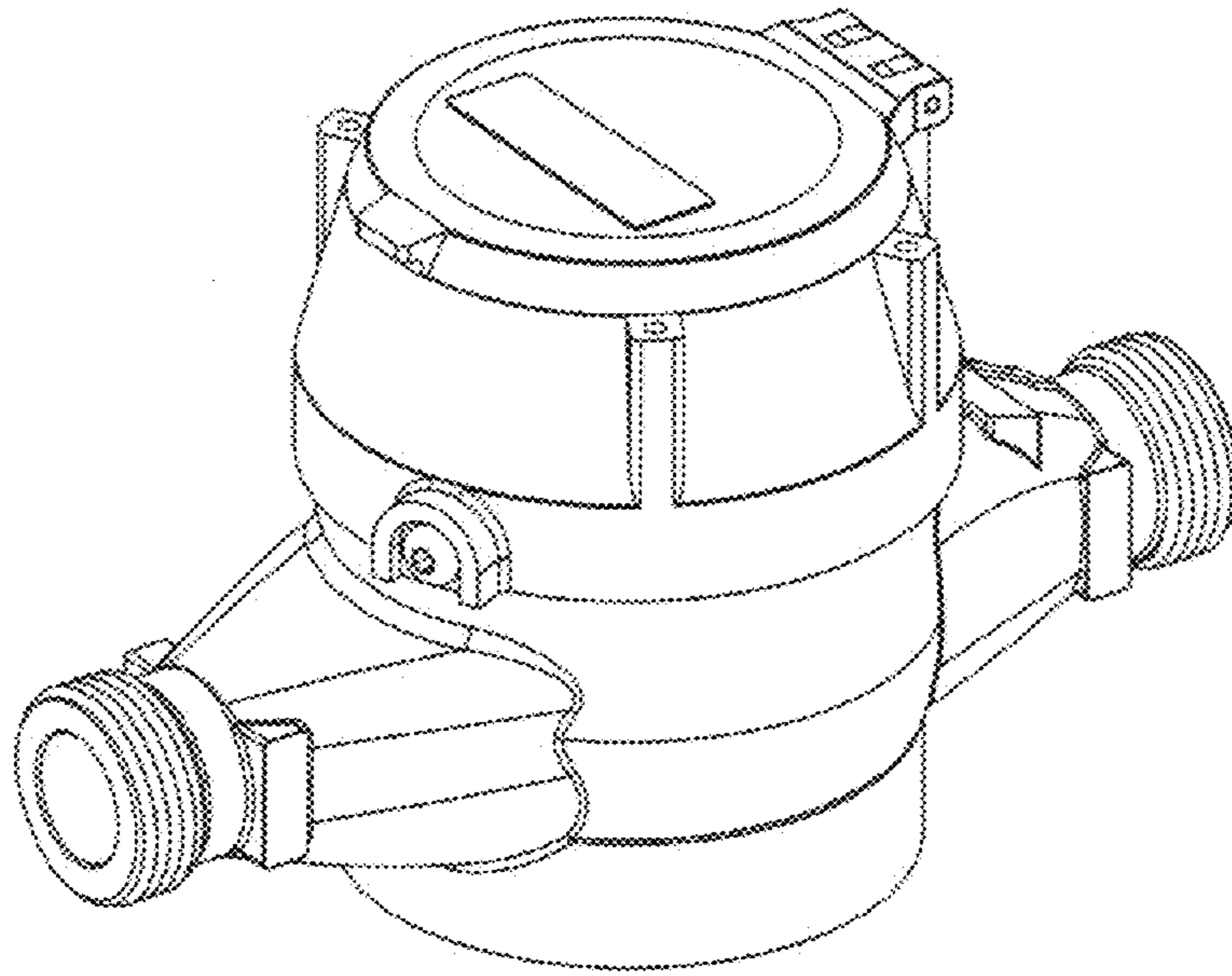


FIG. 1

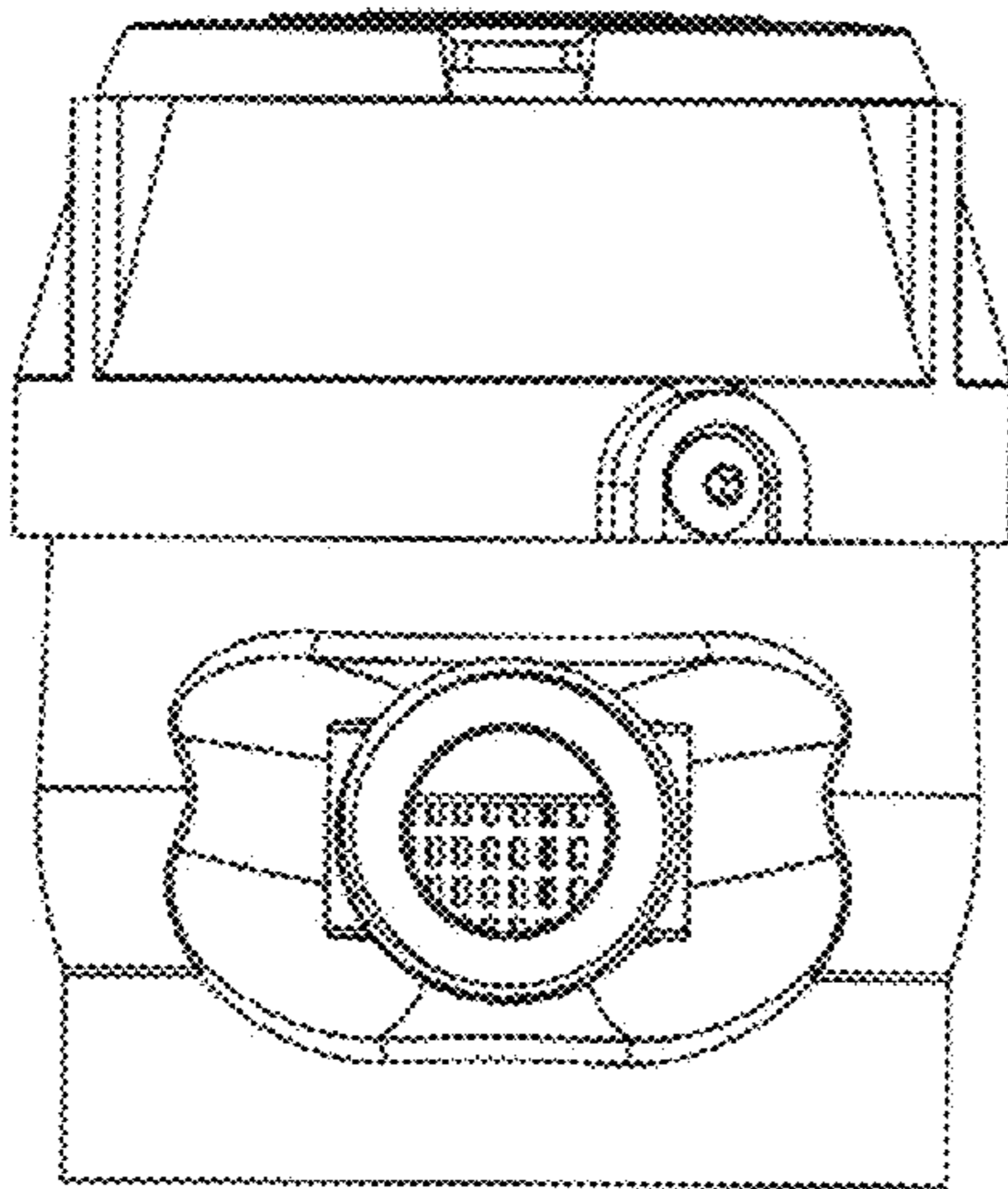


FIG. 2

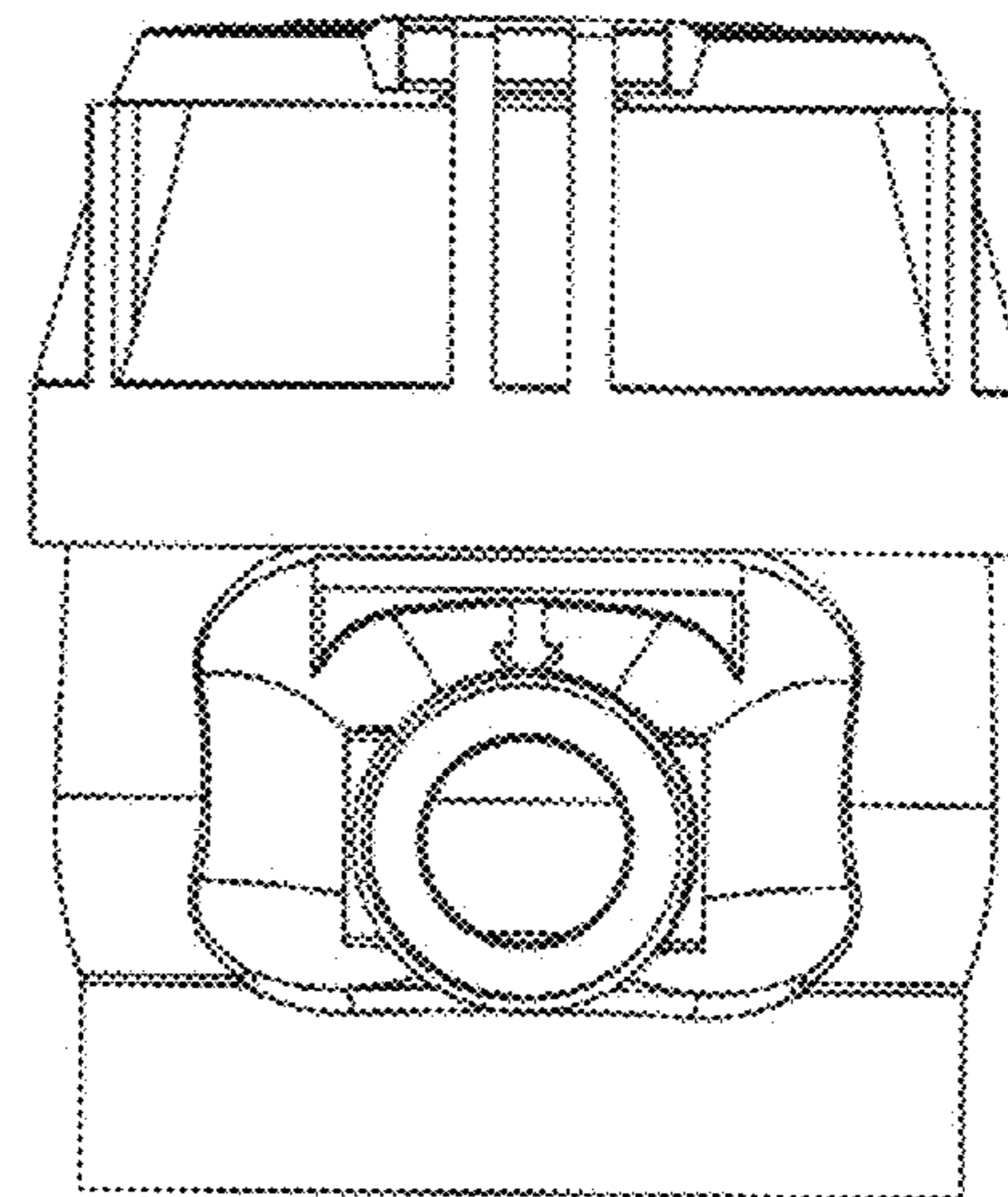


FIG. 3

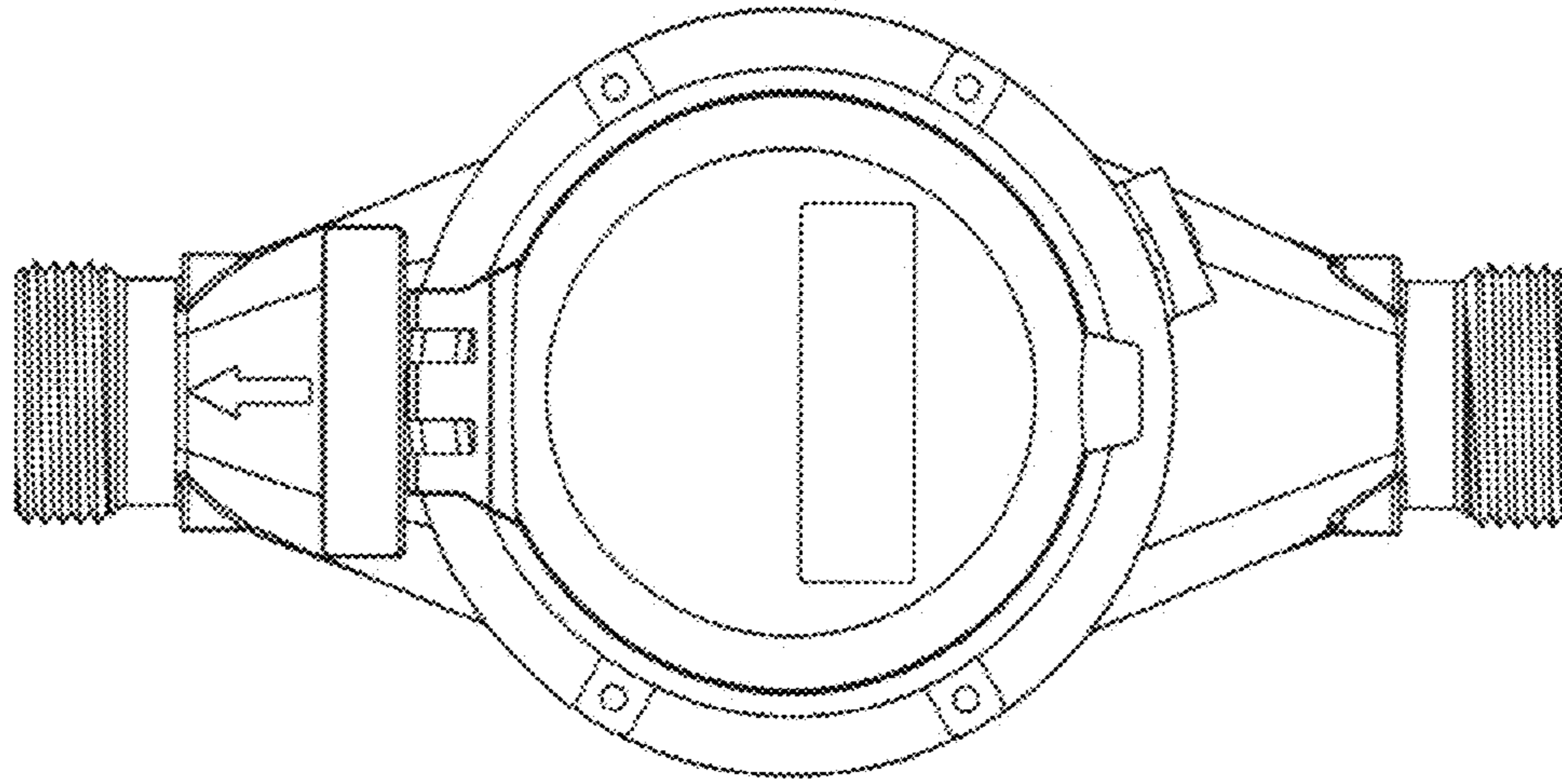


FIG. 4

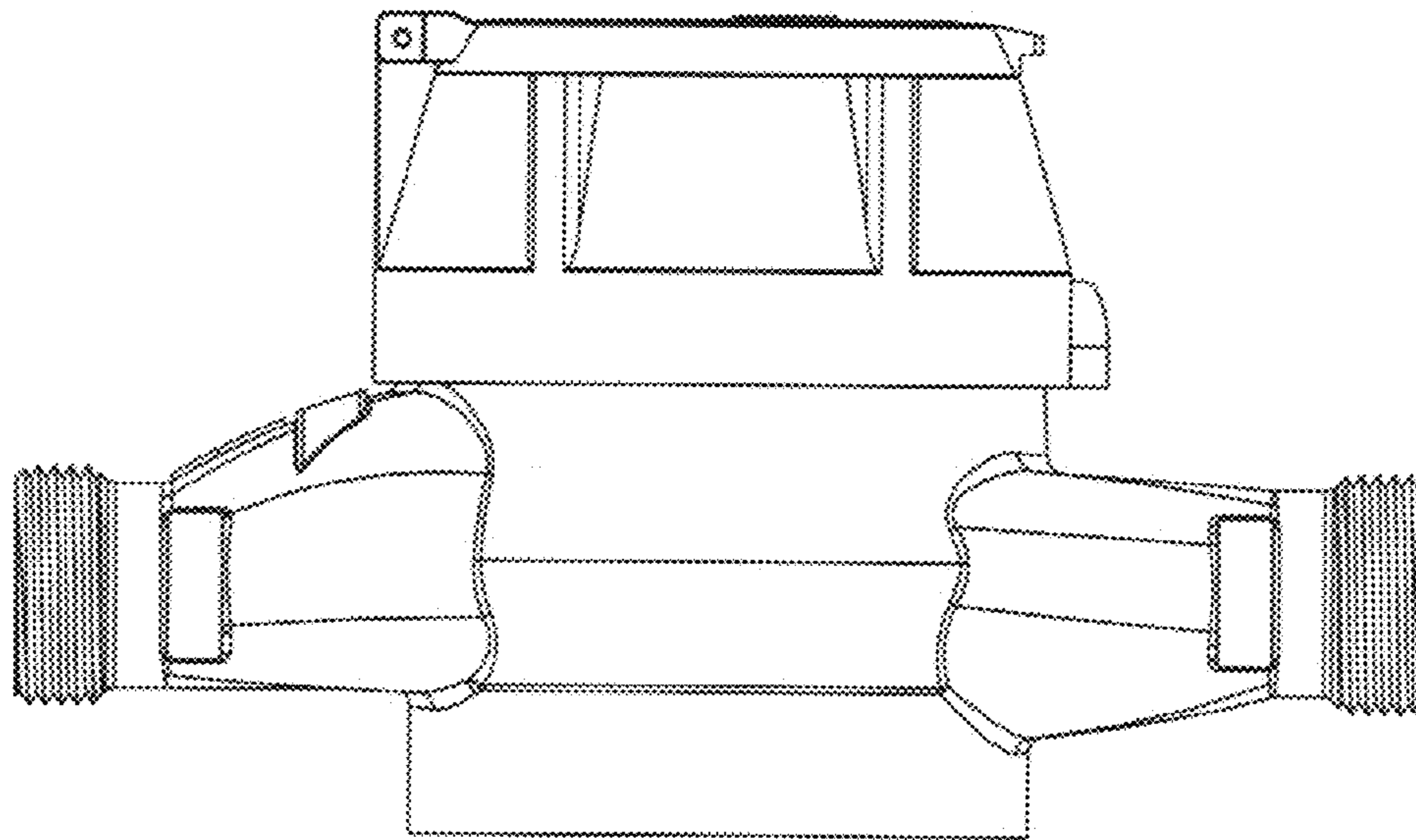


FIG. 5

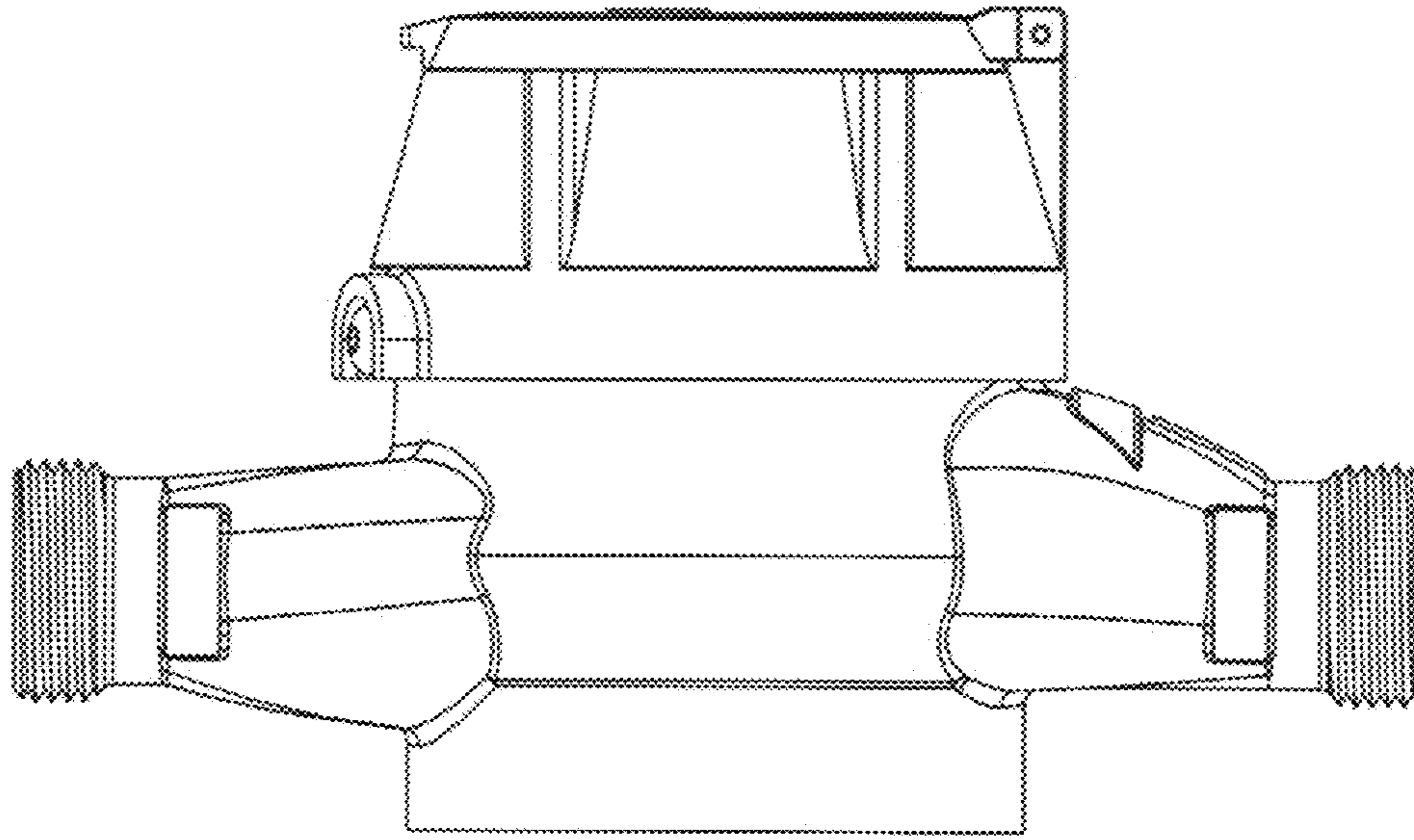


FIG. 6

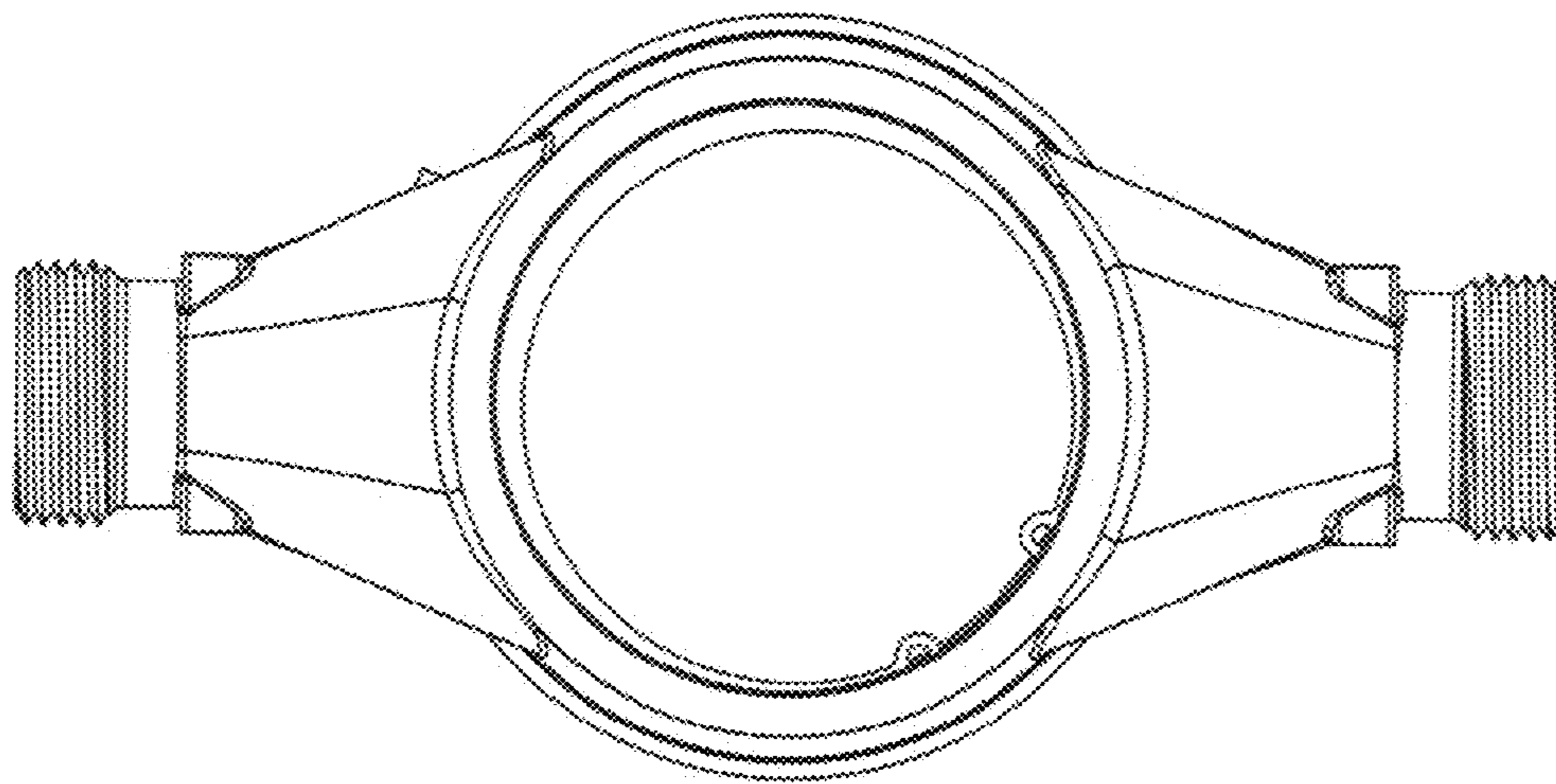


FIG. 7