



US00D680455S

(12) **United States Design Patent**  
**Jacobsen et al.**

(10) **Patent No.:** **US D680,455 S**

(45) **Date of Patent:** **\*\* Apr. 23, 2013**

(54) **DEVICE FOR MEASURING VELOCITY AND CONCENTRATION OF GASES**

73/861.04, 861.05, 861.06, 861.12, 861.23,  
861.26, 861.42, 861.95, 863.03, 863.12, 885.8;  
95/3, 110

See application file for complete search history.

(75) Inventors: **Larry Eugene Jacobsen**, Nibley, UT (US); **Ivan G. Bogoev**, Hyde Park, UT (US); **Antoine Benoit Louis Rousseau**, Amalga, UT (US); **Steven D. Sargent**, North Logan, UT (US)

(56) **References Cited**

U.S. PATENT DOCUMENTS

D665,283	S	*	8/2012	Nishimoto	.....	D10/81
D665,284	S	*	8/2012	Nishimoto	.....	D10/81
D665,681	S	*	8/2012	Nishimoto	.....	D10/81

\* cited by examiner

*Primary Examiner* — Antoine D Davis

(74) *Attorney, Agent, or Firm* — Maschoff Brennan

(73) Assignee: **Campbell Scientific, Inc.**, Logan, UT (US)

(\*\*) Term: **14 Years**

(21) Appl. No.: **29/406,837**

(22) Filed: **Nov. 18, 2011**

(51) **LOC (9) Cl.** ..... **10-04**

(52) **U.S. Cl.**  
USPC ..... **D10/81; D10/96; D10/97; D10/98**

(58) **Field of Classification Search** ..... D10/81, D10/96-98; 204/549; 209/156; 210/650, 210/87; 219/121.47; 250/338.5, 343, 356.1; 280/730.2, 731, 735, 736, 738; 324/306, 324/452, 464, 642, 671; 356/246, 27, 28, 356/28.5, 336; 336/162.3; 374/10; 376/250; 378/13; 422/211, 504; 423/579; 424/439; 427/2.14; 435/325, 7.21; 436/137; 454/61; 600/458, 532, 583; 604/365; 606/181; 62/628; 65/60.1; 701/1; 702/2, 45, 47, 49; 706/10, 706/52; 73/19.03, 195, 201, 204.11, 24.01, 73/32 A, 32 R, 335.06, 579, 589, 597, 61.54,

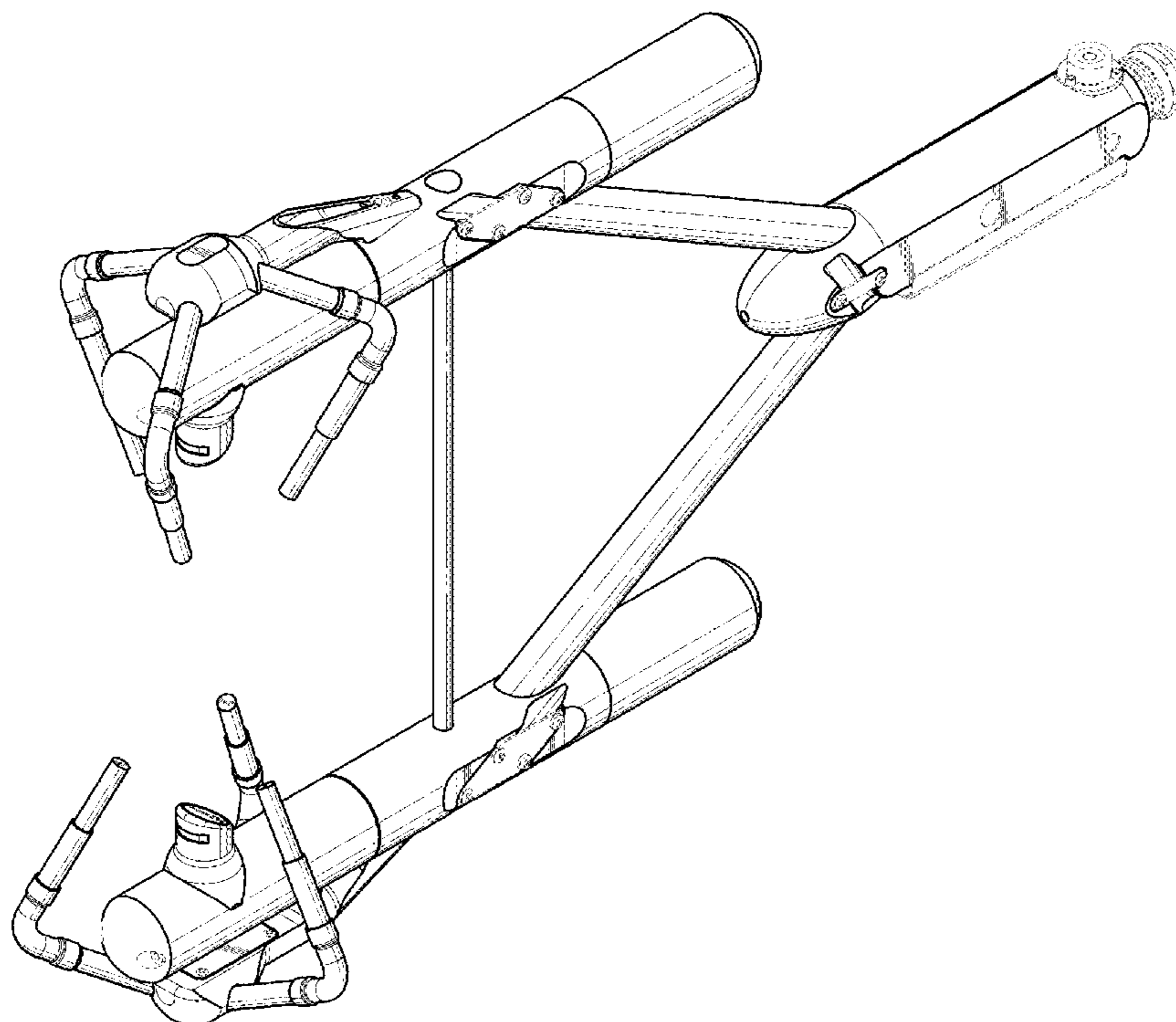
(57) **CLAIM**

The ornamental design for a device for measuring velocity and concentration of gases, as shown and described.

**DESCRIPTION**

FIG. 1 is a perspective view of a device for measuring velocity and concentration of gases showing our new design; FIG. 2 is a top view of the device shown in FIG. 1; FIG. 3 is a bottom view of the device shown in FIG. 1; FIG. 4 is a first side view of the device shown in FIG. 1; FIG. 5 is a second side view of the device shown in FIG. 1; FIG. 6 is a front view of the device shown in FIG. 1; and, FIG. 7 is a back view of the device shown in FIG. 1. The broken lines in FIGS. 1 through 7 indicate environmental structure only that forms no part of the claimed design.

**1 Claim, 5 Drawing Sheets**



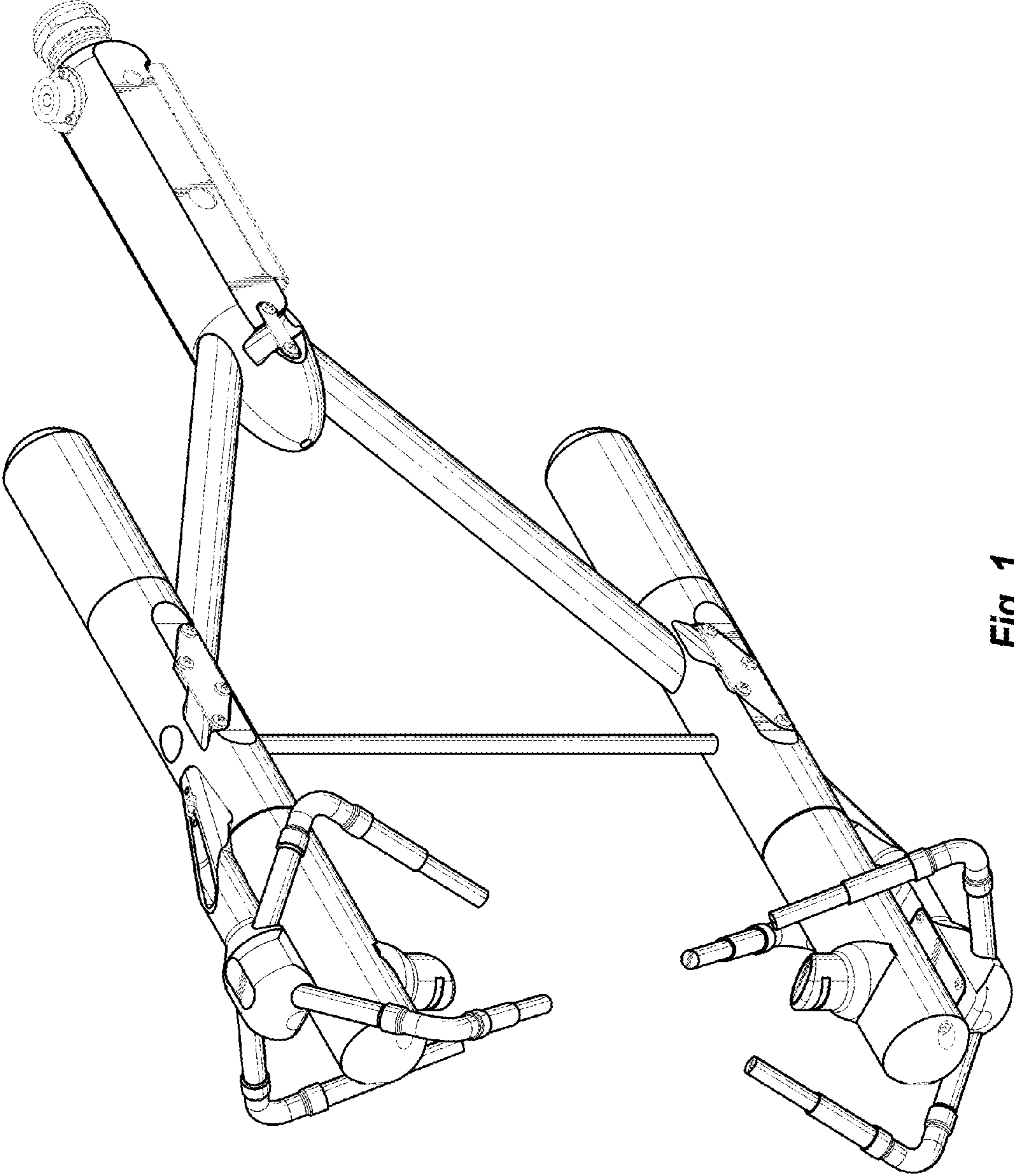


Fig. 1

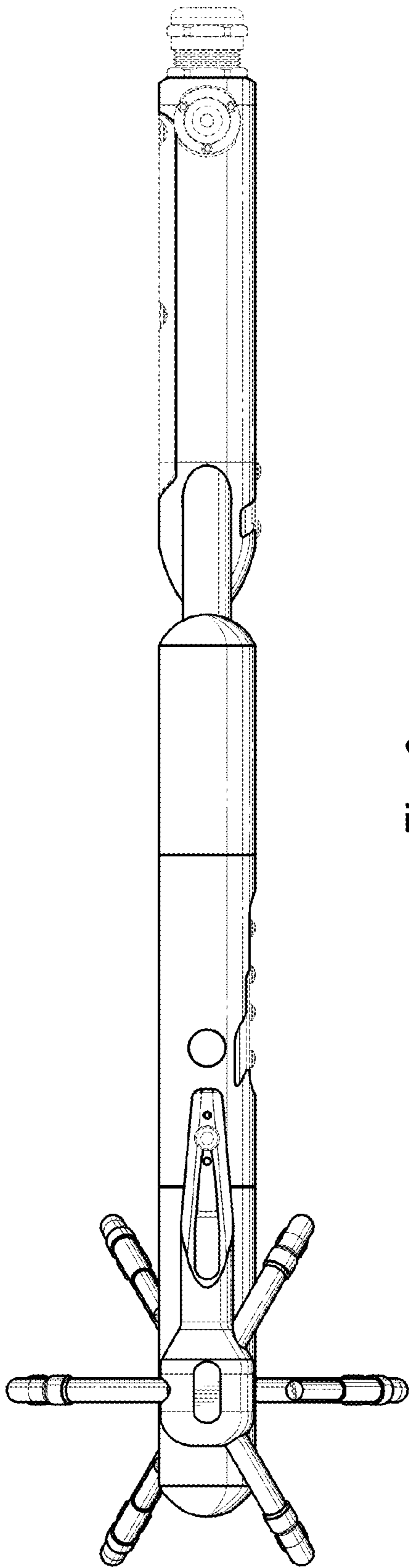


Fig. 2

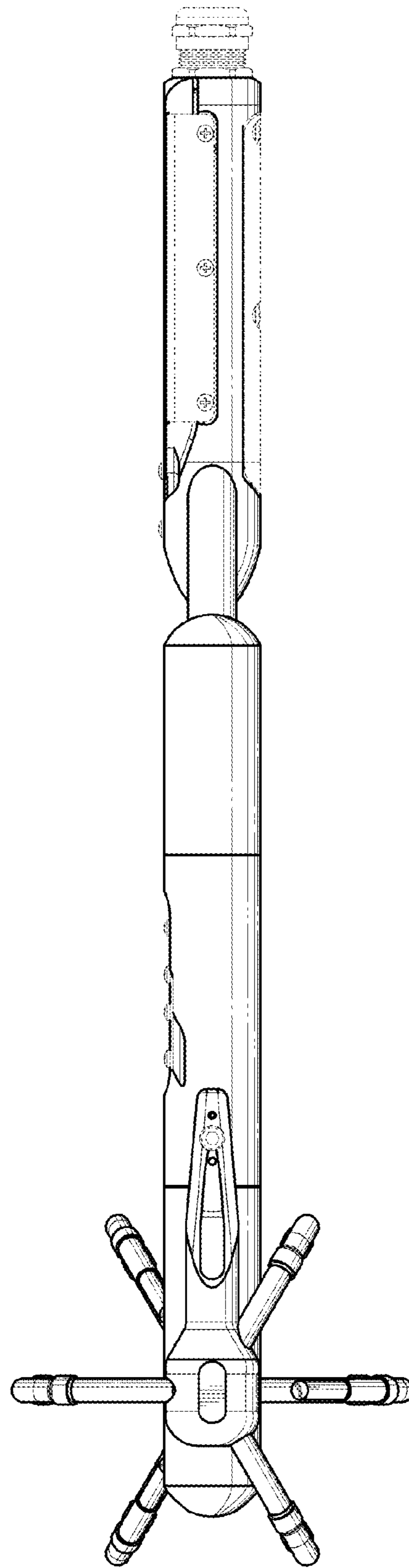


Fig. 3

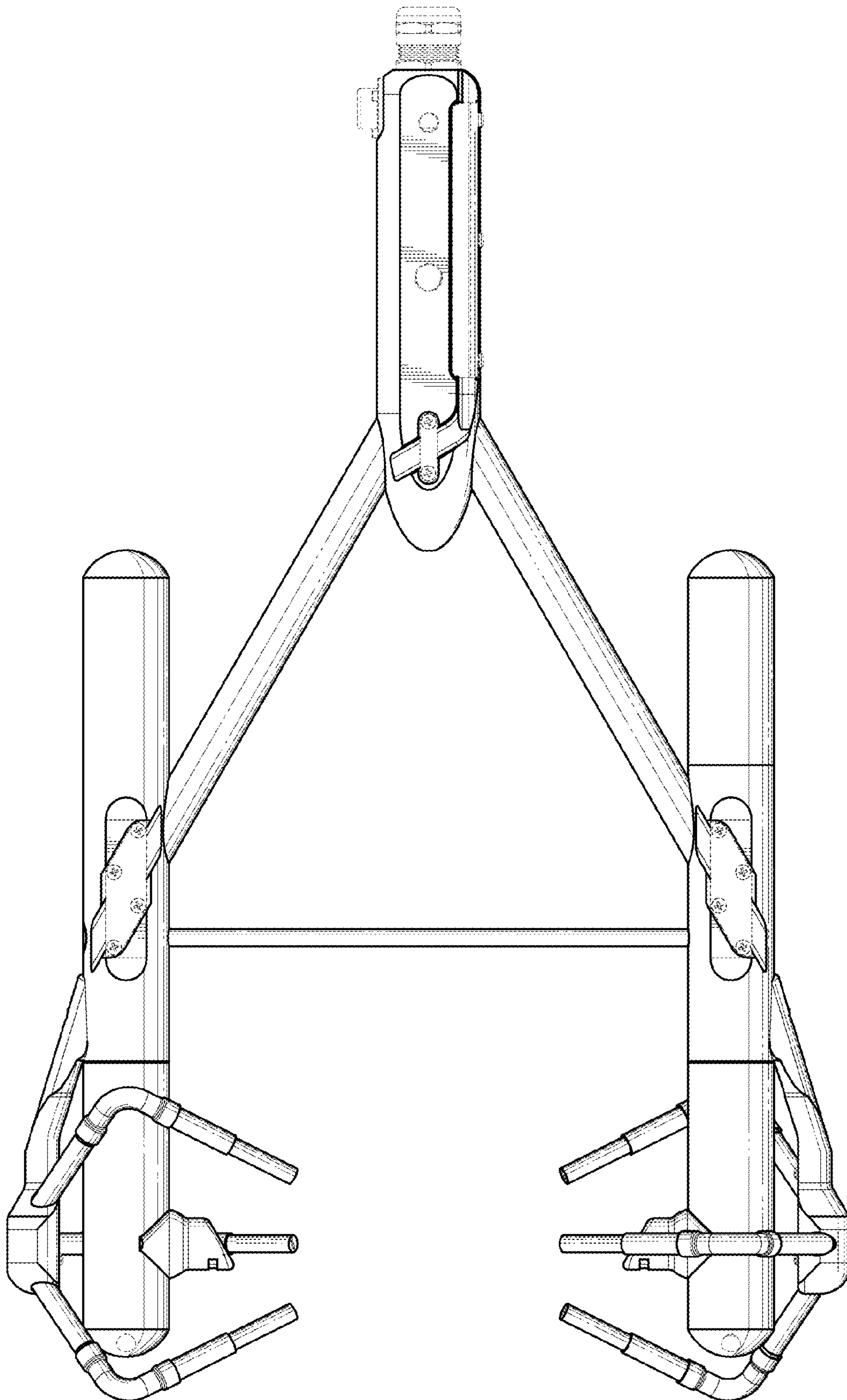


Fig. 4

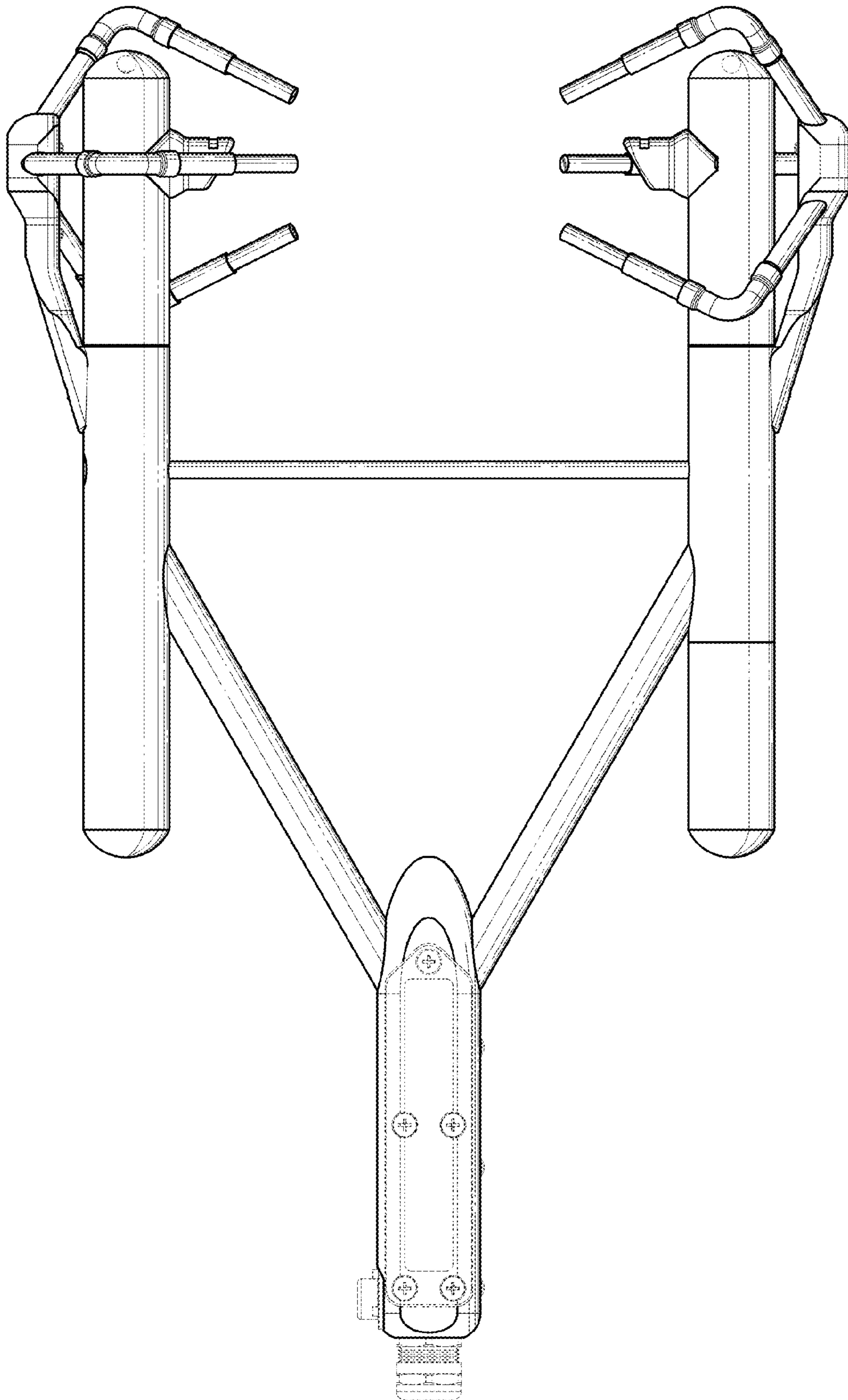


Fig. 5

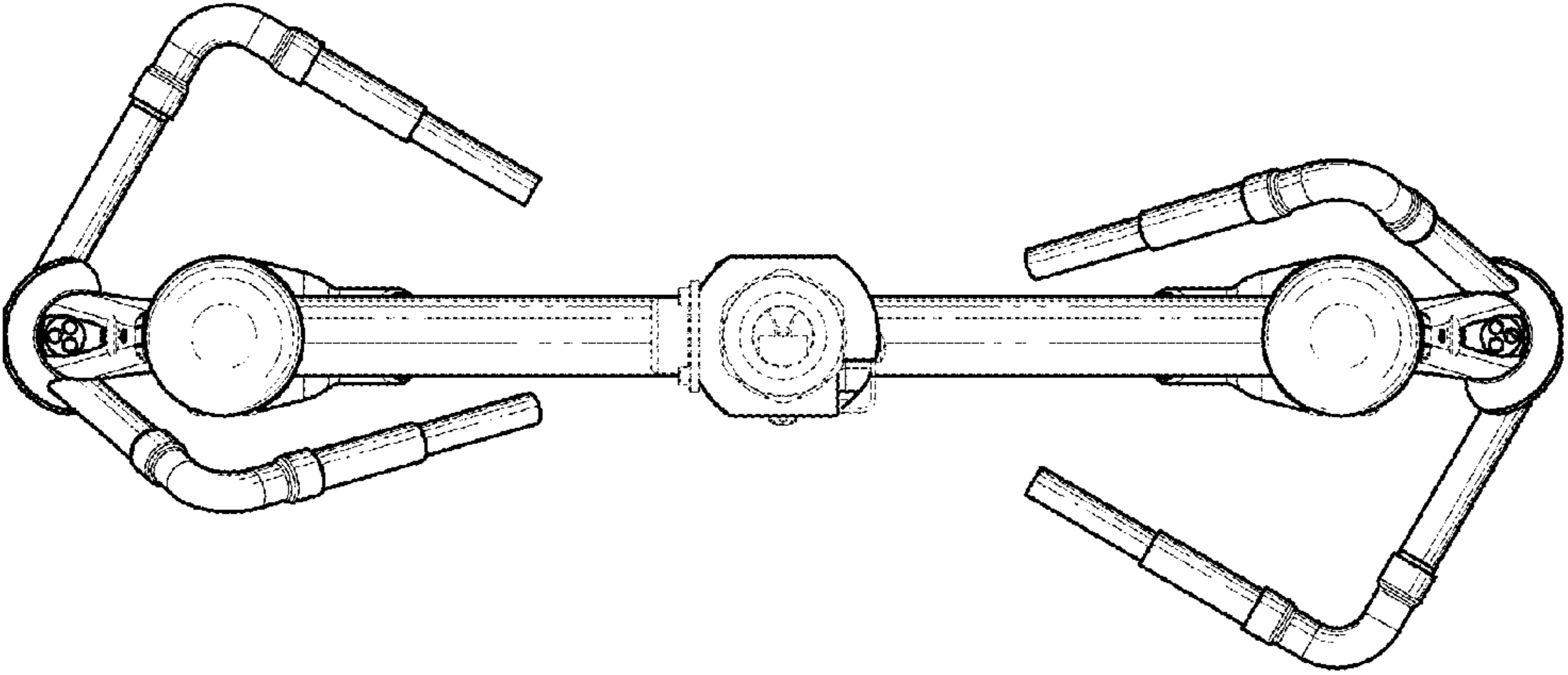


Fig. 7

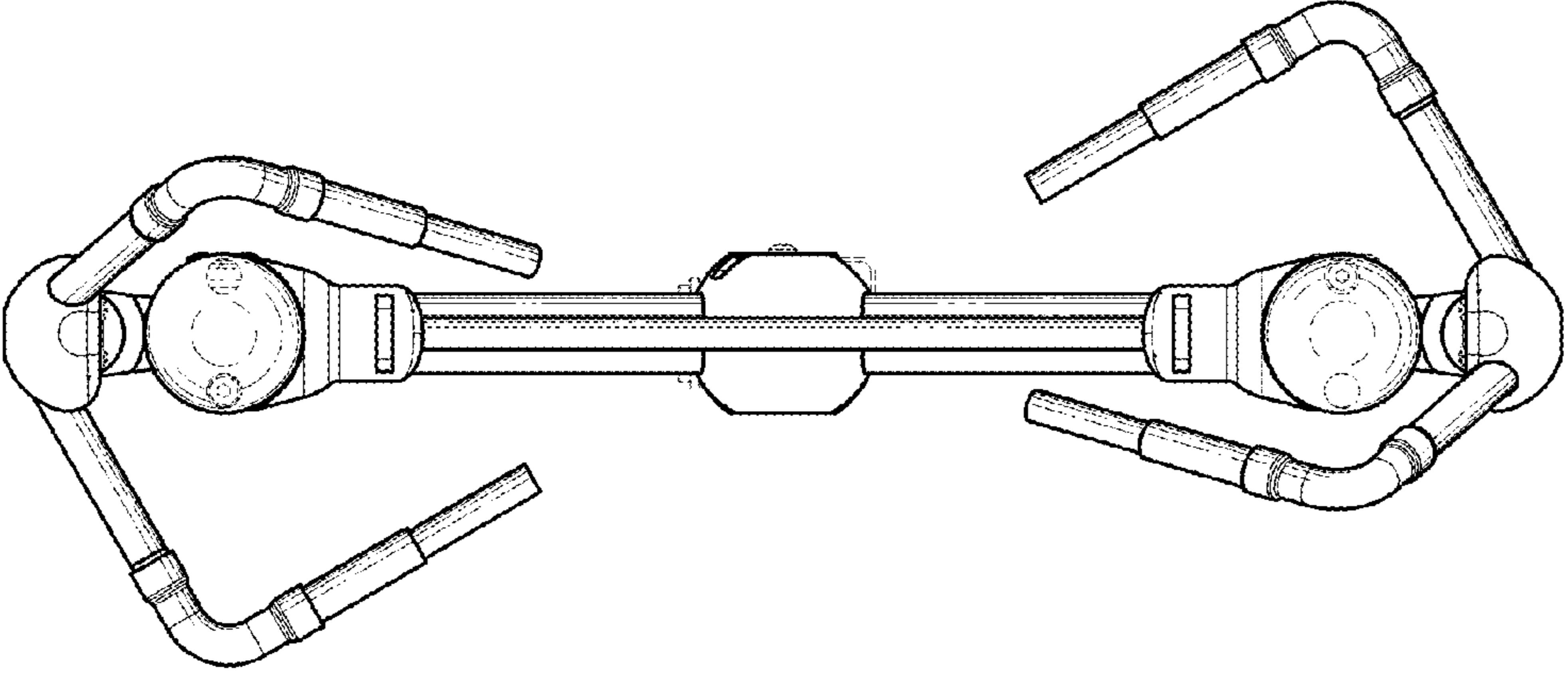


Fig. 6