



US00D680453S

(12) **United States Design Patent**
Urban et al.

(10) **Patent No.:** **US D680,453 S**

(45) **Date of Patent:** **** Apr. 23, 2013**

(54) **OPTICAL LEAK DETECTION INSTRUMENT**

(56) **References Cited**

(75) Inventors: **John P. Urban**, Binghamton, NY (US);
Sam Cucci, Binghamton, NY (US);
Jeremy Purdom, Binghamton, NY
(US); **Jared Vest**, Binghamton, NY
(US); **John Gosart**, Johnson City, NY
(US)

U.S. PATENT DOCUMENTS

D245,488 S * 8/1977 Pappas et al. D10/106.2
D435,923 S * 1/2001 Hiller et al. D26/63
2008/0011057 A1 * 1/2008 Spaolozzi et al. 73/40

* cited by examiner

(73) Assignee: **Photonix Technologies, Inc.**, Endicott,
NY (US)

Primary Examiner — George D Kirschbaum

(74) *Attorney, Agent, or Firm* — Mark Levy; Hinman,
Howard & Kattell, LLP

(**) Term: **14 Years**

(57) **CLAIM**

The ornamental design for a optical leak detection instru-
ment, as shown and described.

(21) Appl. No.: **29/422,410**

DESCRIPTION

(22) Filed: **May 21, 2012**

(51) **LOC (9) Cl.** **10-04**

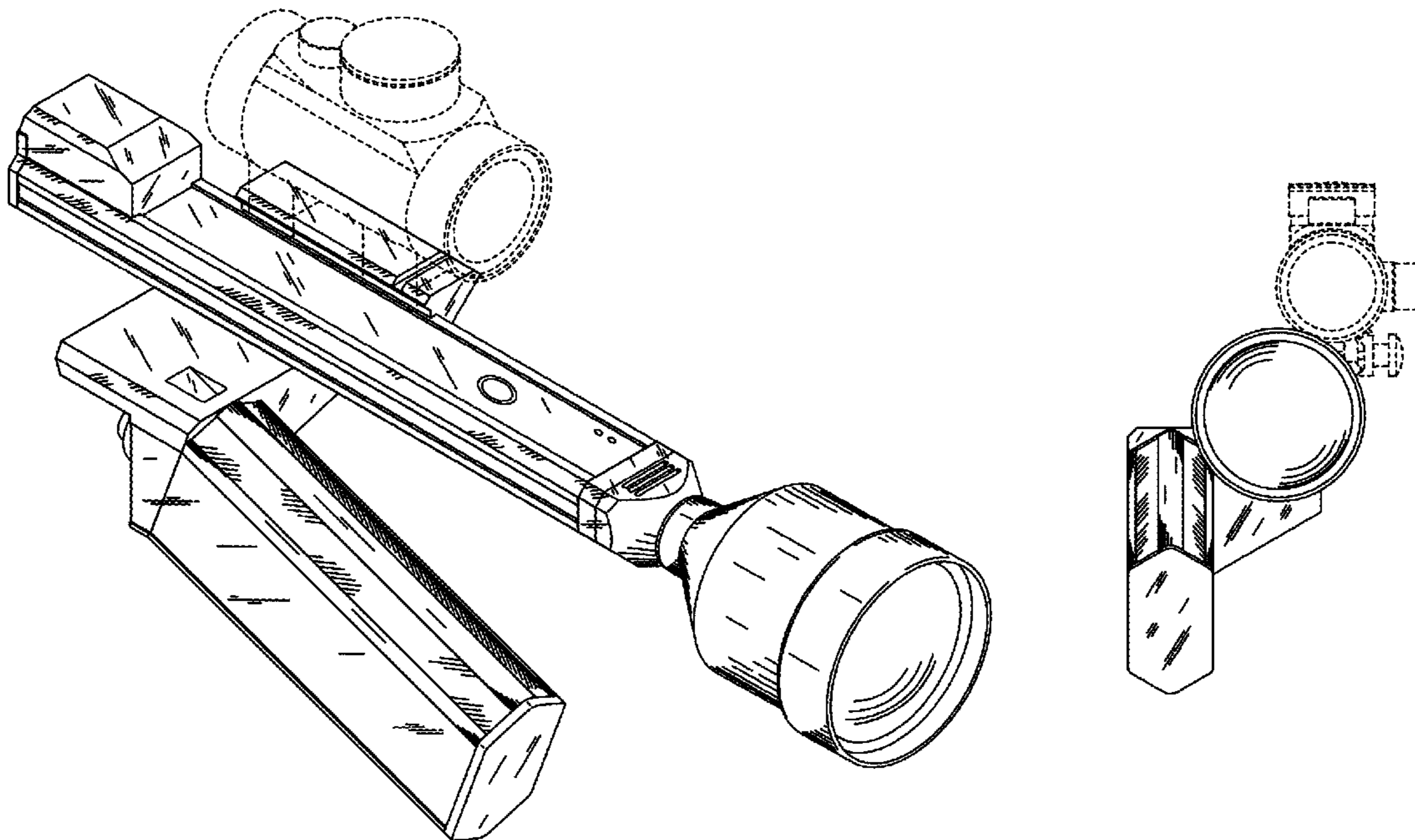
(52) **U.S. Cl.**
USPC **D10/78**

(58) **Field of Classification Search** D10/104.1,
D10/106.1–106.7, 78; D26/63; 73/40; 340/20,
340/693.1, 628, 531, 540, 555, 558, 571,
340/556, 632, 640

FIG. 1 is a perspective view of an optical leak detection
instrument, showing the new design;
FIG. 2 is a front view thereof;
FIG. 3 is a rear view thereof;
FIG. 4 is a left view thereof;
FIG. 5 is a right view thereof;
FIG. 6 is a top view thereof; and,
FIG. 7 is a bottom view thereof.

See application file for complete search history.

1 Claim, 4 Drawing Sheets



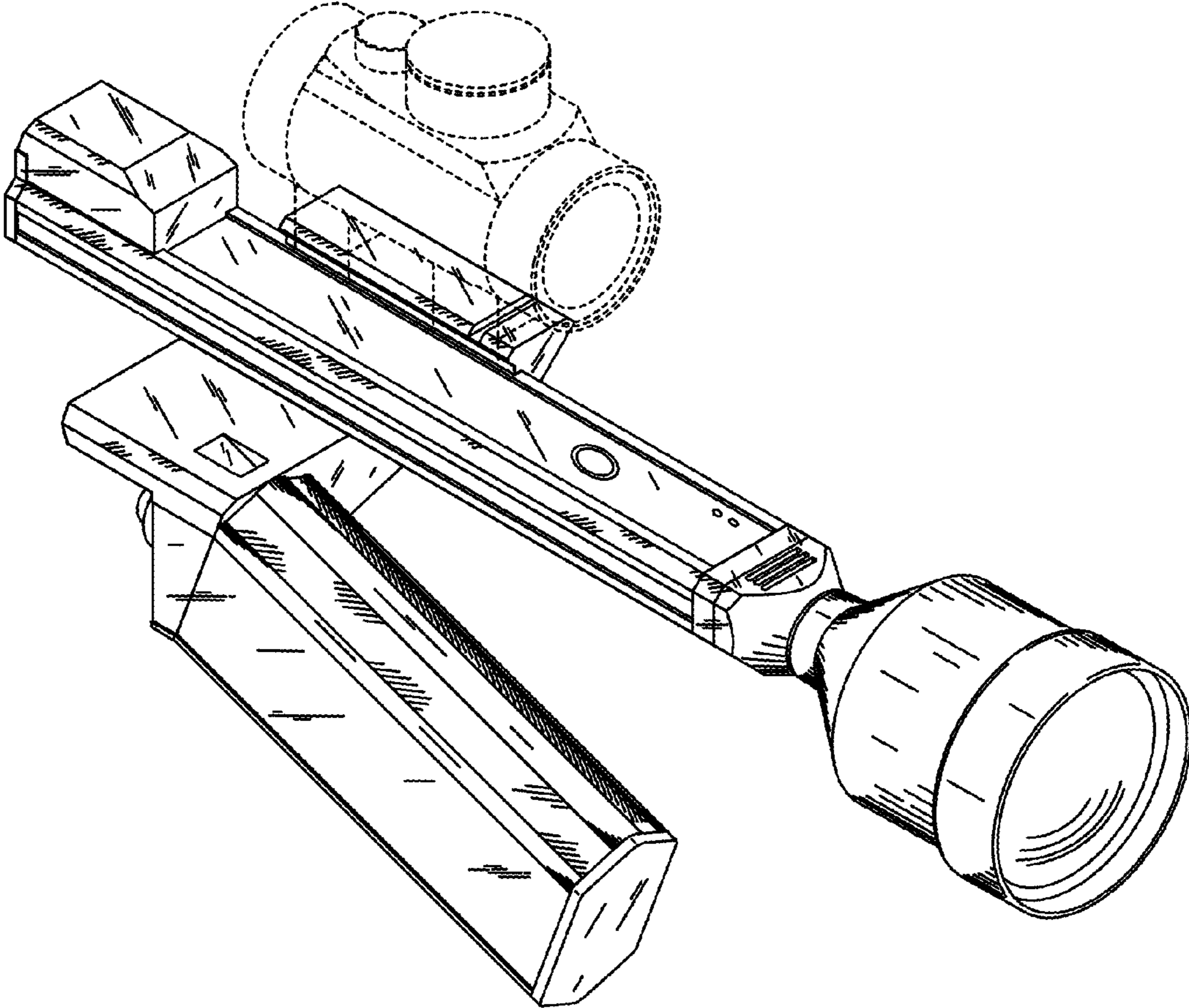


Figure 1

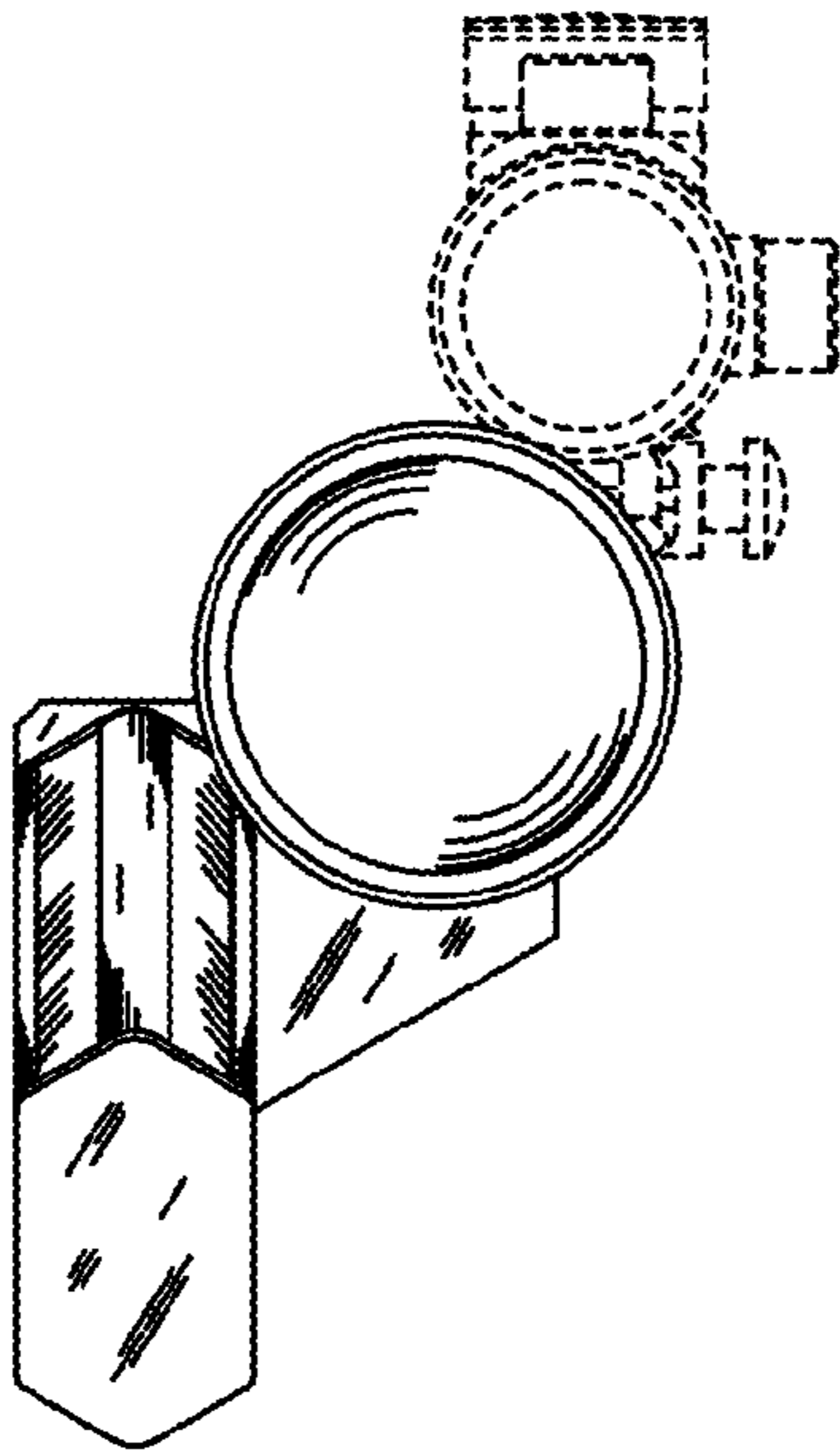


Figure 2

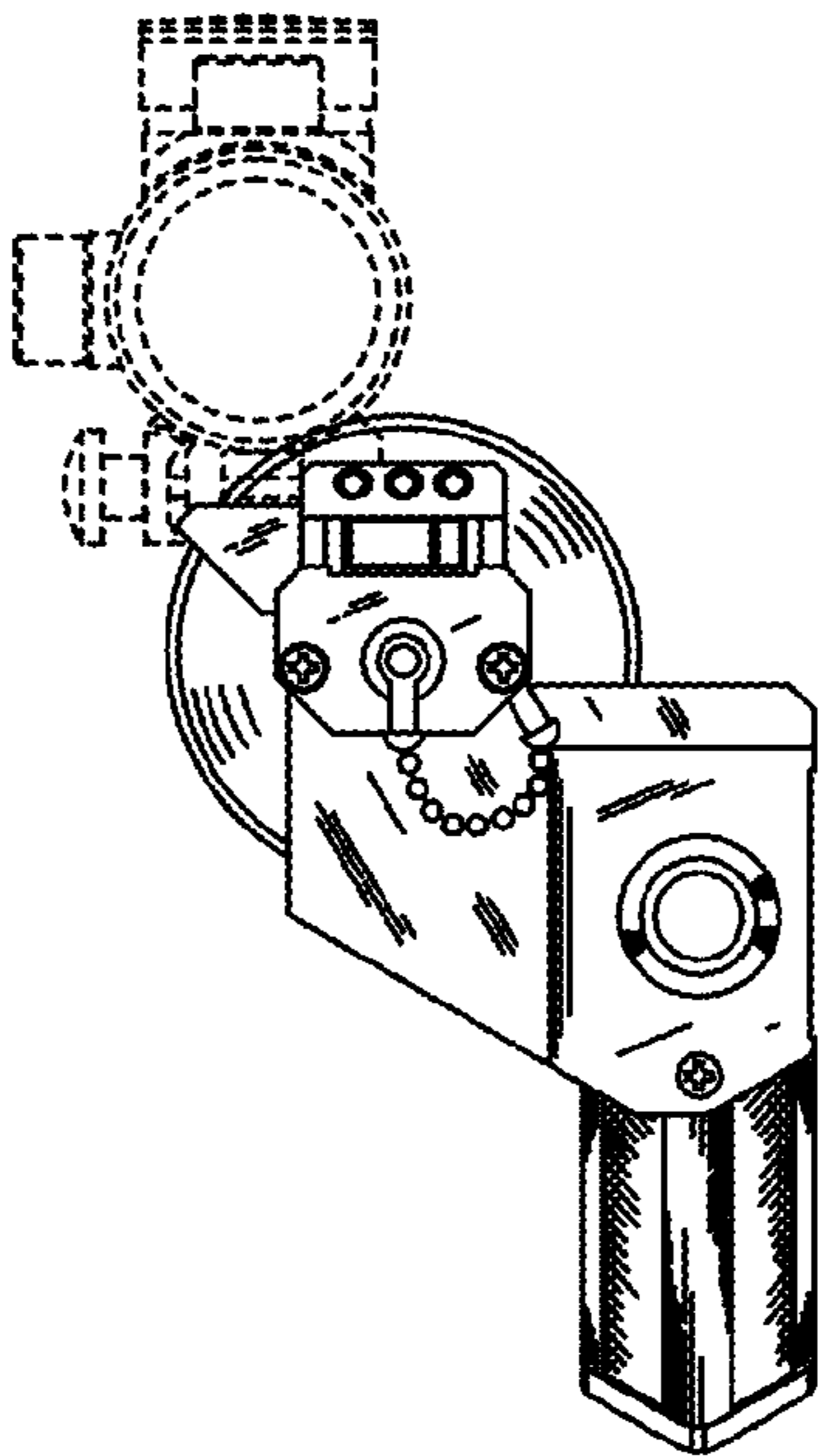


Figure 3

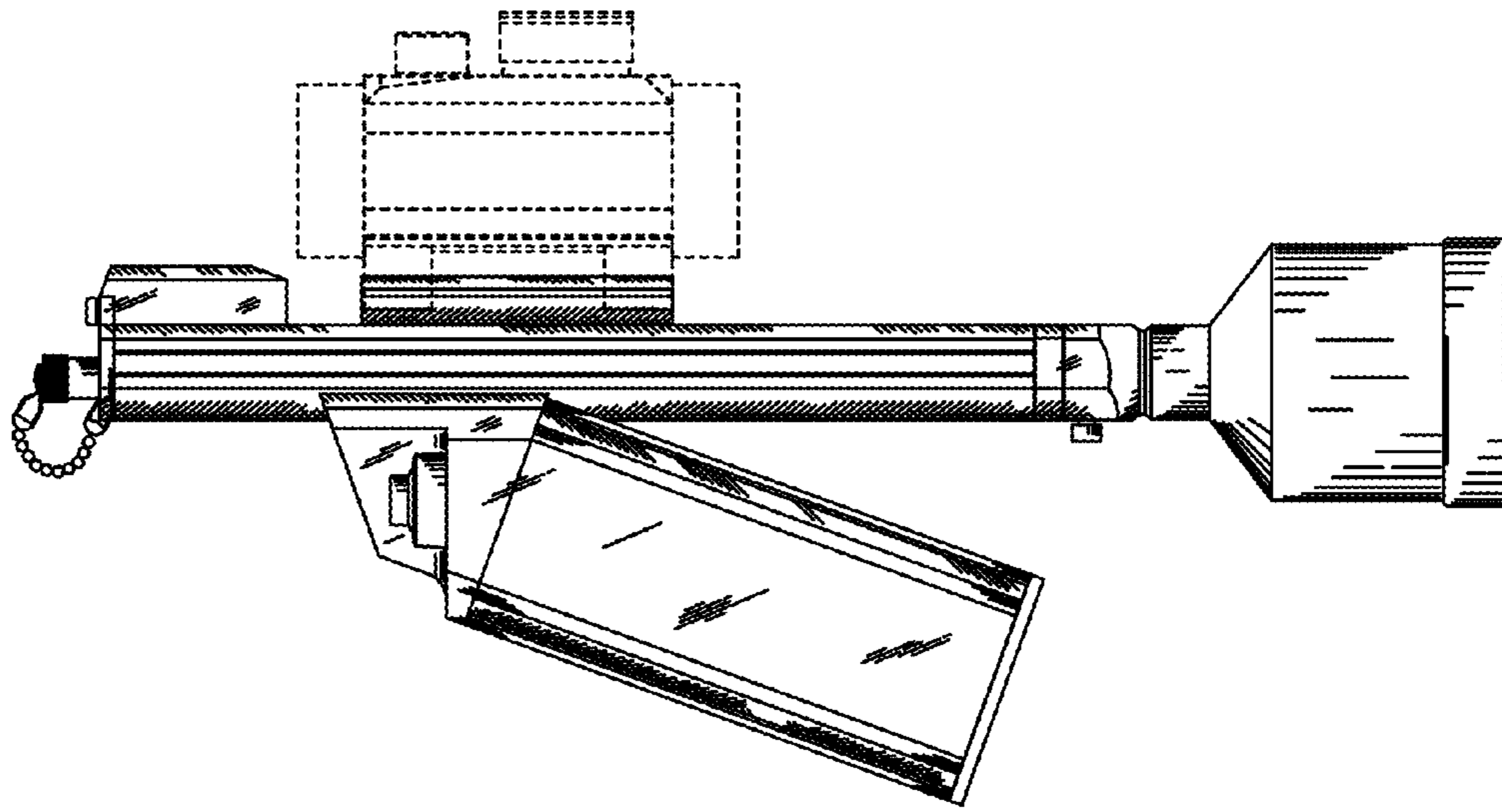


Figure 4

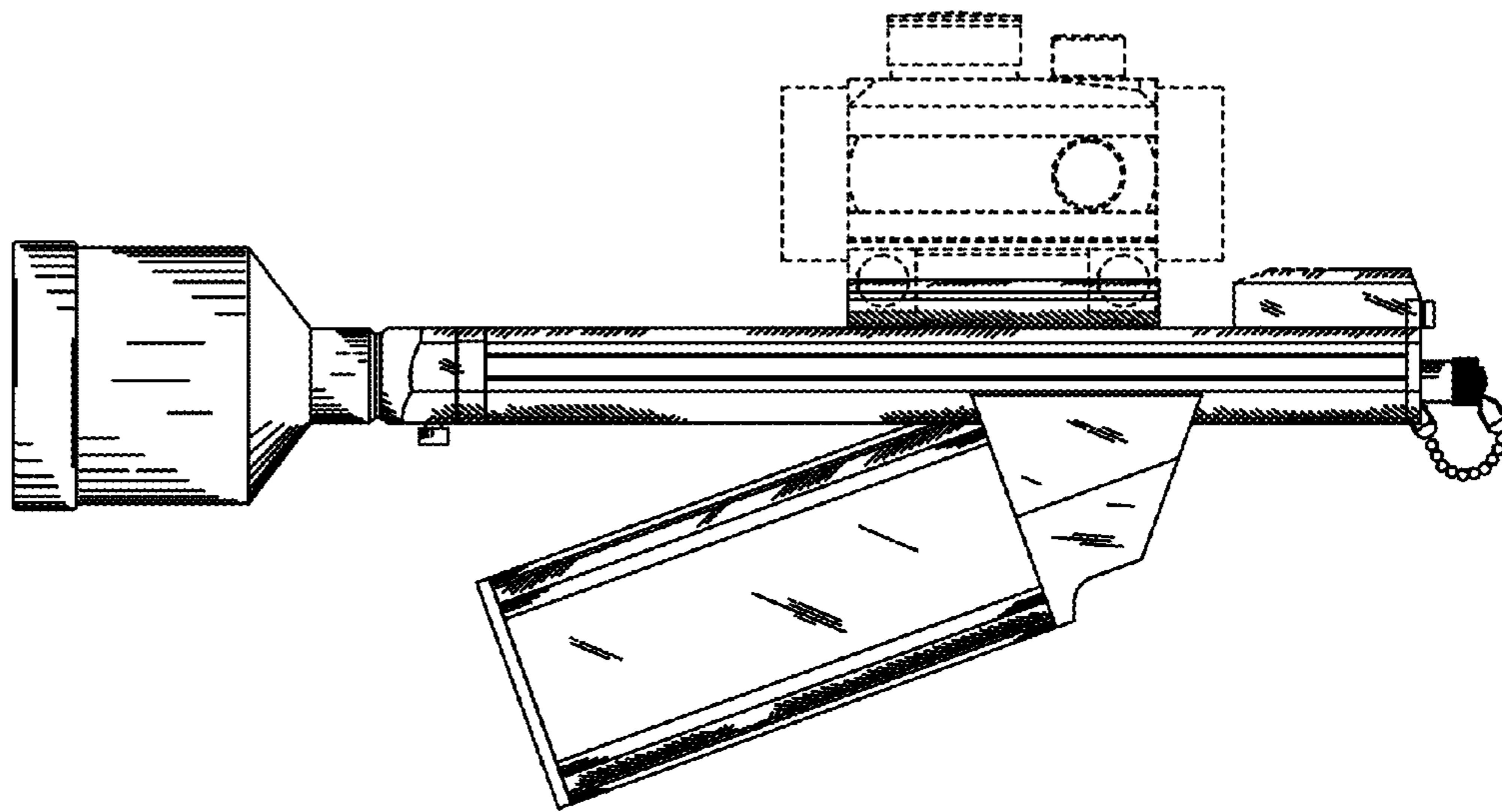


Figure 5

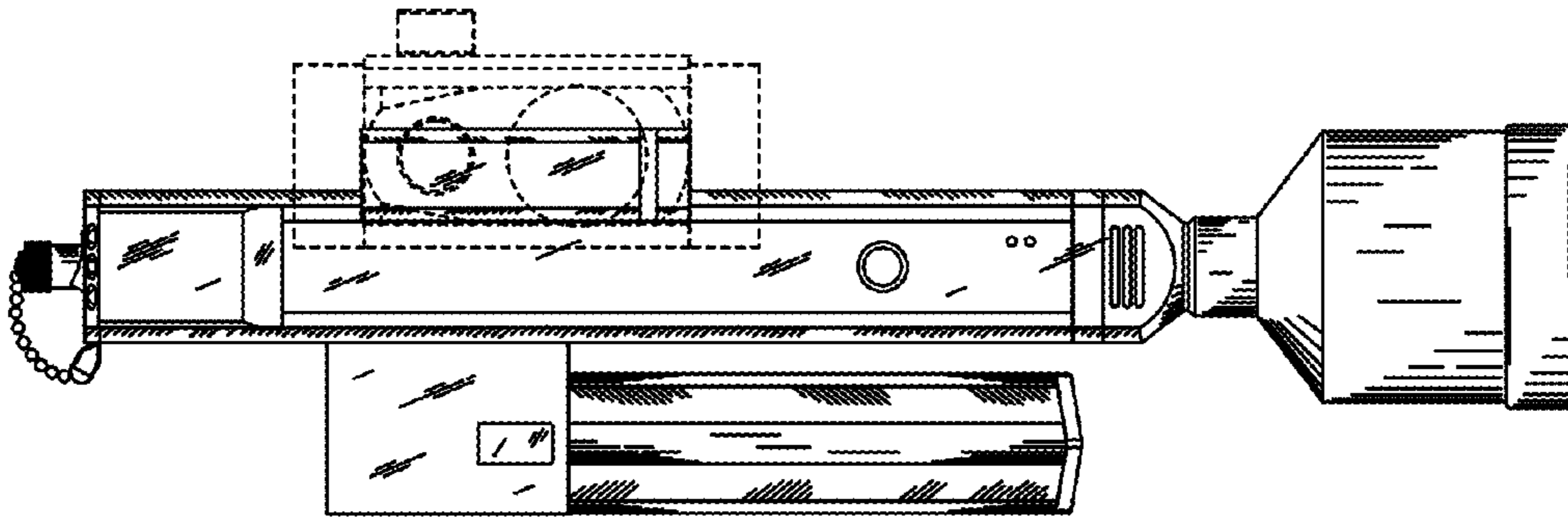


Figure 6

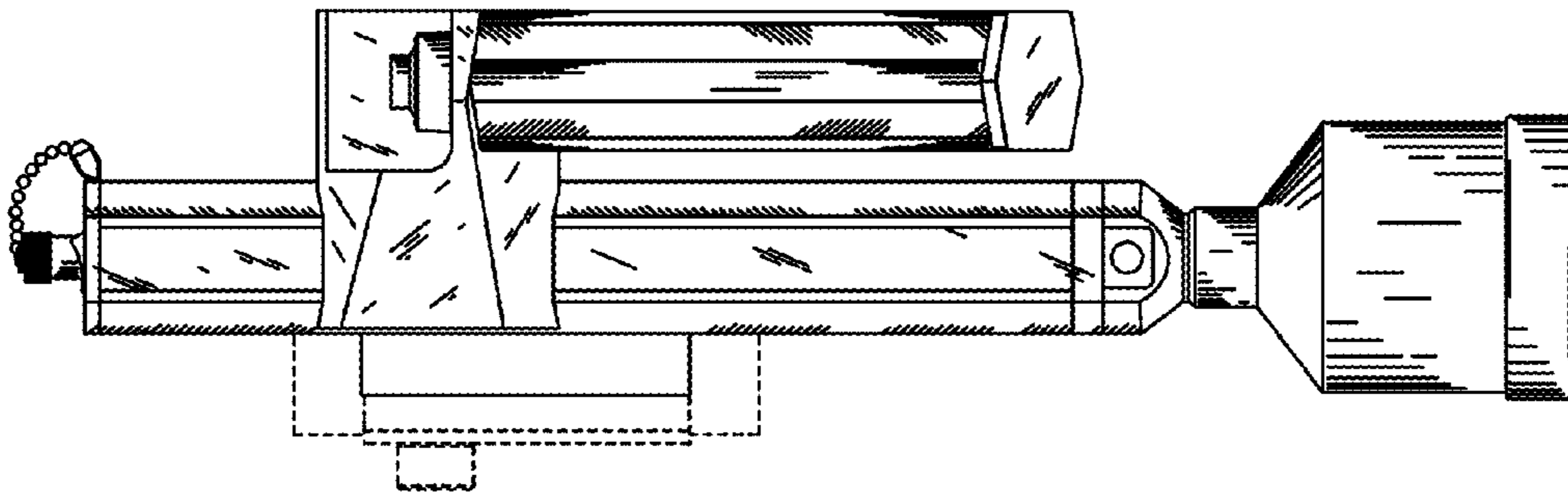


Figure 7