



US00D680452S

(12) **United States Design Patent**
Bianco

(10) **Patent No.:** **US D680,452 S**

(45) **Date of Patent:** **** Apr. 23, 2013**

(54) **TESTER FOR ELECTRIC VEHICLE SERVICE EQUIPMENT**

(75) Inventor: **James S. Bianco**, Suffield, CT (US)

(73) Assignee: **Control Module, Inc.**, Enfield, CT (US)

(**) Term: **14 Years**

(21) Appl. No.: **29/402,776**

(22) Filed: **Sep. 27, 2011**

(51) **LOC (9) Cl.** **10-04**

(52) **U.S. Cl.**
USPC **D10/78**

(58) **Field of Classification Search** D24/107,
D24/158, 165-169, 186, 188, 232; D10/78;
D14/149, 151, 168, 253, 341, 371, 374-375;
600/309, 316, 322, 365, 368, 483-485, 490-492,
600/495, 500-501, 504, 513, 549; 436/168-169,
436/183; 455/404.1; 379/428.4, 441, 446,
379/454-455; D13/168; 701/29, 33, 36;
702/182, 183

See application file for complete search history.

(56) **References Cited**

U.S. PATENT DOCUMENTS

D444,091 S * 6/2001 Furnidge D10/99
7,248,954 B2 * 7/2007 Chinnadurai et al. 701/32.7
D668,566 S * 10/2012 Dunkin D10/78
D668,567 S * 10/2012 Dunkin et al. D10/78

* cited by examiner

Primary Examiner — Philip S Hyder

Assistant Examiner — Susan E Krakower

(74) *Attorney, Agent, or Firm* — Alix, Yale & Ristas, LLP

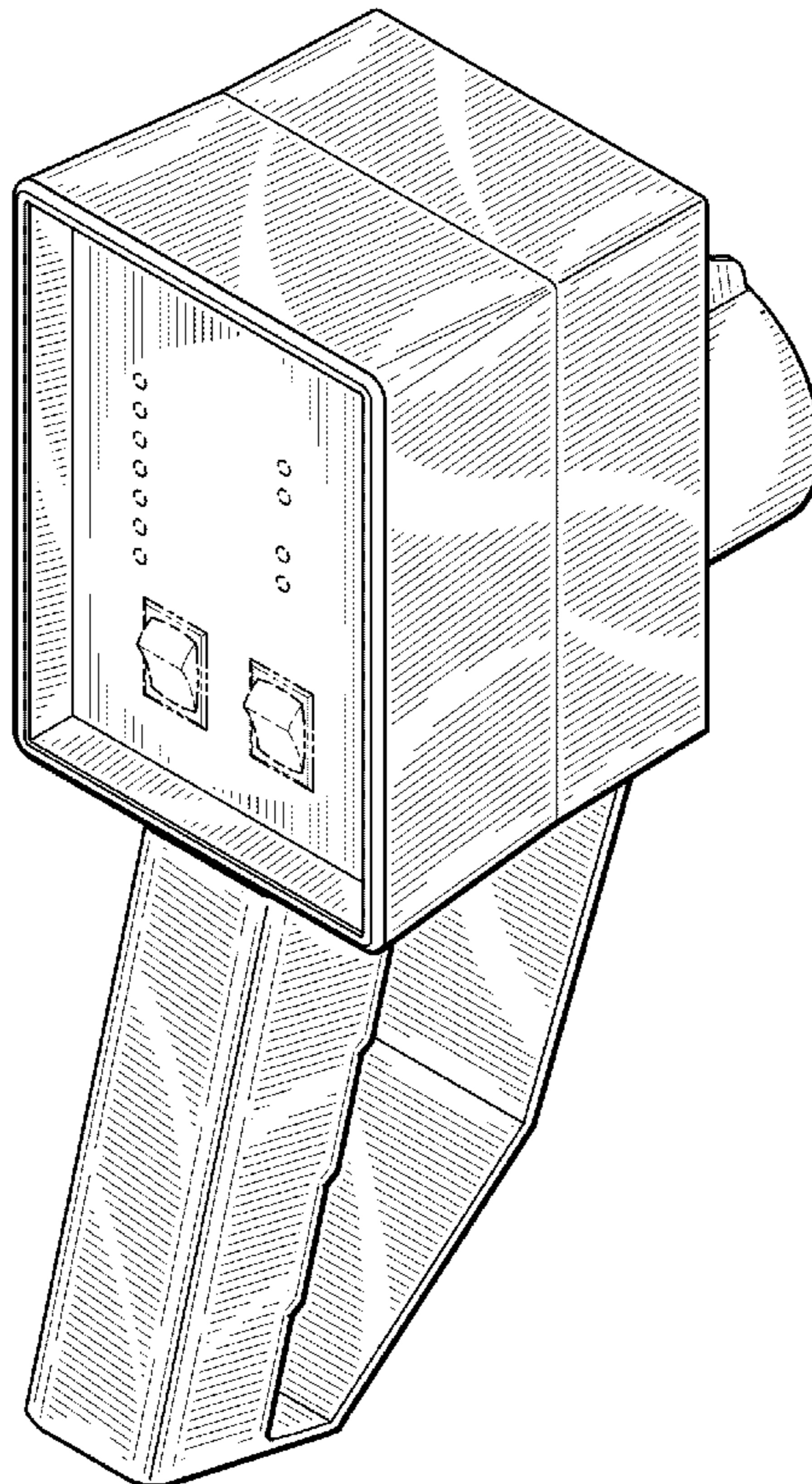
(57) **CLAIM**

The ornamental design for the tester for electric vehicle service equipment, as shown and described.

DESCRIPTION

FIG. 1 is a generally frontal perspective view of a tester for electric vehicle service equipment showing my new design; FIG. 2 is a generally rear perspective view thereof; FIG. 3 is a front view thereof; FIG. 4 is a rear view thereof; FIG. 5 is a right side view thereof; FIG. 6 is a left side view thereof; FIG. 7 is a top plan view thereof; and, FIG. 8 is a bottom plan view thereof. The broken lines in the drawings illustrate unclaimed portions of the tester for electric vehicle service equipment and form no part of the claimed design.

1 Claim, 4 Drawing Sheets



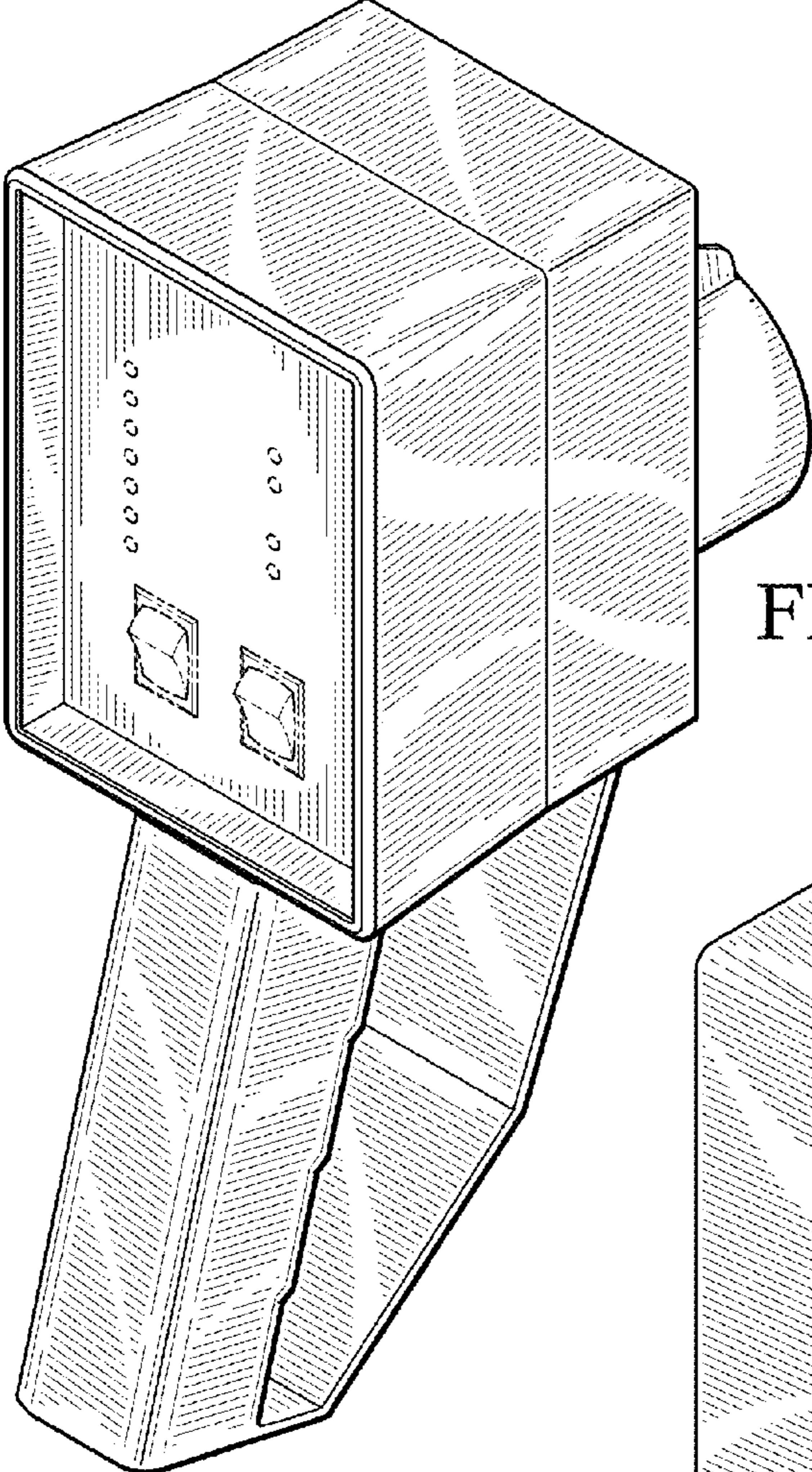


FIG. 1

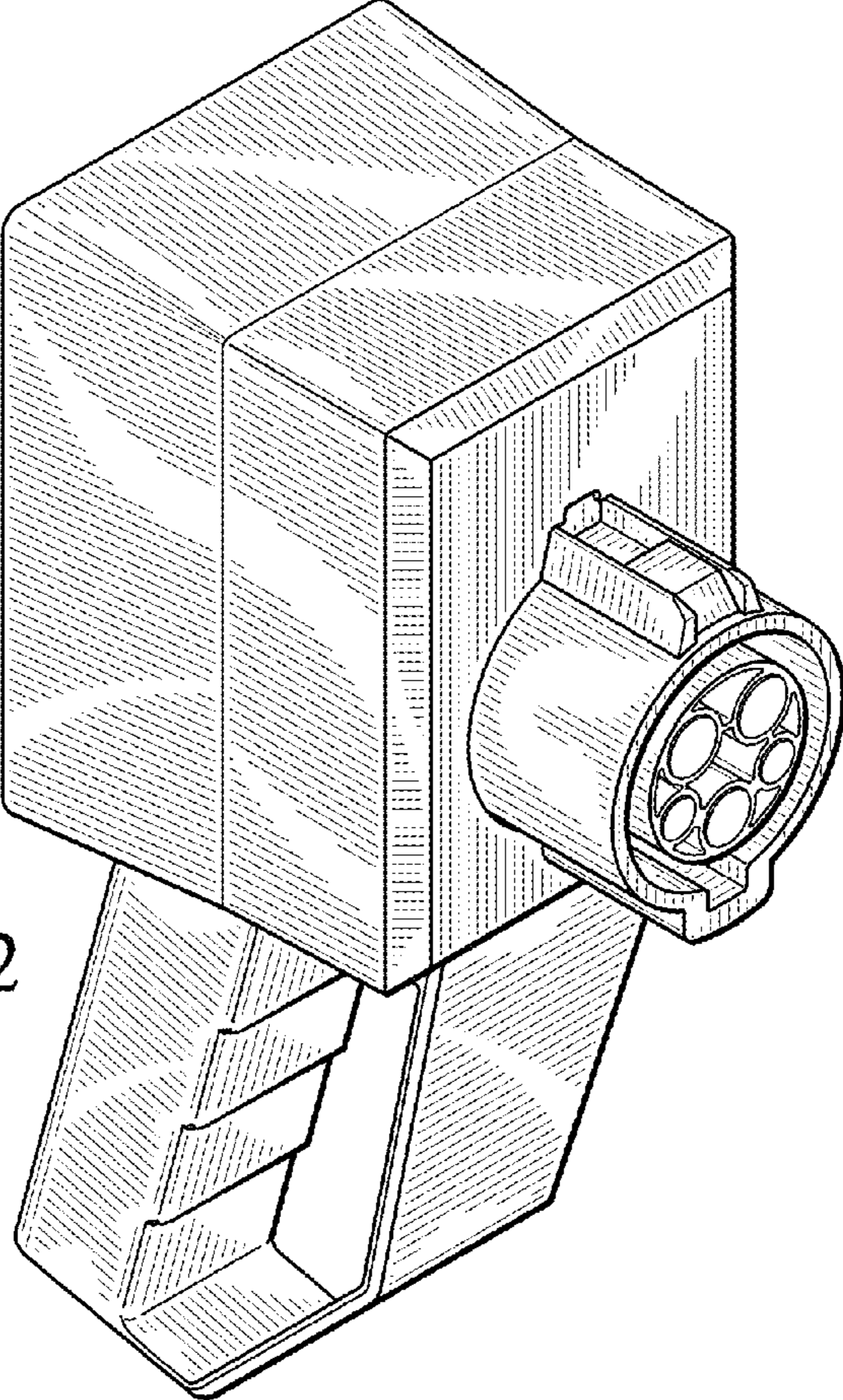


FIG. 2

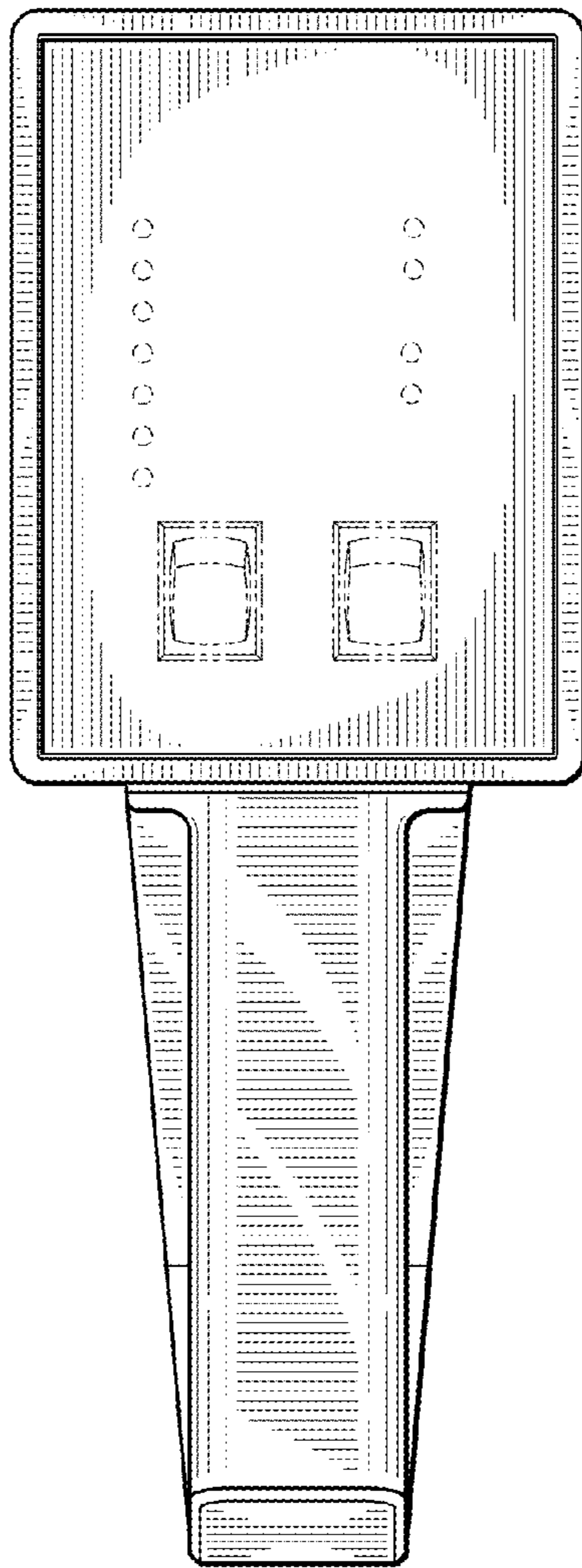


FIG. 3

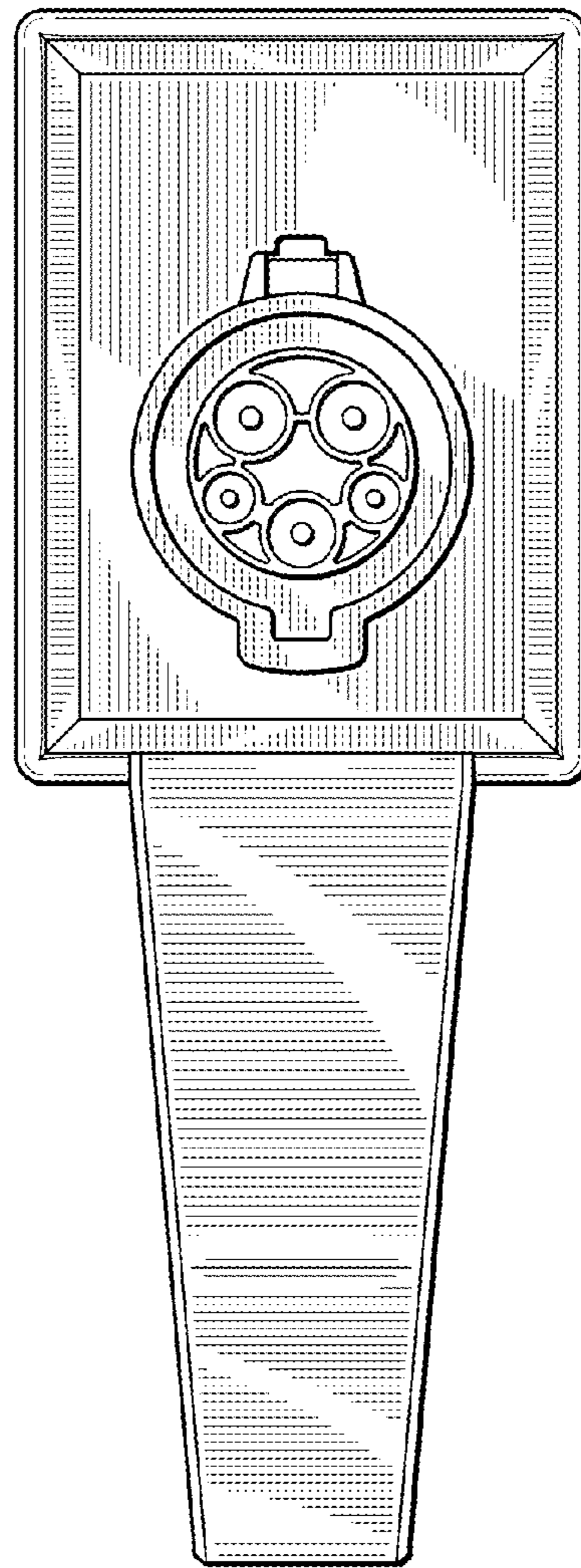


FIG. 4

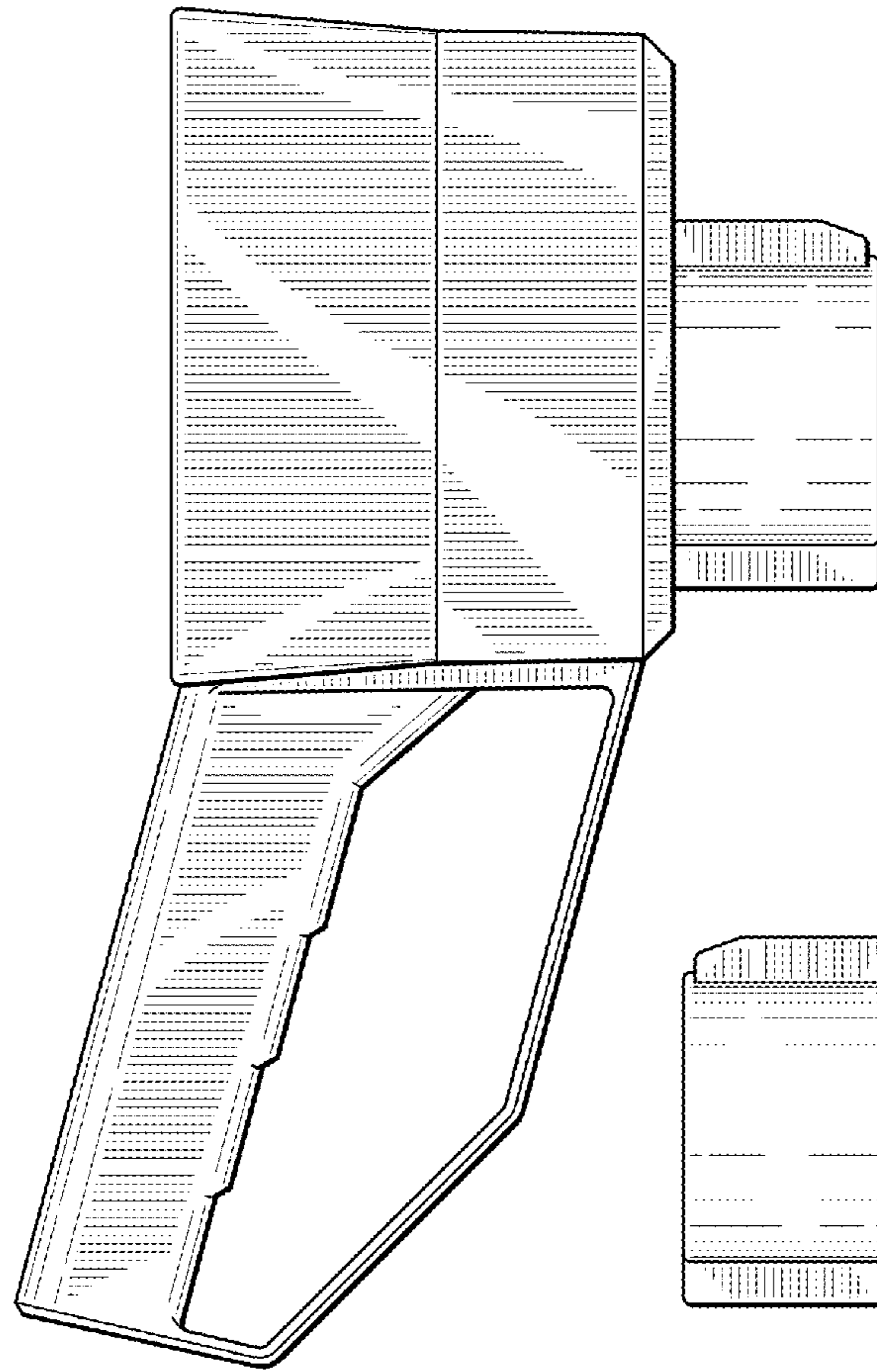


FIG. 5

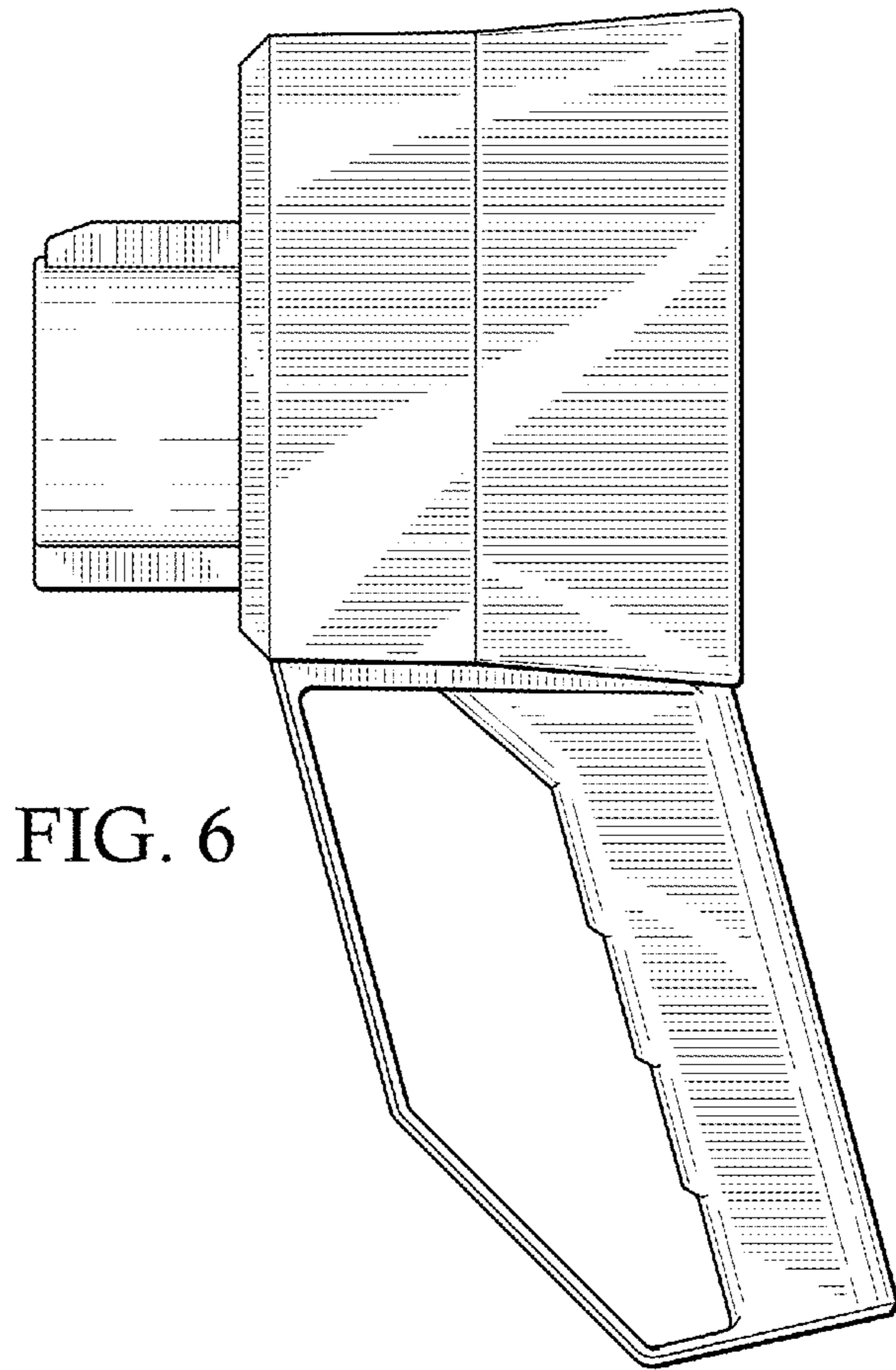


FIG. 6

FIG. 7

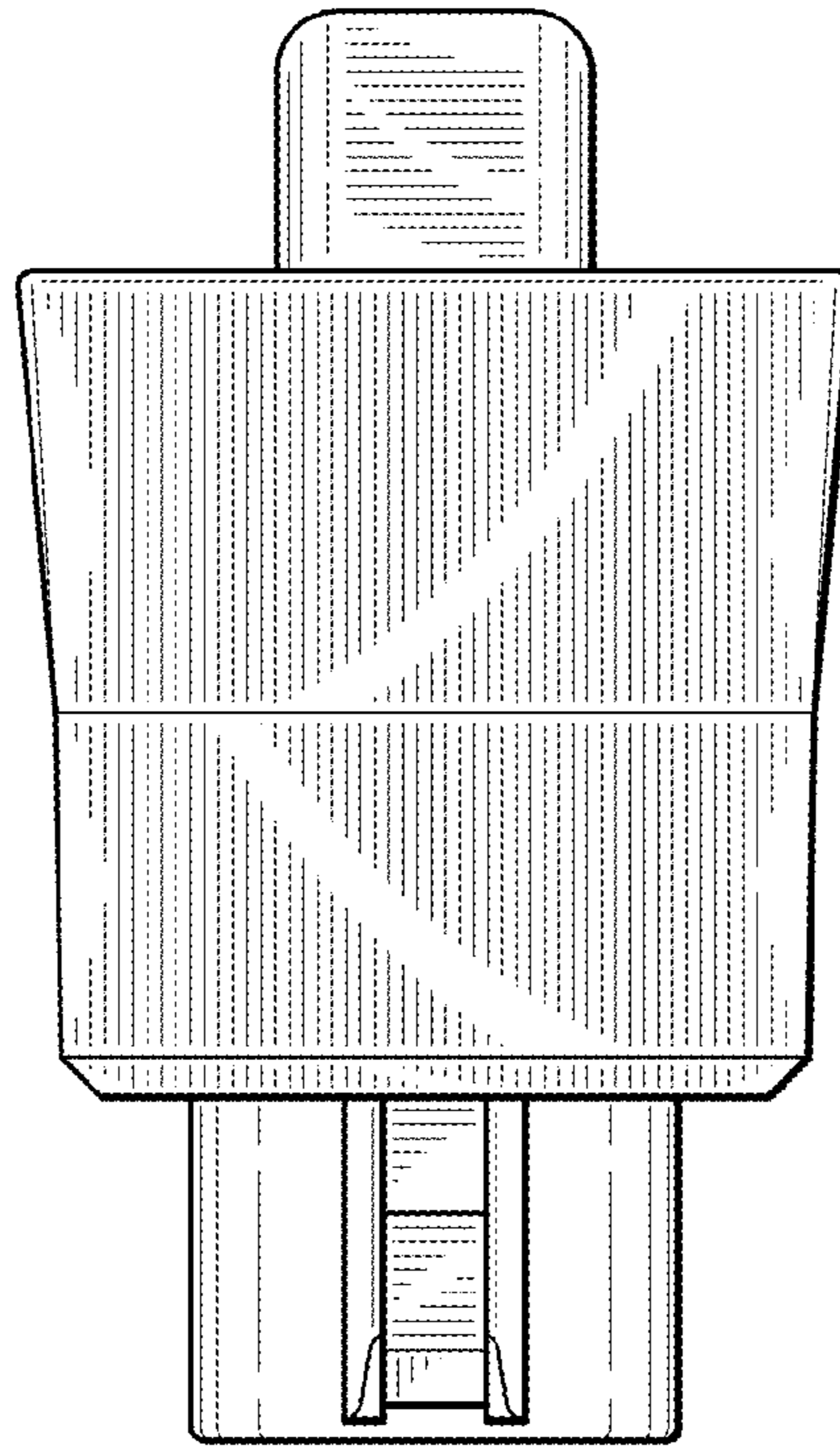


FIG. 8

