



US00D680446S

(12) **United States Design Patent**
Moynihan

(10) **Patent No.:** **US D680,446 S**

(45) **Date of Patent:** **** Apr. 23, 2013**

(54) **FLUID CONTAINER**

(76) Inventor: **David E. Moynihan**, Penfield, NY (US)

(**) Term: **14 Years**

(21) Appl. No.: **29/432,140**

(22) Filed: **Sep. 13, 2012**

(51) **LOC (9) Cl.** **09-05**

(52) **U.S. Cl.**
USPC **D9/709**

(58) **Field of Classification Search** D9/702-714,
D9/429-432, 447, 720; 383/80, 42, 906,
383/903, 901, 93, 122-126, 121.1, 103, 96,
383/200; D7/213, 601-602; 222/92, 81,
222/104-105, 107, 541.5, 529; 215/316;
493/52; D24/207, 118, 129; D3/202
See application file for complete search history.

(56) **References Cited**

U.S. PATENT DOCUMENTS

D213,479 S *	3/1969	Williams	D24/118
D237,018 S *	9/1975	Betka et al.	D24/118
D243,121 S *	1/1977	Ralston et al.	D24/118
D271,805 S *	12/1983	Larkin et al.	D24/118
D272,762 S *	2/1984	Tanner, II	D24/118
5,307,955 A *	5/1994	Viegas	222/107
D478,504 S *	8/2003	Crozet et al.	D9/708
D512,648 S *	12/2005	Smith et al.	D9/702
D582,788 S	12/2008	Smith		

* cited by examiner

Primary Examiner — Caron D Veynar

Assistant Examiner — Abraham Bahta

(74) *Attorney, Agent, or Firm* — Theodore J. Bielen, Jr.

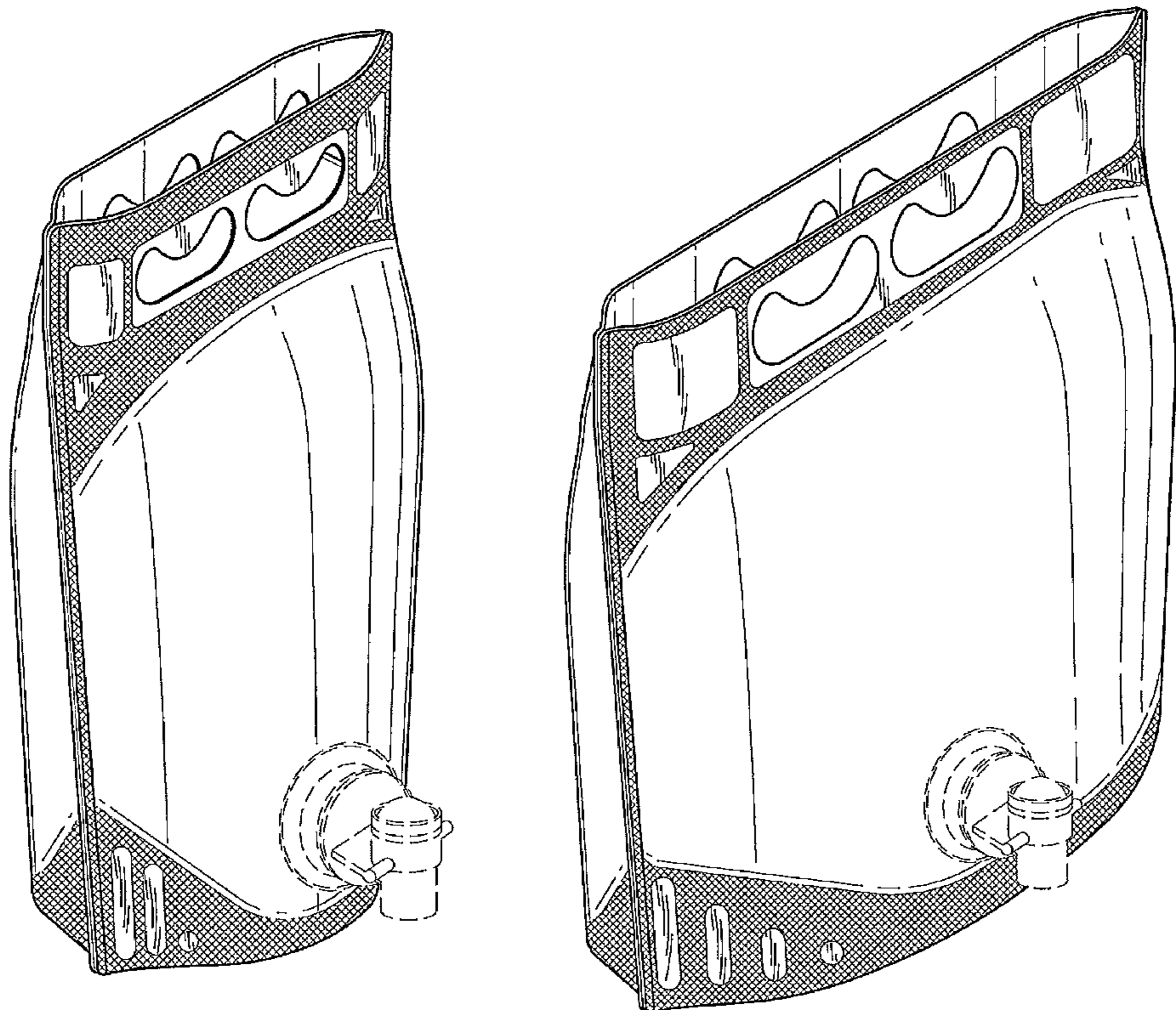
(57) **CLAIM**

The ornamental design for a fluid container, as shown and described.

DESCRIPTION

FIG. 1 is a top, left, perspective view of a first embodiment of a fluid container showing my new design; FIG. 2 is a front elevational view thereof; FIG. 3 is a rear elevational view thereof; FIG. 4 is a top plan view thereof; FIG. 5 is a left side view thereof; the right side view being a mirror image thereof; FIG. 6 is a bottom plan view thereof; FIG. 7 is a top, left, perspective view of a second embodiment of a fluid container showing my new design. FIG. 8 is a front elevational view thereof; FIG. 9 is a rear elevational view thereof; FIG. 10 is a top plan view thereof; FIG. 11 is a left side view thereof; the right side view being a mirror image thereof; and, FIG. 12 is a bottom plan view thereof. The broken lines shown in the drawing form no part of the claimed design.

1 Claim, 12 Drawing Sheets



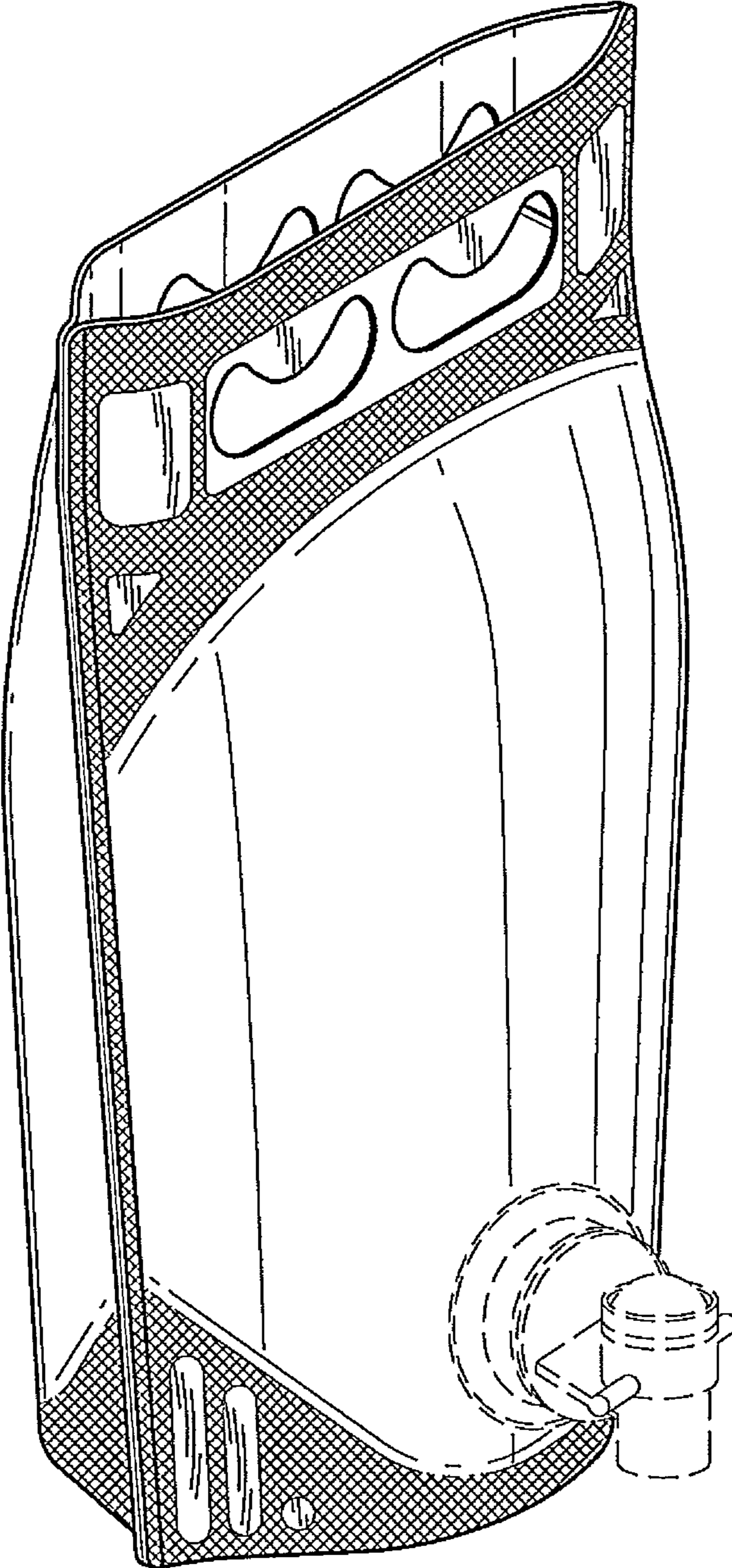


FIG. 1

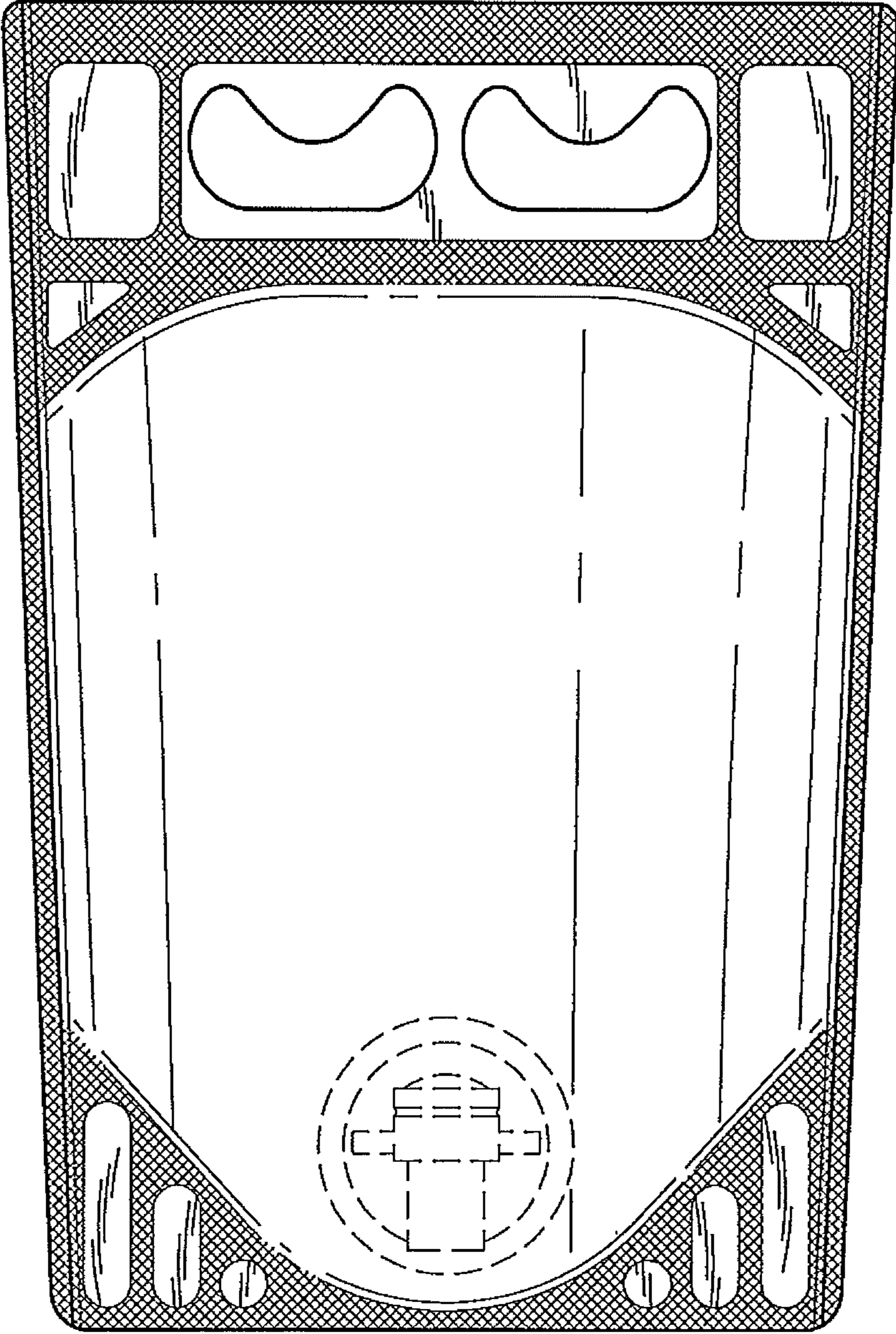


FIG. 2

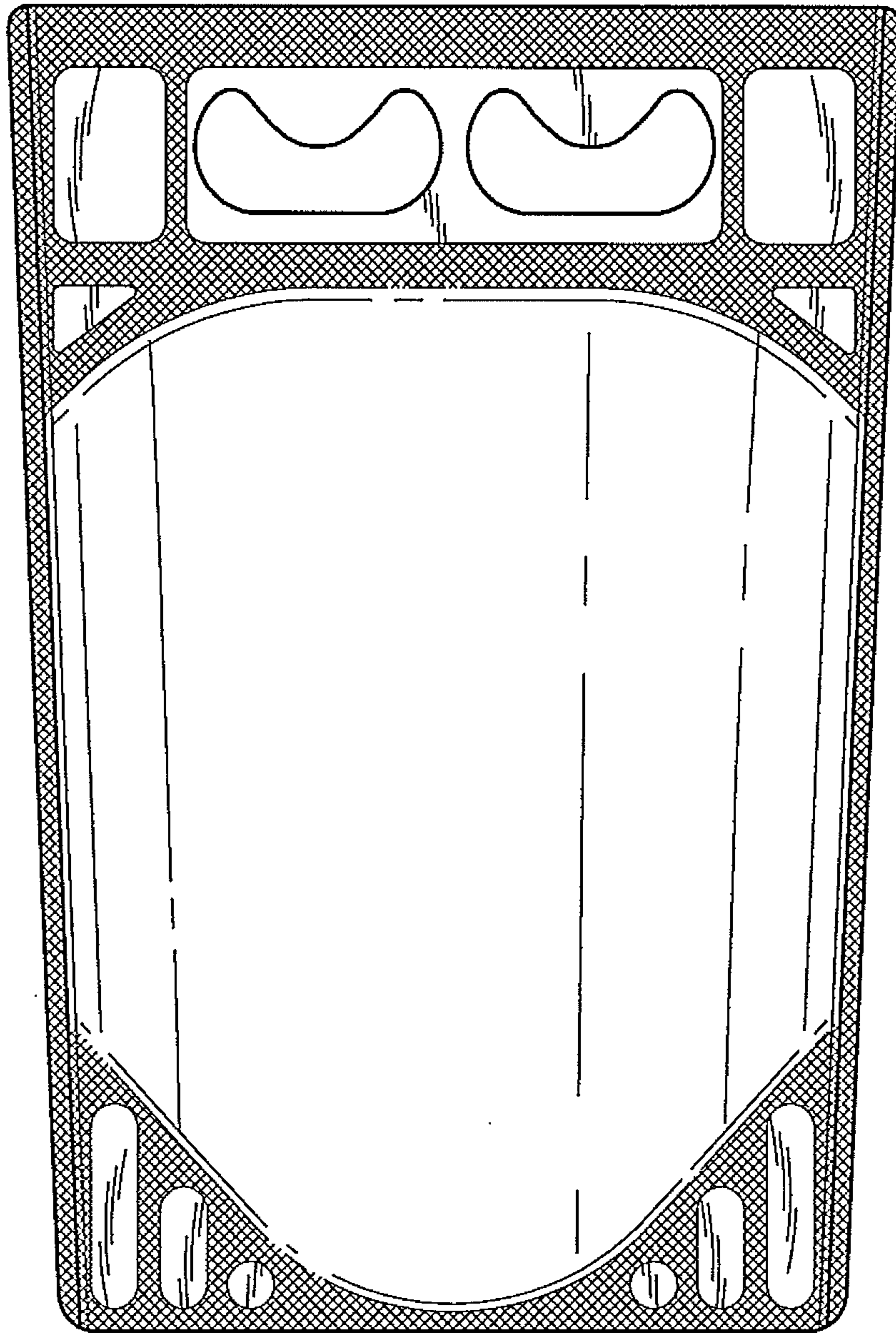


FIG. 3

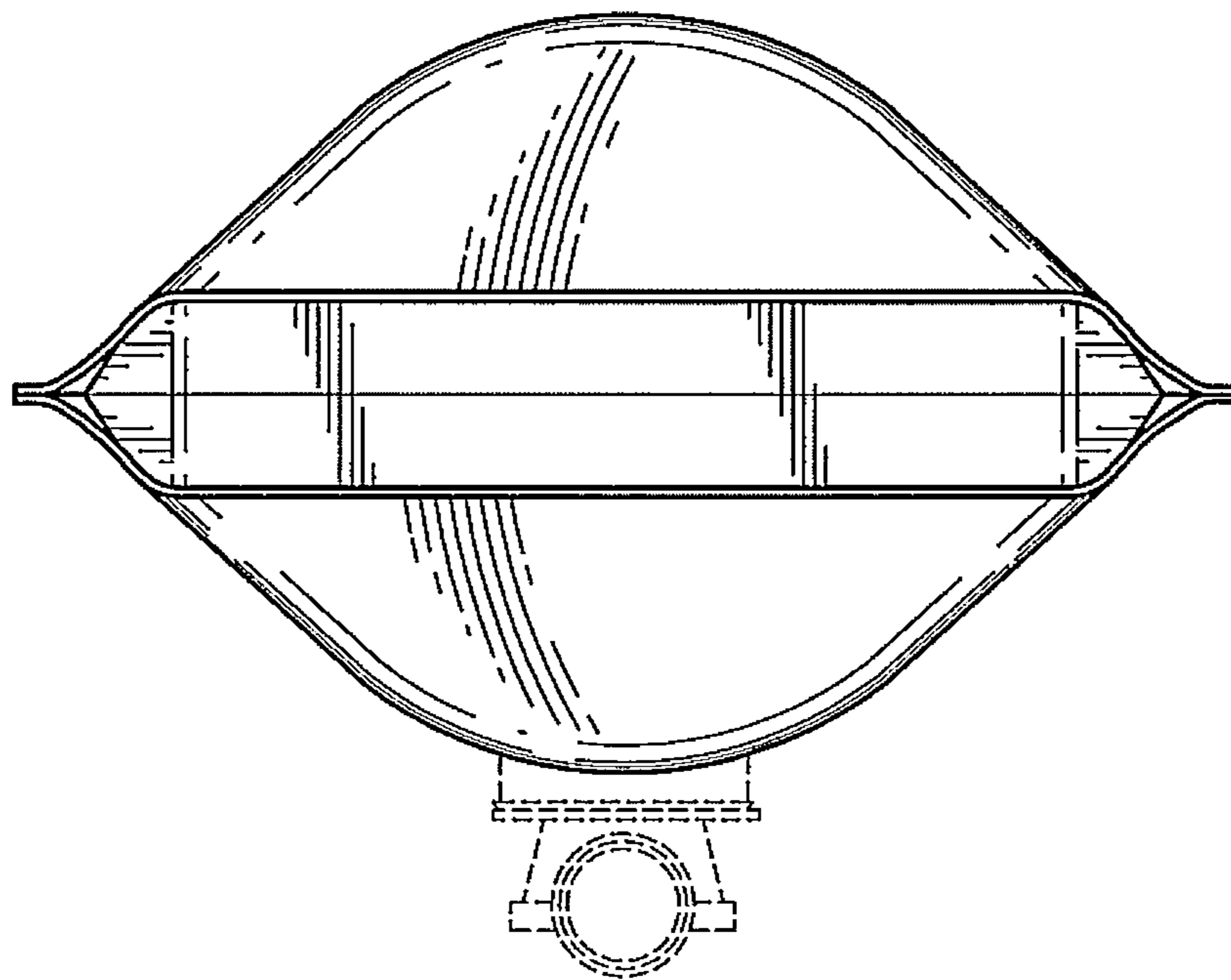


FIG. 4

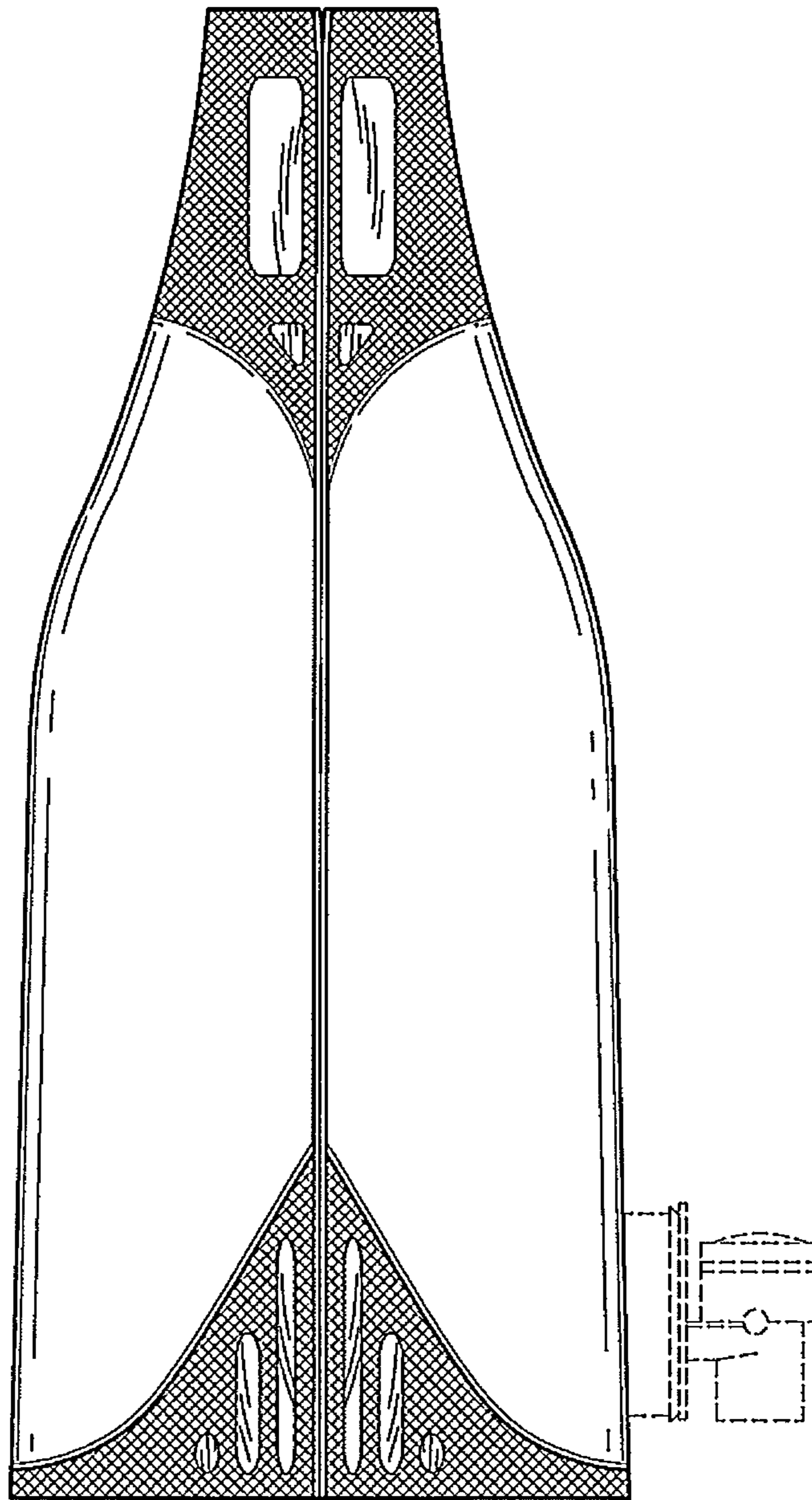


FIG. 5

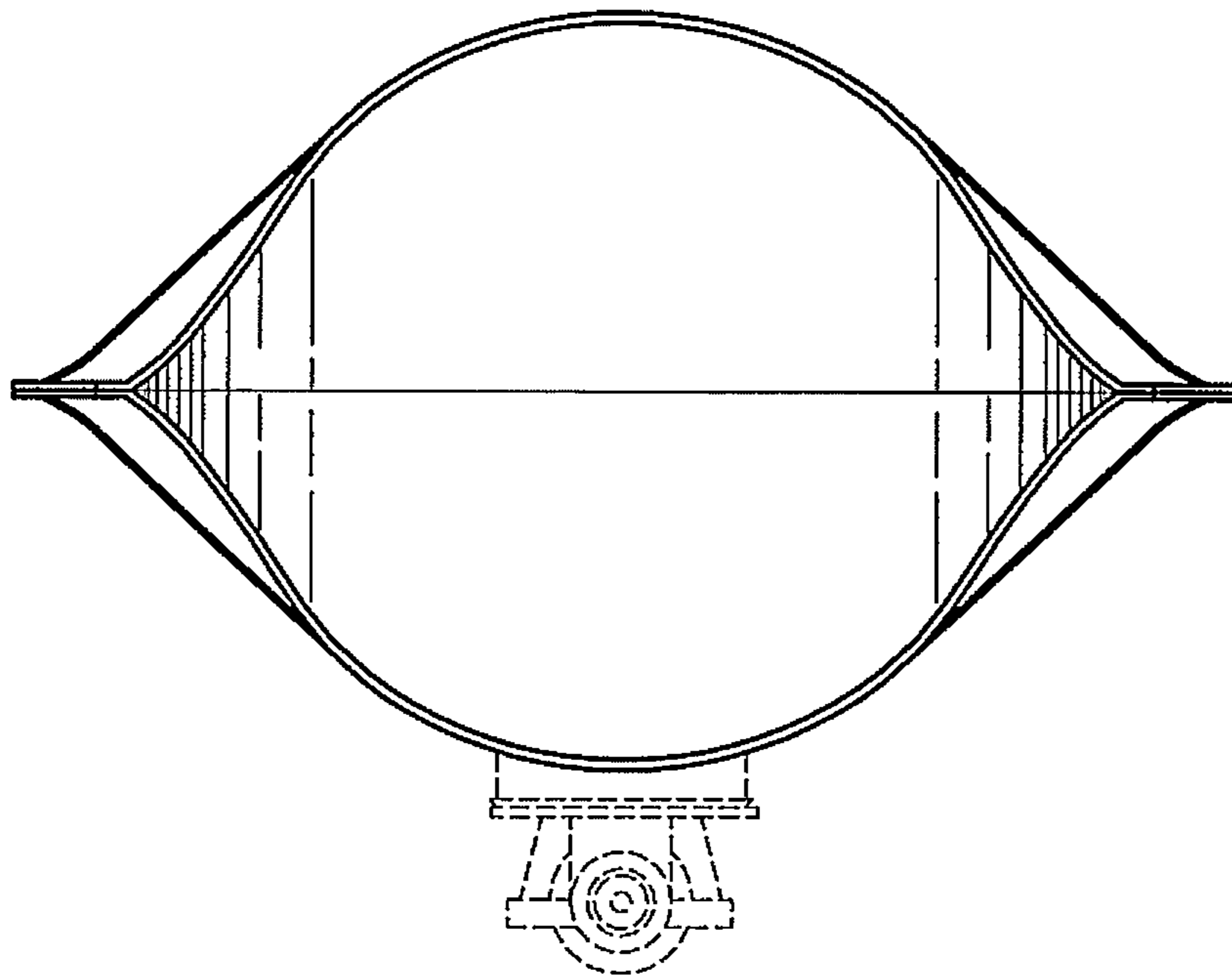


FIG. 6

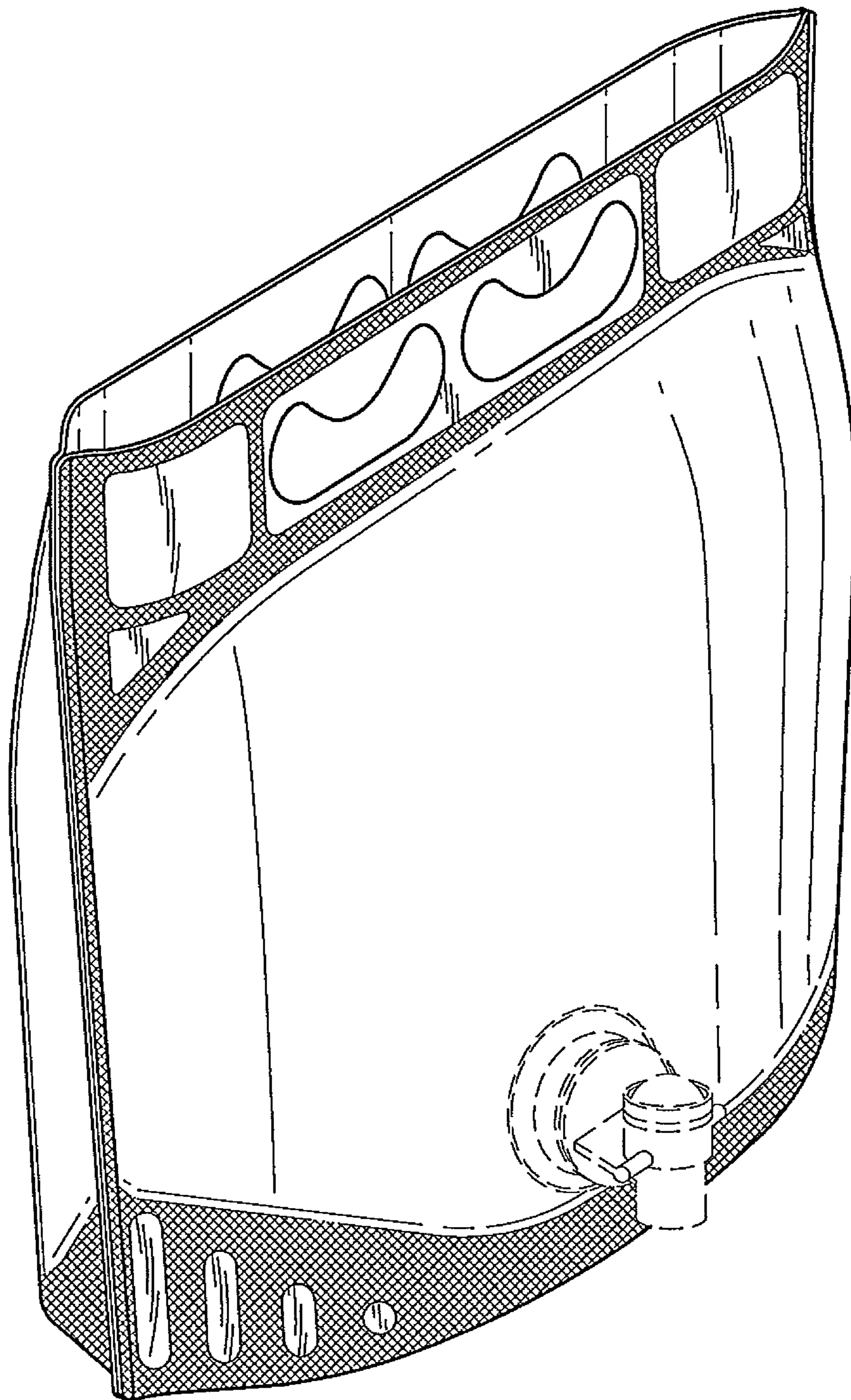


FIG. 7

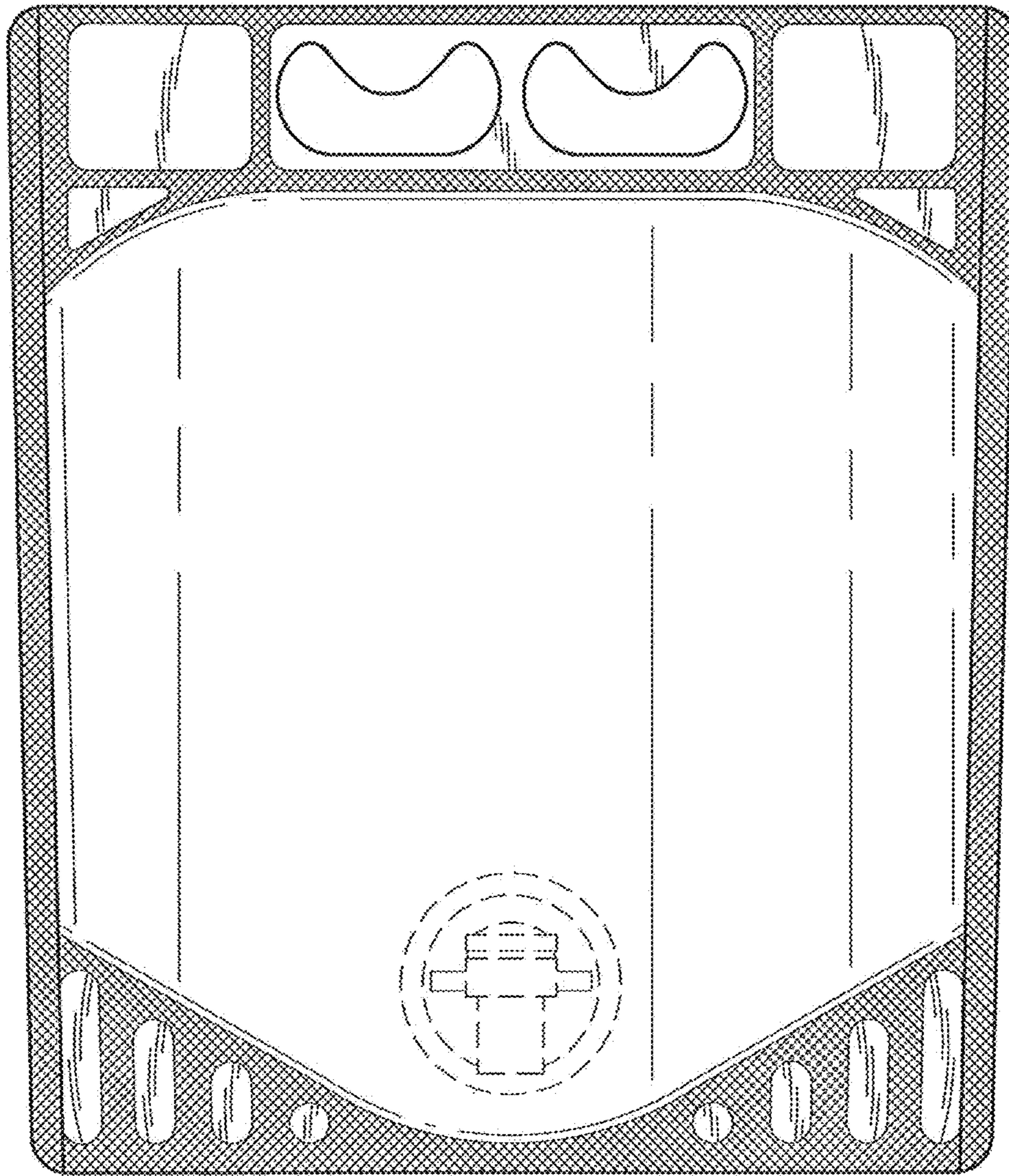


FIG. 8

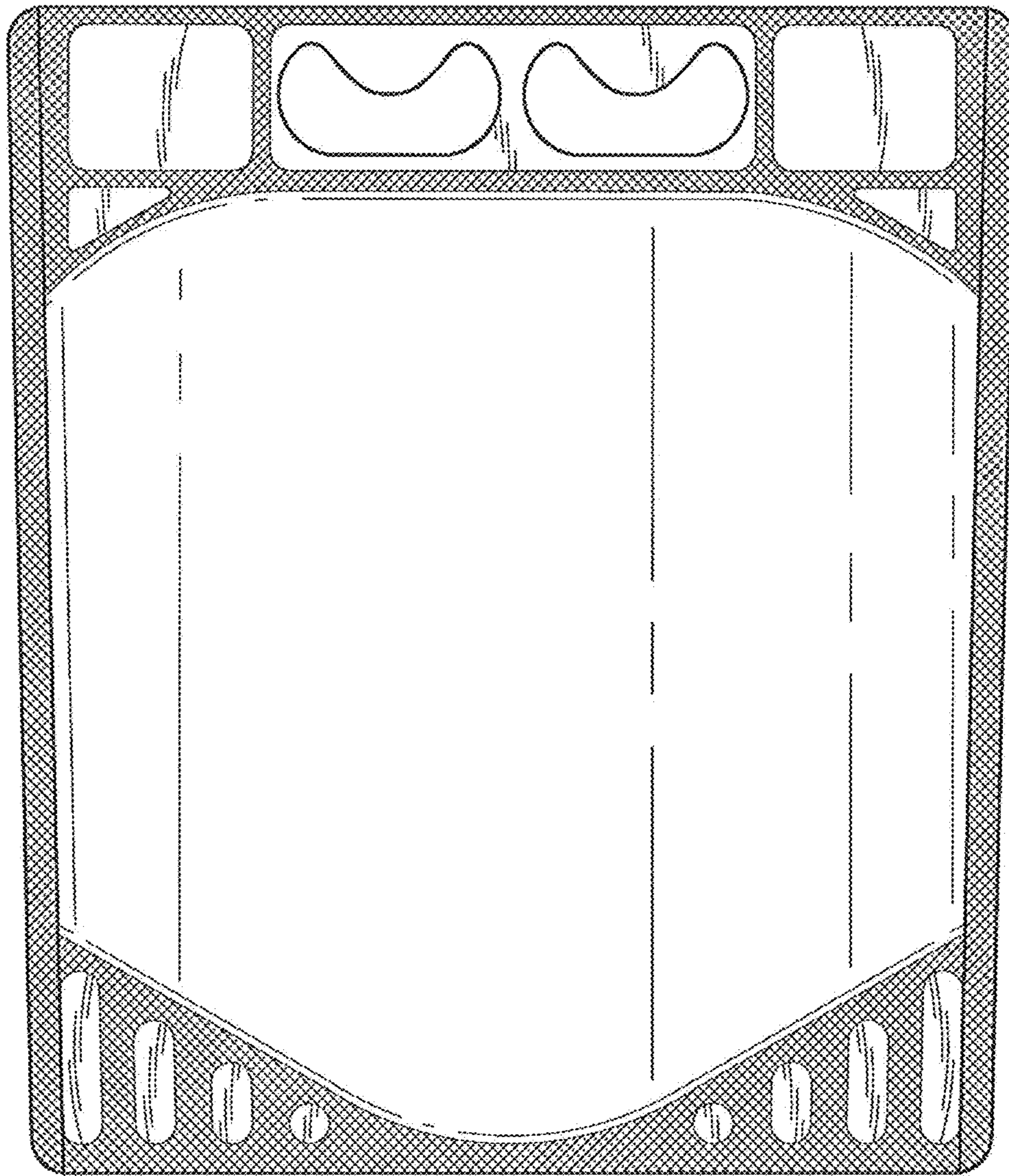


FIG. 9

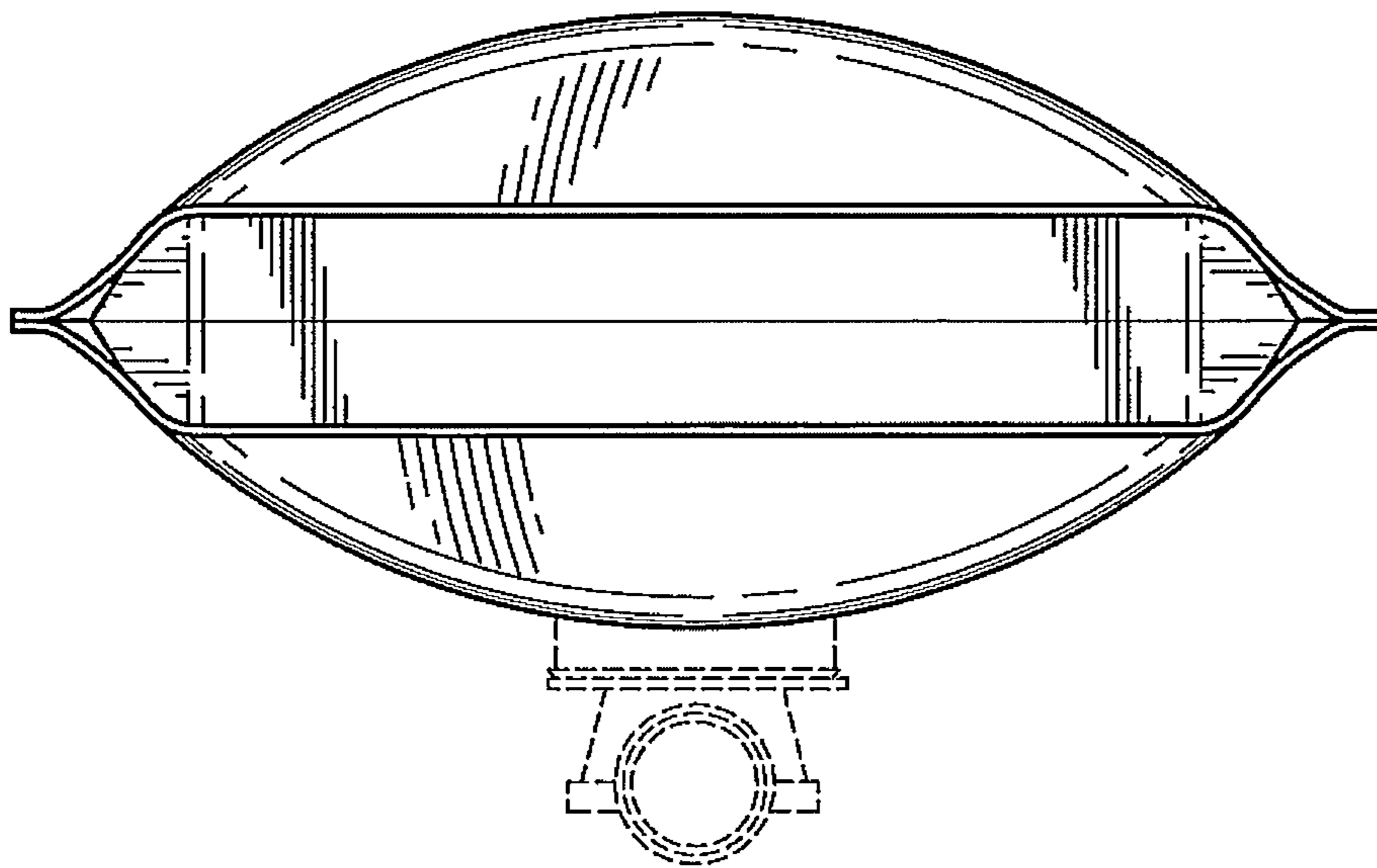


FIG. 10

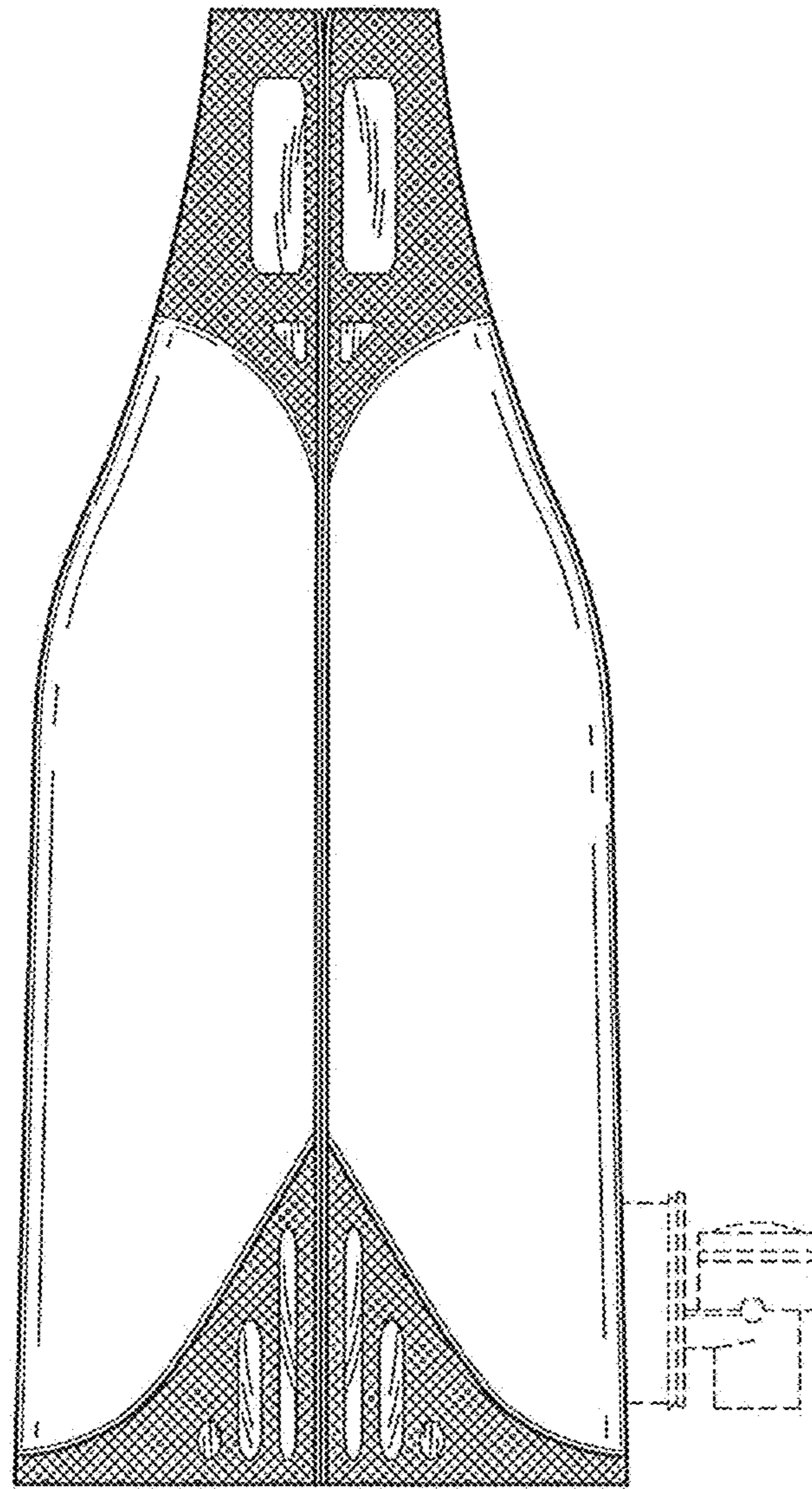


FIG. 11

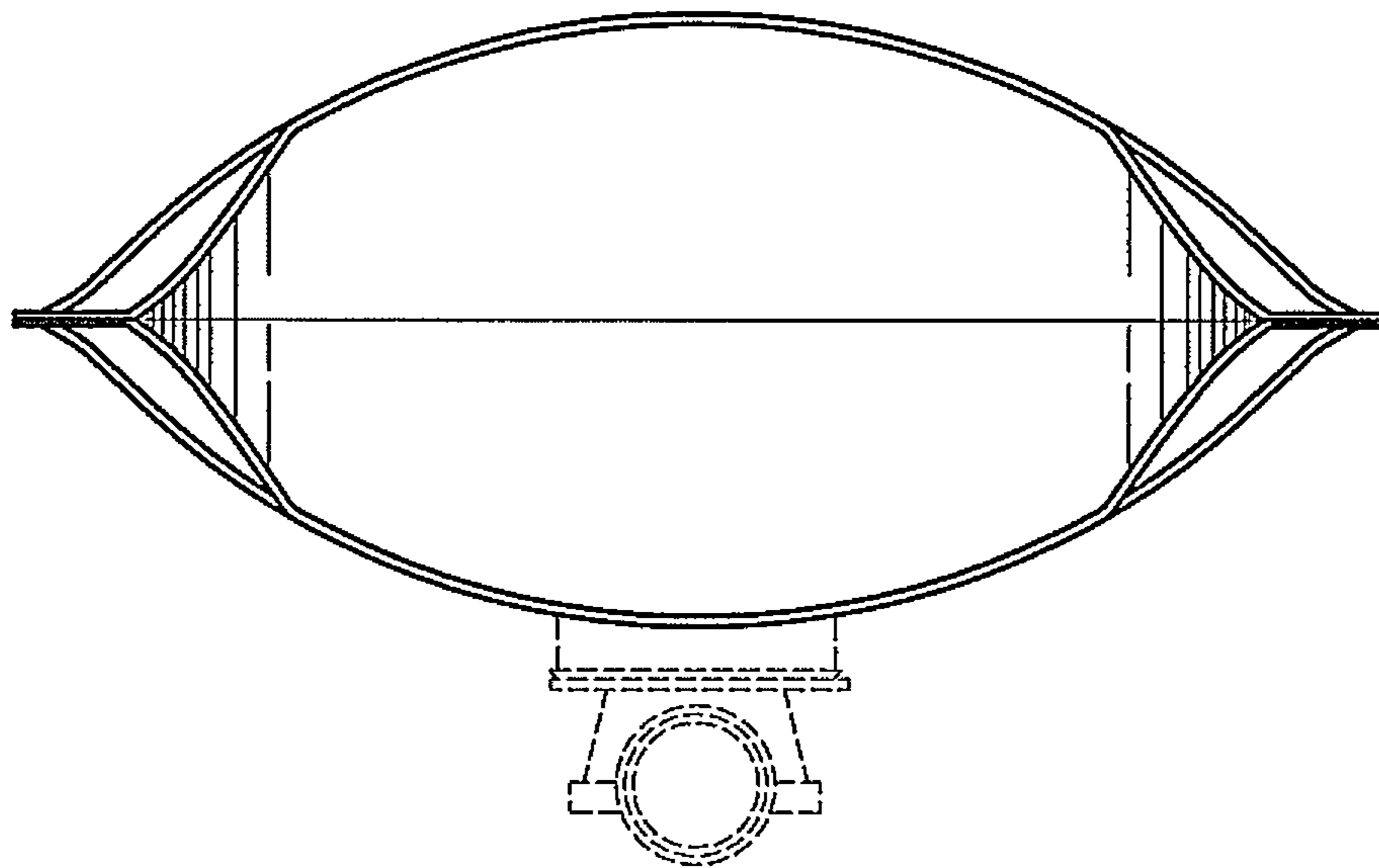


FIG. 12