



US00D680445S

(12) **United States Design Patent**
Kopulos et al.

(10) **Patent No.:** **US D680,445 S**
(45) **Date of Patent:** **** Apr. 23, 2013**

(54) **DETERGENT POUCH**

(75) Inventors: **Christopher Robert Kopulos**,
Cincinnati, OH (US); **Brian David**
Andres, Harrison, OH (US)

(73) Assignee: **The Procter & Gamble Company**,
Cincinnati, OH (US)

(**) Term: **14 Years**

(21) Appl. No.: **29/413,424**

(22) Filed: **Feb. 15, 2012**

(51) **LOC (9) Cl.** **09-05**

(52) **U.S. Cl.**
USPC **D9/702**; D9/434

(58) **Field of Classification Search** D9/302,
D9/305, 306, 434; D24/115, 118, 183, 207;
383/5, 41, 42, 43, 44, 53, 54, 66, 67, 95;
169/44; D7/669; 229/104
See application file for complete search history.

(56) **References Cited**

U.S. PATENT DOCUMENTS

5,137,260	A	8/1992	Pehr	
5,353,946	A	10/1994	Behrend	
D444,595	S	7/2001	Ide et al.	
D479,127	S	9/2003	Jowett	
D485,643	S	1/2004	McLeish	
D485,942	S	1/2004	McLeish	
D486,733	S	2/2004	Murning et al.	
D490,184	S	5/2004	McLeish	
D490,567	S	5/2004	McLeish	
D501,399	S	2/2005	Tobolka D9/434
D538,471	S	3/2007	Taniguchi et al.	
D559,439	S	1/2008	Schwartz et al.	
D559,440	S	1/2008	Schwartz et al.	
D560,492	S	1/2008	Markowicz et al.	
D564,899	S	3/2008	Hardy	

(Continued)

FOREIGN PATENT DOCUMENTS

EM 000358916-001 6/2005
EP 0 125 501 A1 11/1984

(Continued)

OTHER PUBLICATIONS

U.S. Appl. No. 29/387,945, filed Mar. 22, 2011, Davis et al.

(Continued)

Primary Examiner — Susan Bennett Hattan

(74) *Attorney, Agent, or Firm* — Melissa G. Krasovec;
Steven W. Miller

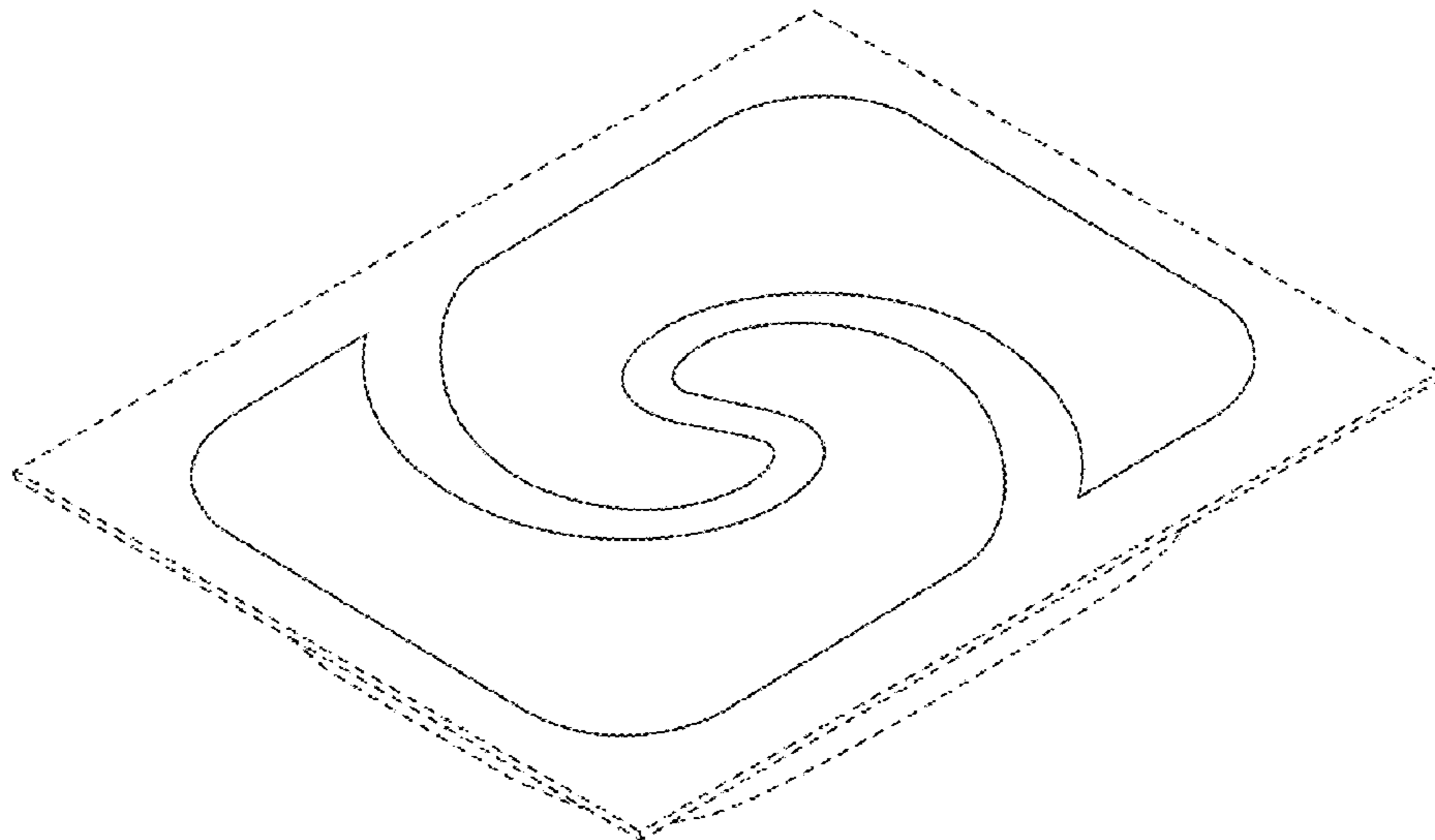
(57) **CLAIM**

The ornamental design for a detergent pouch, as shown and described.

DESCRIPTION

FIG. 1 is a top, front, right side perspective view of a detergent pouch embodying our new design;
FIG. 2 is a top view thereof;
FIG. 3 is a bottom view thereof;
FIG. 4 is a right side view thereof;
FIG. 5 is a left side view thereof;
FIG. 6 is a front side view thereof;
FIG. 7 is a back side view thereof;
FIG. 8 is a top, front, right side perspective view of a further detergent pouch embodying our new design;
FIG. 9 is a top view thereof;
FIG. 10 is a bottom view thereof;
FIG. 11 is a right side view thereof;
FIG. 12 is a left side view thereof;
FIG. 13 is a front side view thereof; and,
FIG. 14 is a back side view thereof.
Any broken lines shown in the drawings depict environmental subject matter only and form no part of the claimed design.

1 Claim, 6 Drawing Sheets



US D680,445 S

Page 2

U.S. PATENT DOCUMENTS

D565,243 S	3/2008	Denome et al.	
D565,244 S	3/2008	Schwartz et al.	
D567,998 S	4/2008	Wiedemann	
D576,353 S	9/2008	McCarthy	
D596,954 S	7/2009	Jimenez et al.	
D599,056 S	8/2009	Schwartz et al.	
D599,057 S	8/2009	Bechholt et al.	
D608,049 S	1/2010	Schwartz et al.	
D618,393 S	6/2010	Bechholt et al.	
D621,718 S	8/2010	Mehdizadeh	
D622,157 S	8/2010	Mehdizadeh	
D622,399 S *	8/2010	Veon	D24/183
D632,842 S	2/2011	Taniguchi et al.	
D639,183 S	6/2011	Nixon	
D639,184 S	6/2011	Nixon	
D640,934 S	7/2011	Nixon	
D643,574 S	8/2011	Heidel et al.	
D646,433 S	10/2011	Heidel et al.	
D647,249 S	10/2011	Heidel et al.	
D647,250 S	10/2011	Heidel et al.	
D648,065 S	11/2011	Heidel et al.	
D648,066 S	11/2011	Heidel et al.	
D648,067 S	11/2011	Heidel et al.	
D648,068 S	11/2011	Heidel et al.	
D648,069 S	11/2011	Heidel et al.	
D648,070 S	11/2011	Heidel et al.	

D651,340 S	12/2011	Heidel et al.
2007/0111918 A1	5/2007	Caswell et al.
2007/0114142 A1	5/2007	Sine et al.
2008/0000872 A1	1/2008	Amemiya
2008/0156858 A1	7/2008	Perry et al.
2009/0196892 A1	8/2009	Ayats et al.
2010/0045111 A1	2/2010	Abramovich et al.
2010/0113318 A1	5/2010	Wiedemann et al.
2011/0127271 A1	6/2011	Jawarski et al.

FOREIGN PATENT DOCUMENTS

EP	0 957 133 A1	11/1999
EP	2258820 A1	12/2010
GB	2106954	4/1983
WO	WO 2005/118421 A1	12/2005

OTHER PUBLICATIONS

U.S. Appl. No. 29/407,963, filed Feb. 13, 2012, Davis, et al.
U.S. Appl. No. 29/407,964, filed Feb. 13, 2012, Davis, et al.
U.S. Appl. No. 29/407,965, filed Feb. 13, 2012, Davis, et al.
U.S. Appl. No. 29/407,966, filed Feb. 13, 2012, Davis, et al.
U.S. Appl. No. 29/407,967, filed Feb. 13, 2012, Davis, et al.
U.S. Appl. No. 29/407,968, filed Feb. 13, 2012, Davis, et al.
U.S. Appl. No. 29/407,970, filed Feb. 13, 2012, Davis, et al.

* cited by examiner

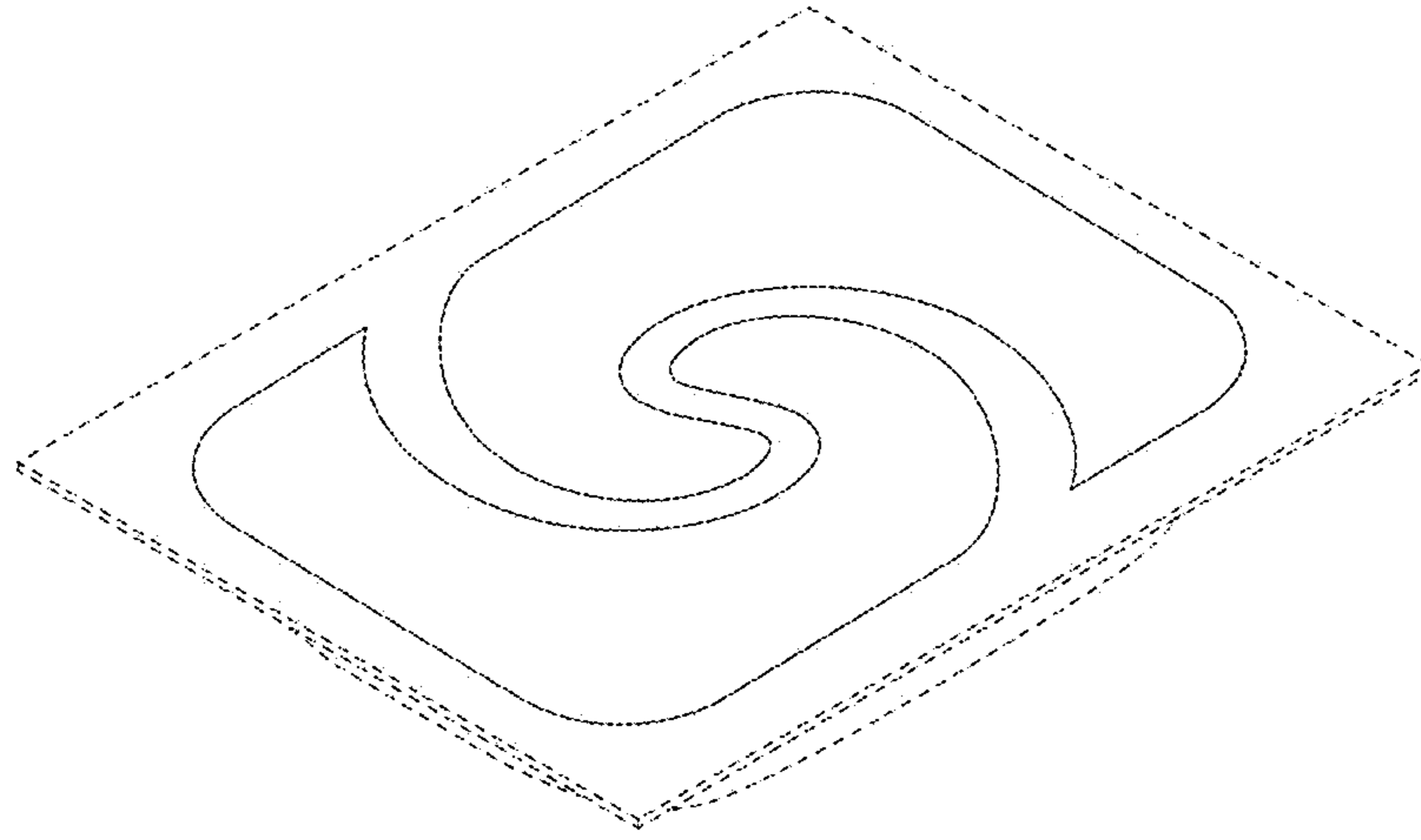


Fig. 1

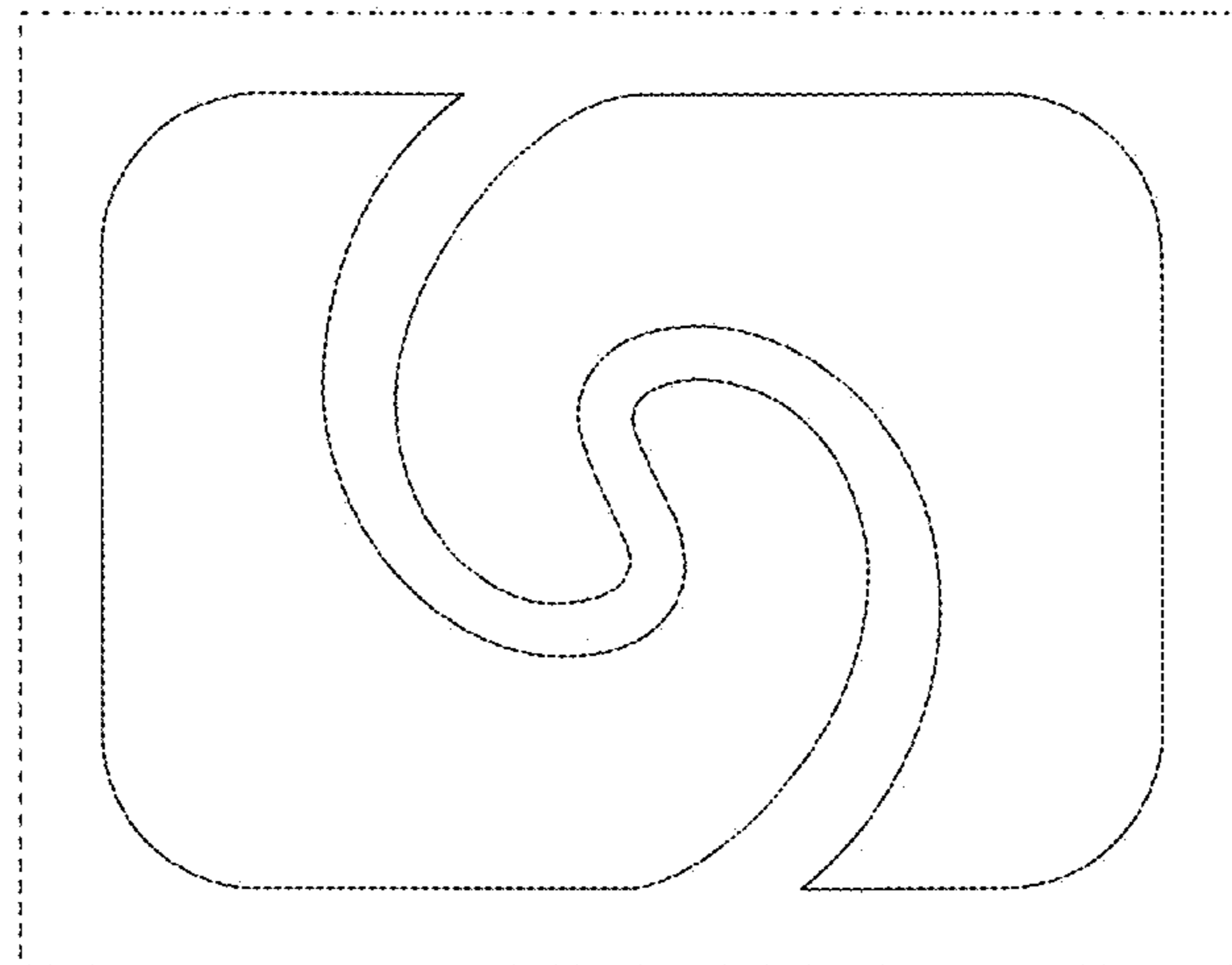


Fig. 2

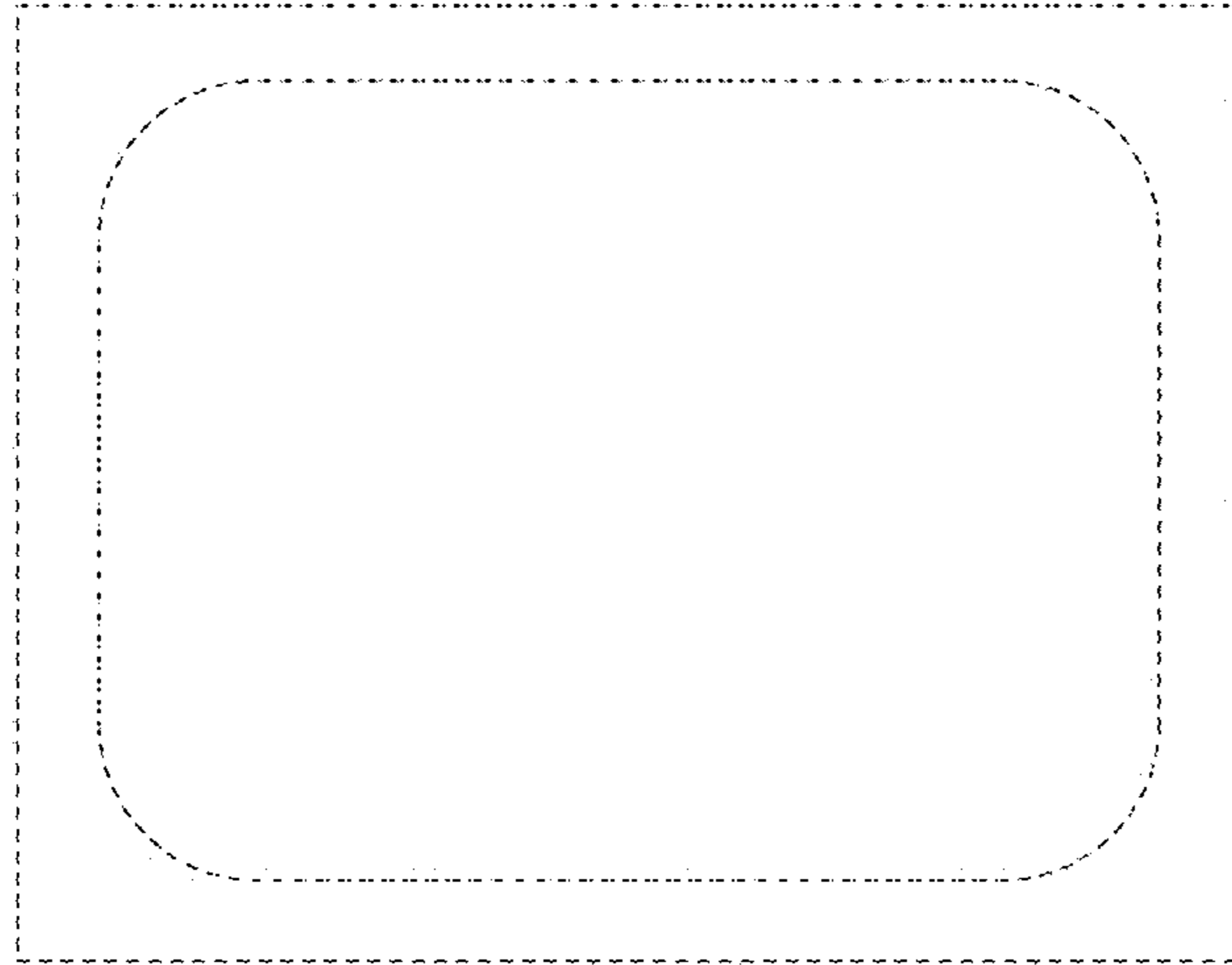


Fig. 3



Fig. 4

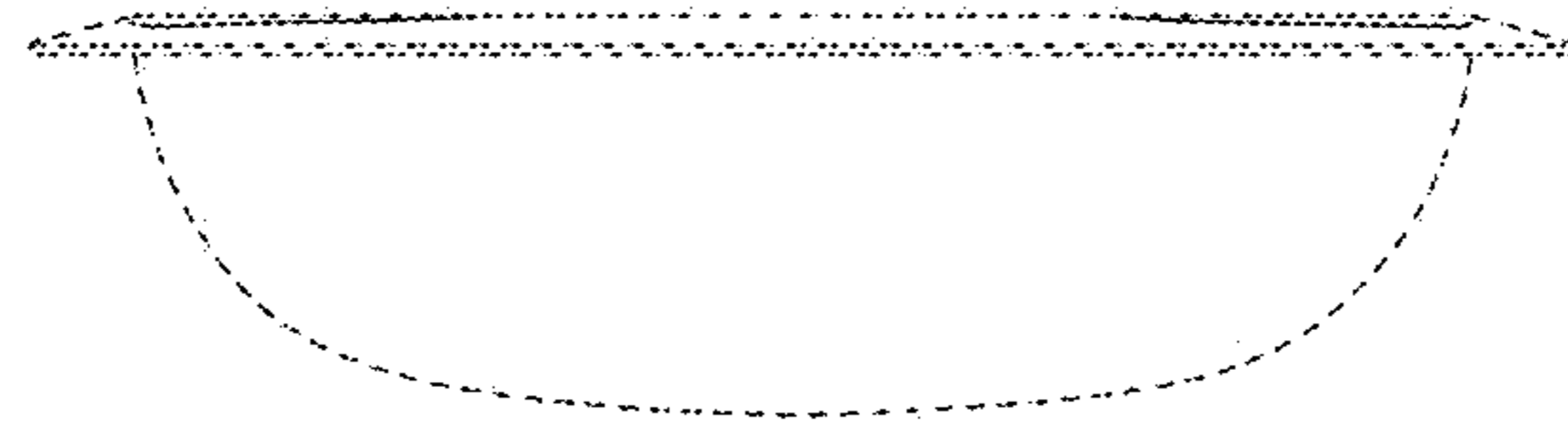


Fig. 5

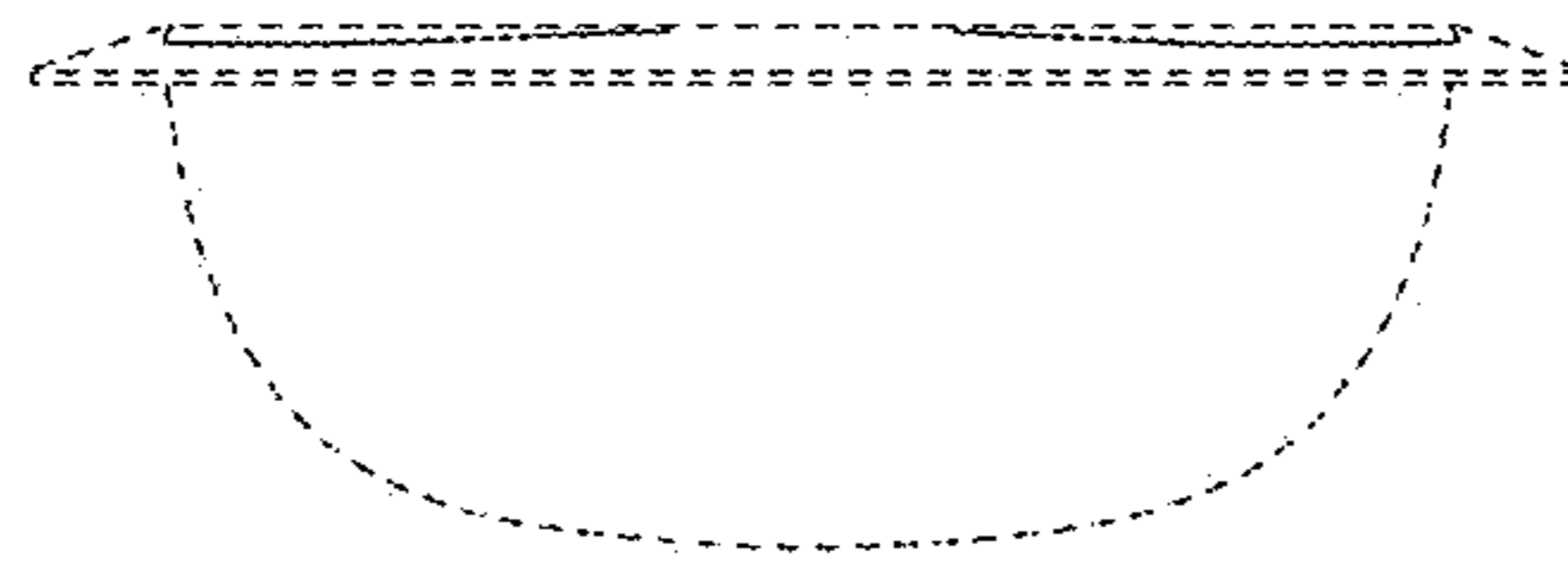


Fig. 6

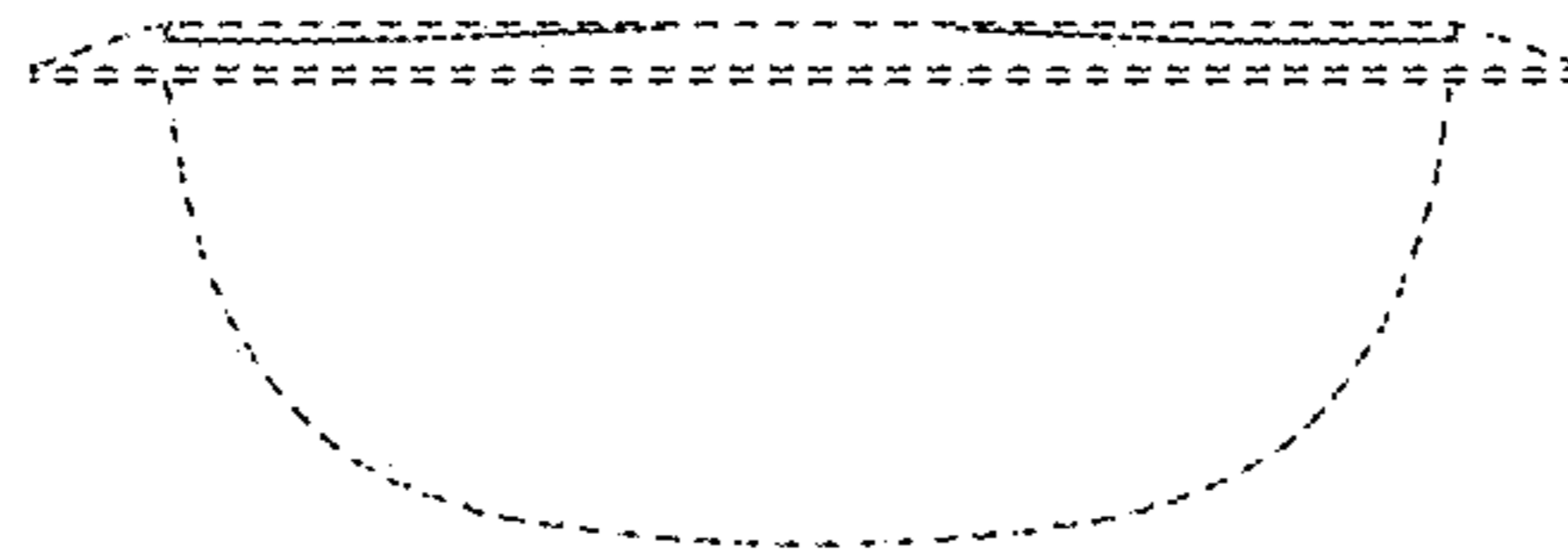


Fig. 7

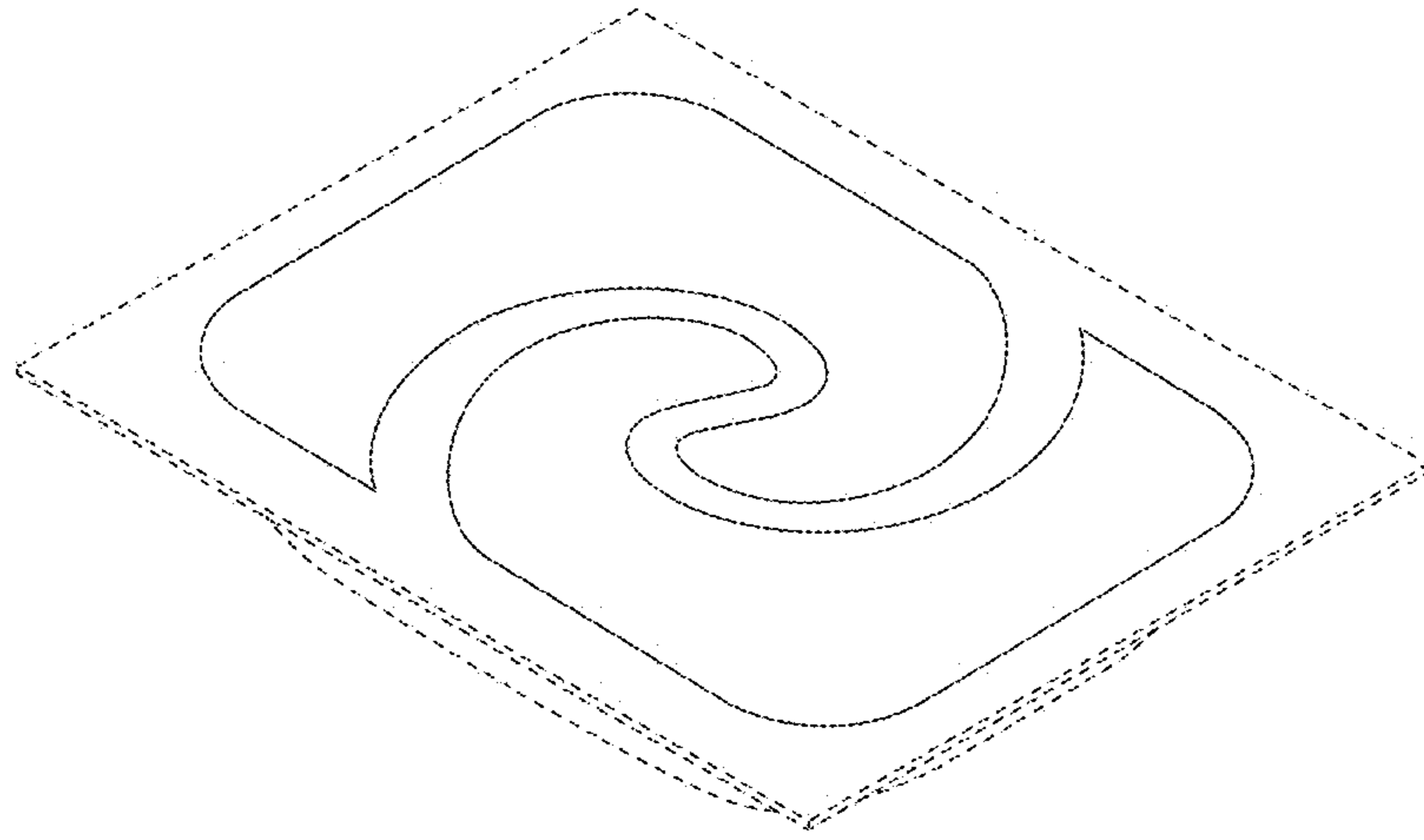


Fig. 8

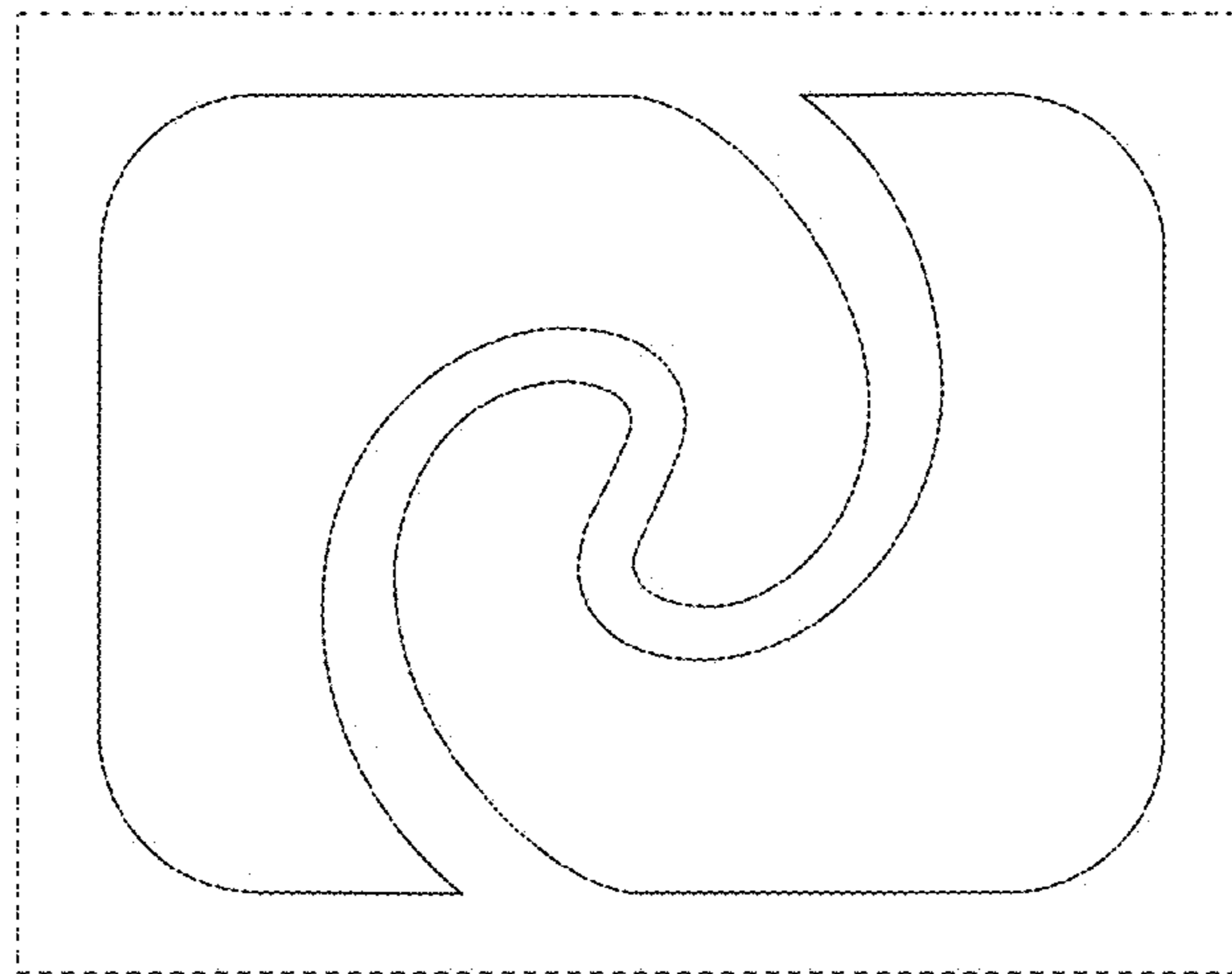


Fig. 9

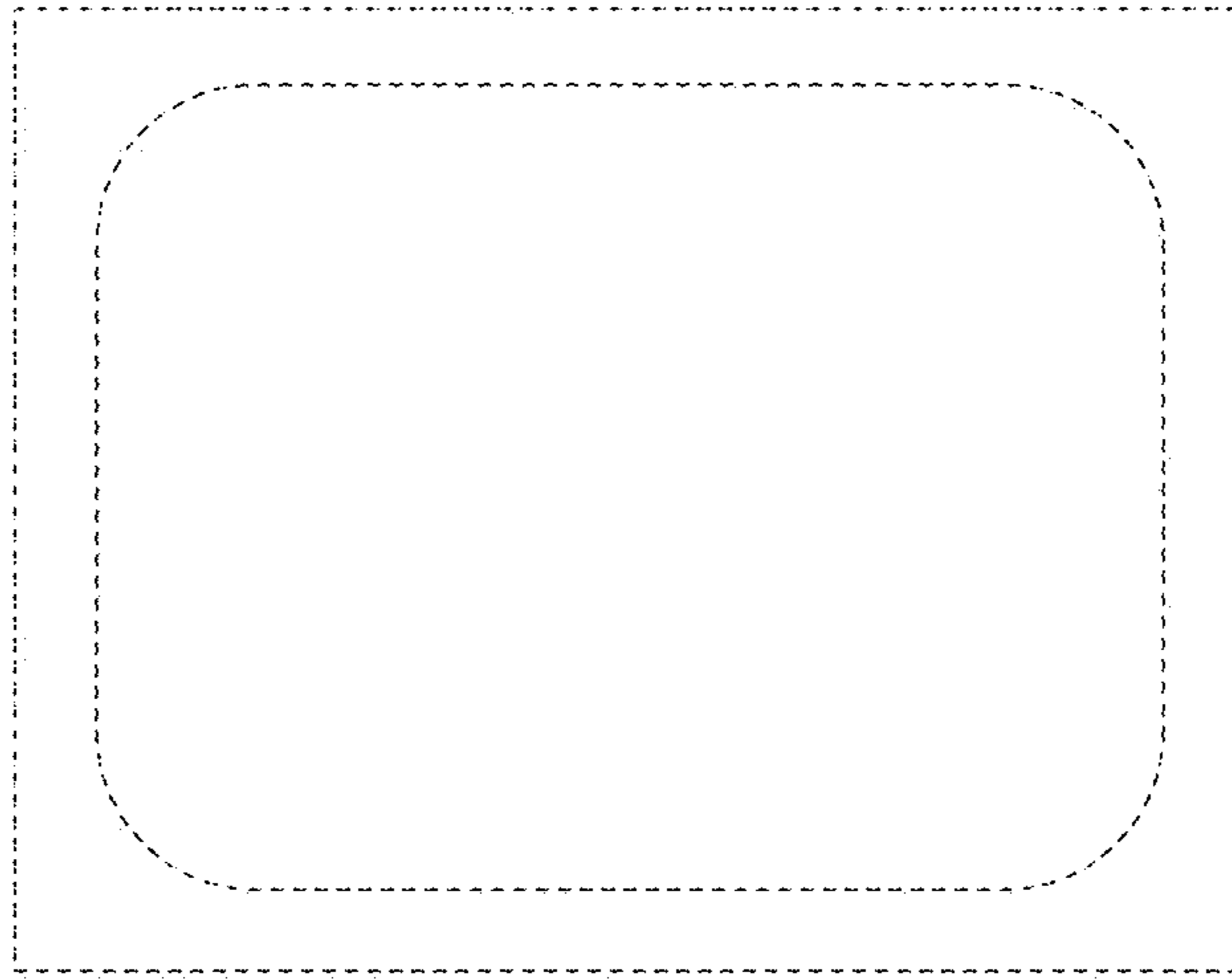


Fig. 10

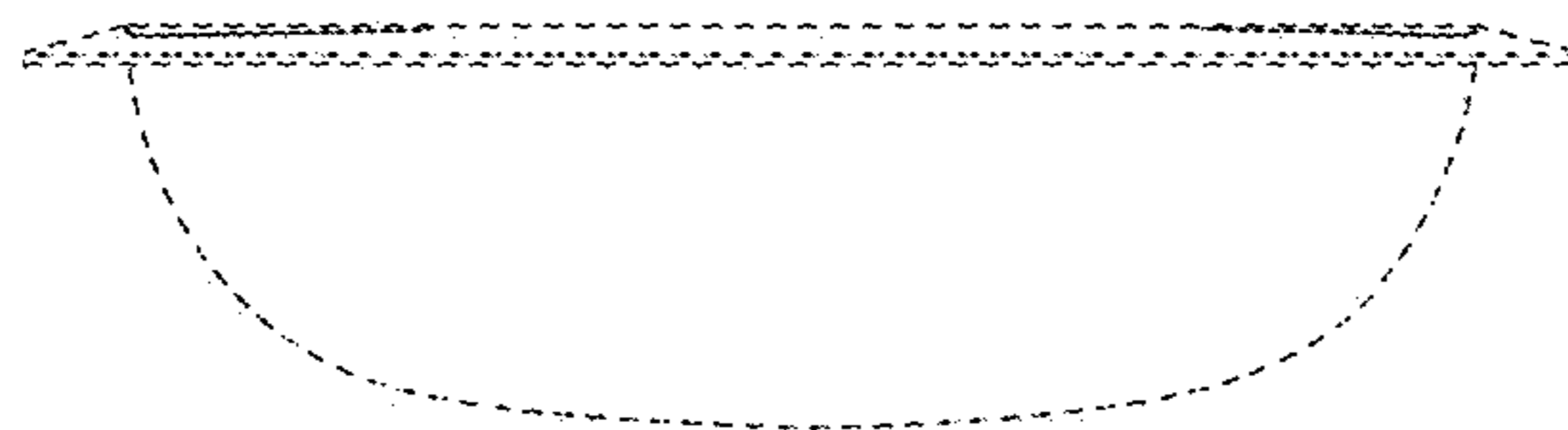


Fig. 11

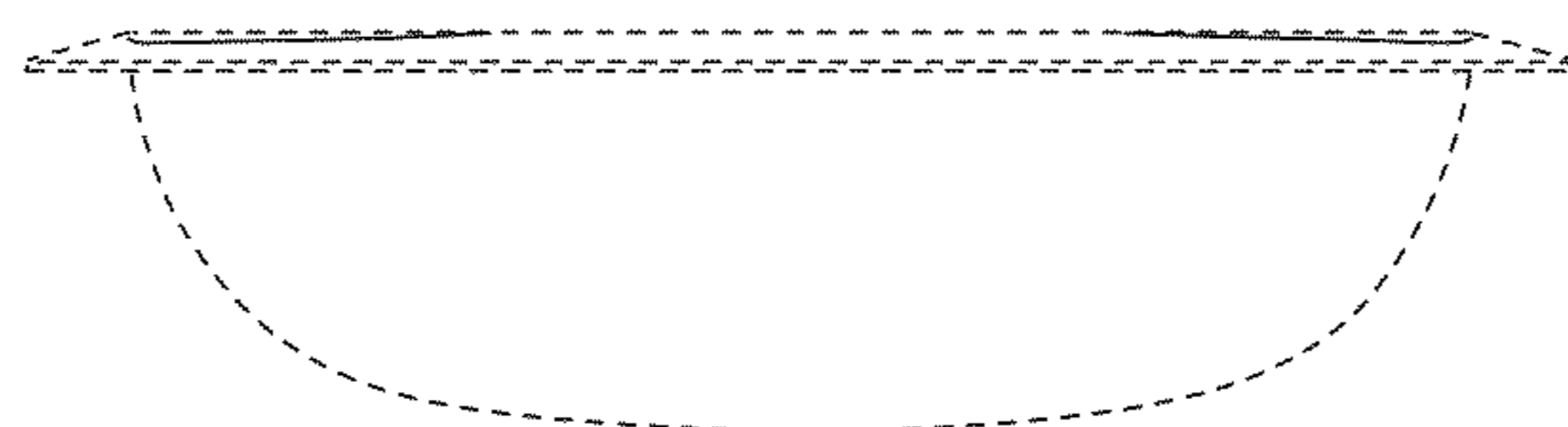


Fig. 12

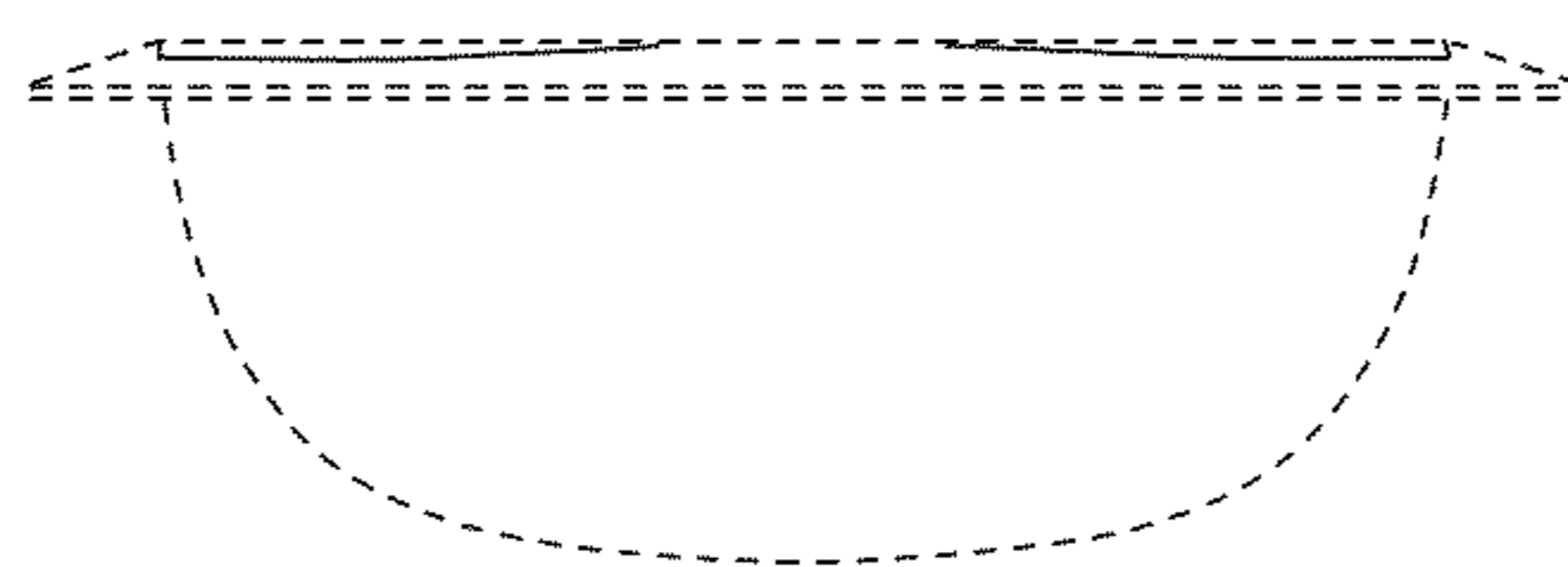


Fig. 13

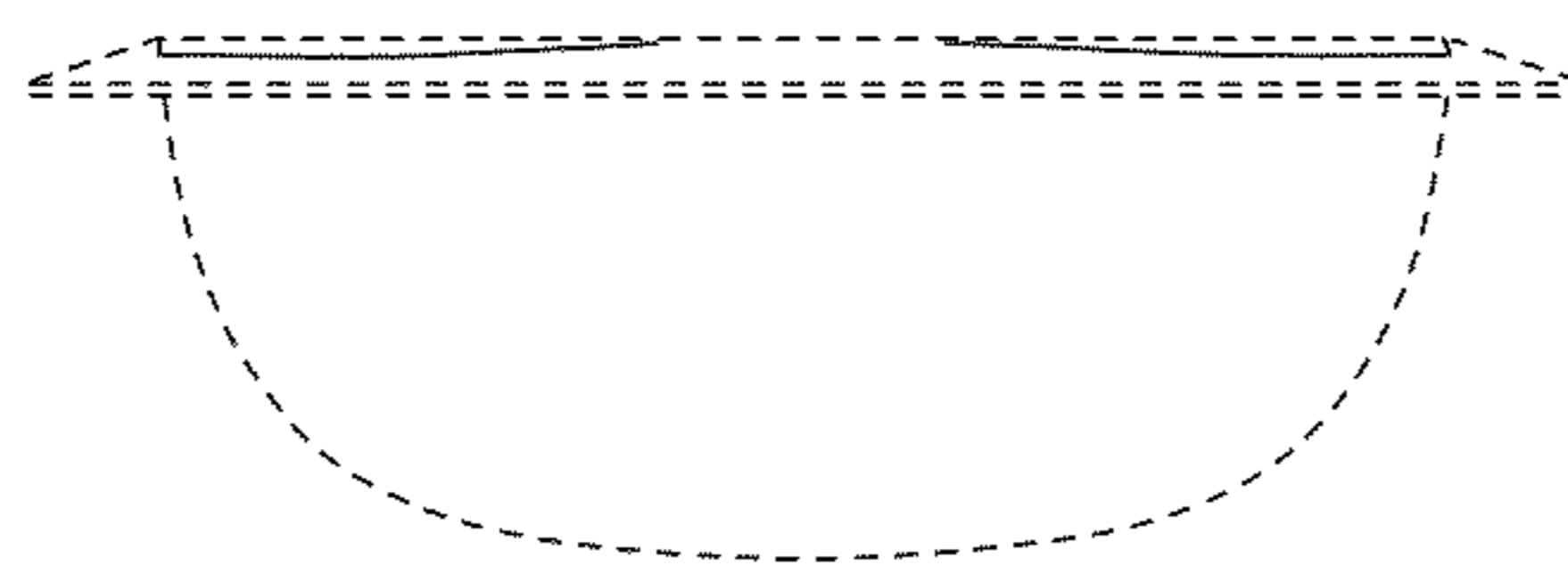


Fig. 14