



US00D680434S

(12) **United States Design Patent**  
**Fracasso**

(10) **Patent No.:** **US D680,434 S**

(45) **Date of Patent:** **\*\* Apr. 23, 2013**

(54) **CONTAINER CAP**

(75) Inventor: **Giuseppe Fracasso**, Caldogno (IT)

(73) Assignee: **Giflor S.R.L.**, Grumolo Delle Abbadesse (VI) (IT)

(\*\*) Term: **14 Years**

(21) Appl. No.: **29/417,554**

(22) Filed: **Apr. 5, 2012**

(30) **Foreign Application Priority Data**

Oct. 6, 2011 (EM) ..... 001928193-0003  
Oct. 6, 2011 (EM) ..... 001928193-0004  
Oct. 6, 2011 (EM) ..... 001928193-0006  
Oct. 6, 2011 (EM) ..... 001928193-0007

(51) **LOC (9) Cl.** ..... **09-07**

(52) **U.S. Cl.**  
USPC ..... **D9/449; D9/447**

(58) **Field of Classification Search** ..... D9/454,  
D9/453, 449, 447, 446, 443, 440, 439, 417;  
D7/396.2, 392.1; 222/556, 484; 220/837,  
220/715, 259.2, 254.2-254.5; 215/306, 235,  
215/236

See application file for complete search history.

(56) **References Cited**

**U.S. PATENT DOCUMENTS**

D434,659 S \* 12/2000 Lonczak et al. .... D9/449  
D476,893 S \* 7/2003 Pinnavaia ..... D9/454  
D607,726 S \* 1/2010 Wisniewski ..... D9/449  
D609,568 S \* 2/2010 Mazurkiewicz ..... D9/449  
D649,055 S \* 11/2011 Fracasso ..... D9/503  
D661,583 S \* 6/2012 Santarelli et al. .... D9/449

D664,433 S \* 7/2012 Fracasso ..... D9/449  
D664,849 S \* 8/2012 Fracasso ..... D9/449  
D664,850 S \* 8/2012 Fracasso ..... D9/449

\* cited by examiner

*Primary Examiner* — Susan Bennett Hattan

(74) *Attorney, Agent, or Firm* — Fattibene and Fattibene LLC; Paul A. Fattibene

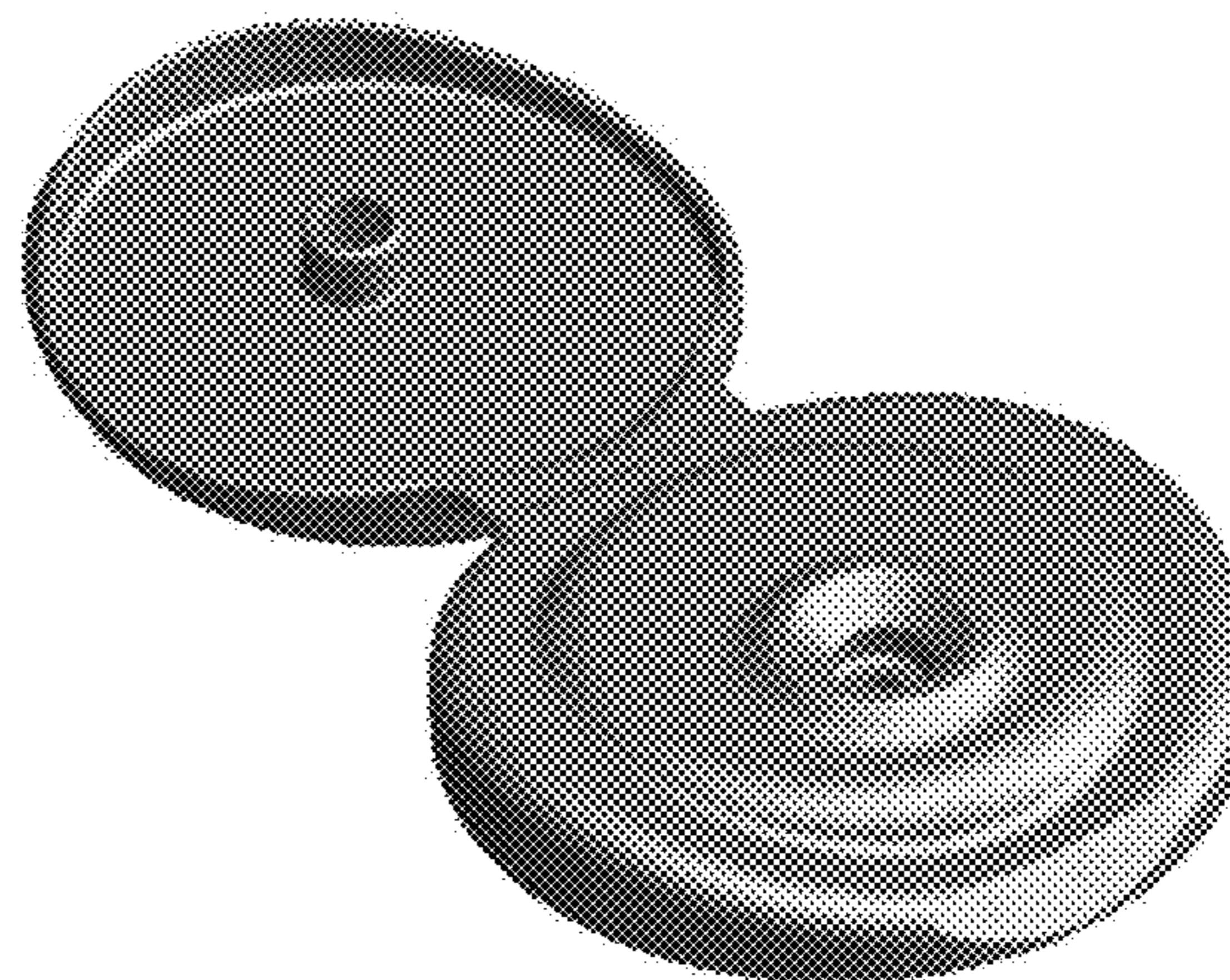
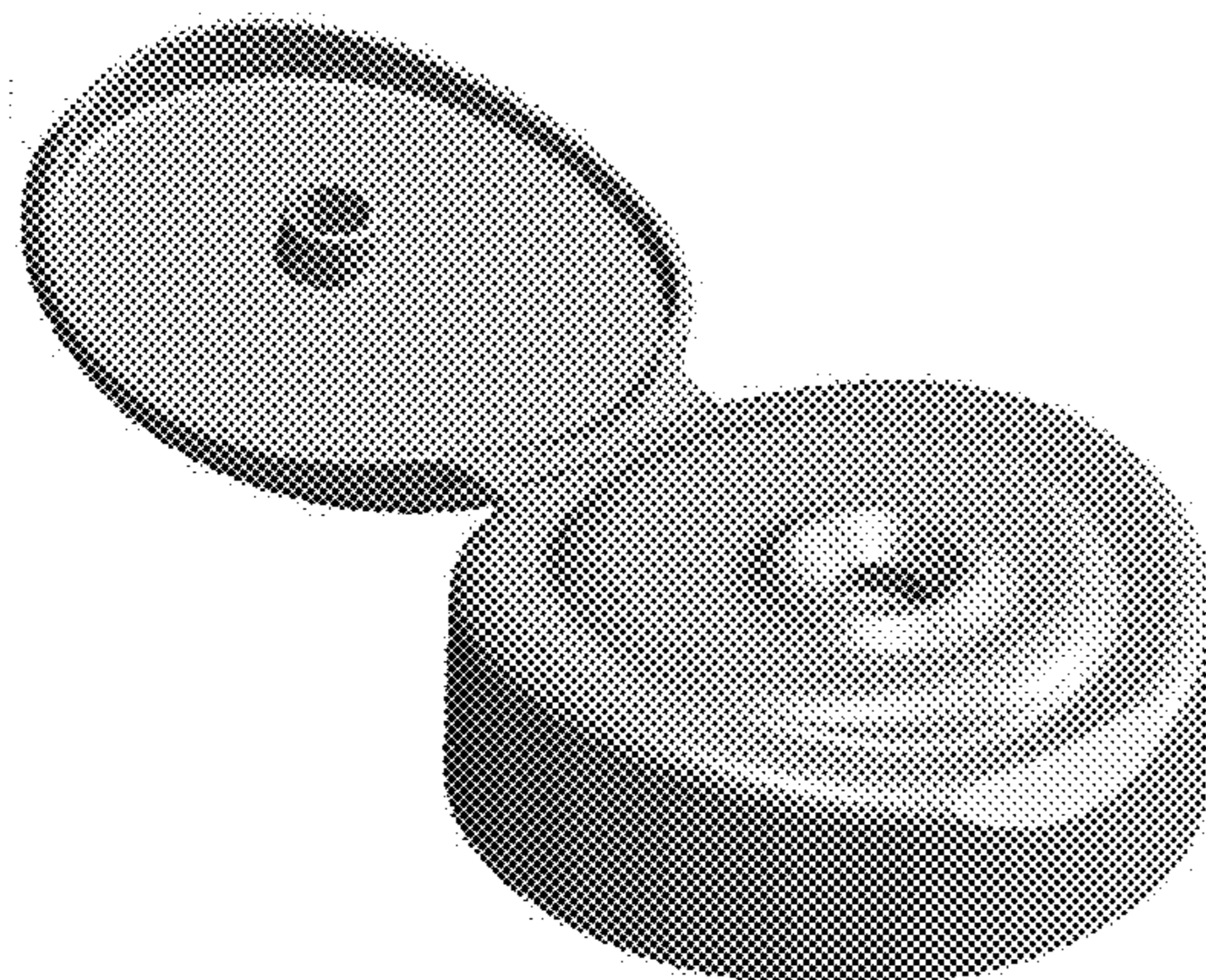
(57) **CLAIM**

The ornamental design for a container cap, as shown and described.

**DESCRIPTION**

FIG. 1 is a front perspective view of a container cap showing the new design with the cap open;  
FIG. 2 is a rear perspective view thereof;  
FIG. 3 is a left side elevation view thereof with the cap open, with the right side elevation view being a mirror image;  
FIG. 4 is a front perspective view thereof with the cap closed;  
FIG. 5 is a front elevation view thereof with the cap closed;  
FIG. 6 is a rear elevation view thereof with the cap closed;  
FIG. 7 is a top plan view thereof with the cap open;  
FIG. 8 is a front perspective view of a second embodiment of a container cap showing the new design with the cap open;  
FIG. 9 is a rear perspective view thereof with the cap open;  
FIG. 10 is a left side elevation view thereof with the cap open, with the right side elevation view being a mirror image;  
FIG. 11 is a front perspective view thereof with the cap closed;  
FIG. 12 is a front elevation view thereof with the cap closed;  
FIG. 13 is a rear elevation view thereof with the cap closed;  
and,  
FIG. 14 is a top plan view thereof with the cap open.

**1 Claim, 14 Drawing Sheets**



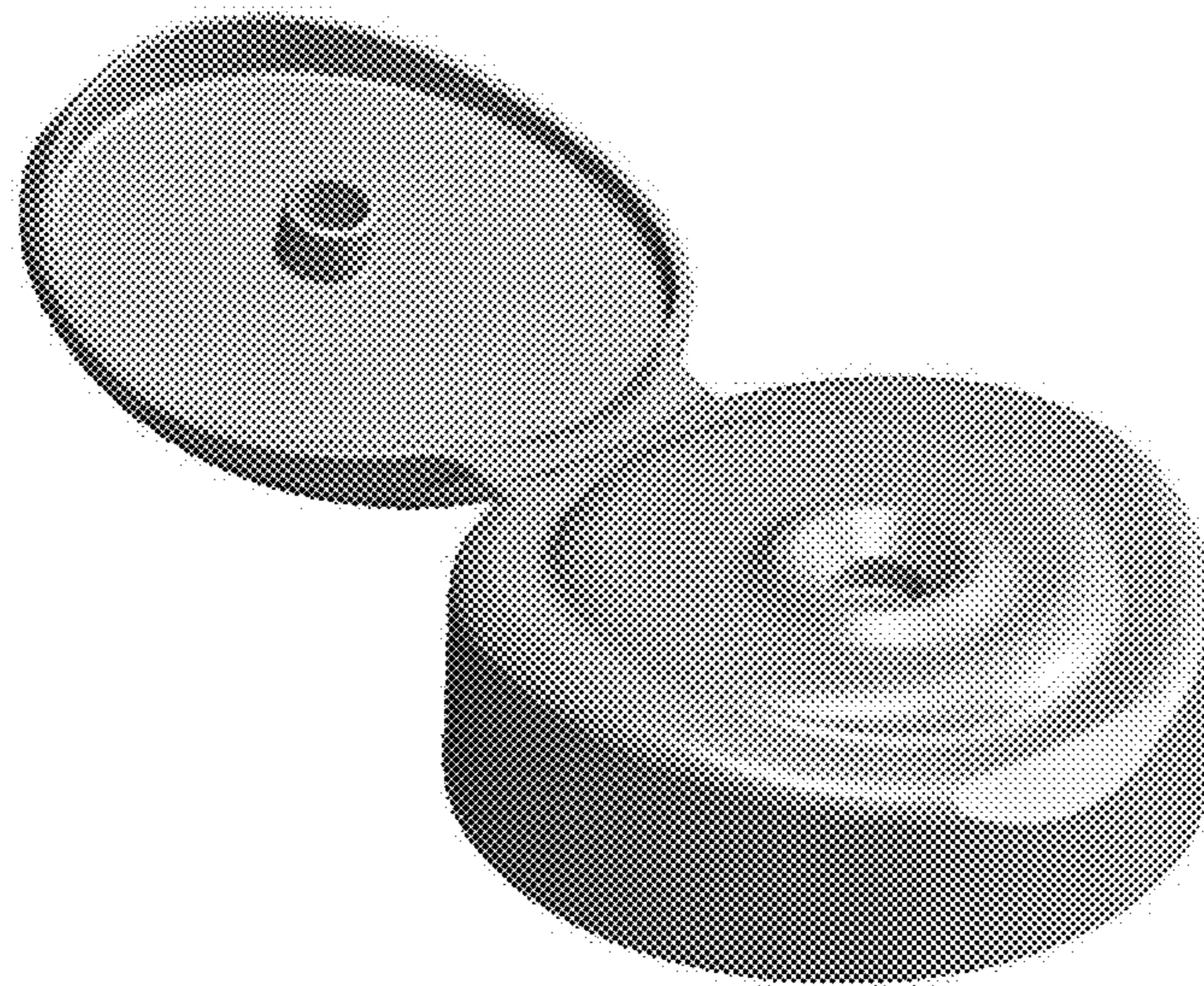


Fig. 1

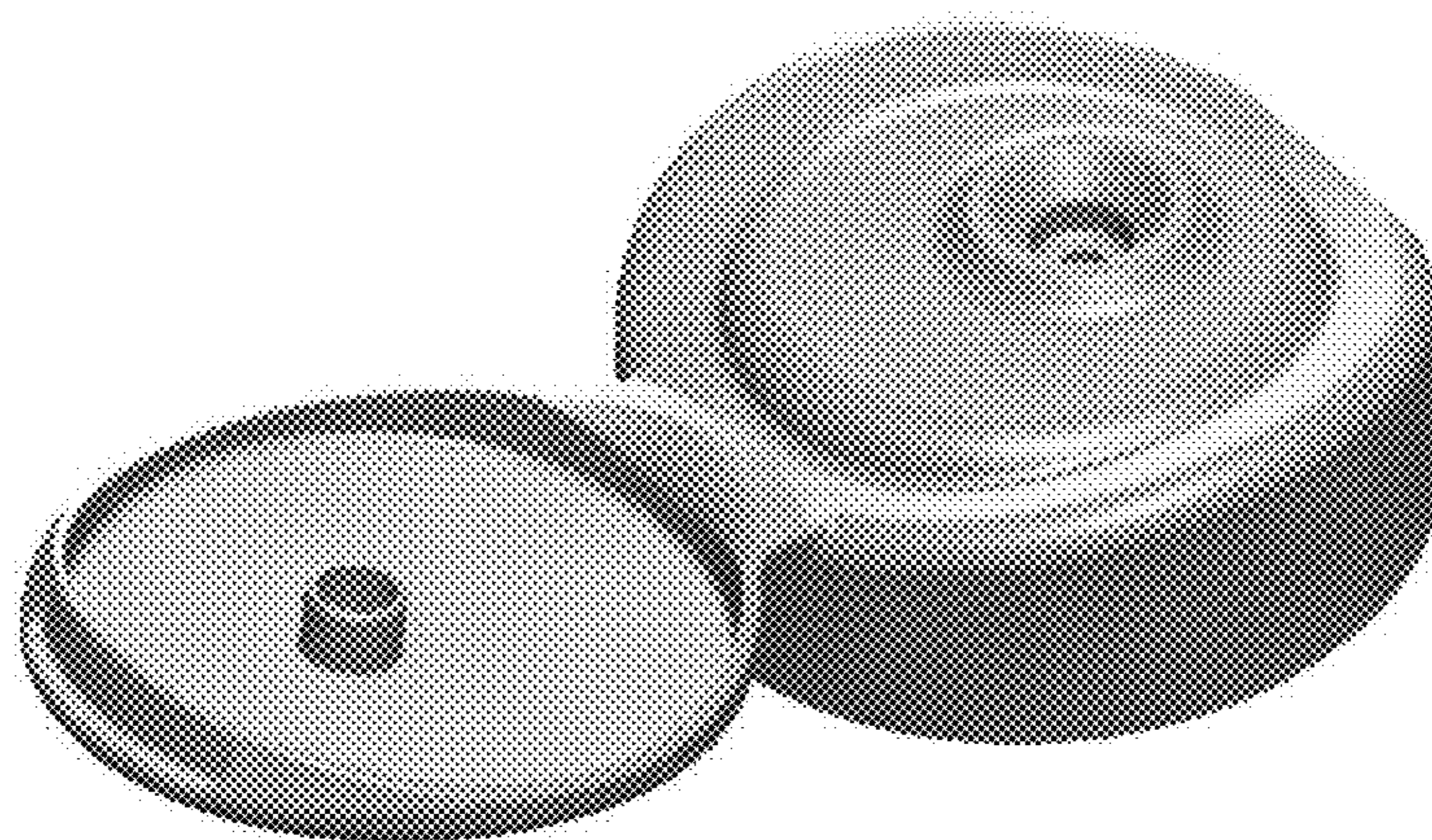


Fig. 2

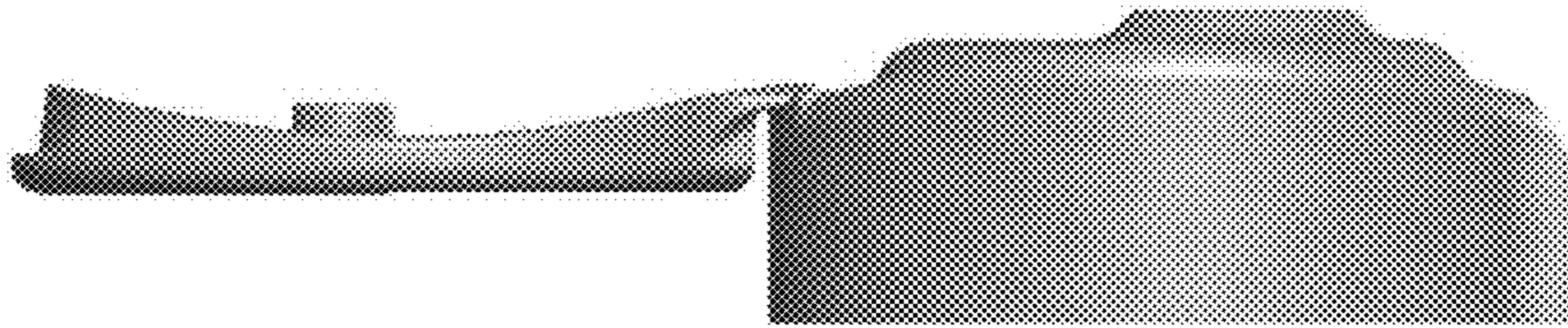


Fig. 3

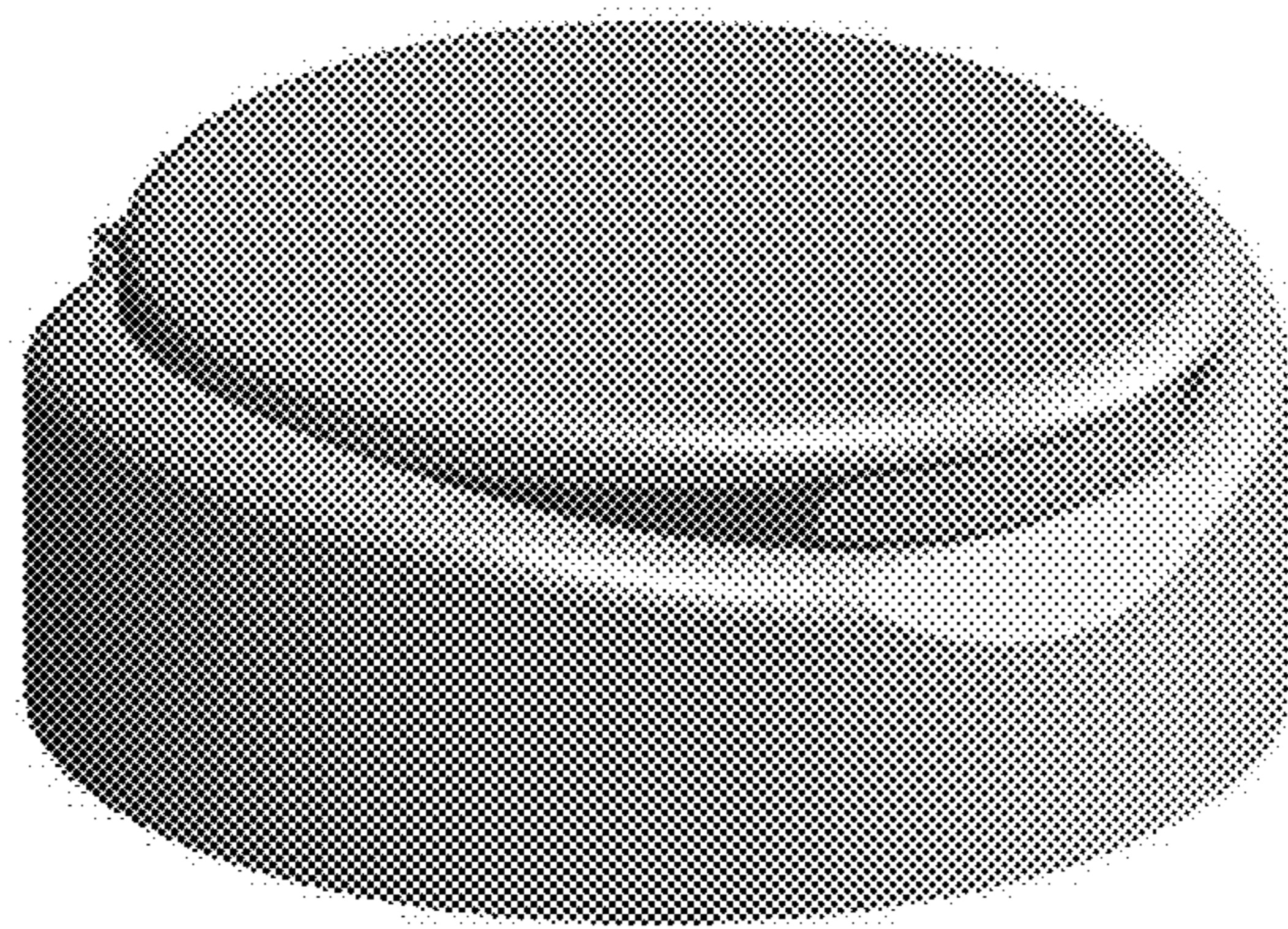


Fig. 4

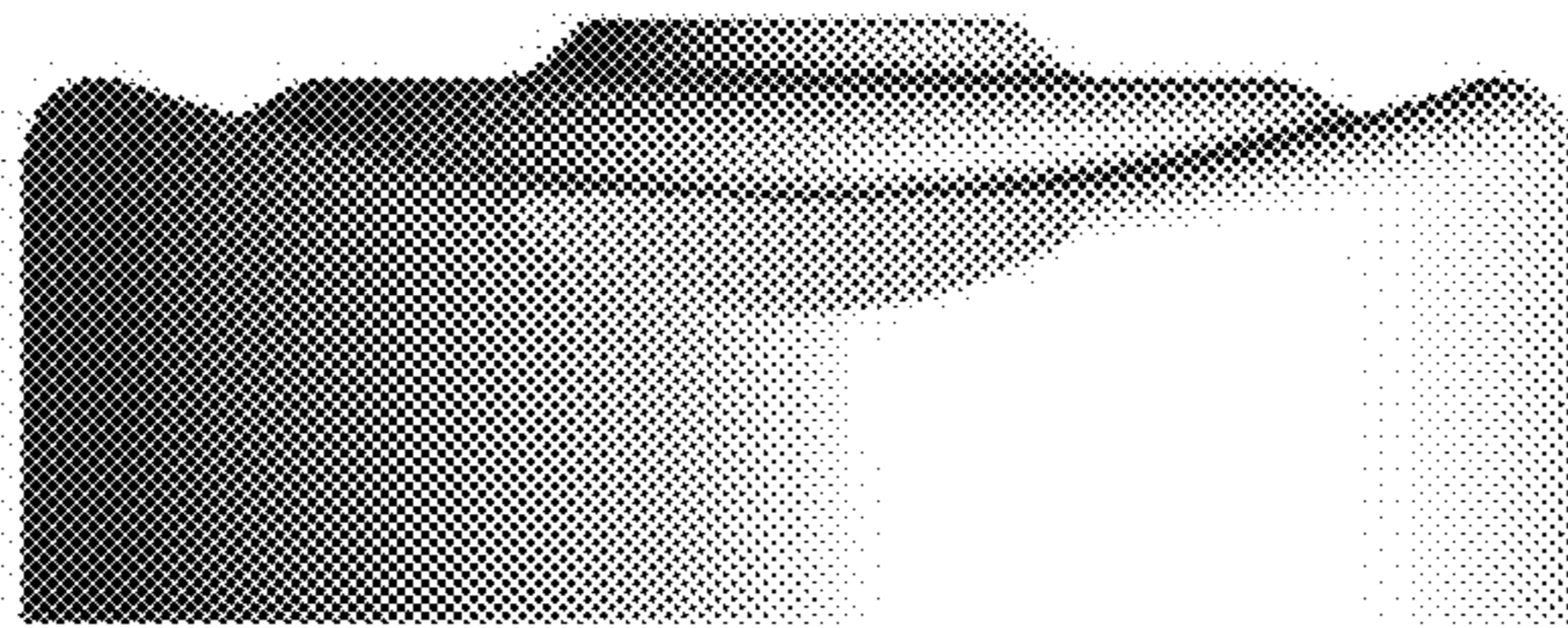


Fig. 5

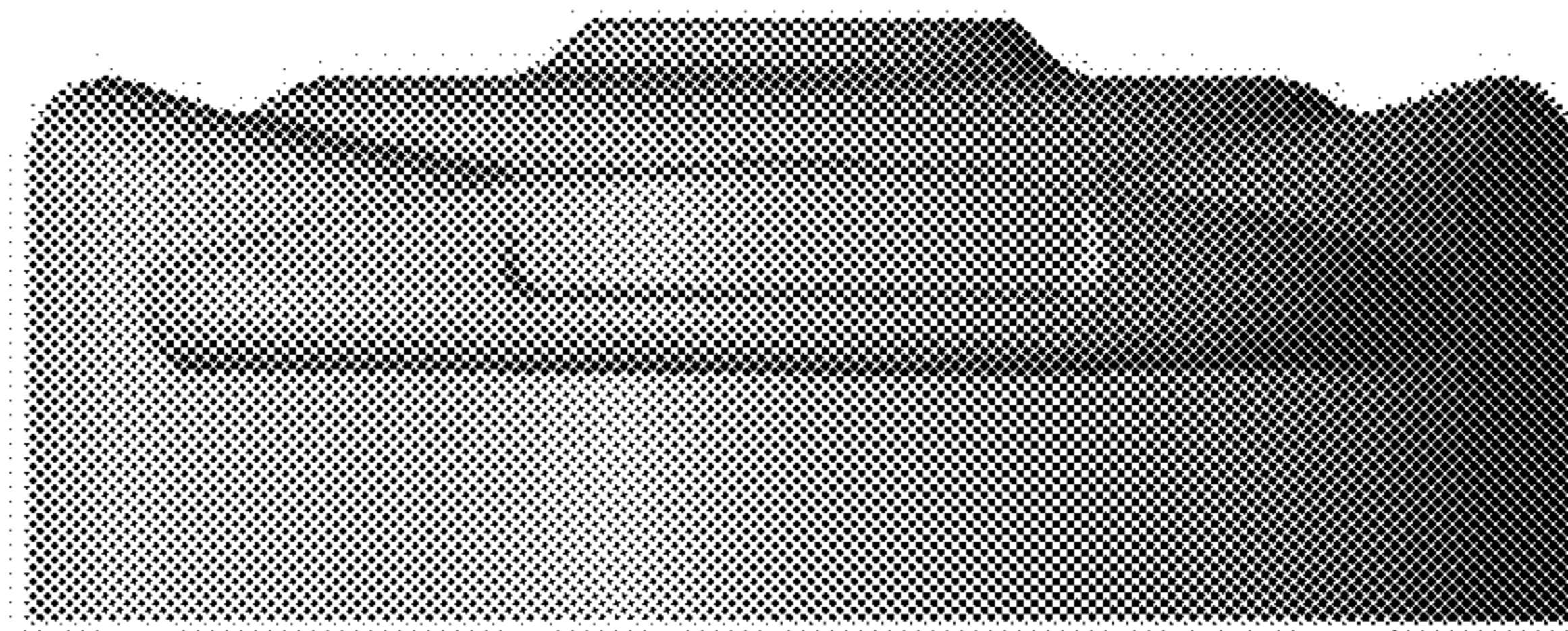


Fig. 6

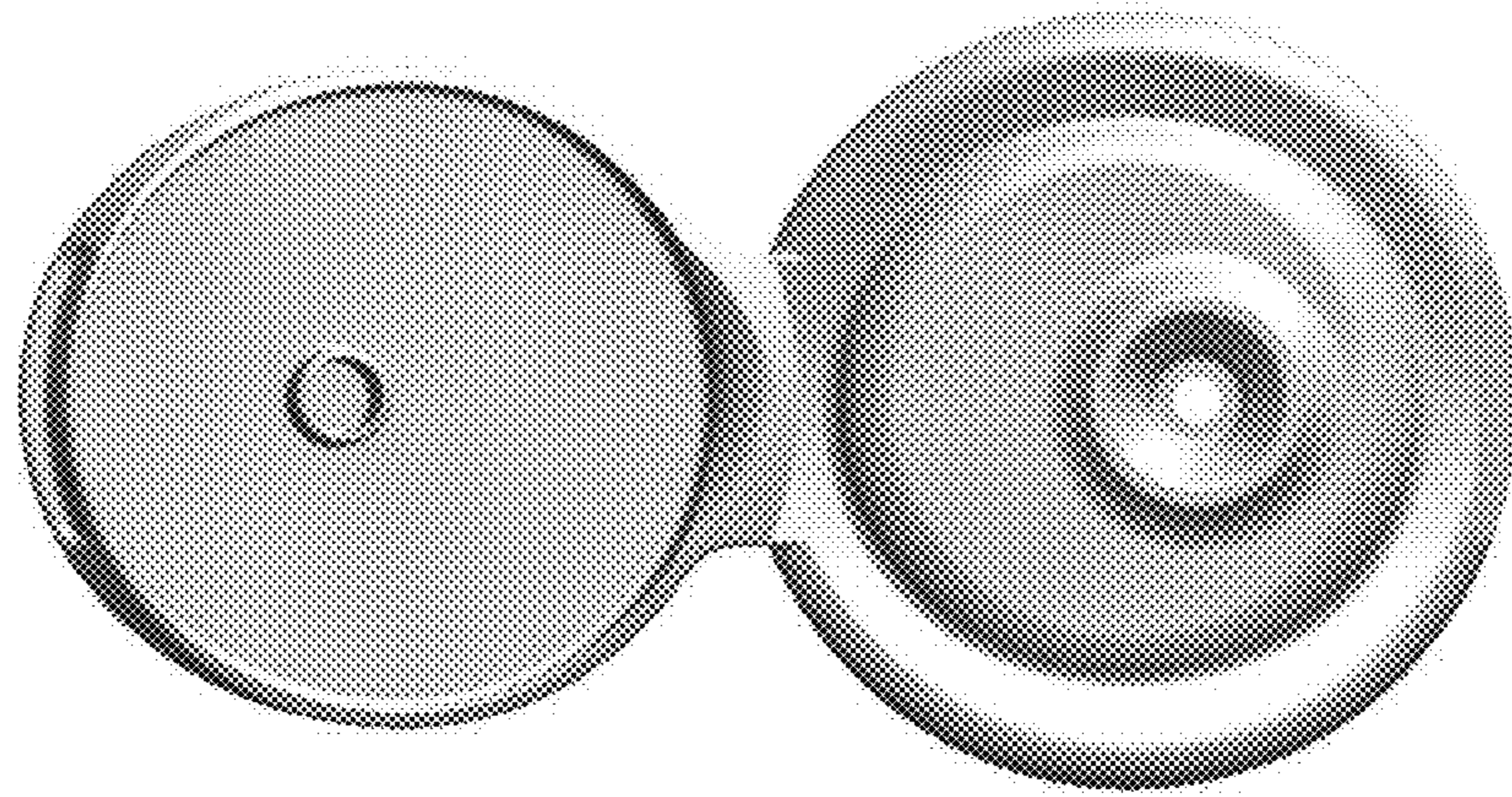


Fig. 7



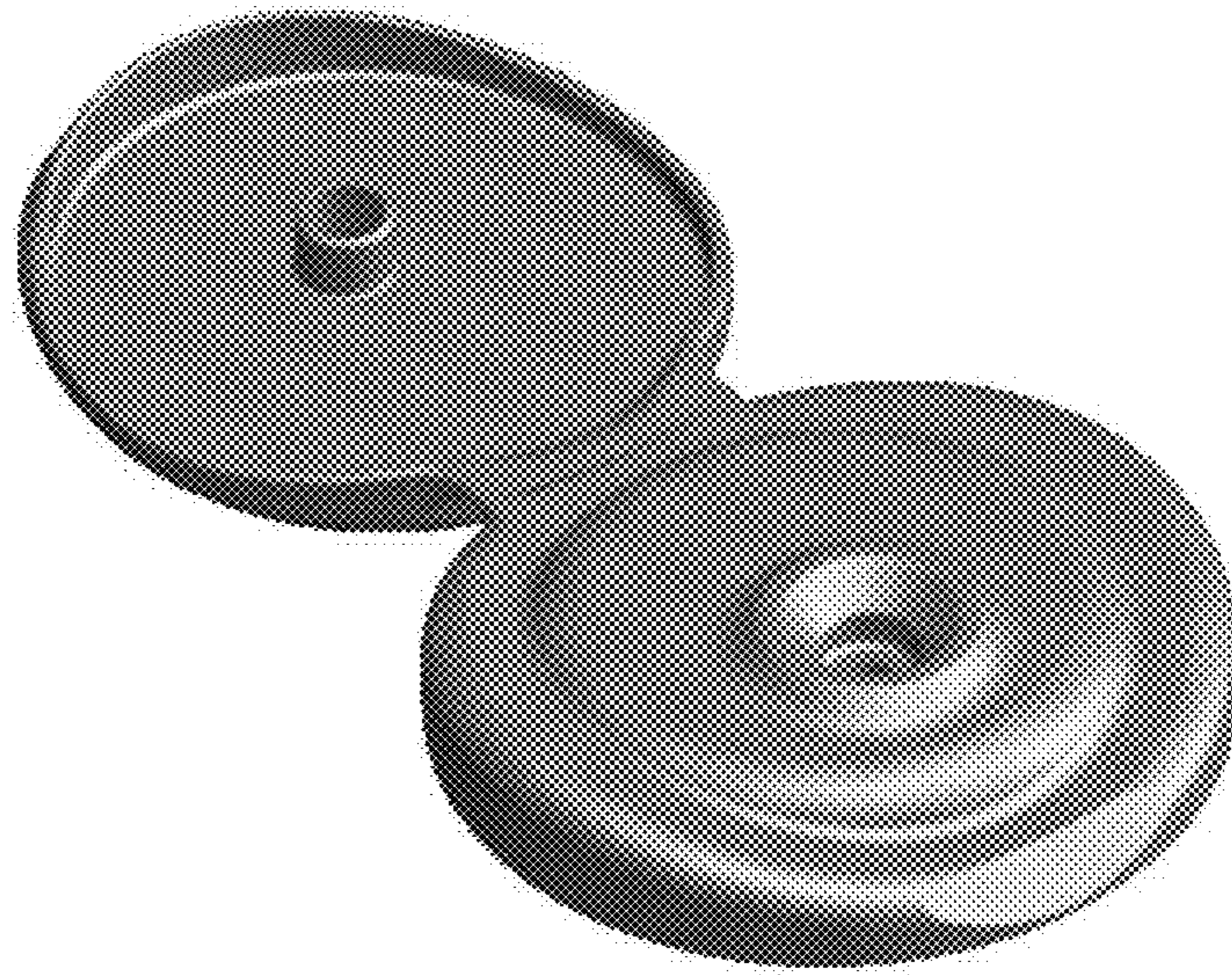


Fig. 8

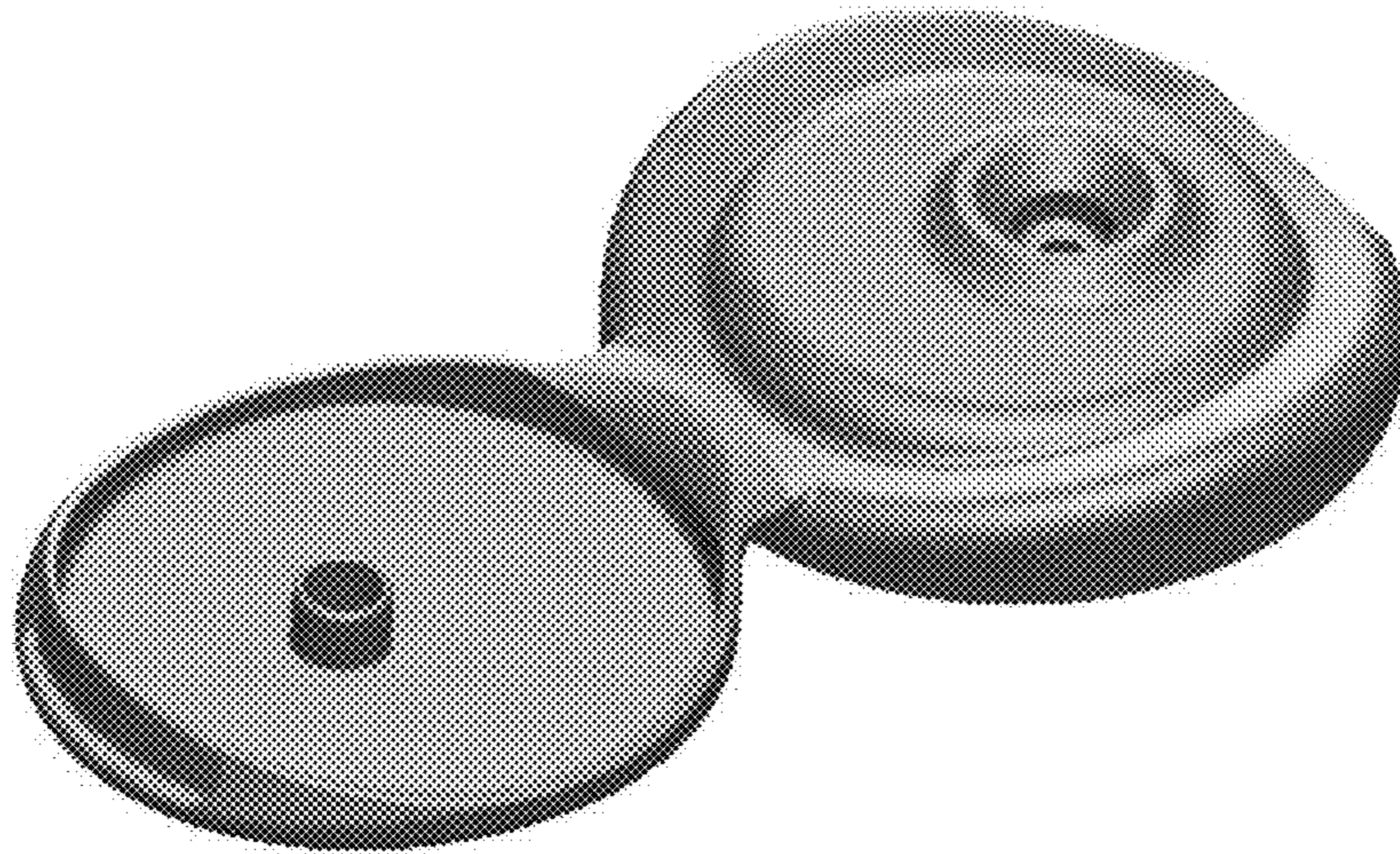


Fig. 9



Fig. 10

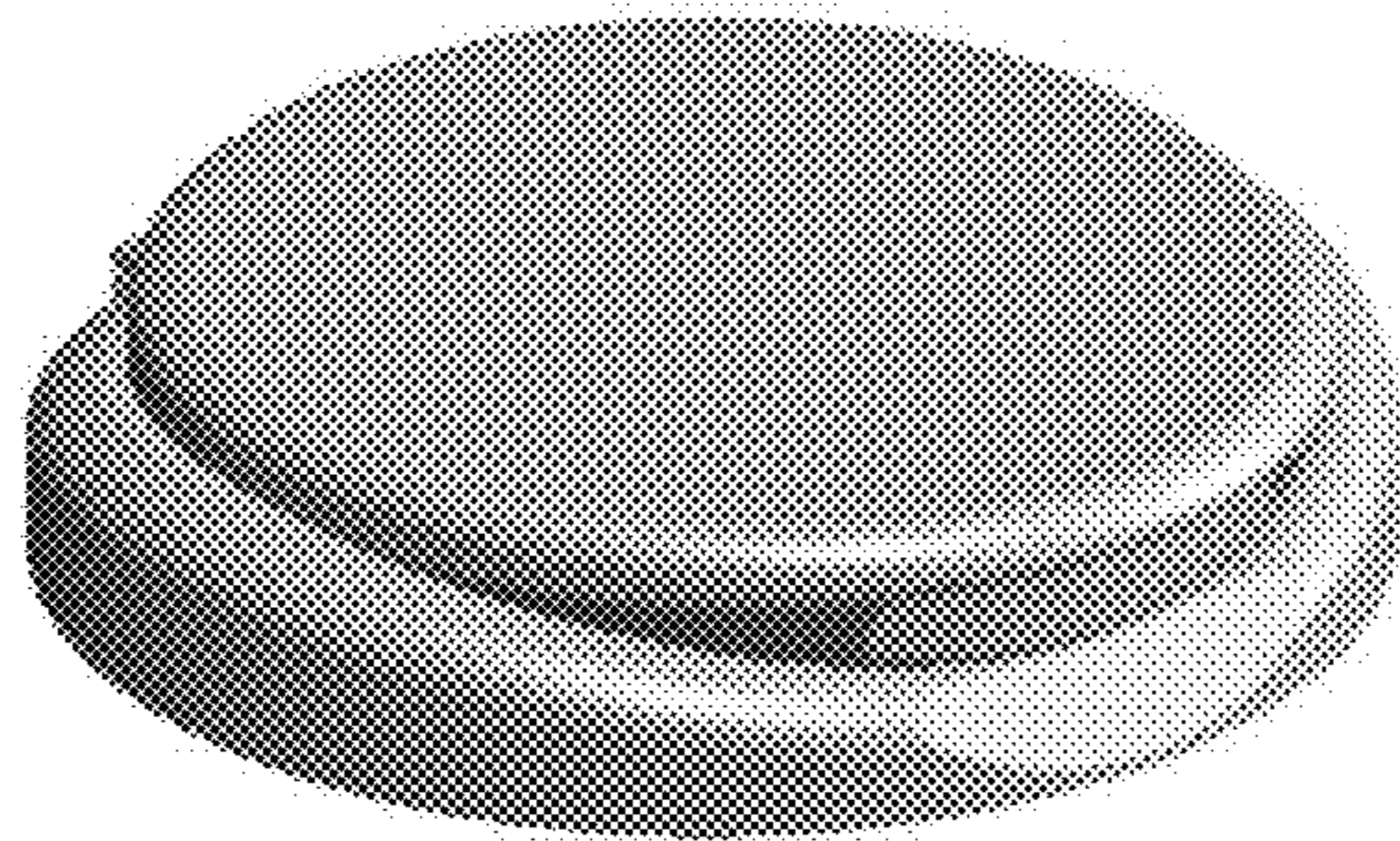


Fig. 11



Fig. 12

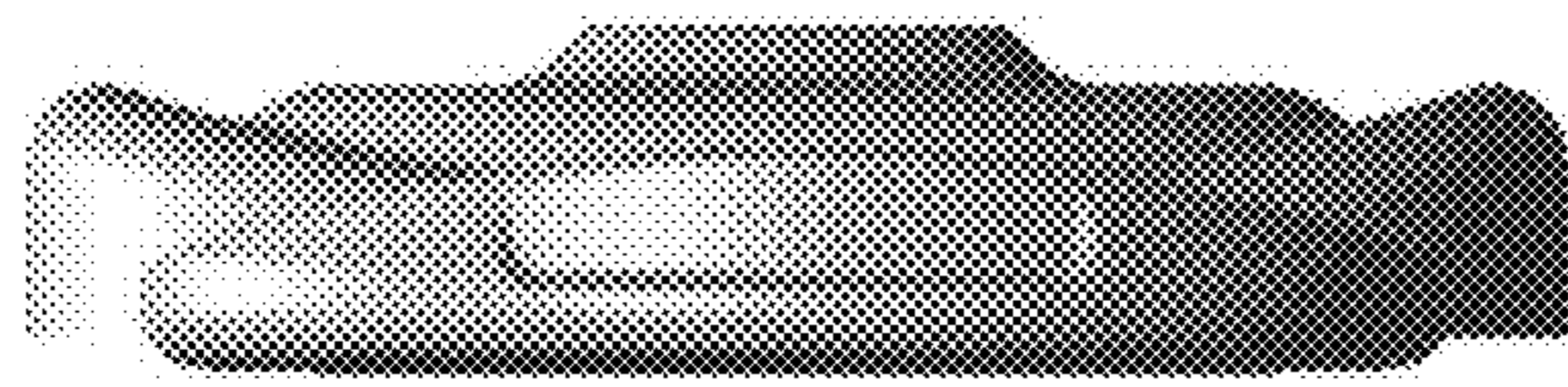


Fig. 13

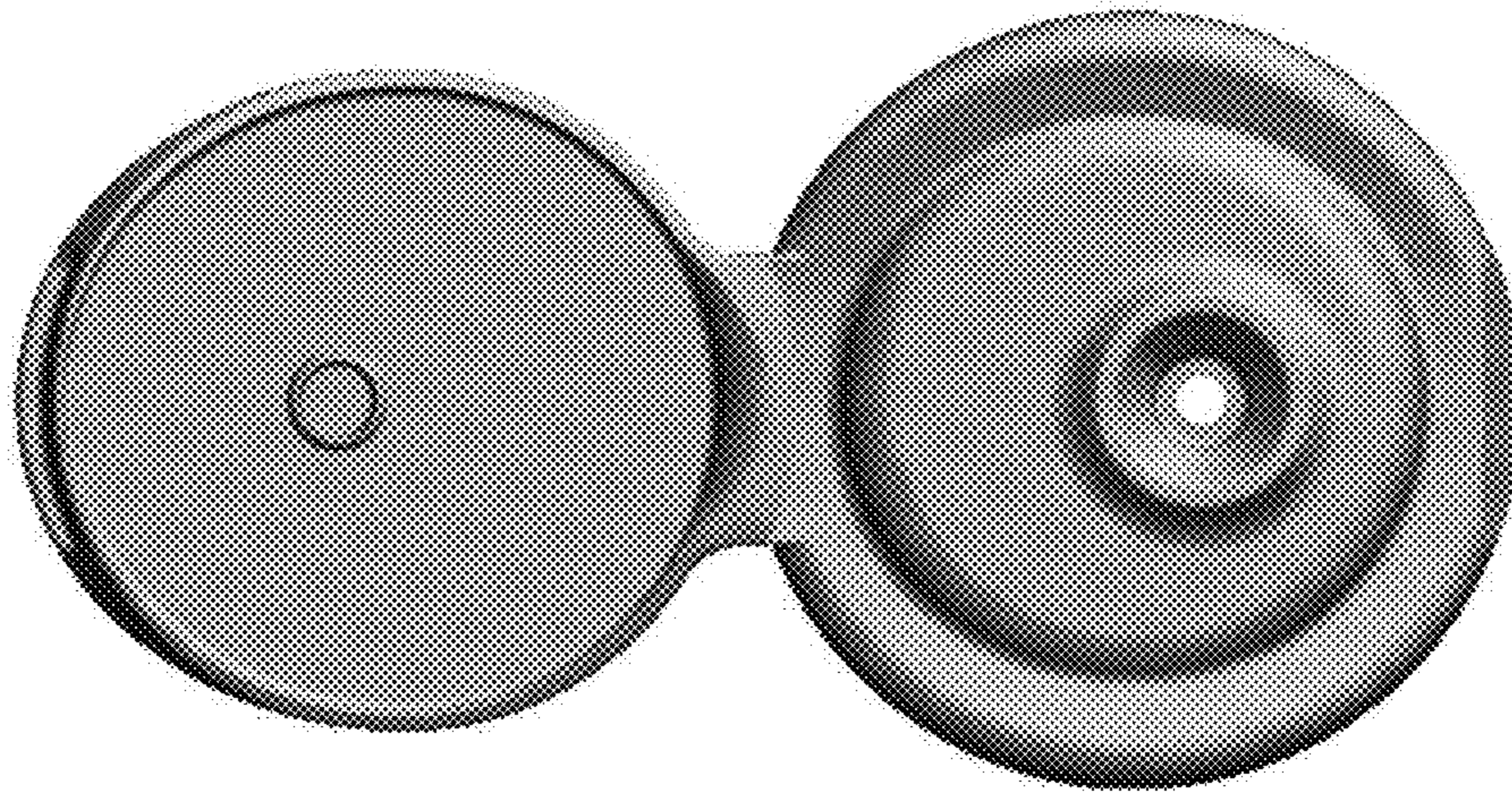


Fig. 14