



US00D680433S

(12) **United States Design Patent**
Lepage

(10) **Patent No.:** **US D680,433 S**

(45) **Date of Patent:** **** Apr. 23, 2013**

(54) **CLOSING DEVICE**

(75) Inventor: **Francis Lepage**, Dommartin (FR)

(73) Assignee: **Obrist Closures Switzerland GmbH**,
Reinach (CH)

(**) Term: **14 Years**

(21) Appl. No.: **29/383,351**

(22) Filed: **Jan. 14, 2011**

(30) **Foreign Application Priority Data**

Jul. 16, 2010 (EM) 001226062-0001
Jul. 16, 2010 (EM) 001226062-0002

(51) **LOC (9) Cl.** **09-07**

(52) **U.S. Cl.**
USPC **D9/449; D9/447**

(58) **Field of Classification Search** D9/529,
D9/503, 454, 453, 452, 450, 449, 447, 446,
D9/442, 440, 435, 900; D7/392.1; 222/556,
222/521, 494, 492, 212; 220/837, 835, 820,
220/811, 810, 375, 260, 245.7, 254.3; 215/322,
215/321, 306, 305, 237, 235; 206/540, 539,
206/538, 216

See application file for complete search history.

(56) **References Cited**

U.S. PATENT DOCUMENTS

5,067,624 A 11/1991 Thanisch
D418,364 S * 1/2000 Demore D7/392.1
D459,228 S * 6/2002 Hierzer D9/446

(Continued)

FOREIGN PATENT DOCUMENTS

FR 2 540 834 2/1983
JP 2001278321 10/2001
JP 2009001309 1/2008
JP 2008100749 5/2008

Primary Examiner — Susan Bennett Hattan

(74) *Attorney, Agent, or Firm* — Weide & Miller, Ltd.

(57) **CLAIM**

The ornamental design for a closing device, as shown and described.

DESCRIPTION

FIG. 1 is a front perspective view of the closing device in the closed position;

FIG. 2 is a rear perspective view of the closing device in the closed position;

FIG. 3 is a front plan view of the closing device in the closed position;

FIG. 4 is a rear plan view of the closing device in the closed position;

FIG. 5 is a side plan view of the closing device in the closed position;

FIG. 6 is a top plan view of the closing device in the closed position;

FIG. 7 is a bottom plan view of the closing device in the closed position;

FIG. 8 is a front perspective view of the closing device in the opened position;

FIG. 9 is a rear perspective view of the closing device in the opened position;

FIG. 10 is a front plan view of the closing device in the opened position;

FIG. 11 is a rear plan view of the closing device in the opened position;

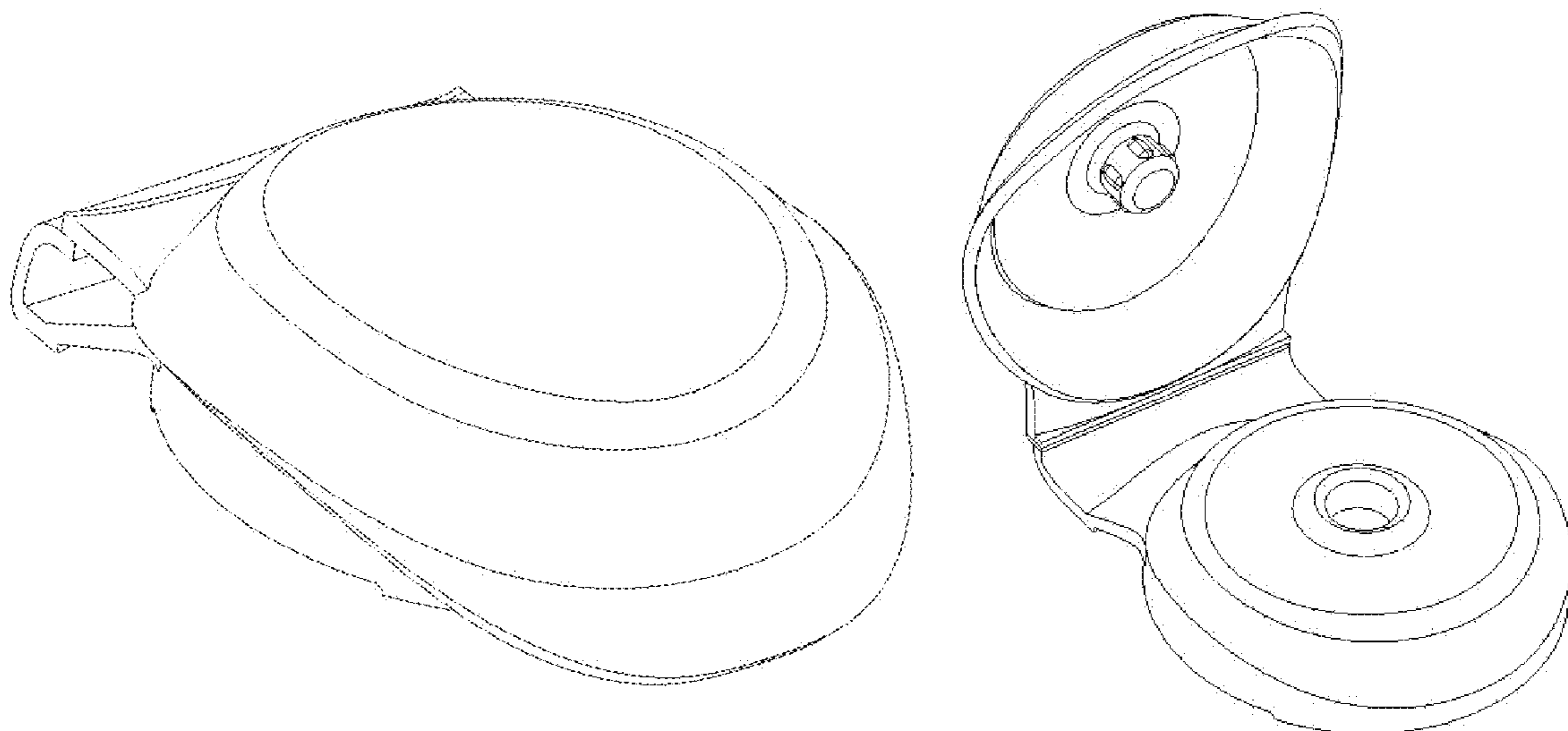
FIG. 12 is a side plan view of the closing device in the opened position;

FIG. 13 is a top plan view of the closing device in the opened position; and,

FIG. 14 is a bottom plan view of the closing device in the opened position.

The broken line showing the underside of the closing device depicts environmental subject matter only and forms no part of the claimed design.

1 Claim, 14 Drawing Sheets



US D680,433 S

Page 2

U.S. PATENT DOCUMENTS

D591,153 S *	4/2009	Strepkoff	D9/449	D641,241 S *	7/2011	Goto et al.	D9/449
D598,753 S *	8/2009	Schwartz et al.	D9/449	8,215,506 B2 *	7/2012	Soehnlén et al.	215/235
D611,812 S *	3/2010	Tardif	D9/449	2004/0099692 A1	5/2004	Dambricourt	
D628,483 S *	12/2010	McKinney et al.	D9/449				

* cited by examiner

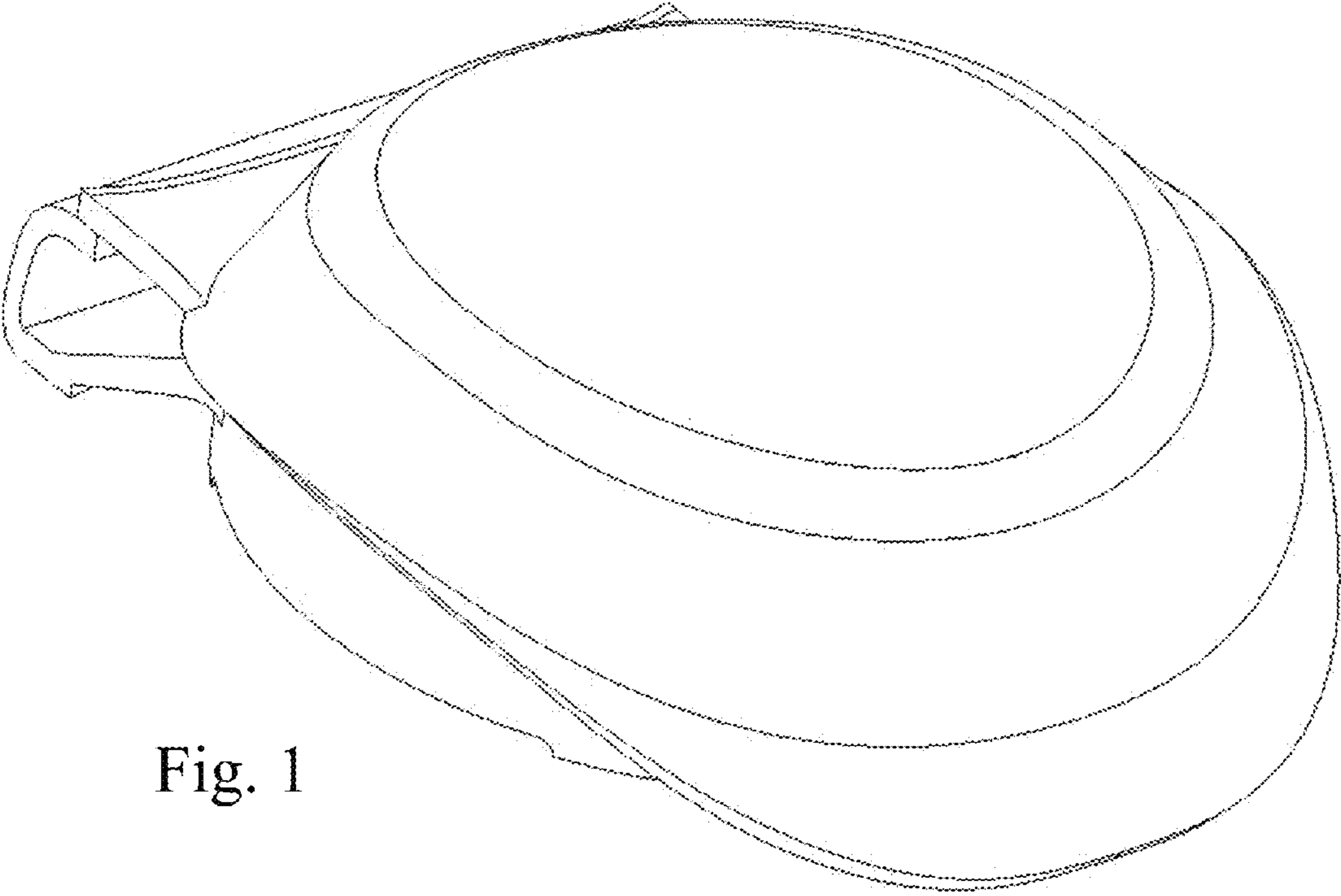


Fig. 1

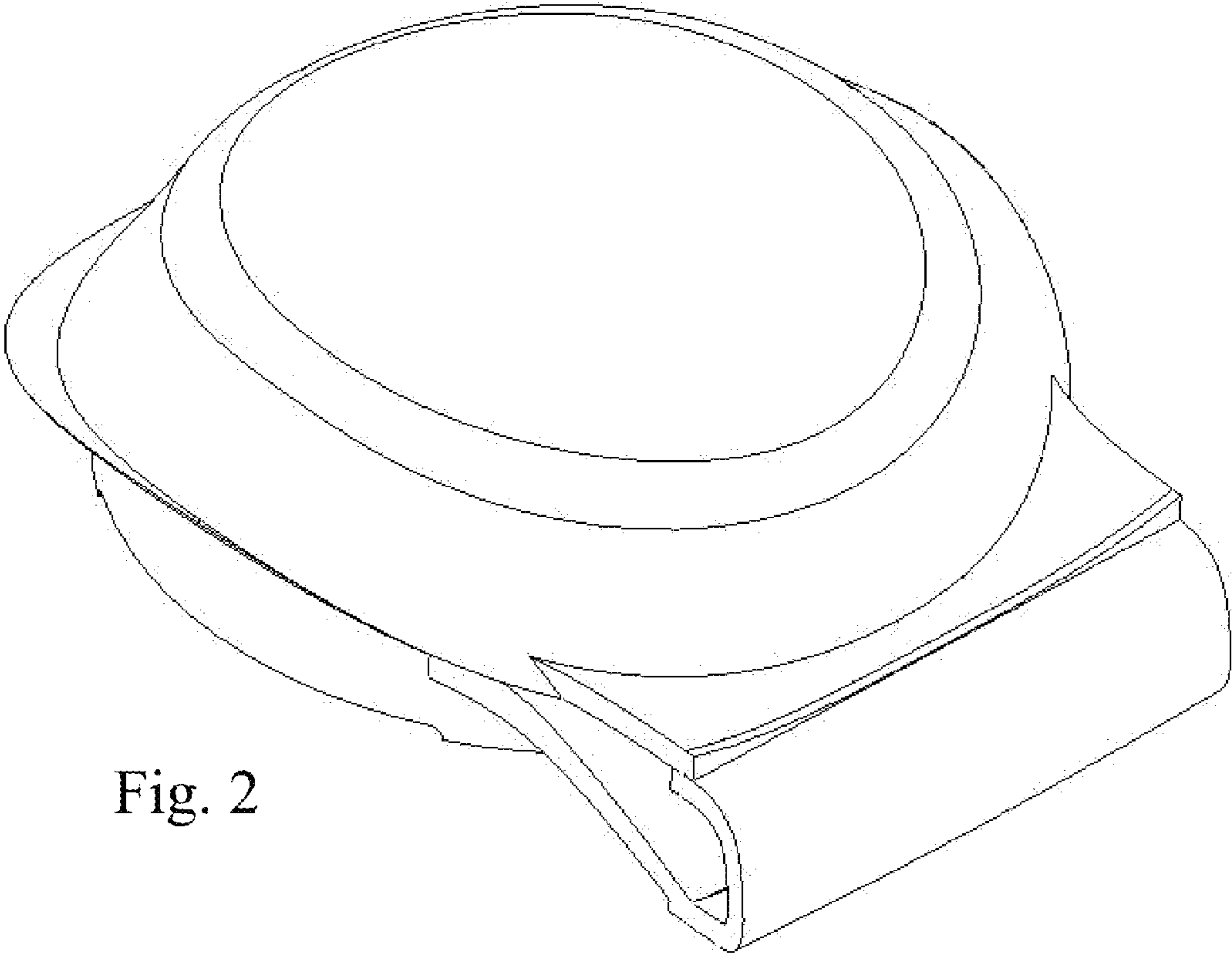


Fig. 2

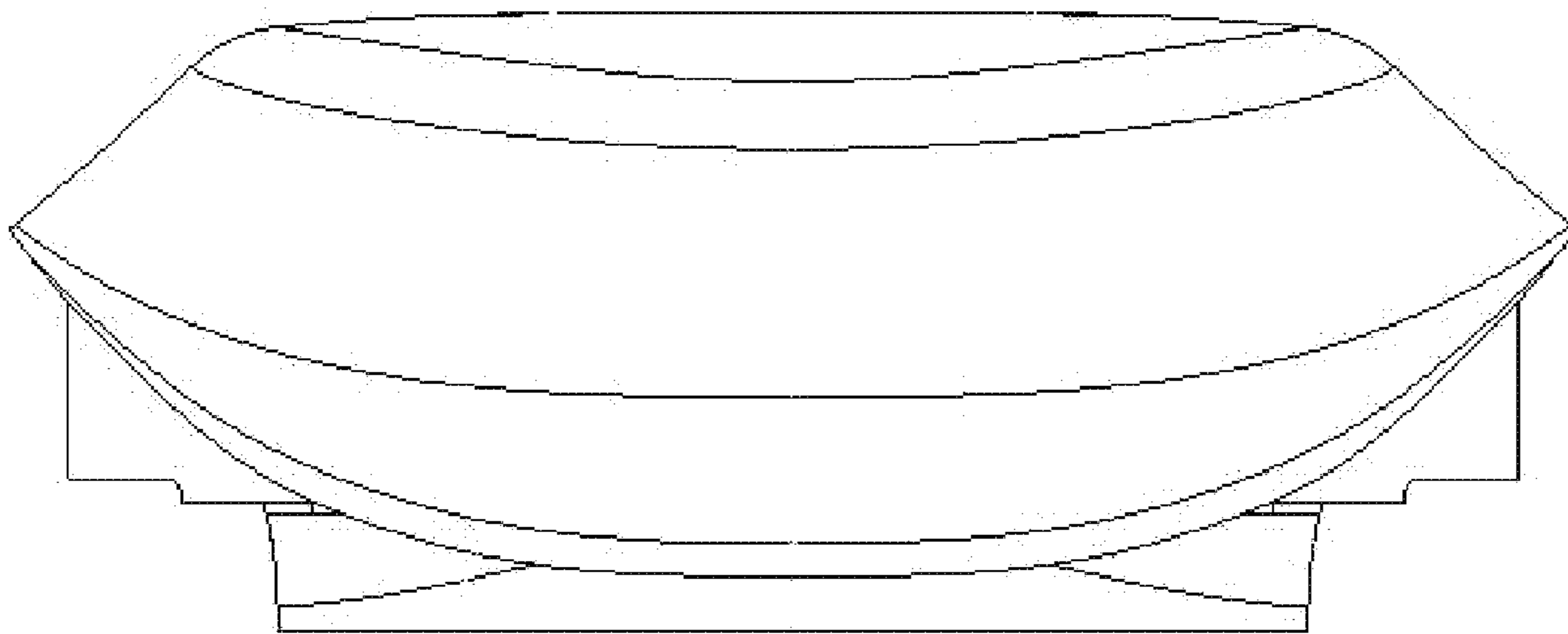


Fig. 3

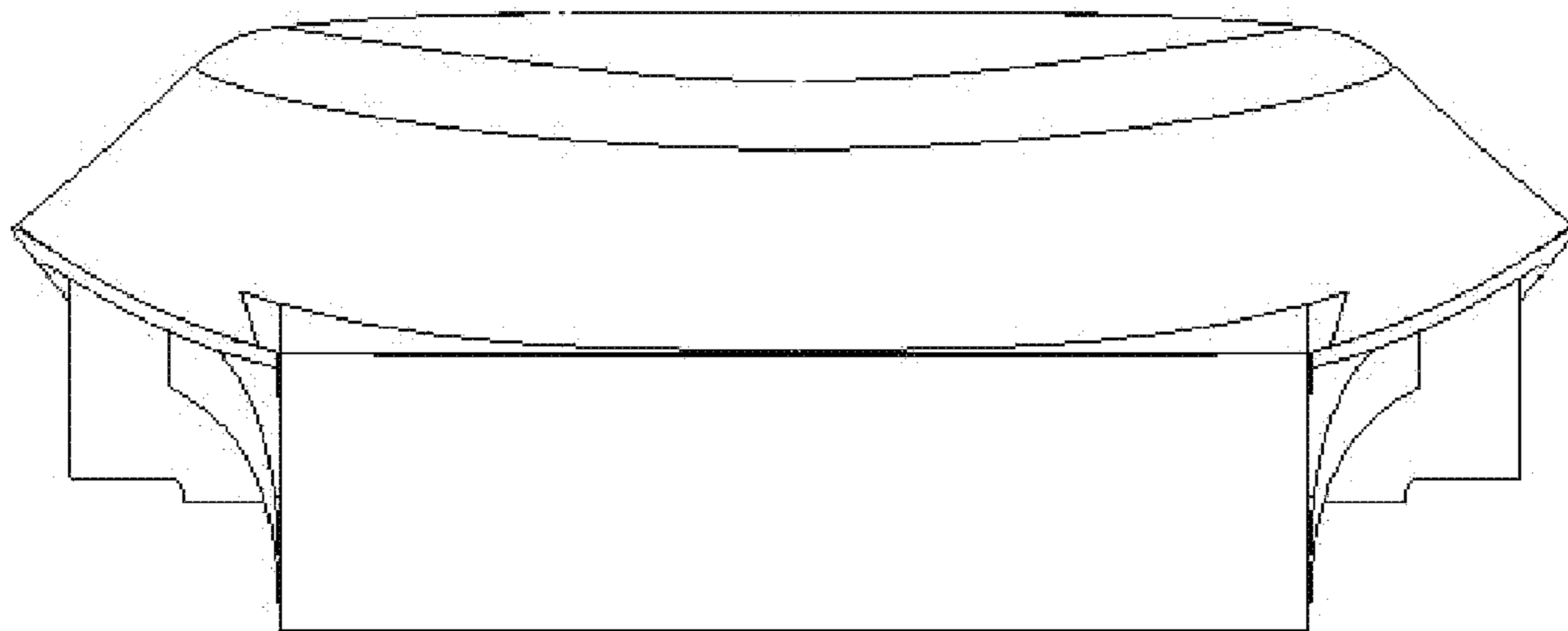


Fig. 4

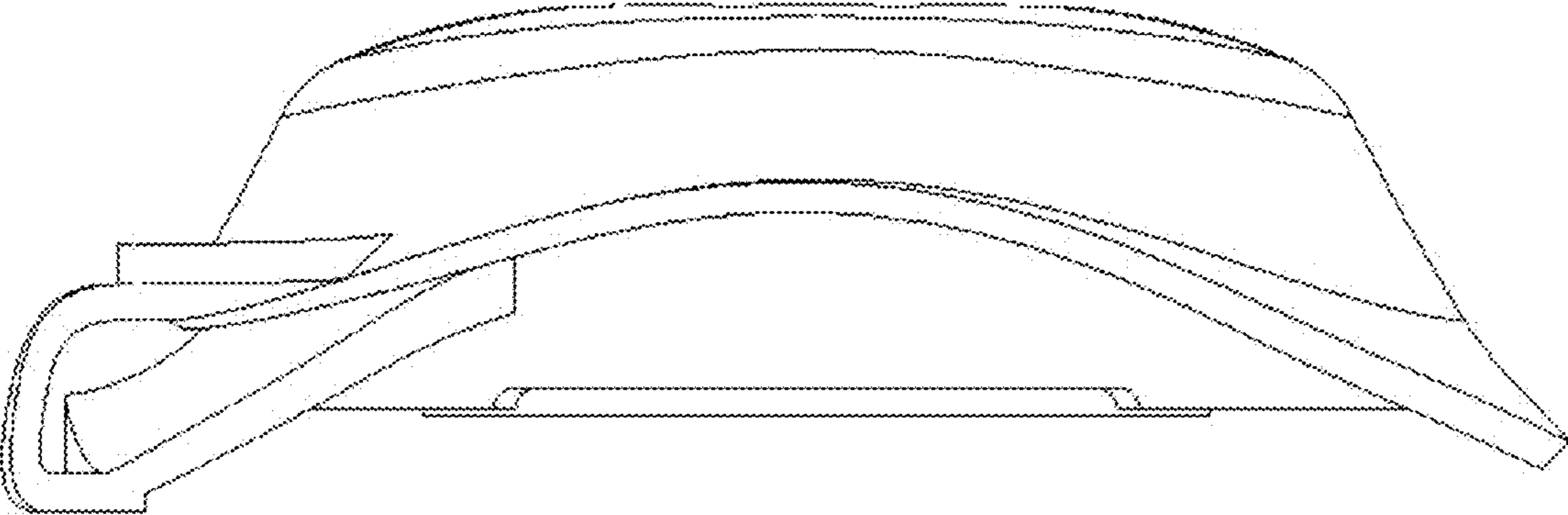


Fig. 5

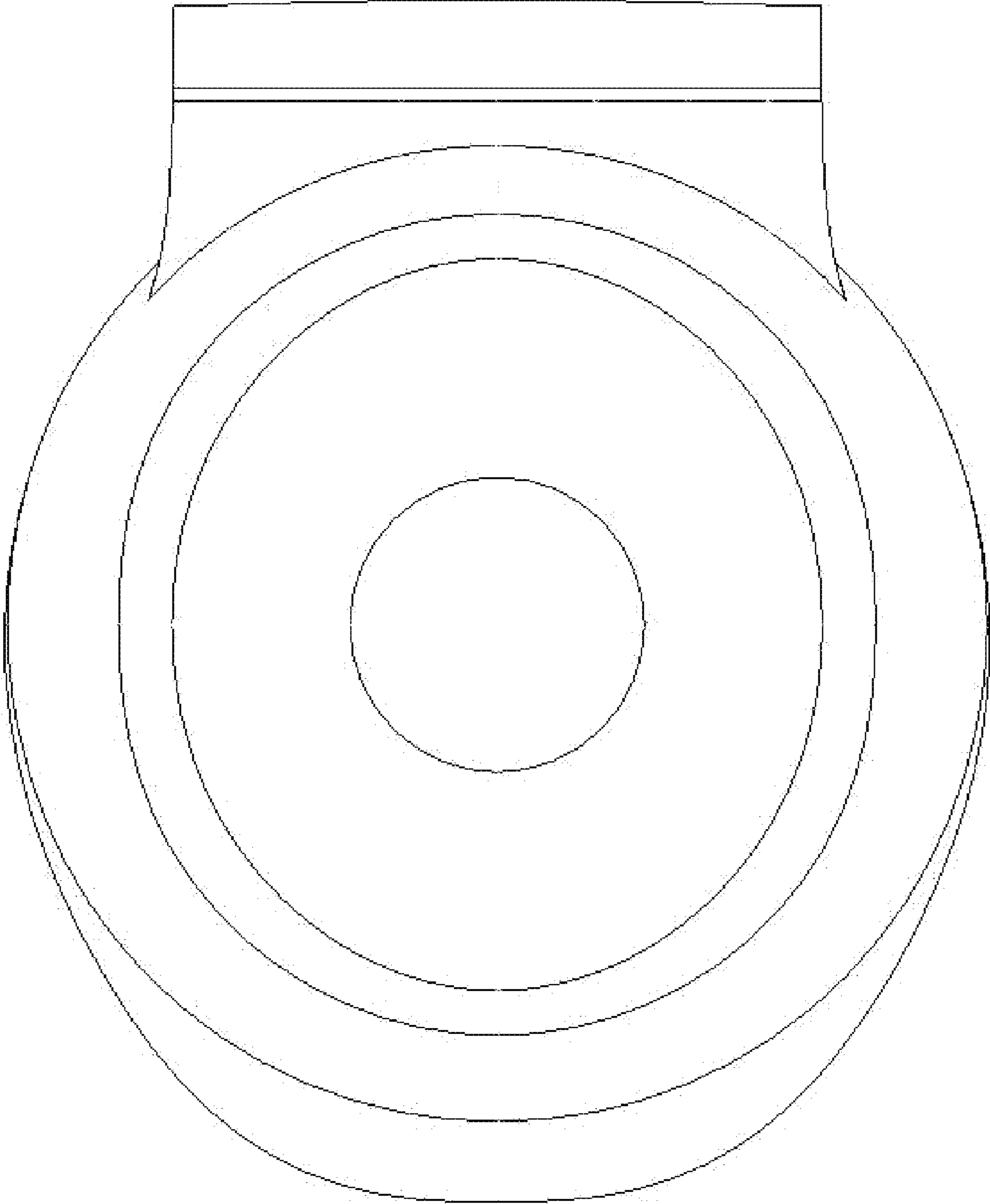


Fig. 6

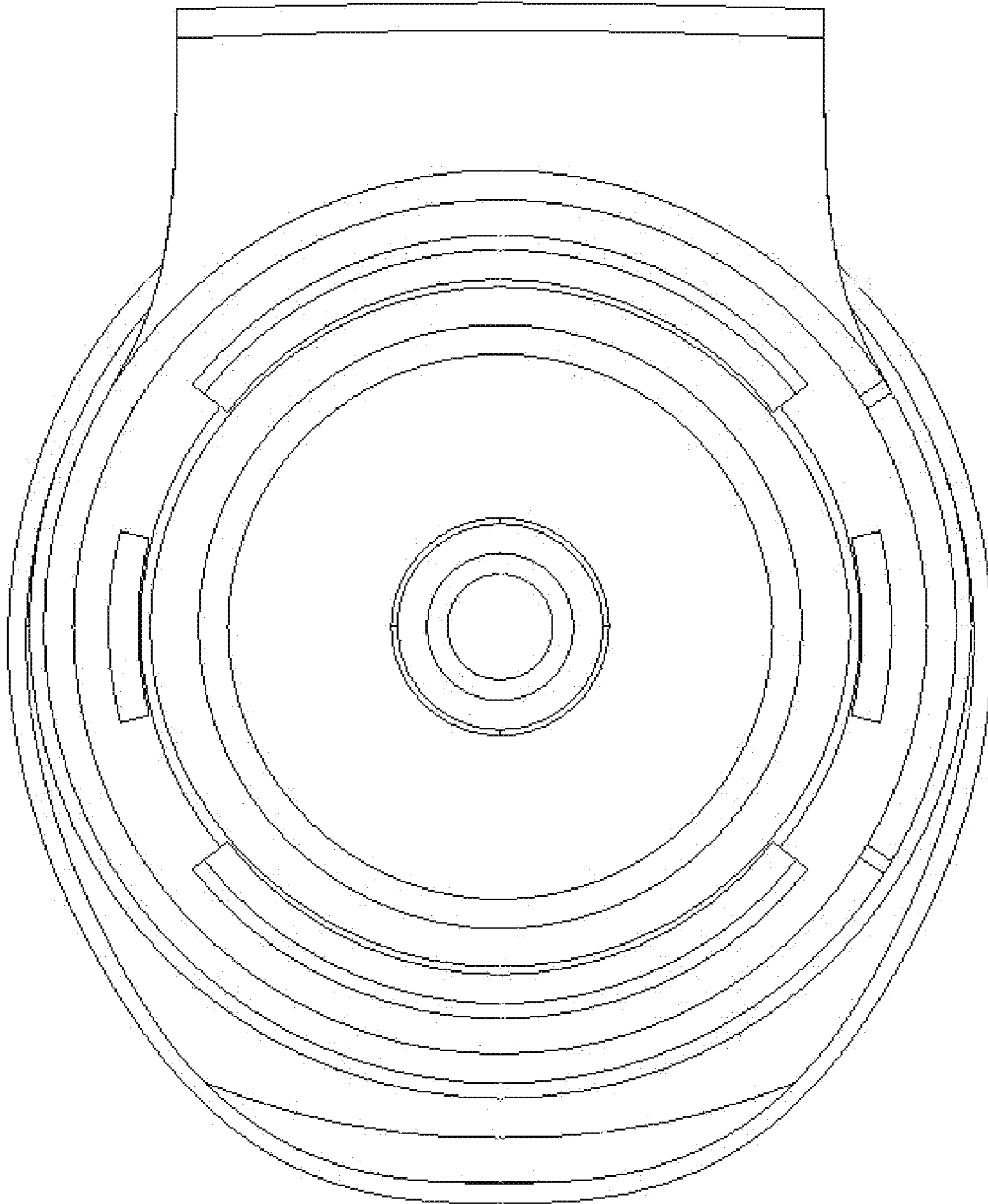


Fig. 7

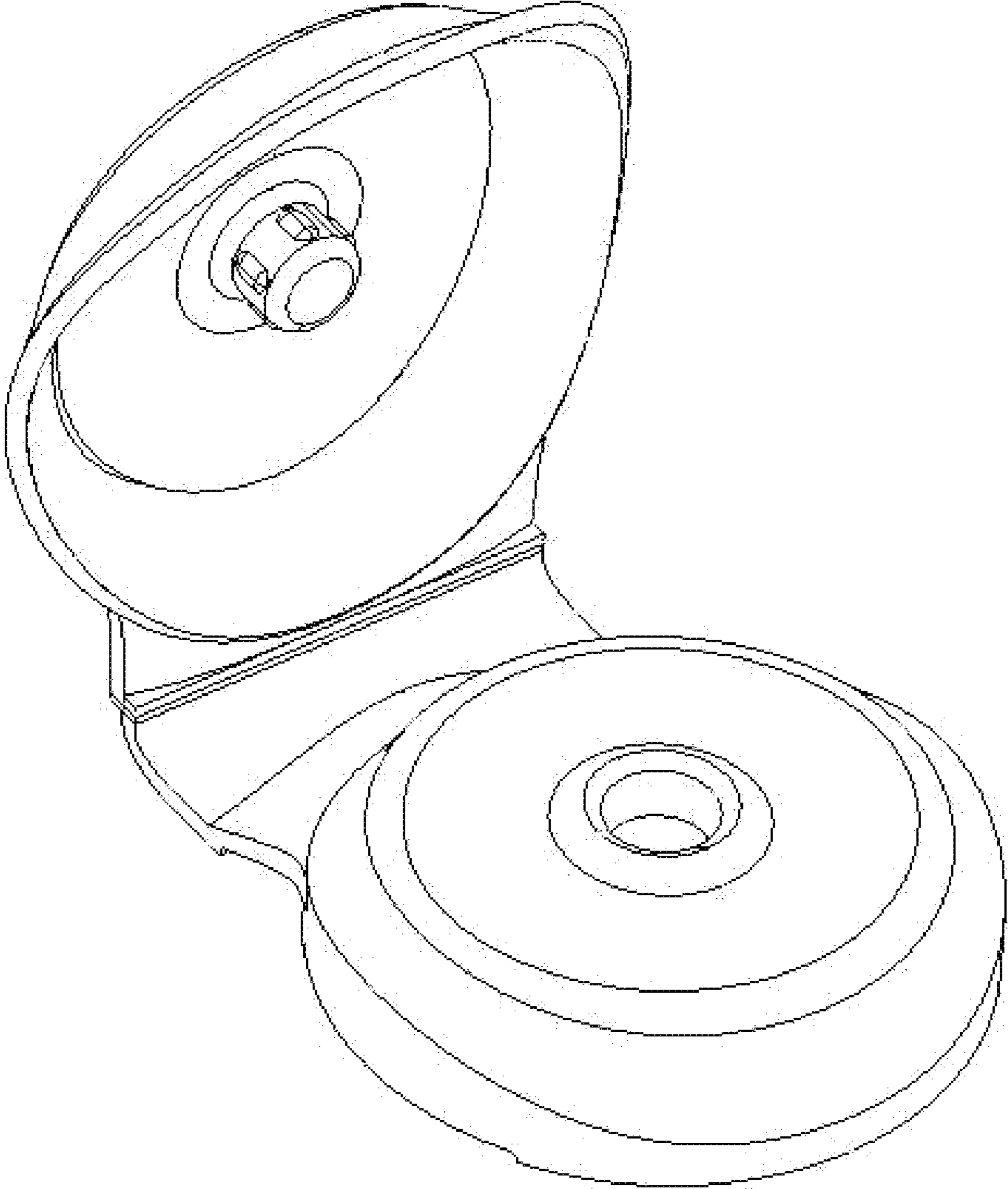


Fig. 8

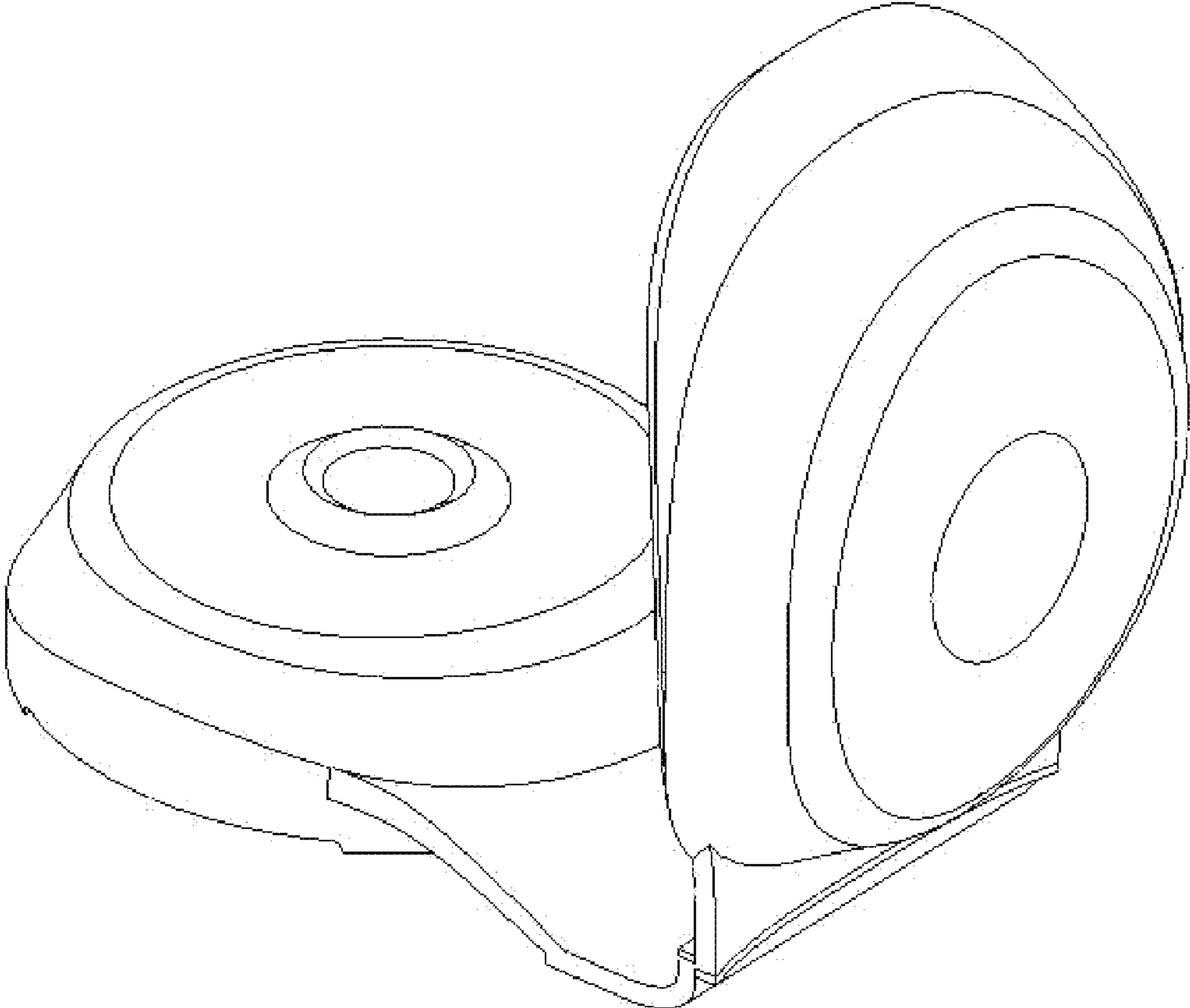


Fig. 9

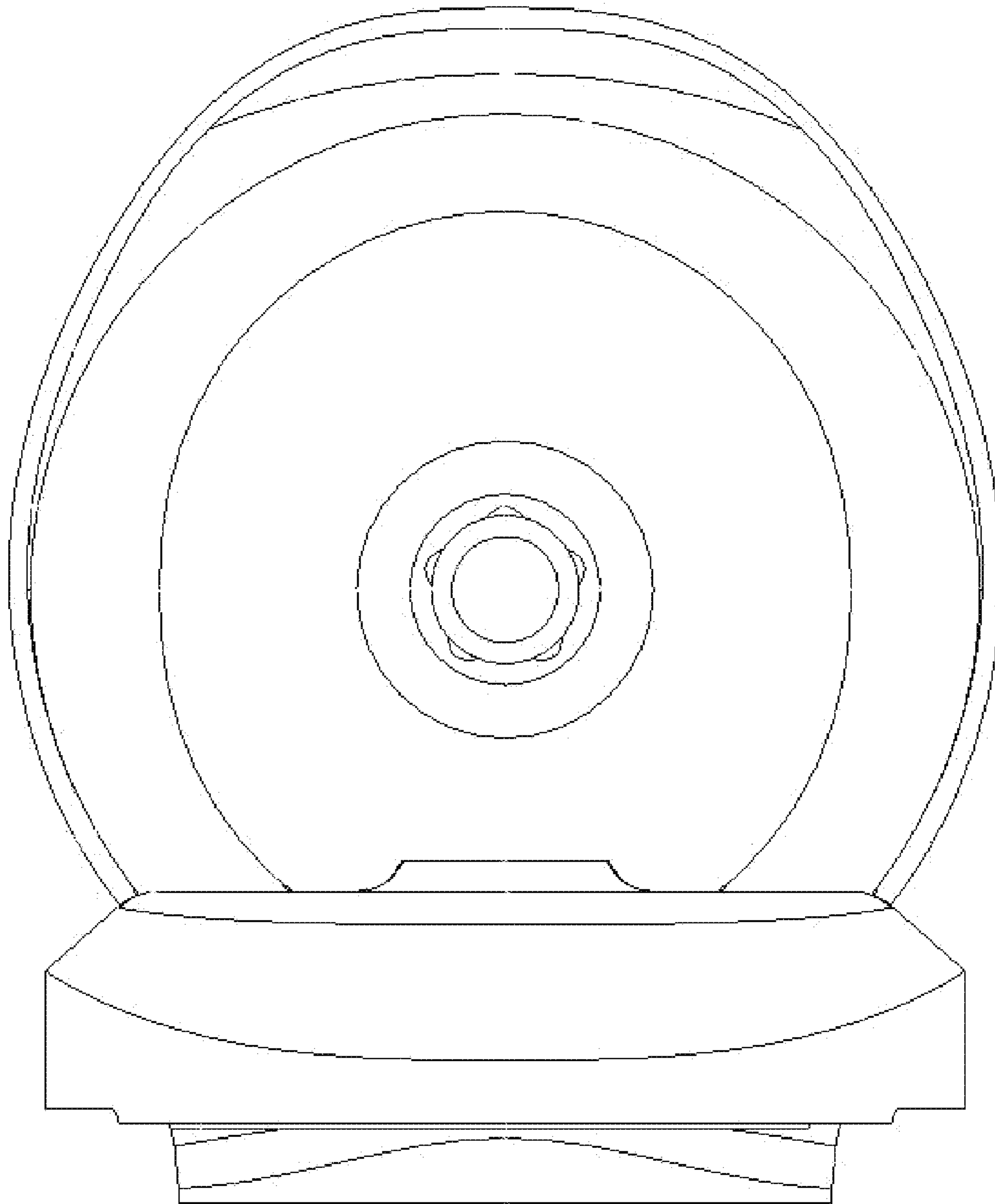


Fig. 10

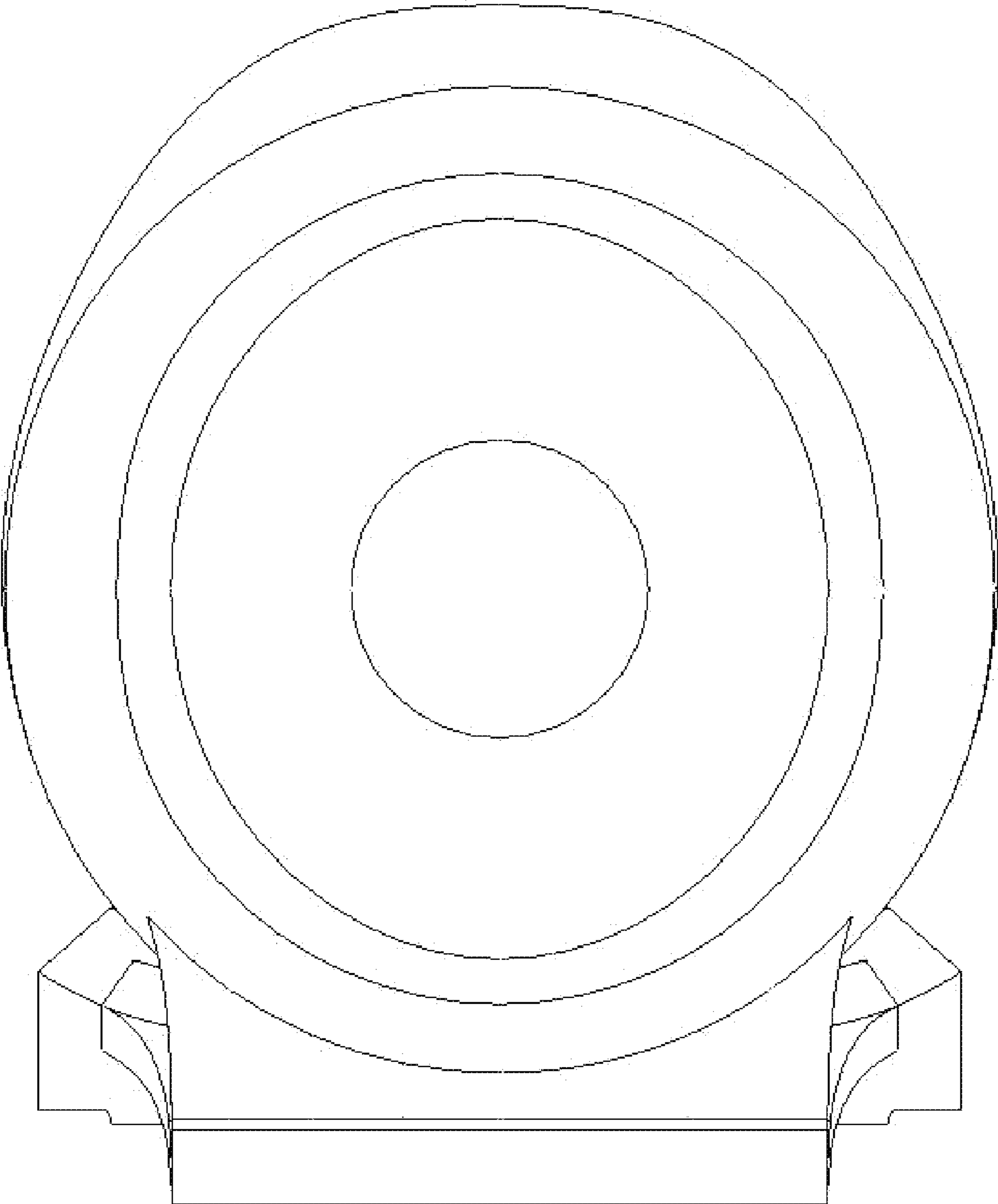


Fig. 11

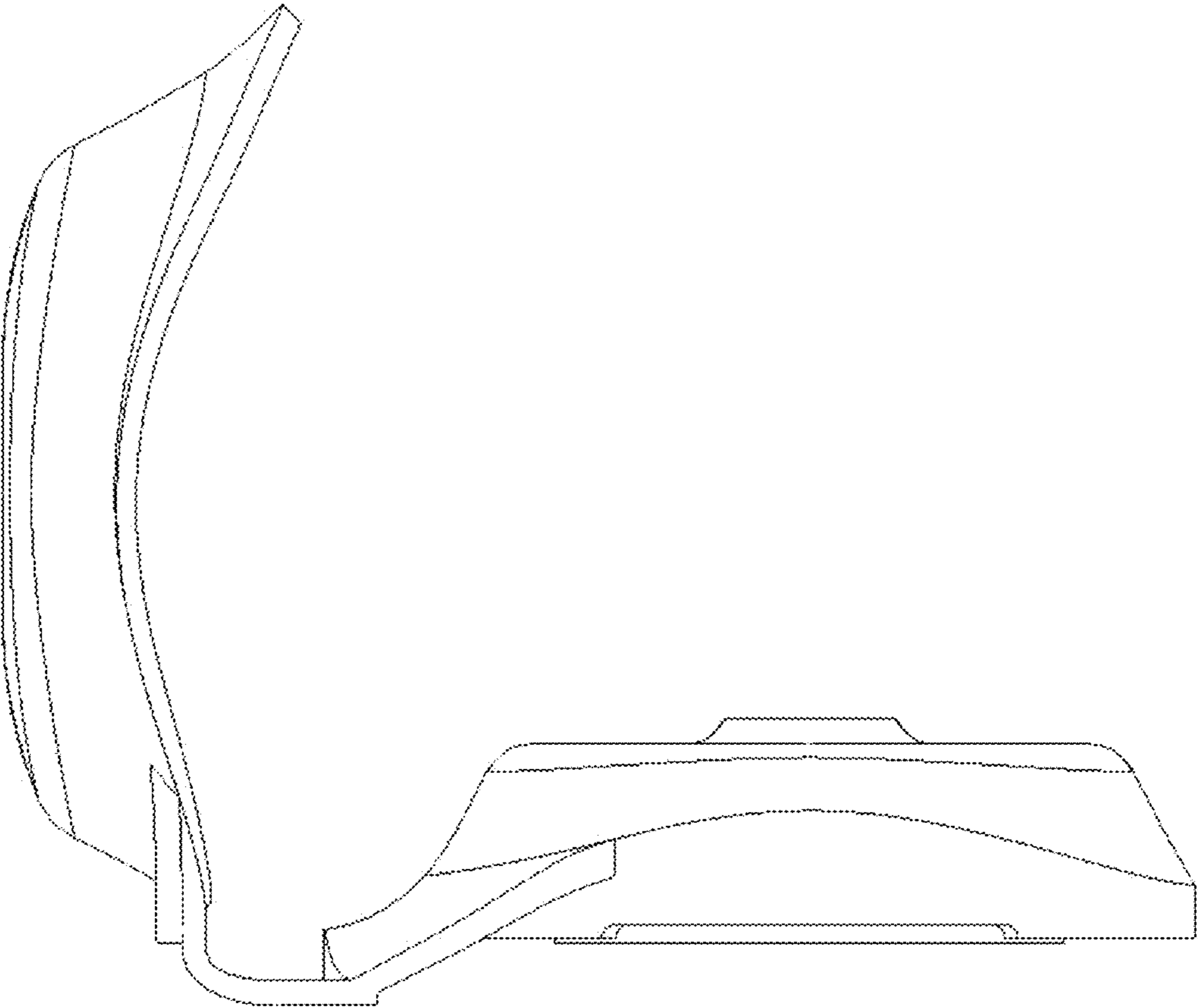


Fig. 12

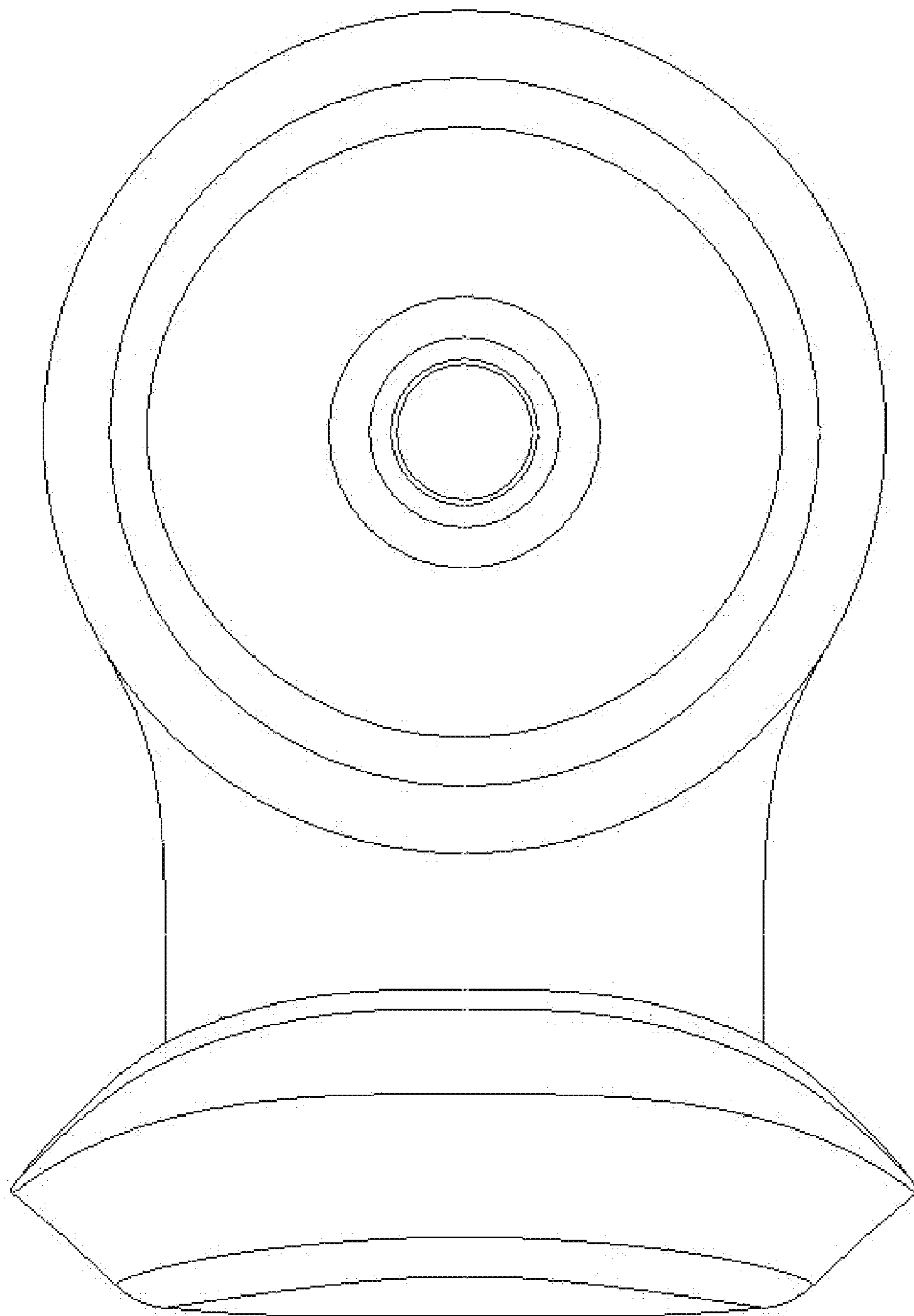


Fig. 13

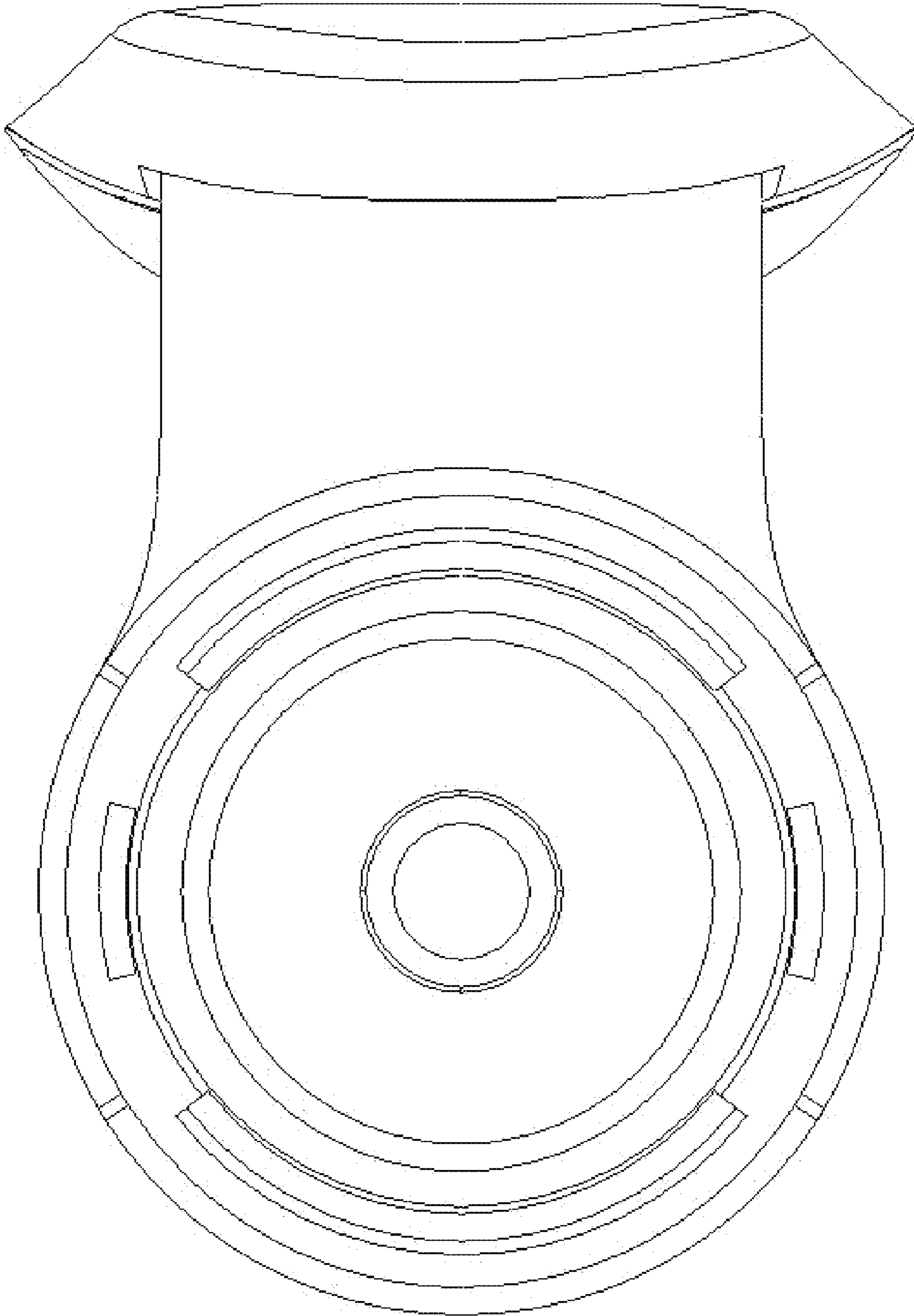


Fig. 14