



US00D680432S

(12) **United States Design Patent**
Geier

(10) **Patent No.:** **US D680,432 S**

(45) **Date of Patent:** **** Apr. 23, 2013**

(54) **SPRAY CAP FOR AEROSOL CANS OR
SIMILAR FLUID CONTAINERS**

(75) **Inventor:** **Adalberto Geier**, Calceranica al Lago
(IT)

(73) **Assignee:** **Coster Technologie Speciali S.p.A.**,
Calceranica al Lago (Trento) (IT)

(**) **Term:** **14 Years**

(21) **Appl. No.:** **29/423,939**

(22) **Filed:** **Jun. 6, 2012**

(51) **LOC (9) Cl.** **09-07**

(52) **U.S. Cl.**
USPC **D9/448; D9/453; D9/454**

(58) **Field of Classification Search** D9/724,
D9/688, 686, 454, 450, 449, 448, 447, 435,
D9/434; D28/7; 239/333; 222/95, 536,
222/402.1, 153.14, 153.05, 153.04; 220/200;
215/200

See application file for complete search history.

(56) **References Cited**

U.S. PATENT DOCUMENTS

D627,638	S	*	11/2010	Bodet et al.	D9/448
D664,432	S	*	7/2012	Jordan	D9/448
D665,669	S	*	8/2012	Folli et al.	D9/448
D666,491	S	*	9/2012	Adams et al.	D9/448

FOREIGN PATENT DOCUMENTS

EP 002051912-0001 6/2012

* cited by examiner

Primary Examiner — Susan Bennett Hattan

(74) *Attorney, Agent, or Firm* — Boyle Fredrickson, S.C.

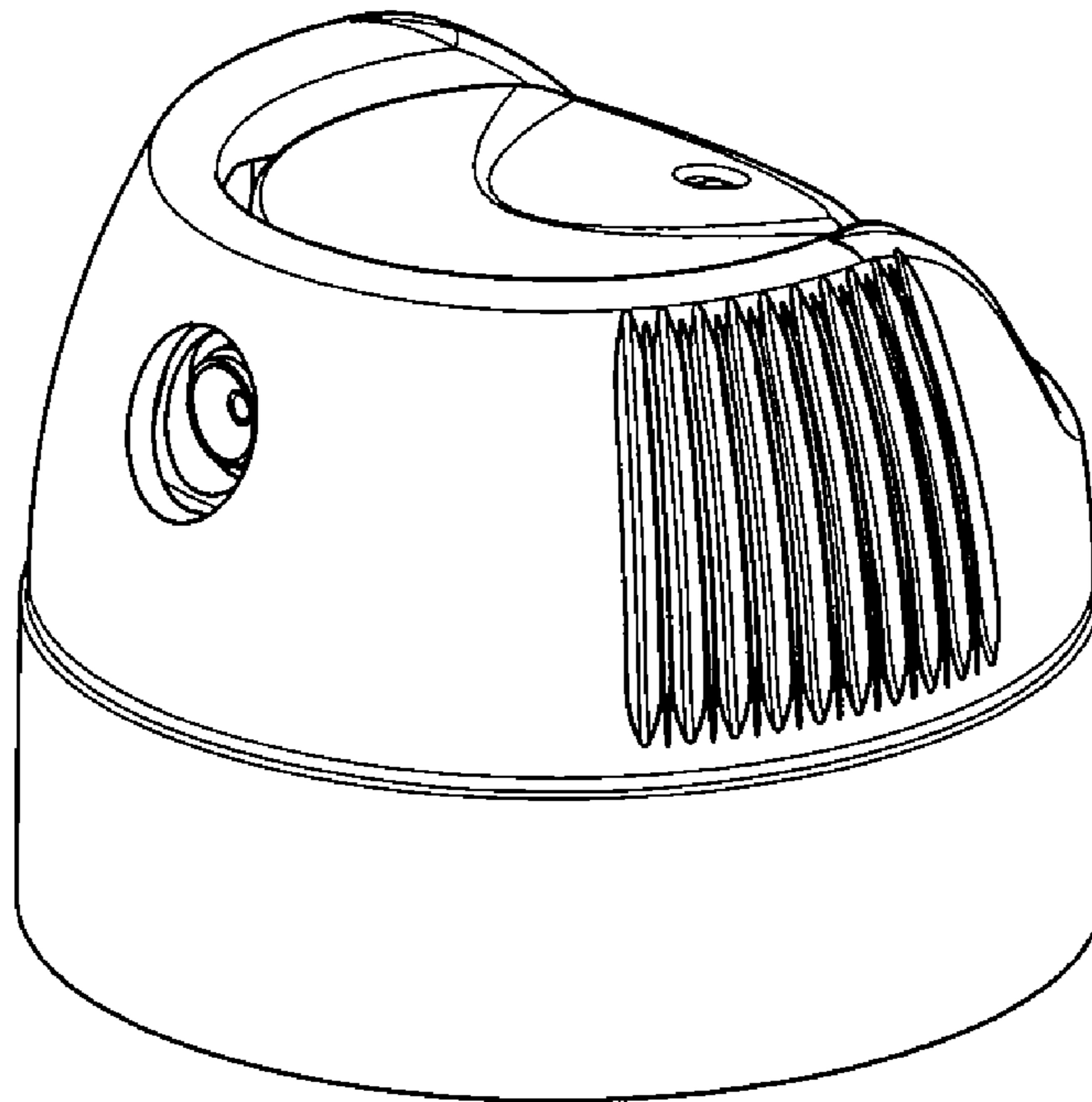
(57) **CLAIM**

The ornamental design for spray cap for aerosol cans or similar fluid containers.

DESCRIPTION

FIG. 1 is a perspective view from the front;
FIG. 2 is a perspective view from the back;
FIG. 3 is a front view;
FIG. 4 is a side view; and,
FIG. 5 is a view from above.

1 Claim, 2 Drawing Sheets



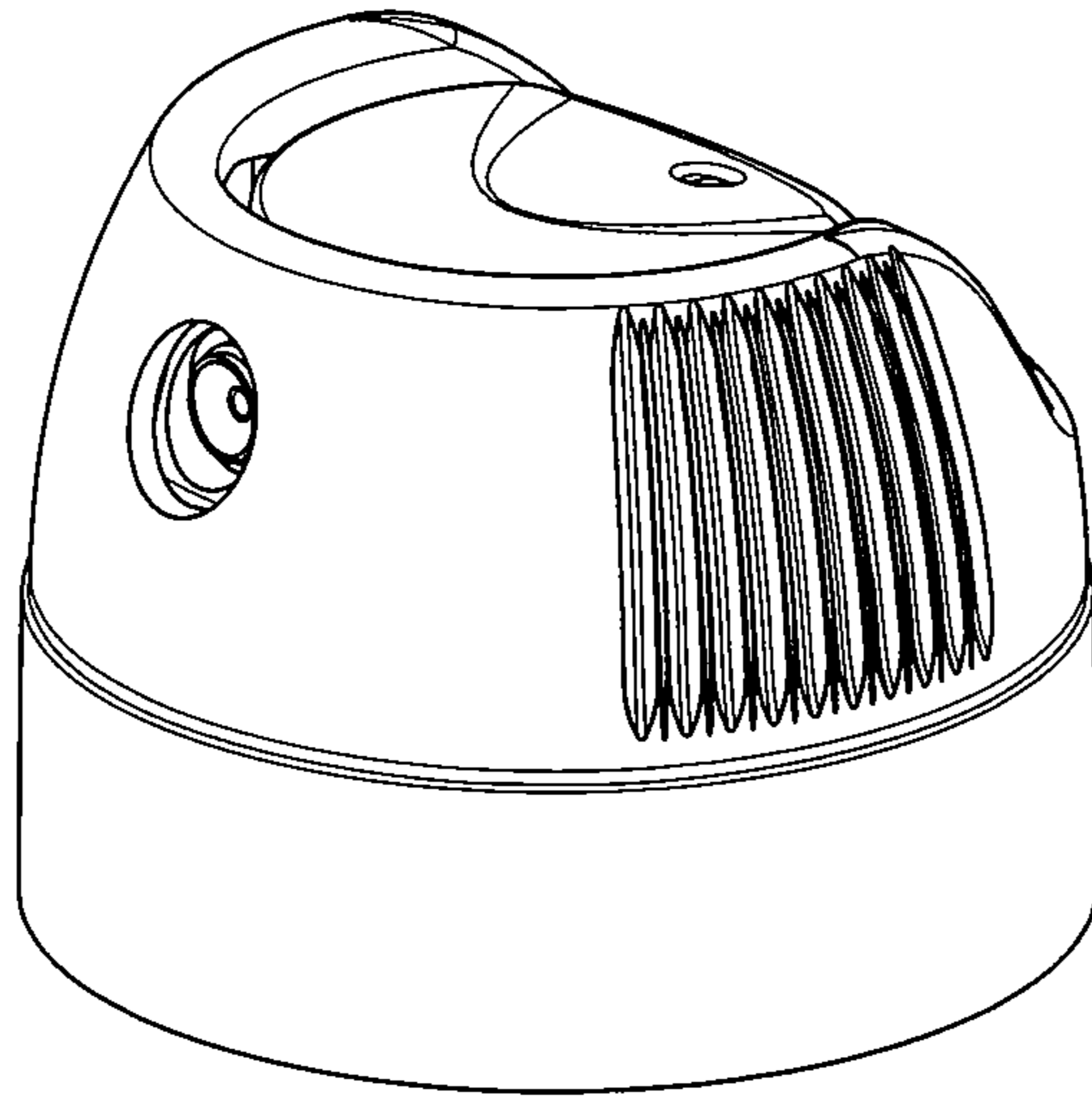


Fig. 1

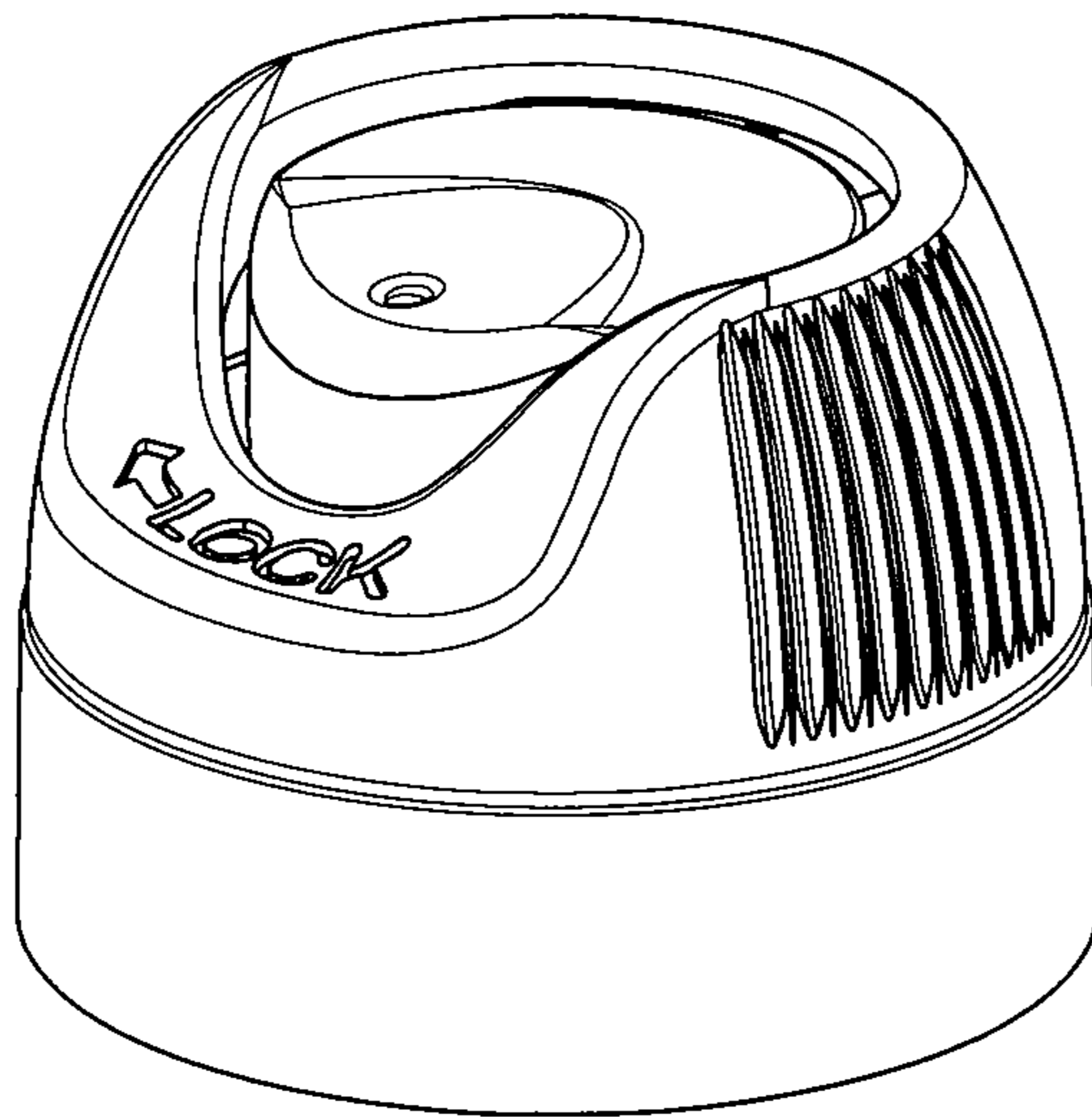


Fig. 2

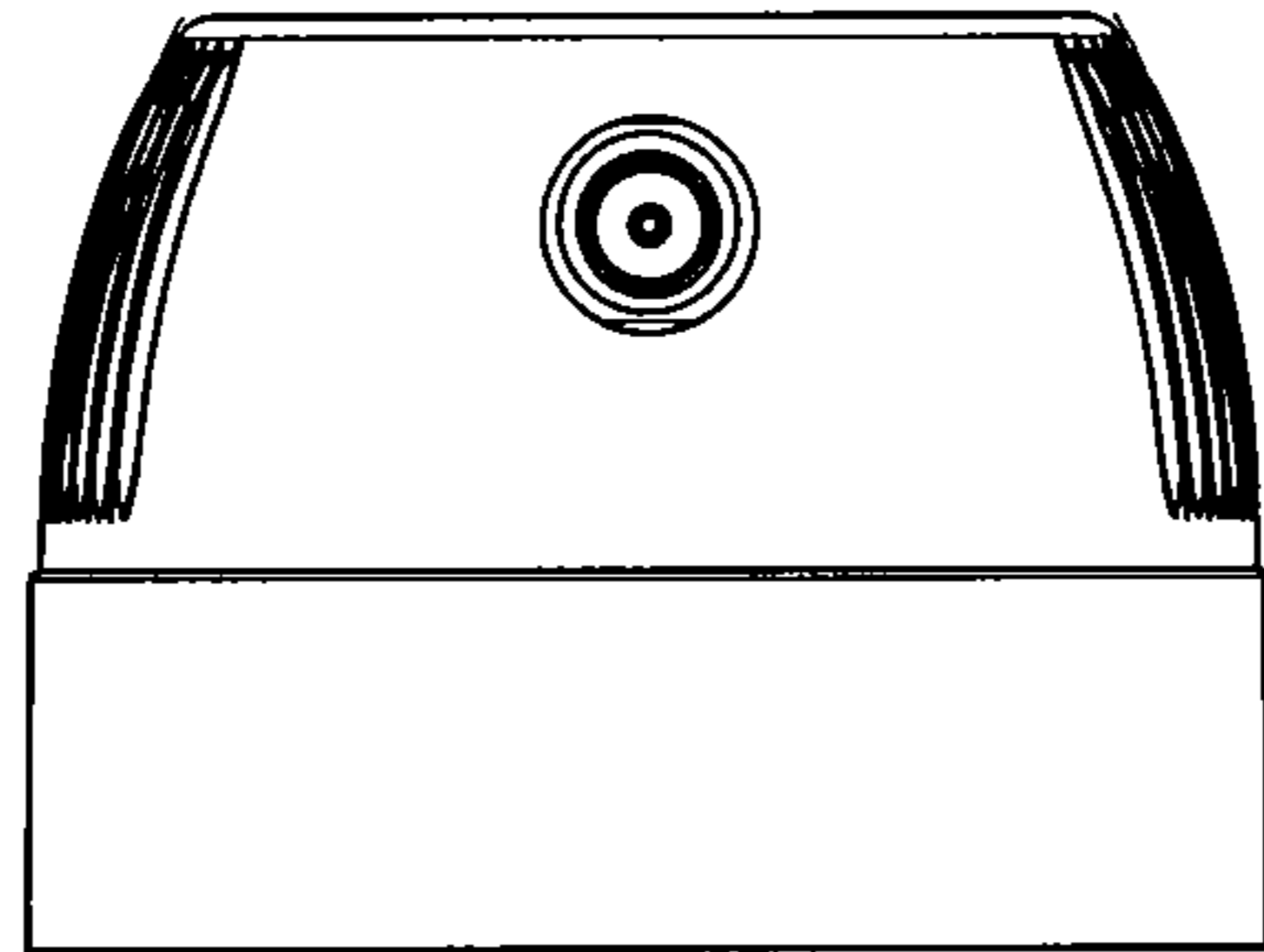


Fig. 3

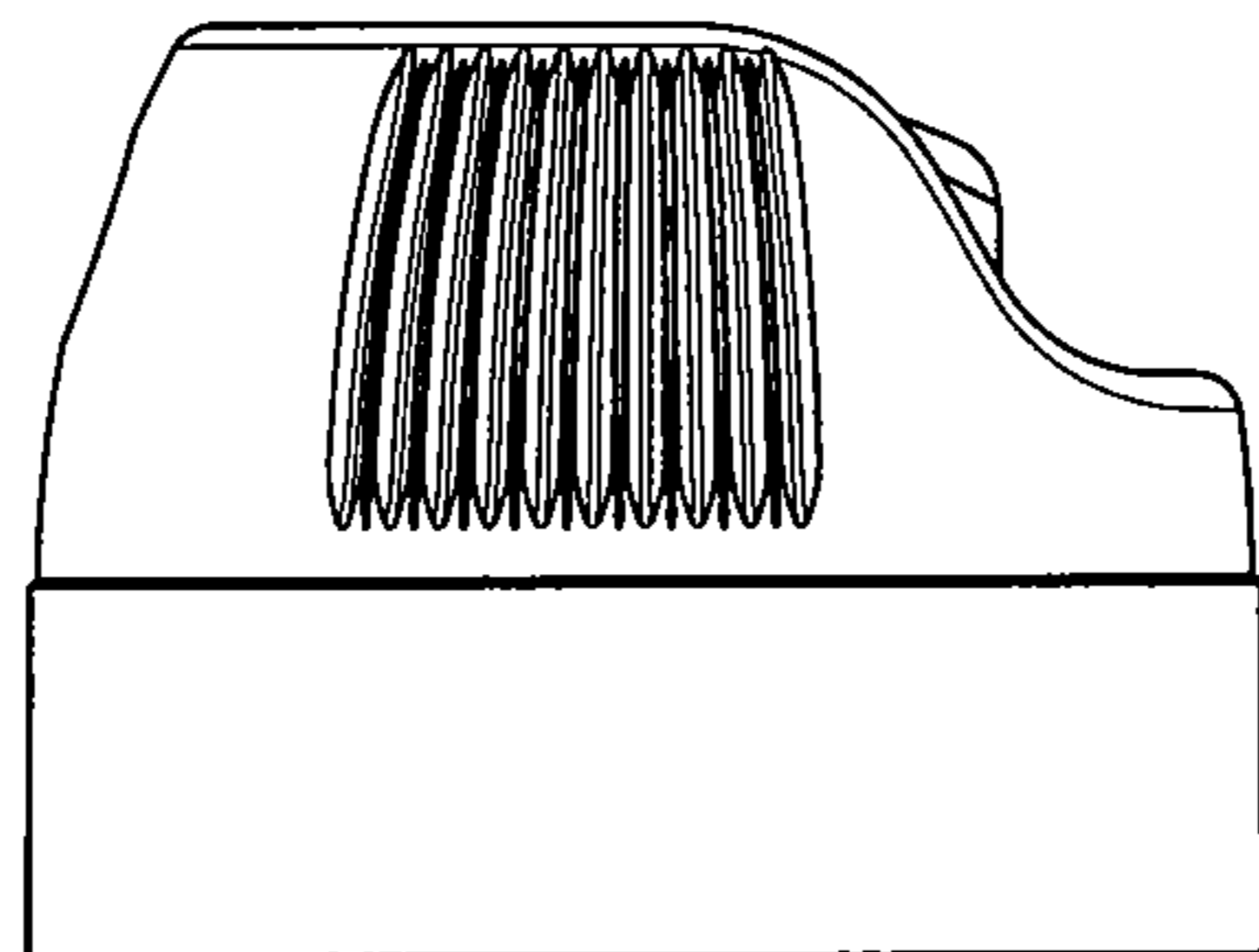


Fig. 4

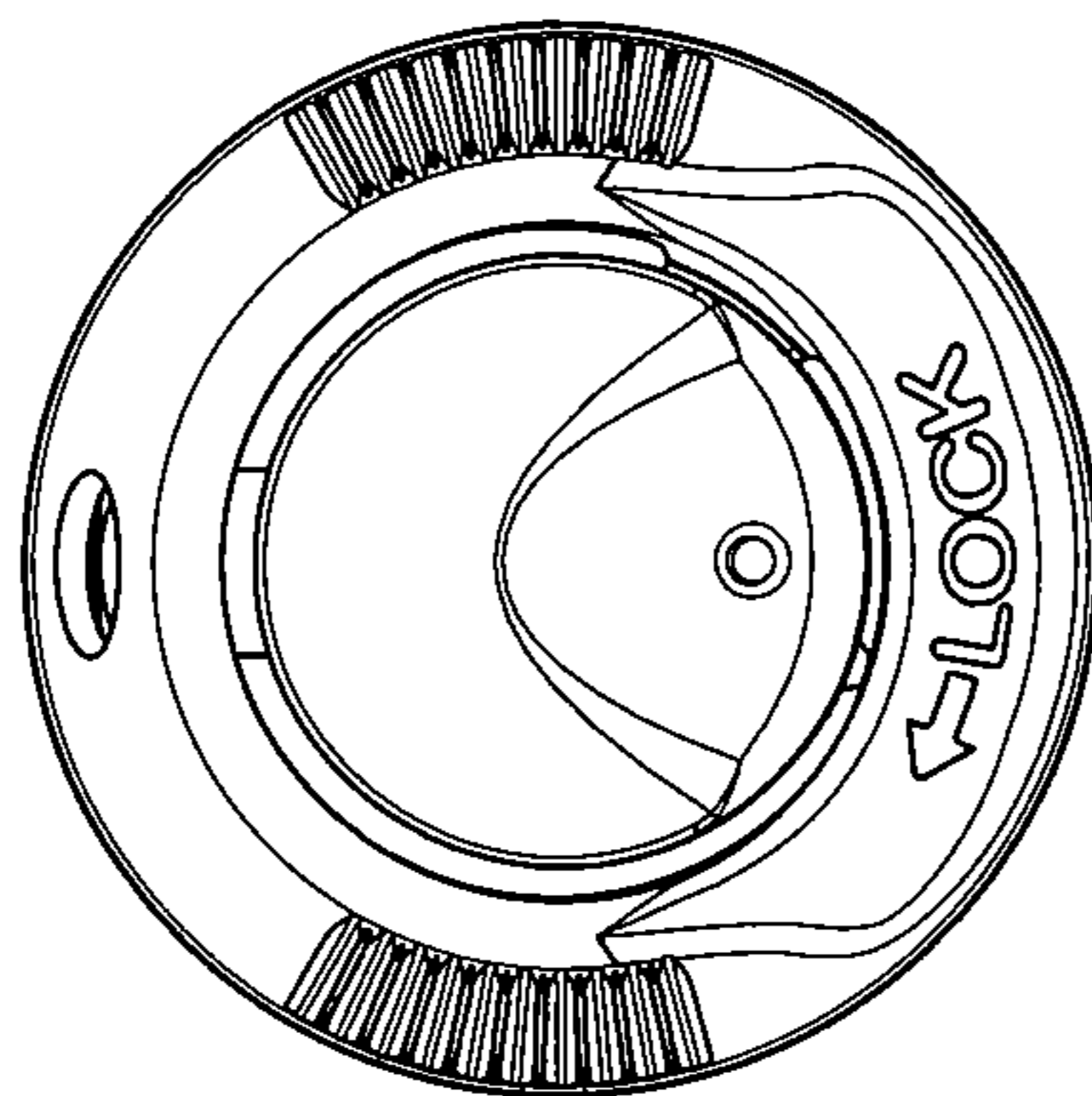


Fig. 5