



US00D680429S

(12) **United States Design Patent**
Wand

(10) **Patent No.:** **US D680,429 S**

(45) **Date of Patent:** **** Apr. 23, 2013**

(54) **BOTTLE CAP**

(56) **References Cited**

(75) Inventor: **Assaf Wand**, Palo Alto, CA (US)

U.S. PATENT DOCUMENTS

(73) Assignee: **SABI, Inc.**, Palo Alto, CA (US)

5,941,404	A	*	8/1999	Charrette	215/305
D448,994	S	*	10/2001	Siebert et al.	D9/435
D490,314	S	*	5/2004	Wadsworth et al.	D9/444
D573,019	S	*	7/2008	Spencer	D9/445
D585,761	S	*	2/2009	Oates	D9/686
D615,406	S	*	5/2010	Leventhal et al.	D9/503

(**) Term: **14 Years**

* cited by examiner

(21) Appl. No.: **29/402,823**

Primary Examiner — Susan Bennett Hattan

(22) Filed: **Sep. 28, 2011**

(57) **CLAIM**
The ornamental design for the bottle cap, as shown.

(51) **LOC (9) Cl.** **09-07**

DESCRIPTION

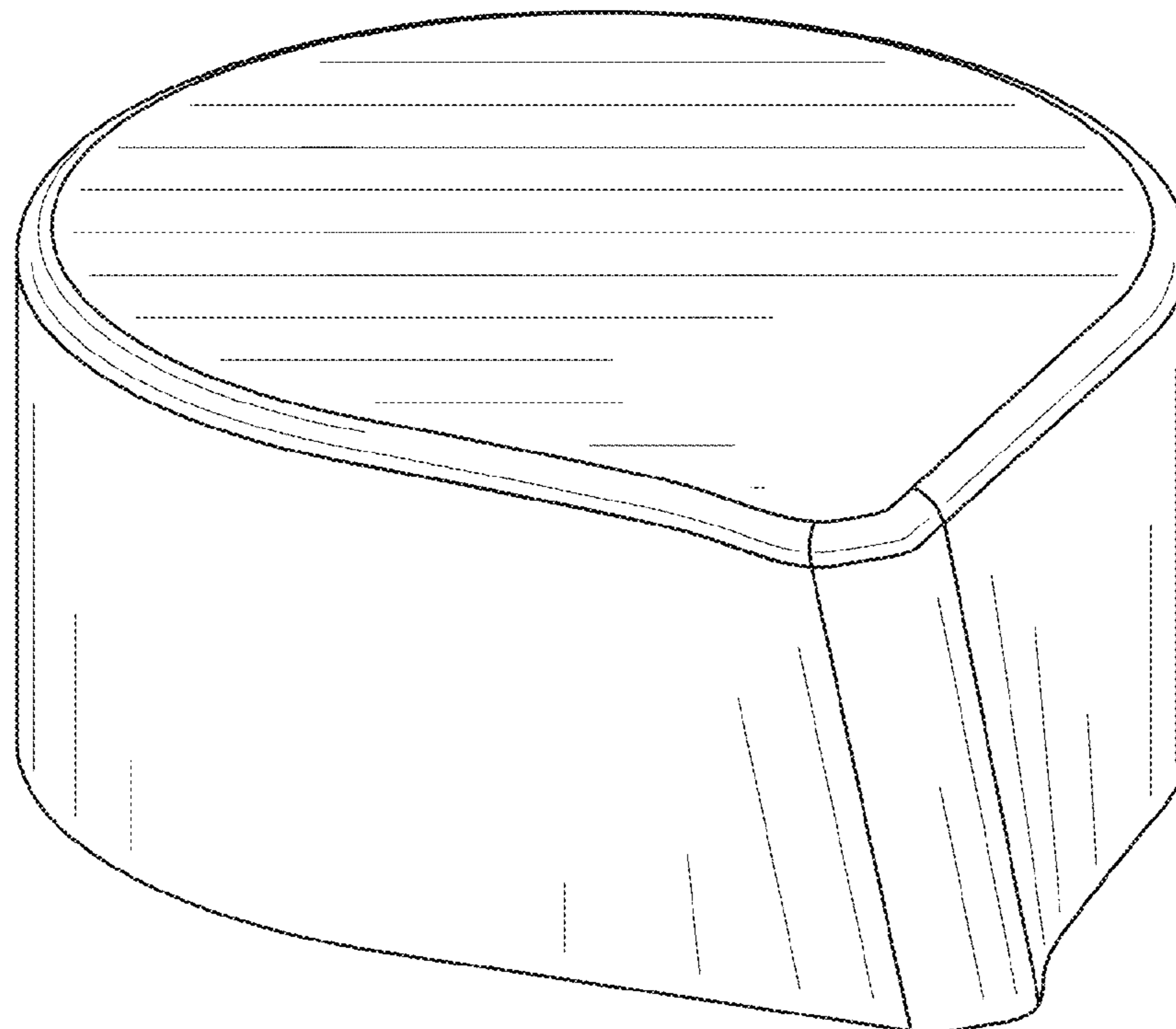
(52) **U.S. Cl.**
USPC **D9/435**; D9/443

FIG. 1 is a perspective view of the bottle cap;
FIG. 2 is a front view thereof;
FIG. 3 is a rear view thereof;
FIG. 4 is a left side view thereof;
FIG. 5 is a right side view thereof;
FIG. 6 is a top view thereof; and,
FIG. 7 is a bottom view thereof.

(58) **Field of Classification Search** D9/454,
D9/445, 444, 443, 442, 436, 435; D7/391,
D7/392.1; 222/525; 220/713, 253; 215/216;
206/222, 221; 132/304

See application file for complete search history.

1 Claim, 4 Drawing Sheets



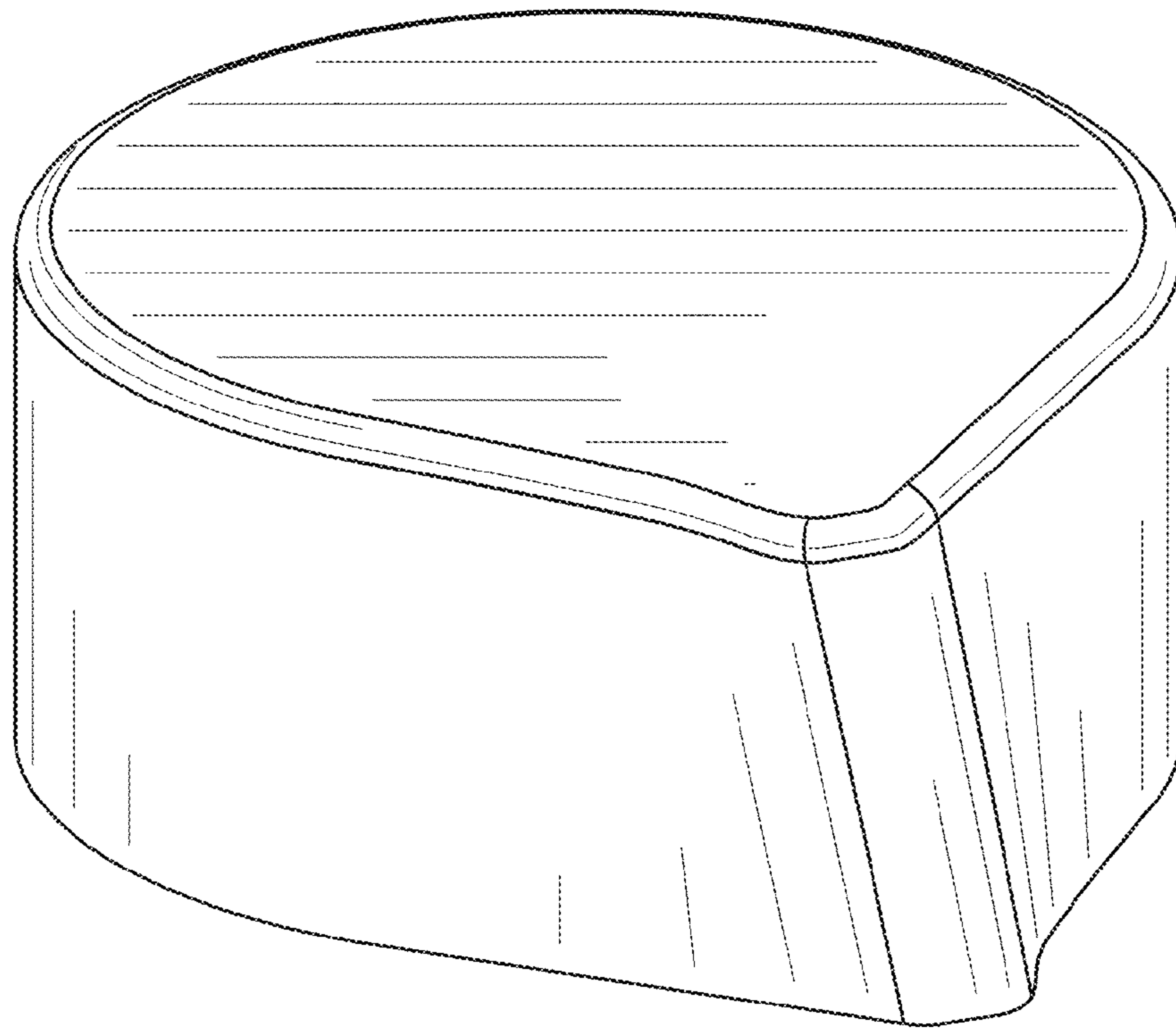


Figure 1

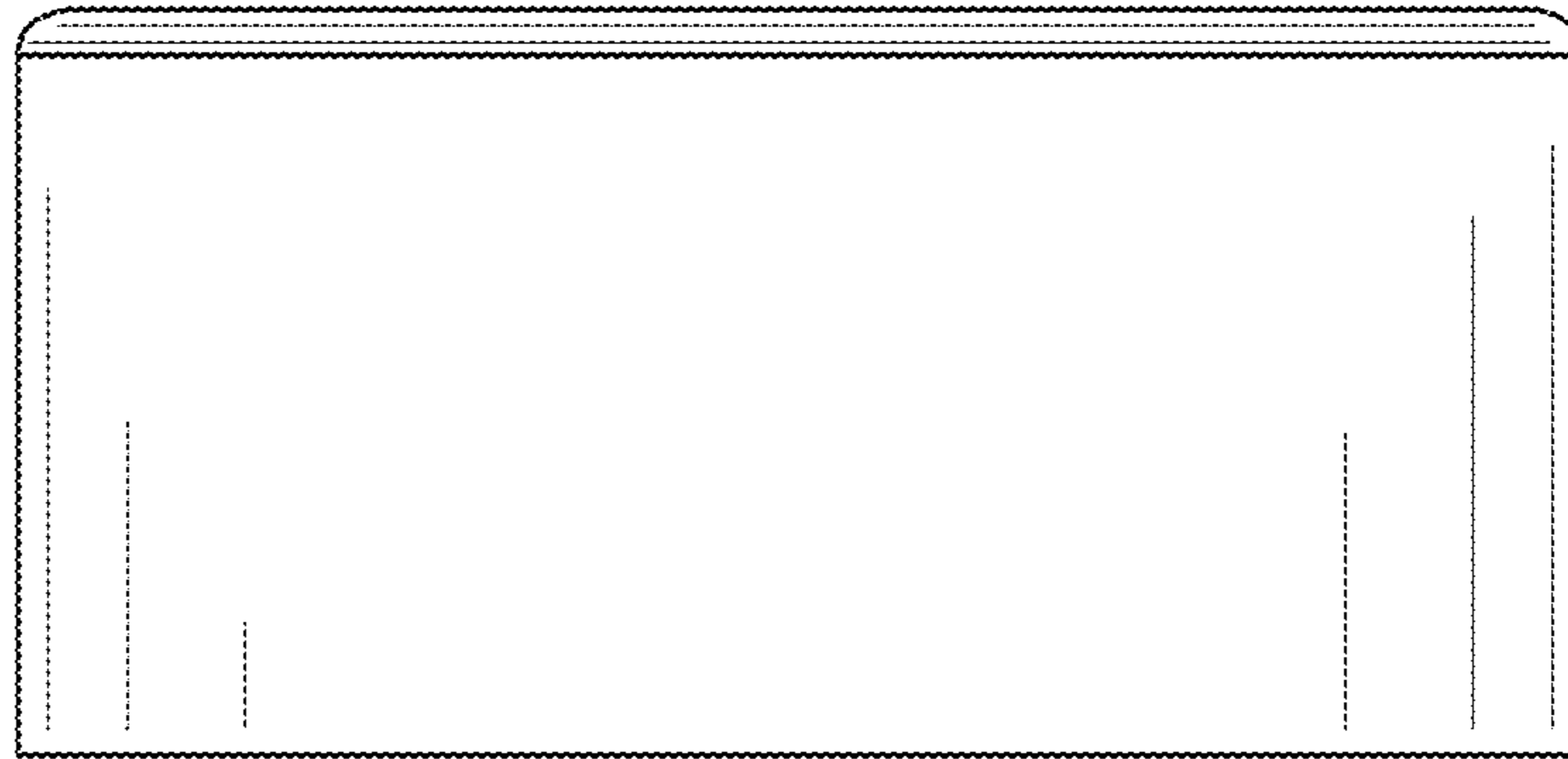


Figure 2

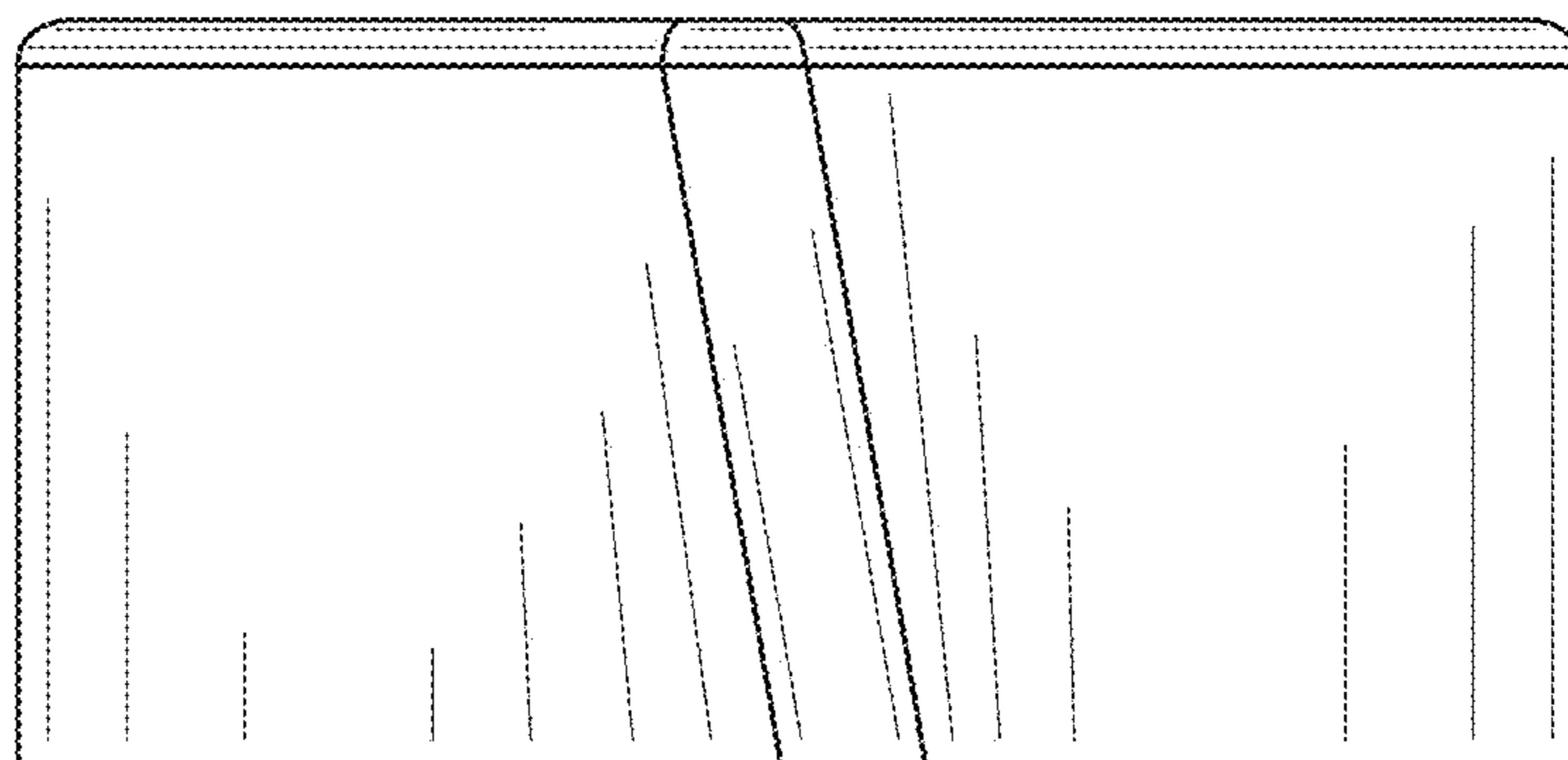


Figure 3

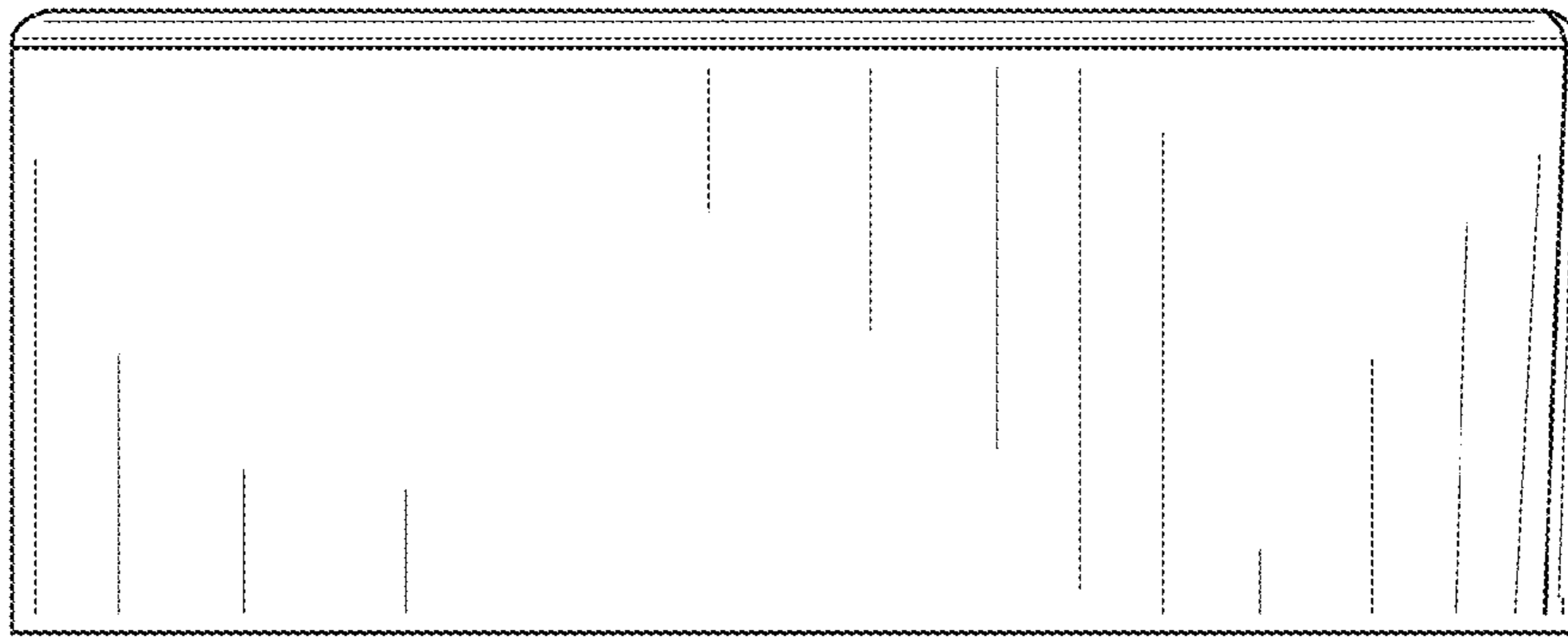


Figure 4

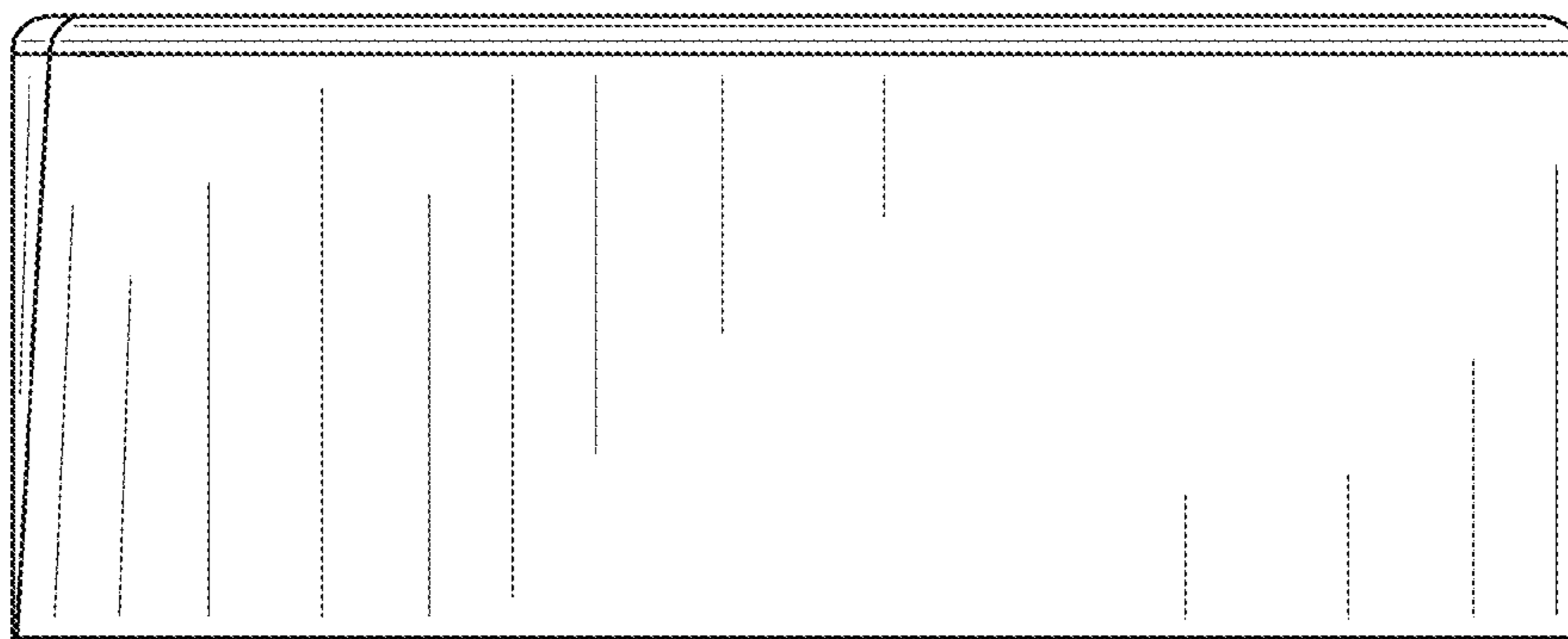


Figure 5

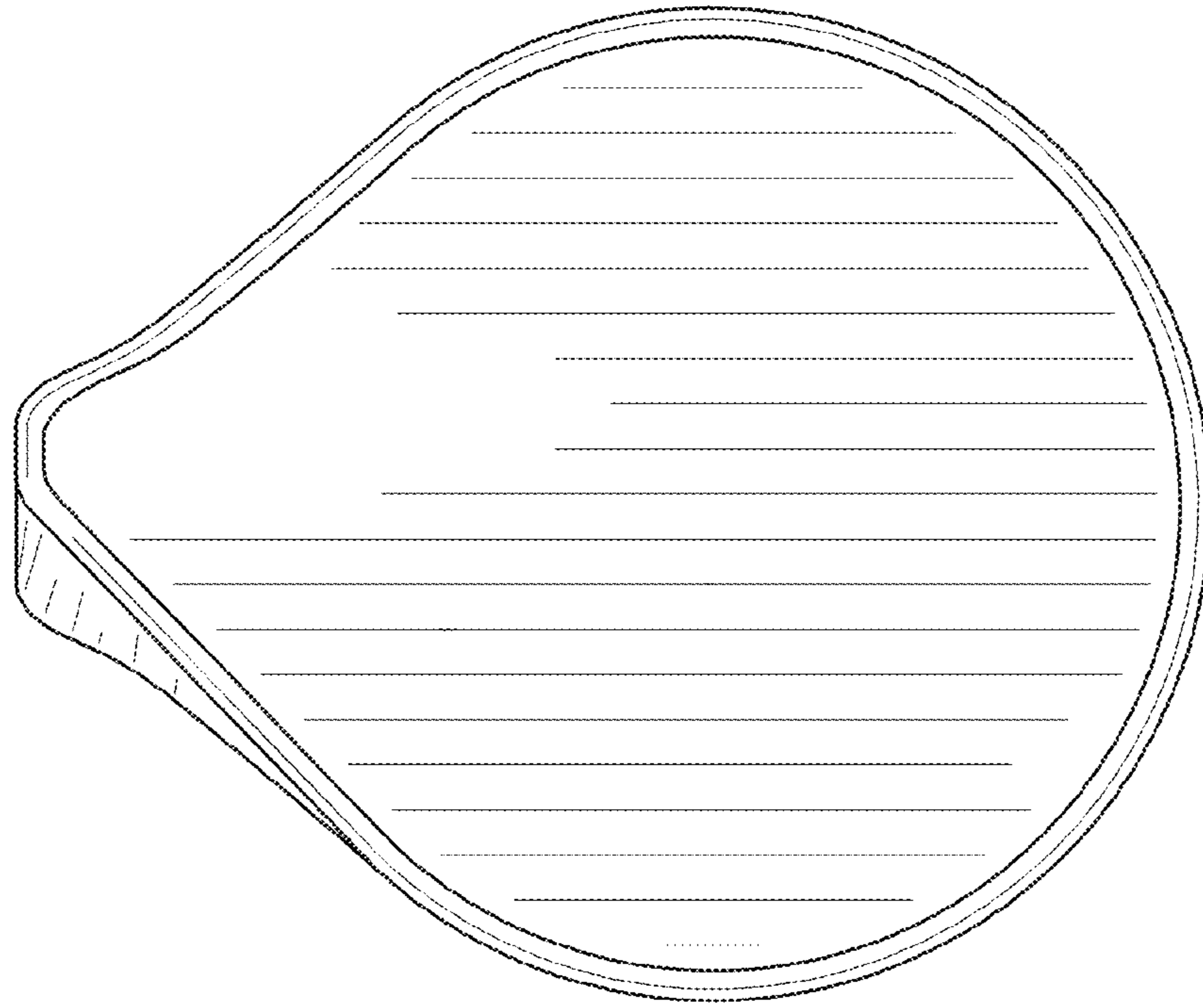


Figure 6

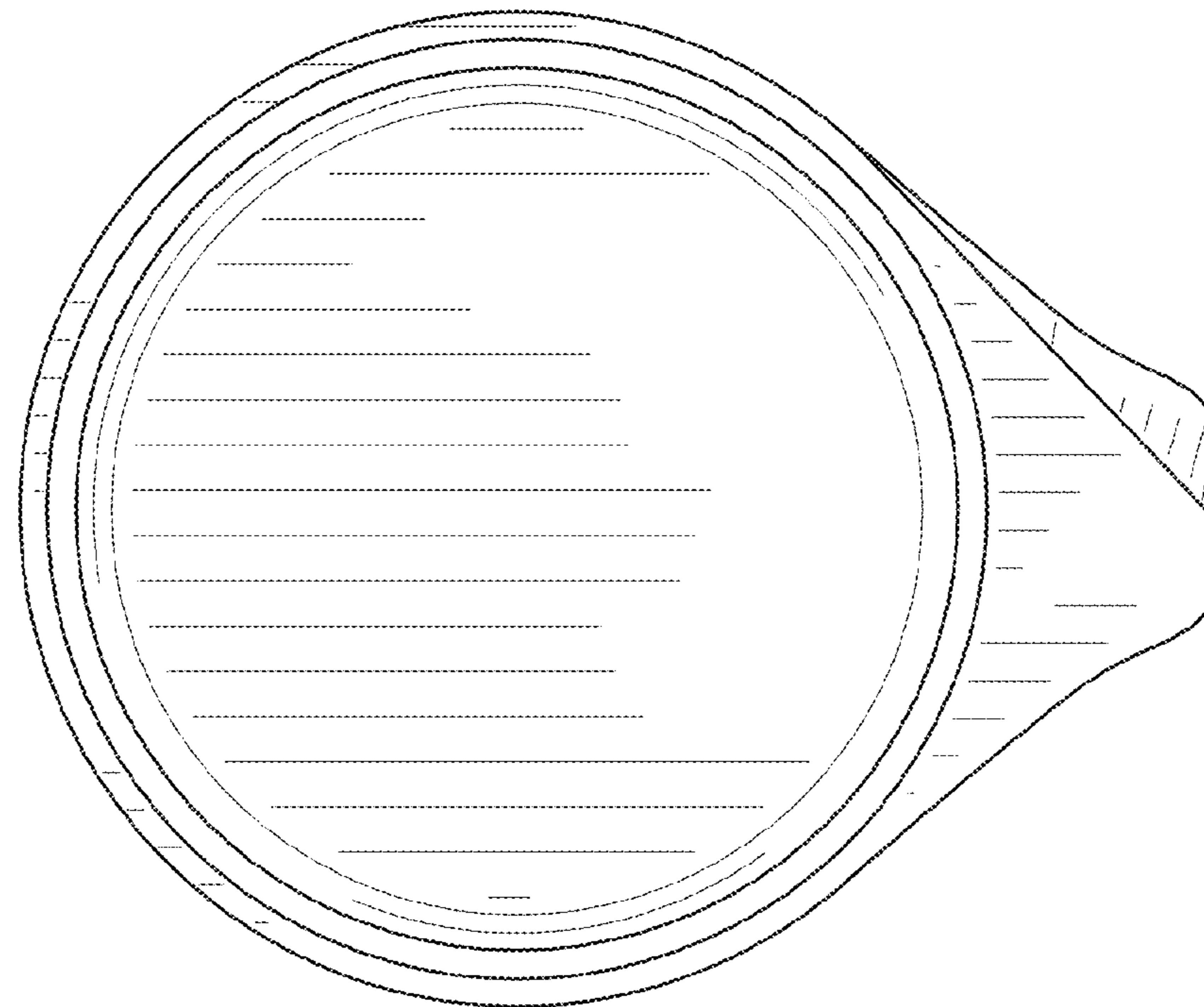


Figure 7