



US00D680426S

(12) **United States Design Patent**
Baker

(10) **Patent No.:** **US D680,426 S**

(45) **Date of Patent:** **** Apr. 23, 2013**

- (54) **CONTAINER**
- (75) Inventor: **Steven Baker**, Omaha, NE (US)
- (73) Assignee: **ConAgra Foods RDM, Inc.**, Omaha, NE (US)
- (**) Term: **14 Years**
- (21) Appl. No.: **29/424,416**
- (22) Filed: **Jun. 12, 2012**
- (51) **LOC (9) Cl.** **09-03**
- (52) **U.S. Cl.**
USPC **D9/431**
- (58) **Field of Classification Search** D9/414,
D9/416, 418, 420-424, 430-433; D3/272;
206/267, 269, 270, 273, 299, 421, 454, 457,
206/737, 740, 822, 775-778, 784; 229/100,
229/101, 101.3, 106, 108-122, 221, 222,
229/227, 902, 939, 941, 942; D7/533-534,
D7/543, 566, 610; 220/574.3, 573.1, 574
See application file for complete search history.

902,181 A 10/1908 Tidow 99/408
 948,198 A 2/1910 Wiegand 99/417
 952,572 A 3/1910 Meyer

(Continued)

FOREIGN PATENT DOCUMENTS

CH 672 585 12/1989
 DE 28 10 175 A1 9/1979

(Continued)

OTHER PUBLICATIONS

McCallister, "Microwaveable Pasta Product," U.S. Appl. No. 09/965,300, filed Sep. 28, 2001.

(Continued)

Primary Examiner — Robert M Spear
Assistant Examiner — Vy Koenig
 (74) *Attorney, Agent, or Firm* — Advent LLP; Ryan T. Grace

(57) **CLAIM**
 The ornamental design for a container, as shown and described.

DESCRIPTION

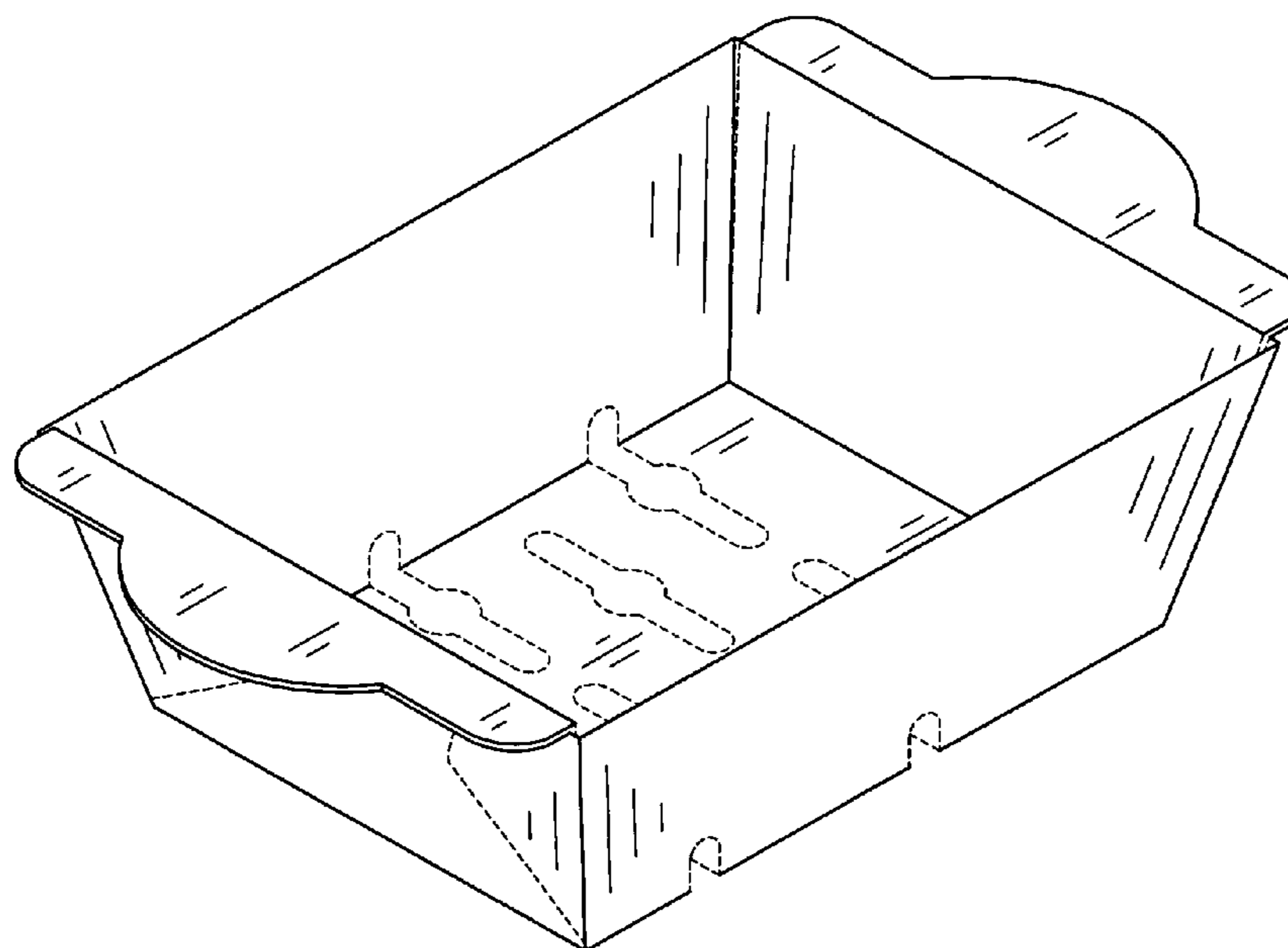
FIG. 1 is an isometric view of a container.
 FIG. 2 is a first side elevation view of the container of FIG. 1.
 FIG. 3 is a second side elevation view of the container of FIG. 1.
 FIG. 4 is a first end elevation view of the container of FIG. 1.
 FIG. 5 is a second end elevation view of the container of FIG. 1.
 FIG. 6 is a bottom plan view of the container of FIG. 1; and,
 FIG. 7 is a top plan view of the container of FIG. 1.
 Portions of FIGS. 1 through 7 are shown in dashed lines for illustrative purposes only and form no part of the claimed design.

(56) **References Cited**

U.S. PATENT DOCUMENTS

113,893 A	4/1871	Joyce et al.	200/762
166,102 A	7/1875	Hennaman	220/525
177,593 A *	5/1876	Skelline	229/193
181,823 A	9/1876	Cornwall	99/425
241,254 A *	5/1881	Udell	229/198
254,770 A	3/1882	Hurd	99/450
541,397 A	6/1895	Swartout	
590,212 A	9/1897	Daesch	99/416
637,838 A *	11/1899	Vernon	229/194
851,983 A	4/1907	Entringer	210/314
899,244 A	9/1908	Chase	99/412

1 Claim, 4 Drawing Sheets



US D680,426 S

U.S. PATENT DOCUMENTS									
955,033	A	4/1910	Wing	99/428	3,489,075	A	1/1970	O'Reilly	99/450
1,004,423	A	9/1911	Hanlon	220/759	3,521,788	A	7/1970	Carter et al.	220/675
1,099,603	A	6/1914	Ingersoll		3,547,661	A	12/1970	Stevenson	
1,263,004	A	4/1918	Tollagsen	126/369	3,608,770	A	9/1971	Naimoli	220/16
1,341,960	A	6/1920	Meyer et al.		3,610,135	A	10/1971	Sheridan	
1,347,075	A	7/1920	Wittekind		3,610,458	A	10/1971	Nissley	
1,476,910	A	12/1923	Naugle		3,615,646	A	10/1971	Neely et al.	
1,519,510	A	12/1924	Santarsiero	99/416	3,620,834	A	11/1971	Duffy	117/213
1,630,787	A	5/1927	Cullen	99/416	3,637,132	A	1/1972	Gray	229/53
1,765,862	A	6/1930	Clapp		3,638,784	A	2/1972	Bodolay et al.	
1,864,081	A *	6/1932	Marr	229/104	3,641,926	A	2/1972	Williams et al.	99/448
1,906,592	A	5/1933	Hiester		3,647,508	A	3/1972	Gorrell	117/38
1,944,089	A	1/1934	Litchfield	150/9	3,669,688	A	6/1972	Thompson	
1,985,978	A	5/1934	Thomas	426/113	3,718,480	A	2/1973	Tremblay et al.	
2,021,465	A	11/1935	Ritscher	99/403	3,741,427	A	6/1973	Doyle	
2,039,374	A	5/1936	Young		3,777,447	A	12/1973	Herbine et al.	53/36
2,041,227	A	5/1936	Chalmers	229/87	3,811,374	A	5/1974	Mann	
2,107,480	A	2/1938	Holton		3,835,280	A	9/1974	Gades et al.	
2,149,872	A	3/1939	Schmidt	229/58	3,836,042	A	9/1974	Petitto	
2,200,977	A	5/1940	Baxter	426/95	3,844,409	A	10/1974	Bodolay et al.	
2,271,921	A	2/1942	Luker		3,851,574	A	12/1974	Katz et al.	426/107
2,290,396	A	7/1942	Webster		3,865,301	A	2/1975	Pothier et al.	
2,540,036	A	1/1951	Spencer		3,873,735	A	3/1975	Chalin et al.	426/87
2,556,115	A	6/1951	Smith	99/417	3,881,027	A	4/1975	Levinson	
2,559,101	A	7/1951	Wool		3,884,213	A	5/1975	Smith	
2,576,862	A	11/1951	Smith et al.		3,884,383	A	5/1975	Burch et al.	220/675
2,591,578	A	4/1952	McNealy et al.		3,893,567	A	7/1975	Davis et al.	206/520
2,600,566	A	6/1952	Moffett		3,908,029	A	9/1975	Fredrickson	
2,650,485	A	9/1953	La Greca		3,938,730	A	2/1976	Detzel et al.	
2,660,529	A	11/1953	Bloom		3,941,967	A	3/1976	Sumi et al.	
2,667,422	A	1/1954	Kauffman	426/86	3,956,866	A	5/1976	Lattur	53/29
2,673,805	A	3/1954	Colman	99/171	3,965,323	A	6/1976	Forker, Jr. et al.	
2,673,806	A	3/1954	Colman	99/171	3,970,241	A	7/1976	Hanson	229/58
2,714,070	A	7/1955	Welch		3,973,045	A	8/1976	Brandberg et al.	426/110
2,741,559	A	4/1956	Banowitz	99/171	3,974,353	A	8/1976	Goltsos	
2,777,769	A	1/1957	Hodges	426/113	3,975,552	A	8/1976	Stangroom	
2,801,930	A	8/1957	Paulucci	99/193	3,983,256	A	9/1976	Norris et al.	
2,805,392	A	9/1957	Schnoll	324/706	3,985,990	A	10/1976	Levinson	
2,852,898	A	9/1958	Berg	53/182	4,018,355	A	4/1977	Ando	220/522
2,858,970	A	11/1958	Barnes et al.	229/55	4,031,261	A	6/1977	Durst	
2,865,768	A	12/1958	Barnes et al.	99/171	4,036,423	A	7/1977	Gordon	229/43
D185,399	S	6/1959	Tupper		4,038,425	A	7/1977	Brandberg et al.	426/107
2,960,218	A	11/1960	Cheeley		4,043,098	A	8/1977	Putnam, Jr. et al.	53/180 M
2,961,520	A	11/1960	Long		4,065,583	A	12/1977	Ahlgren	
2,965,501	A	12/1960	Harriss	426/120	4,077,853	A	3/1978	Coll-Palagos	204/20
3,012,895	A	12/1961	Stelnicki		4,079,853	A *	3/1978	Casutt	229/101
3,027,261	A	3/1962	Samara	99/171	4,082,184	A	4/1978	Hammer	206/519
3,035,754	A	5/1962	Meister	229/53	4,082,691	A	4/1978	Berger	
3,052,554	A	9/1962	Colman	99/171	4,096,948	A	6/1978	Kuchenbecker	
3,068,779	A	12/1962	Eidlisz	219/733	4,113,095	A	9/1978	Dietz et al.	
3,070,275	A	12/1962	Bostrom		4,118,913	A	10/1978	Putnam, Jr. et al.	53/551
3,107,989	A	10/1963	Fesco	55/381	4,126,945	A	11/1978	Manser et al.	
3,109,359	A	11/1963	Falla	99/339	4,132,811	A	1/1979	Standing et al.	426/111
3,141,400	A	7/1964	Powers		4,133,896	A	1/1979	Standing et al.	
3,179,036	A	4/1965	Luker		4,136,505	A	1/1979	Putnam, Jr. et al.	53/551
3,191,520	A	6/1965	Halter		4,140,889	A	2/1979	Mason et al.	
3,219,460	A	11/1965	Brown		4,154,860	A	5/1979	Daswick	
3,220,635	A	11/1965	Kasting et al.	229/57	4,156,806	A	5/1979	Teich et al.	
3,220,856	A	11/1965	Vischer		4,164,174	A	8/1979	Wallsten	99/415
3,240,610	A	3/1966	Cease		4,171,605	A	10/1979	Putnam, Jr. et al.	53/552
3,244,537	A	4/1966	Cease		4,184,061	A	1/1980	Suzuki et al.	
3,246,446	A	4/1966	Powers		4,186,217	A	1/1980	Tchack	426/523
3,262,668	A	7/1966	Luker		4,190,757	A	2/1980	Turpin et al.	
3,271,169	A	9/1966	Baker et al.		4,196,331	A	4/1980	Leveckis et al.	
3,286,832	A	11/1966	Pilger	206/56	D255,751	S	7/1980	Daenen	D7/667
3,287,140	A	11/1966	Brussell		4,219,573	A	8/1980	Borek	426/107
3,293,048	A	12/1966	Kitterman	99/171	4,228,945	A	10/1980	Wysocki	
3,326,097	A	6/1967	Lokey	93/82	4,230,767	A	10/1980	Isaka et al.	428/349
3,349,941	A	10/1967	Wanderer		4,230,924	A	10/1980	Brastad et al.	
3,353,327	A	11/1967	Cutler et al.	53/28	4,233,325	A	11/1980	Slangan et al.	
3,353,707	A	11/1967	Eyles	206/519	4,241,563	A	12/1980	Müller et al.	53/511
3,357,152	A	12/1967	Geigel	53/29	4,242,378	A	12/1980	Arai	427/264
3,396,868	A	8/1968	Fitzgerald	206/508	4,258,086	A	3/1981	Beall	
3,420,397	A	1/1969	Miller		4,264,668	A	4/1981	Balla	428/195
3,421,654	A	1/1969	Hexel		4,267,420	A	5/1981	Brastad	
3,424,342	A	1/1969	Scopp et al.	220/793	4,279,933	A	7/1981	Austin et al.	426/124
3,445,050	A	5/1969	Peters et al.		4,280,032	A	7/1981	Levinson	
3,447,714	A	6/1969	Elliot		4,283,427	A	8/1981	Winters et al.	426/107
					4,291,520	A	9/1981	Prince et al.	53/551

US D680,426 S

4,292,332 A	9/1981	McHam	426/111	4,851,246 A	7/1989	Maxwell et al.	426/107
4,306,133 A	12/1981	Levinson		4,853,505 A	8/1989	Sorenson	
4,316,070 A	2/1982	Prosise et al.		4,853,509 A	8/1989	Murakami	
4,317,017 A	2/1982	Bowen		4,864,089 A	9/1989	Tighe et al.	
4,324,088 A	4/1982	Yamashita et al.	53/527	4,864,090 A	9/1989	Maxwell et al.	
4,328,254 A	5/1982	Waldburger		4,866,041 A	9/1989	Svarz et al.	
4,335,291 A	6/1982	Ishino et al.		4,870,233 A	9/1989	McDonald et al.	
4,340,138 A	7/1982	Bernhardt	206/216	4,873,919 A	10/1989	Janssen	
4,345,133 A	8/1982	Cherney et al.		4,883,936 A	11/1989	Maynard et al.	
4,348,421 A	9/1982	Sakakibara et al.	426/394	4,892,744 A	1/1990	Ylvisaker	426/111
4,351,997 A	9/1982	Mattisson et al.		4,896,009 A	1/1990	Pawlowski	
4,355,757 A	10/1982	Roccaforte	229/33	4,899,925 A	2/1990	Bowden et al.	
4,373,511 A	2/1983	Miles et al.	126/369	4,904,488 A	2/1990	LaBaw et al.	426/107
4,377,493 A	3/1983	Boylan et al.		4,914,266 A	4/1990	Parks et al.	
4,389,438 A	6/1983	Ohtsuki et al.	428/35	4,915,216 A	4/1990	Magers	206/520
4,390,555 A	6/1983	Levison		4,915,780 A	4/1990	Beckett	
4,398,994 A	8/1983	Beckett		4,923,704 A	5/1990	Levinson	
4,416,906 A	11/1983	Watkins		4,924,048 A	5/1990	Bunce et al.	
4,425,368 A	1/1984	Watkins		4,935,592 A	6/1990	Oppenheimer	
4,439,656 A	3/1984	Peleg		4,939,332 A	7/1990	Hahn	
4,453,665 A	6/1984	Roccaforte et al.	229/41 B	4,943,456 A	7/1990	Pollart et al.	
4,461,031 A	7/1984	Blamer	383/123	4,948,932 A	8/1990	Clough	
4,477,705 A	10/1984	Danley et al.		4,952,765 A	8/1990	Toyosawa	
4,478,349 A	10/1984	Haverland, Jr. et al.		4,959,516 A	9/1990	Tighe et al.	
4,481,392 A	11/1984	Nibbe et al.		4,960,598 A	10/1990	Swiontek	
4,486,640 A	12/1984	Bowen et al.	219/729	4,961,944 A	10/1990	Matoba et al.	
4,493,685 A	1/1985	Blamer	493/235	4,963,708 A	10/1990	Kearns et al.	
4,496,815 A	1/1985	Jorgensen		D312,189 S	11/1990	Noel	
4,517,045 A	5/1985	Beckett	156/345	4,973,810 A	11/1990	Brauner	
4,518,651 A	5/1985	Wolfe, Jr.		4,982,064 A	1/1991	Hartman et al.	
4,529,089 A	7/1985	Gasbarra et al.	206/525	4,987,280 A	1/1991	Kanafani et al.	
4,532,397 A	7/1985	McClelland		4,990,349 A	2/1991	Chawan et al.	
D280,058 S	8/1985	Carlson	D7/629	4,992,638 A	2/1991	Hewitt et al.	
4,535,889 A	8/1985	Terauds	206/527	5,011,299 A	4/1991	Black, Jr. et al.	383/126
4,552,614 A	11/1985	Beckett	156/640	5,025,715 A	6/1991	Sir	
4,553,010 A	11/1985	Bohrer et al.		5,026,958 A	6/1991	Palacios	
4,571,337 A	2/1986	Cage et al.	426/107	5,035,800 A	7/1991	Kopach	
4,581,989 A	4/1986	Swartley	99/346	5,038,009 A	8/1991	Babbitt	
4,584,202 A	4/1986	Roccaforte	426/111	5,039,001 A	8/1991	Kinigakis et al.	229/120
4,586,649 A	5/1986	Webinger	229/114	5,041,295 A	8/1991	Perry et al.	
4,610,755 A	9/1986	Beckett	156/634	5,044,777 A	9/1991	Watkins et al.	383/100
4,612,431 A	9/1986	Brown et al.		5,050,791 A	9/1991	Bowden et al.	
4,626,352 A	12/1986	Massey et al.	210/469	5,052,369 A	10/1991	Johnson	
4,640,838 A	2/1987	Isakson et al.	426/107	5,057,331 A	10/1991	Levinson	426/243
4,641,005 A	2/1987	Seiferth		D321,302 S	11/1991	Zimmerman	
4,657,141 A	4/1987	Sorensen	206/519	5,063,072 A	11/1991	Gillmore et al.	
4,661,326 A	4/1987	Schainholz	422/310	5,075,526 A	12/1991	Sklenak et al.	
4,661,671 A	4/1987	Maroszek		5,077,066 A	12/1991	Mattson et al.	
4,661,672 A	4/1987	Nakanaga		5,081,330 A	1/1992	Brandberg et al.	
4,677,905 A	7/1987	Johnson	99/413	5,094,865 A	3/1992	Levinson	
4,678,882 A	7/1987	Bohrer et al.		5,095,186 A	3/1992	Scott Russell et al.	
D291,522 S	8/1987	Daenen et al.	D7/667	5,106,635 A	4/1992	McCutchan et al.	
4,685,997 A	8/1987	Beckett	156/629	5,107,087 A	4/1992	Yamada et al.	
4,697,703 A	10/1987	Will	206/438	5,108,768 A	4/1992	So	426/77
4,701,585 A	10/1987	Stewart		5,153,402 A	10/1992	Quick et al.	
4,703,148 A	10/1987	Mikulski et al.		5,176,284 A	1/1993	Sorensen	220/659
4,703,149 A	10/1987	Sugisawa et al.		5,189,947 A	3/1993	Yim	426/109
4,705,927 A	11/1987	Levendusky et al.		5,190,777 A	3/1993	Anderson et al.	
4,713,510 A	12/1987	Quick et al.		5,195,829 A	3/1993	Watkins et al.	383/100
4,714,012 A	12/1987	Hernandez	99/444	5,200,590 A	4/1993	Bowen et al.	
4,727,706 A	3/1988	Beer	53/434	D335,445 S	5/1993	Detert et al.	D9/761
4,734,288 A	3/1988	Engstrom et al.	426/107	D335,821 S	5/1993	Detert et al.	D9/761
4,738,882 A	4/1988	Rayford et al.	428/35	D336,242 S	6/1993	Detert et al.	D9/761
4,739,698 A	4/1988	Allaire	99/410	5,223,291 A	6/1993	Levinson et al.	
4,739,898 A	4/1988	Brown		5,230,914 A	7/1993	Akervik	
4,745,249 A	5/1988	Daniels		5,241,149 A	8/1993	Watanabe et al.	
4,777,053 A	10/1988	Tobelman et al.		D341,990 S *	12/1993	Yim	D7/354
4,794,005 A	12/1988	Swiontek		5,294,765 A	3/1994	Archibald et al.	219/727
4,797,010 A	1/1989	Coelho	383/109	5,298,708 A	3/1994	Babu et al.	219/728
4,803,088 A	2/1989	Yamamoto et al.	426/107	5,300,747 A	4/1994	Simon	
4,804,582 A	2/1989	Noding et al.	428/332	5,315,083 A	5/1994	Green	
4,806,718 A	2/1989	Seaborne et al.		5,363,750 A	11/1994	Miller et al.	99/426
4,808,780 A	2/1989	Seaborne		D353,303 S	12/1994	Davis	
4,810,845 A	3/1989	Seaborne		5,370,042 A	12/1994	Tolchin et al.	
4,818,831 A	4/1989	Seaborne		5,419,451 A	5/1995	Bitel, Jr.	220/306
4,825,025 A	4/1989	Seiferth		5,423,453 A	6/1995	Fritz	
4,842,876 A	6/1989	Anderson et al.		5,520,301 A	5/1996	Sohn	220/265
4,846,350 A	7/1989	Sorensen	206/520	D370,598 S	6/1996	Koch	
4,848,579 A	7/1989	Barnes et al.		D371,963 S	7/1996	Ahern, Jr.	

US D680,426 S

5,540,381 A	7/1996	Davis	6,486,455 B1	11/2002	Merabet
5,558,798 A	9/1996	Tsai	D466,762 S	12/2002	Cote et al. D7/545
D376,512 S	12/1996	Klemme D7/538	6,509,047 B2	1/2003	Edomwonyi
5,588,587 A	12/1996	Stier et al.	D470,768 S	2/2003	Melhede D9/428
D378,565 S	3/1997	Cousins D7/667	6,559,431 B2	5/2003	Hopkins 219/735
D378,566 S	3/1997	Cousins D7/667	6,565,910 B1	5/2003	Schell et al. 426/589
5,645,300 A	7/1997	Hill	D477,187 S	7/2003	McCallister et al.
5,645,762 A	7/1997	Cook et al.	6,608,292 B1	8/2003	Barnes
5,650,084 A	7/1997	Bley 219/727	6,612,482 B2	9/2003	Ross
D384,555 S	10/1997	Bradley	6,645,539 B2	11/2003	Bukowski et al.
5,674,546 A	10/1997	Barnes et al.	D483,616 S *	12/2003	Thonis D7/545
D386,042 S	11/1997	Miller	D485,473 S	1/2004	Dais et al. D7/629
5,690,853 A	11/1997	Jackson et al. 219/727	6,727,484 B2	4/2004	Policappelli
5,695,801 A	12/1997	Oh	6,803,551 B2	10/2004	Kim et al. 219/731
5,698,306 A	12/1997	Prorise et al.	D497,774 S	11/2004	Smith et al. D7/543
5,704,485 A	1/1998	Cautereels et al. 206/546	6,818,873 B2	11/2004	Savage et al.
5,718,933 A	2/1998	Fultz 426/115	6,840,159 B1	1/2005	Li 99/337
D391,440 S	3/1998	Cousins D7/360	D502,847 S	3/2005	Leonori D7/667
5,726,426 A	3/1998	Davis et al.	6,868,980 B2	3/2005	Schultz et al.
5,741,534 A	4/1998	Chung	D505,048 S	5/2005	Cornfield D7/409
5,747,086 A	5/1998	Bows et al.	D505,590 S	5/2005	Greiner et al. D7/409
5,753,895 A	5/1998	Olson et al. 219/727	D508,822 S	8/2005	Smith et al.
5,770,840 A	6/1998	Lorence	D513,942 S	1/2006	De Groote D7/665
5,807,597 A	9/1998	Barnes et al.	7,008,214 B2	3/2006	Faddi 425/382 R
D405,561 S	2/1999	Willinger et al. D30/129	7,022,359 B2	4/2006	Montserrat Gibernau
5,869,120 A	2/1999	Blazevich 426/132	7,025,213 B2	4/2006	Chen 210/474
5,871,790 A	2/1999	Monier et al. 426/107	D521,380 S	5/2006	Jackson et al.
5,876,811 A	3/1999	Blackwell et al.	7,038,181 B2	5/2006	Edmark
5,900,264 A	5/1999	Gics	7,045,190 B2	5/2006	Inagaki et al.
5,913,966 A	6/1999	Arnone et al. 99/413	D526,840 S	8/2006	Carlson
5,916,470 A	6/1999	Besser et al.	7,090,090 B2	8/2006	Ohyama
5,916,620 A	6/1999	Oh	D529,797 S	10/2006	Wilcox et al. D9/428
5,925,281 A	7/1999	Levinson	D543,796 S	6/2007	Lion et al. D7/667
5,928,554 A	7/1999	Olson et al. 219/727	D552,433 S	10/2007	Stewart D7/667
5,931,333 A	8/1999	Woodnorth et al.	D557,982 S	12/2007	Ablo D7/409
5,961,872 A	10/1999	Simon et al.	D558,536 S	1/2008	Curtin D7/667
5,970,858 A	10/1999	Boehm et al. 99/446	D558,602 S	1/2008	Kissner et al. D9/711
5,974,953 A	11/1999	Messerli 99/340	D563,157 S	3/2008	Bouveret et al.
5,986,248 A	11/1999	Matsuno et al. 219/728	D564,287 S	3/2008	Bouveret et al.
5,988,045 A	11/1999	Housley	D564,307 S	3/2008	Repp D7/667
5,988,050 A	11/1999	Foster, Jr. 99/467	D571,656 S	6/2008	Maslowski D9/425
D418,017 S	12/1999	Henry	D577,295 S	9/2008	Miller et al. D9/711
D419,371 S	1/2000	Haley	D582,201 S *	12/2008	Kellermann et al. D7/360
6,018,157 A	1/2000	Craft	D582,791 S	12/2008	Elmerhaus D9/721
6,042,856 A	3/2000	Sagan et al. 426/67	7,468,498 B2	12/2008	Tuskiewicz et al. 219/725
D422,176 S	4/2000	Laib	D584,111 S	1/2009	Eide et al. D7/667
6,049,072 A	4/2000	Olson et al. 219/727	D584,145 S	1/2009	Young
6,097,017 A	8/2000	Pickford	D590,663 S	4/2009	Simon et al.
6,103,291 A	8/2000	Fernandez Tapia 426/523	D591,591 S	5/2009	Moecks et al.
6,106,882 A	8/2000	Oh et al.	D592,948 S	5/2009	Mayer D9/418
D432,414 S	10/2000	Simpson et al. D9/711	D593,369 S	6/2009	Green et al. D9/428
D432,914 S	10/2000	Hayes et al.	D594,328 S	6/2009	Shapiro et al. D9/435
6,126,976 A	10/2000	Hasse, Jr. et al.	D598,717 S	8/2009	Jalet D7/667
6,136,355 A	10/2000	Fukuyama	D607,095 S	12/2009	LeMay et al. D23/366
D433,884 S	11/2000	Fujimoto D7/667	D610,903 S	3/2010	Shapiro et al. D9/428
6,147,337 A	11/2000	Besser	D611,300 S	3/2010	Chen et al. D7/409
6,150,646 A	11/2000	Lai et al.	D612,196 S	3/2010	Furlong
6,168,044 B1	1/2001	Zettle et al. 220/784	D613,131 S	4/2010	Chen et al. D7/667
6,175,105 B1	1/2001	Rubbright et al.	D630,061 S *	1/2011	Kellermann et al. D7/545
6,180,148 B1	1/2001	Yajima	D630,507 S	1/2011	Short et al. D9/427
6,180,150 B1	1/2001	Schäfer	D630,940 S	1/2011	Shapiro et al. D9/428
6,183,789 B1	2/2001	Nilsson et al.	D632,561 S	2/2011	Short et al. D9/427
6,187,354 B1	2/2001	Hopkins	D633,810 S	3/2011	Jenkins D9/721
6,192,792 B1	2/2001	Gremillion	D635,816 S	4/2011	France et al. D7/354
6,196,406 B1	3/2001	Ennis	D635,817 S	4/2011	France et al. D7/354
6,217,918 B1	4/2001	Oh et al.	D636,218 S	4/2011	France et al. D7/354
D441,597 S	5/2001	Wyche	7,977,612 B2	7/2011	Levy et al. 219/729
D442,425 S	5/2001	Wyche	D653,495 S	2/2012	France et al. D7/354
6,229,131 B1	5/2001	Koochaki	2001/0035402 A1	11/2001	Barrow 219/432
D445,633 S	7/2001	Bradley	2001/0043971 A1	11/2001	Johns
D449,102 S	10/2001	Shin D23/366	2002/0096450 A1	7/2002	Garst 206/516
D449,495 S	10/2001	Tucker et al.	2002/0110622 A1	8/2002	Lloyd et al. 426/115
6,309,684 B2	10/2001	Hopkins, Sr. 426/234	2003/0003200 A1	1/2003	Bukowski et al.
6,394,337 B1	5/2002	Ross et al.	2003/0068411 A1	4/2003	McCallister 426/107
6,396,036 B1	5/2002	Hanson 219/727	2003/0213718 A1	11/2003	Ducharme et al.
6,422,453 B1 *	7/2002	Wang 229/114	2004/0058038 A1	3/2004	Lee 426/107
6,455,084 B2	9/2002	Johns	2004/0107637 A1	6/2004	Sieverding 47/83
6,463,844 B1	10/2002	Wang et al.	2004/0121049 A1	6/2004	Ebner et al.
6,467,399 B1	10/2002	Boutte	2004/0164075 A1	8/2004	Henze et al. 219/740

2004/0238438	A1	12/2004	Chen	210/474
2005/0040161	A1	2/2005	Lin et al.	
2005/0051549	A1	3/2005	Nelson	
2005/0069602	A1	3/2005	Faddi	425/208
2005/0079250	A1	4/2005	Mao et al.	426/113
2005/0079252	A1	4/2005	Kendig et al.	426/125
2005/0082305	A1	4/2005	Dais et al.	
2005/0109772	A1	5/2005	Thorpe et al.	
2005/0112243	A1	5/2005	Bellmann	426/106
2005/0115417	A1	6/2005	Murat et al.	99/413
2005/0208182	A1	9/2005	Gilbert et al.	426/87
2005/0220939	A1	10/2005	Morrow	426/86
2005/0229793	A1	10/2005	Wengrovsky	99/483
2005/0256060	A1	11/2005	Hilgers et al.	514/25
2005/0271776	A1	12/2005	Siegel	426/138
2005/0281921	A1	12/2005	Langston et al.	
2006/0013929	A1	1/2006	Morris et al.	
2006/0088678	A1	4/2006	Berrier et al.	
2006/0110498	A1	5/2006	Dellinger et al.	
2006/0118552	A1	6/2006	Tiefenback	
2006/0121168	A1	6/2006	Flaherty et al.	
2006/0151339	A1	7/2006	Bradley et al.	
2006/0236593	A1	10/2006	Cap	
2006/0260598	A1	11/2006	Bjork et al.	
2006/0289522	A1	12/2006	Middleton et al.	219/730
2007/0029314	A1	2/2007	Rodgers et al.	
2007/0059406	A1	3/2007	Shahsvarani	426/106
2007/0090103	A1	4/2007	France et al.	219/400
2007/0116806	A1	5/2007	Parsons	426/107
2007/0116807	A1	5/2007	Parsons	426/107
2007/0131679	A1	6/2007	Edwards et al.	
2007/0181008	A1	8/2007	Pawlick et al.	99/450
2007/0251874	A1	11/2007	Stewart	210/232
2008/0069485	A1	3/2008	France et al.	
2008/0138473	A1	6/2008	Pawlick et al.	
2008/0178744	A1	7/2008	Hill	
2008/0210686	A1	9/2008	Shapiro et al.	
2009/0022858	A1	1/2009	Pawlick	
2009/0035433	A1	2/2009	France et al.	426/510
2009/0078125	A1	3/2009	Pawlick et al.	99/448
2009/0142455	A1	6/2009	Parsons	426/120
2010/0015293	A1	1/2010	Shapiro	

FOREIGN PATENT DOCUMENTS

EP	0326105	A1	8/1989
EP	0 449 643	A1	10/1991
EP	1 245 504	A1	10/2002
EP	1 352 841	A1	10/2003
EP	1 352 848	A1	10/2003
EP	1 514 804	A1	3/2005
EP	1 464 262	B1	7/2005
EP	1 612 150	A1	1/2006
EP	1 749 757	A2	2/2007
FR	2 631 315	A3	11/1989
FR	2 774 262	A1	8/1999
FR	2 846 196	A1	4/2004
FR	2 860 213		4/2005
FR	2 929 491		10/2009
GB	1 560 488		2/1980
GB	2 218 962	A	11/1989
GB	2 295 371	A	5/1996
GB	2 308 465	A	6/1997
GB	2 340 823	A	3/2000
JP	2-109882		4/1990
JP	4367476	A	12/1992
JP	06293366		10/1994
JP	09051767		2/1997
JP	10094370	A	4/1998
JP	10-129742		5/1998
JP	11113511		4/1999
JP	2001348074	A	12/2001
JP	2005059863	A	3/2005
JP	2005-312923		11/2005

JP	2006-034645		2/2006
MX	01011879	A	6/2002
SU	1149999	A	4/1985
WO	WO 86/00275		1/1986
WO	WO 96/07604		3/1996
WO	WO 98/33399		8/1998
WO	WO 99/59897		11/1999
WO	WO 02/051716		7/2002
WO	WO 03/086882	A1	10/2003
WO	WO 2004/045970	A1	6/2004
WO	WO 2006/098950	A2	9/2006
WO	WO 2006/128156	A2	11/2006
WO	WO 2006/136825	A1	12/2006
WO	WO 2007/003864	A2	1/2007
WO	WO 2008/109448	A2	9/2008
WO	WO 2008/109448	A3	9/2008
WO	WO 2009/097030	A1	8/2009
WO	WO 2009/136038	A1	11/2009

OTHER PUBLICATIONS

“Cafe Steamers,” HealthyChoice.com, http://www.healthychoice.com/products/meals/cafe_steamers.jsp (Retrieved Aug. 2007), 1 pg.

“Ziploc® Containers With Snap’n’Seal Lids: Designed With You in Mind,” brochure found at <http://www.ziploc.com/food-storage-containers/>, (Retrieved Nov. 14, 2005), 2 pgs.

“Ziploc® Containers With Snap’n’Seal Lids: Storage Made Simpler!,” brochure found at http://www.ziploc.com/new_containers.html, (Retrieved Nov. 14, 2005), 1 pg.

Succinylated Monoglycerides; <http://www.fao.org/ag/agn/jecfa-additives/specs/Monograph1/Additive-443.pdf>; 1982; obtained Sep. 14, 2012.

Anchor Hocking ’70 Catalog, p. 83, baking dishes at #4, 5 and 6 (Oct. 1970), 1 pg.

Photographs of a food tray available from Inter Frost GmbH at a trade show in Germany, Oct. 2005, 3 pgs.

http://www.unclebens.de/produkte/heiss_auf_reis/heiss_auf_reis_uebersicht.aspx, Mars Inc., 2006, 1 pg.

<http://www.pastanmoresale.com>, site accessed Jun. 15, 2010, 2 pgs. (now being sold at <http://pastaboat.com>).

Starmaid Microwave Steamer Jun. 26, 2006. [on line], retrieved on Oct. 13, 2011. Retrieved from the Internet: URL:<<http://www.flickr.com/photos/starmaid/51802825321/>>.

Progressive International Mini Steamer (on line), Jul. 18, 2006/ Retrieved from the Internet at the URL listed in the column immediately following this column: http://www.google.com/search?q=microwave+steamer&hl=en&biw=1291&bih=1015&sa=X&ei=0ZuXTtqGMKbt0gGMyoHWBA&ved=0CAkQpwUoBg&source=Int&tbs=cdr%3A1%2Ccd_min%3A%2Ccd_max%3A8%2F2%2F2007&tbm=#pq=microwave+steamer&hl=en&sugexp=gsih&cp=12&gs_id=9&xhr=I&q=microwave+mini+steamer&pf=p&sclient=psy-ab&biw=1291&bih=1015&tbs=img:1%2Ccdr%3A1%2Ccd_max%3A8%2F2%2F2006&.

Mini Steamer—Progressive International/Starmaid vegetable steamer. [on line]. retrieved Oct. 21, 2011. Retrieved from the Internet: URL<http://www.campingcookwarepro.com/Progressive_International_Microwavable_Mini_Steamer>.

Tupperware India, Cook easy Microsteamer. The Hindu Business Line, [on line]. Jun. 26, 2003, retrieved on Oct. 21, 2011. Retrieved from the Internet: URL:<<http://www.thehindubusinessline.in/catalyst/2003/06/26/stories/2003062600070406.htm>>.

Microwave mini steamer. Lunch in a Box, [on line] Feb. 12, 2007, retrieved on Oct. 13, 2011. Retrieved from the Internet: URL:<<http://www.flickr.com/photos/24506652@N00/388209604/>>.

Microwave steamer 2, Oct. 16, 2006. [on line]. Retrieved from the Internet: URL:<<http://www.flickr.com/photos/momsinmind/271170248/>>.

* cited by examiner

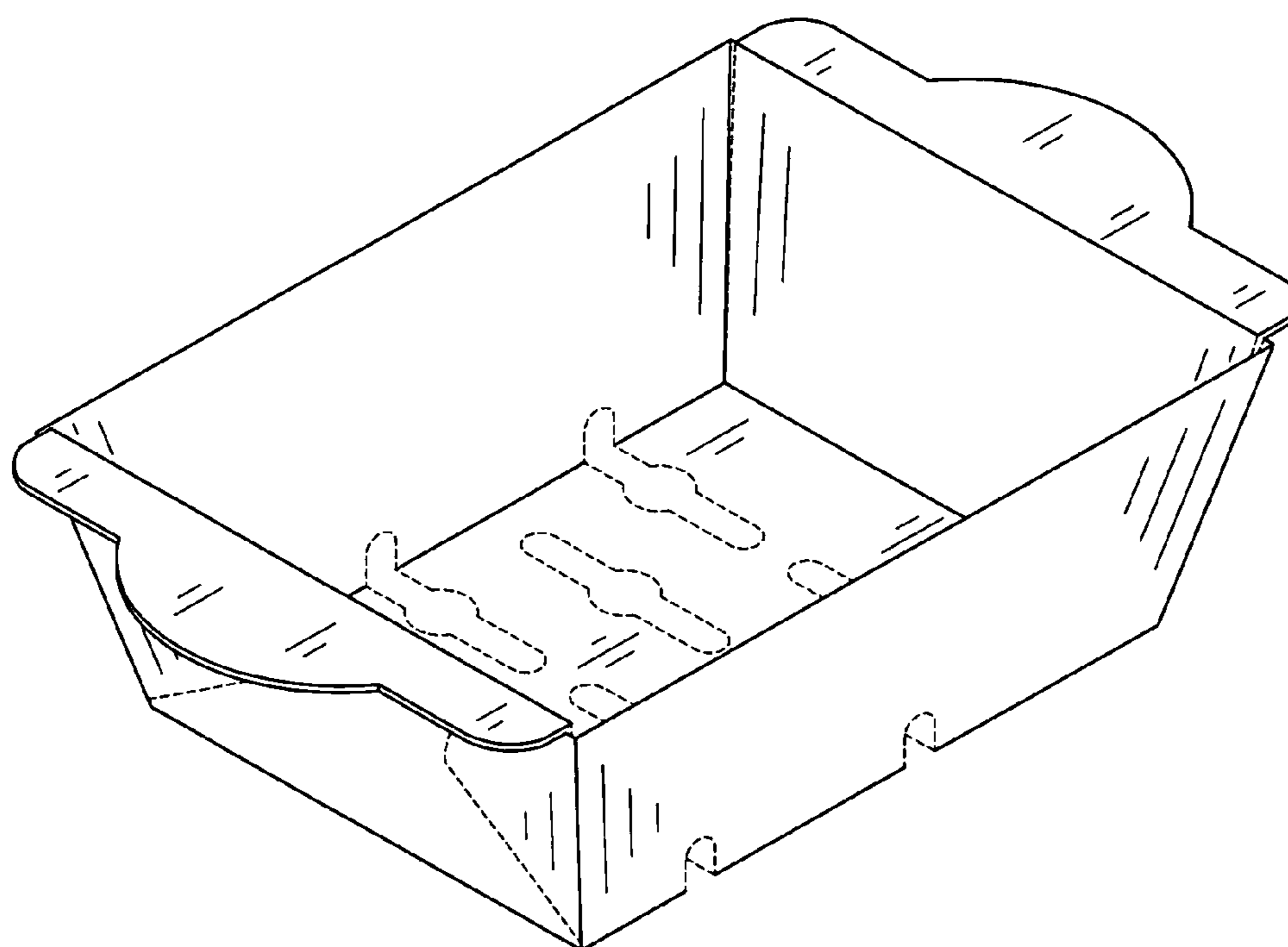


FIG. 1

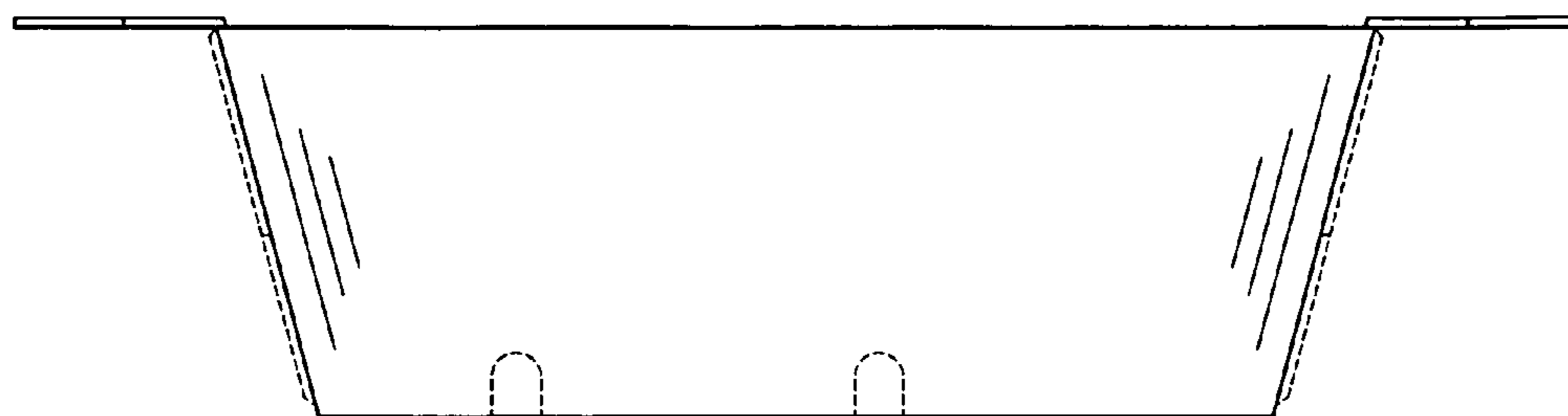


FIG. 2

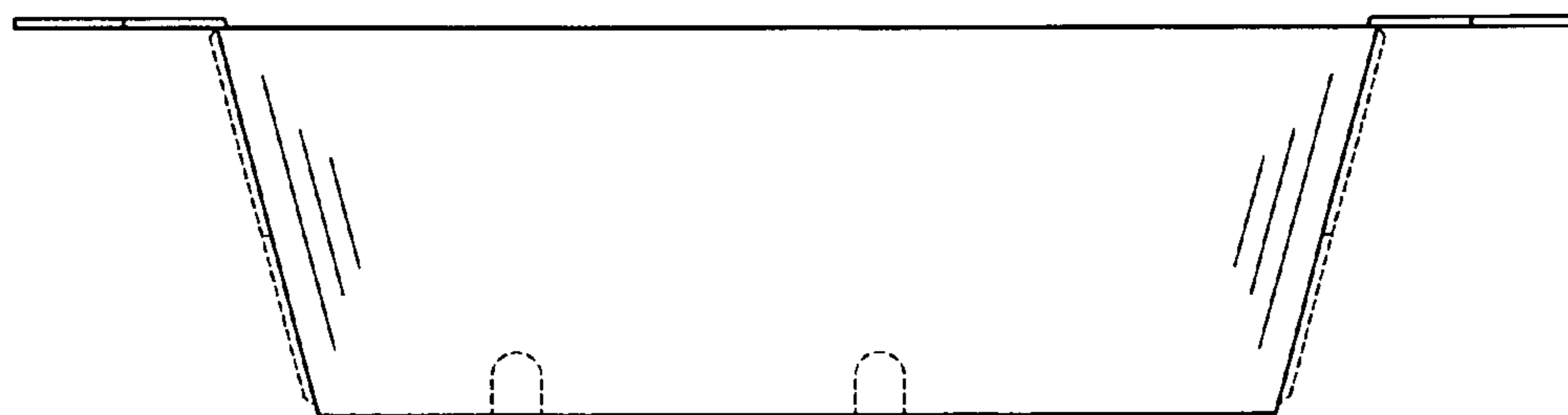


FIG. 3

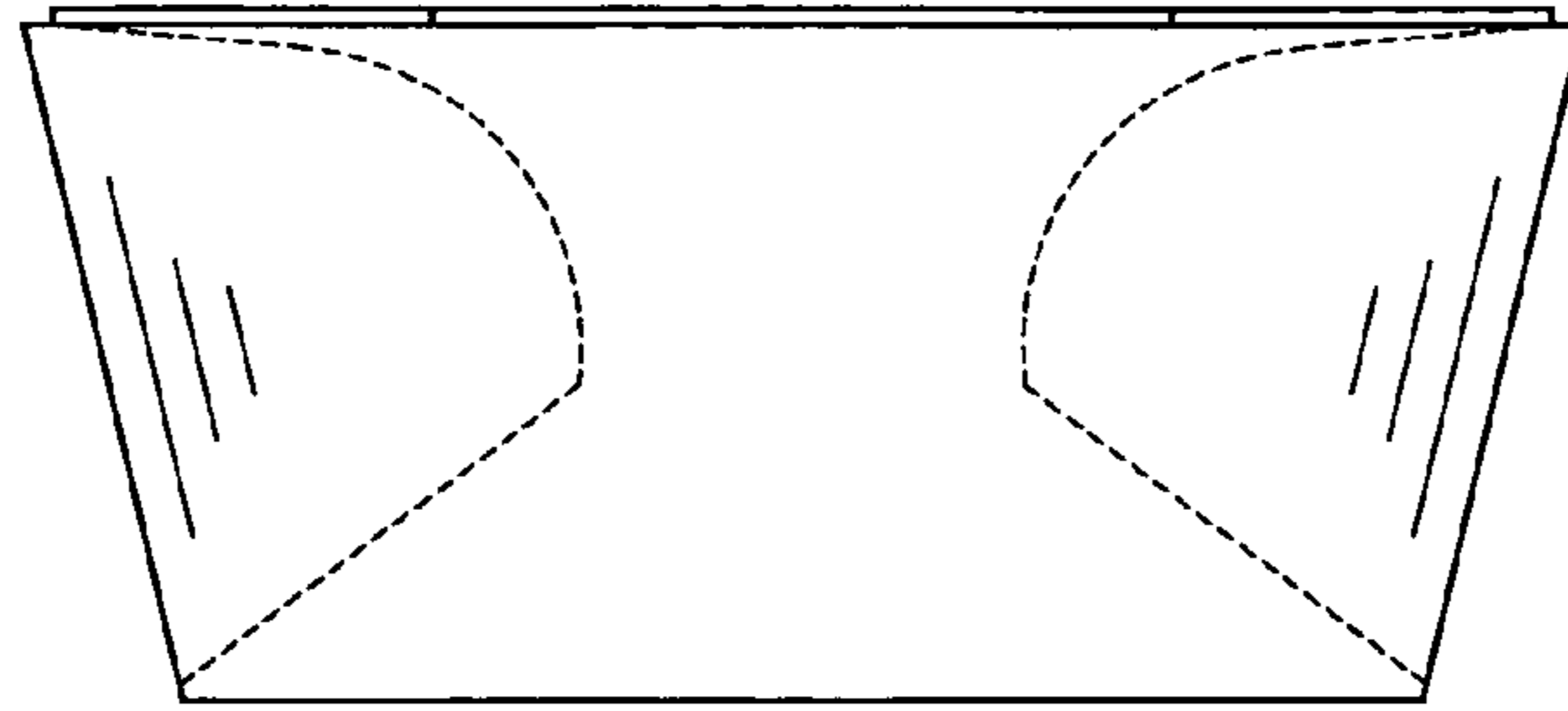


FIG. 4

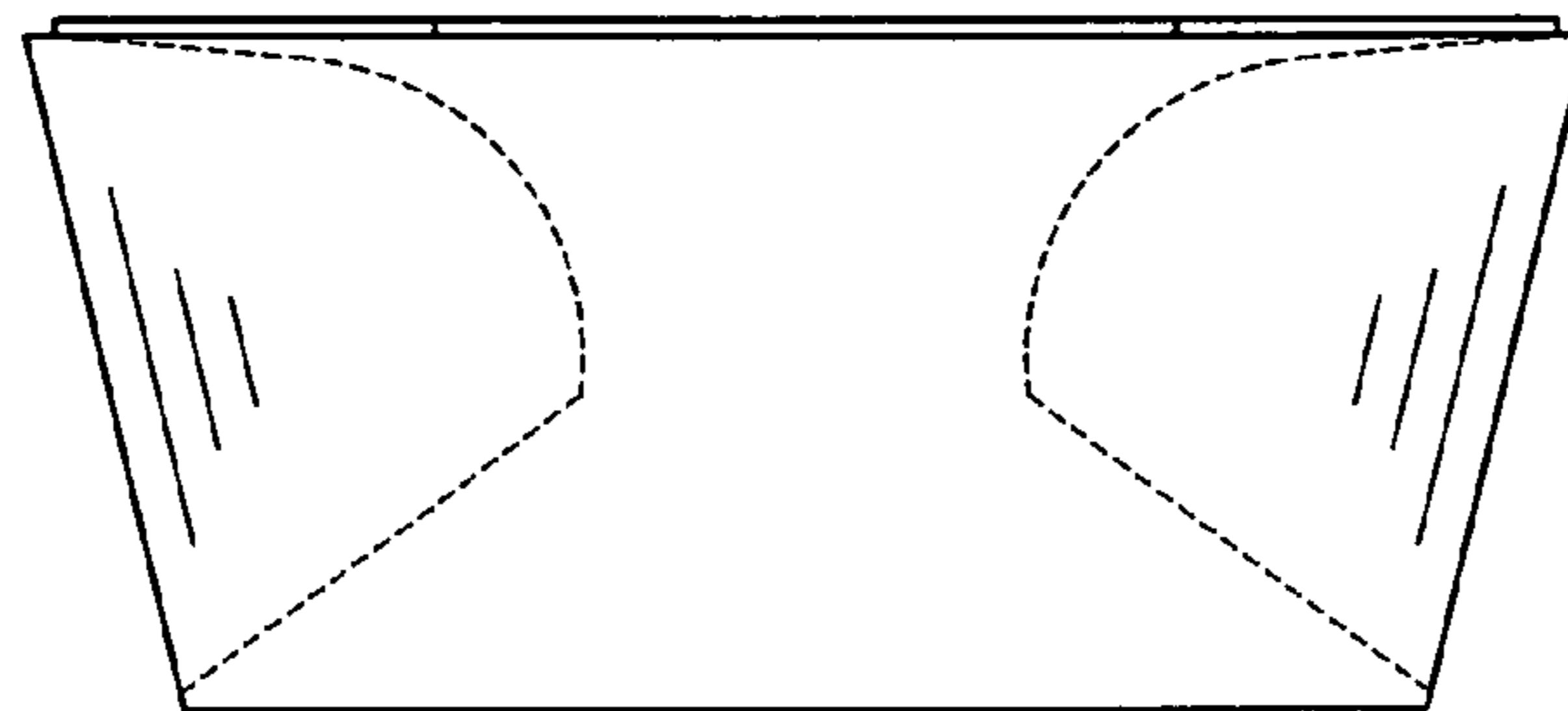


FIG. 5

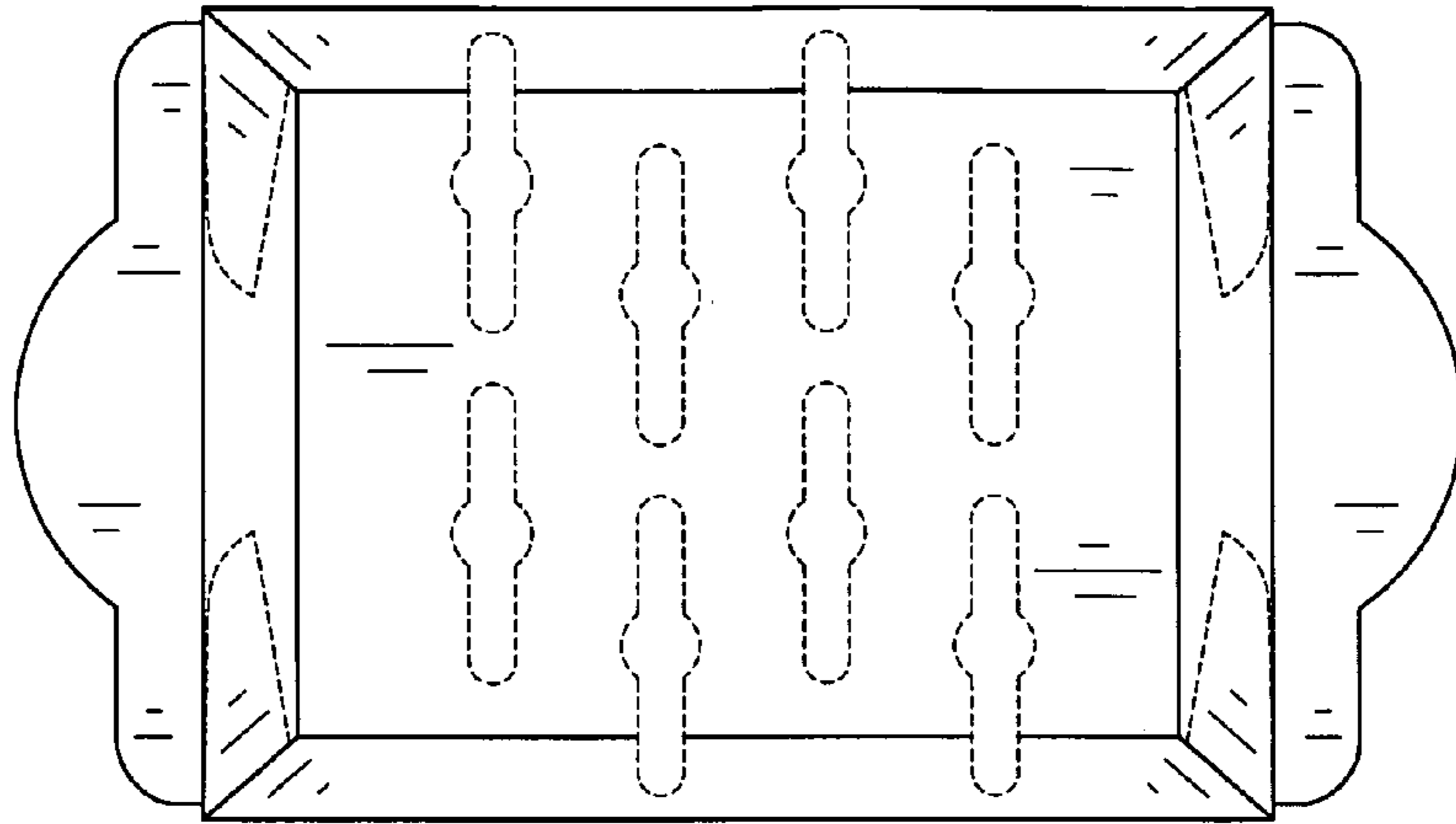


FIG. 6

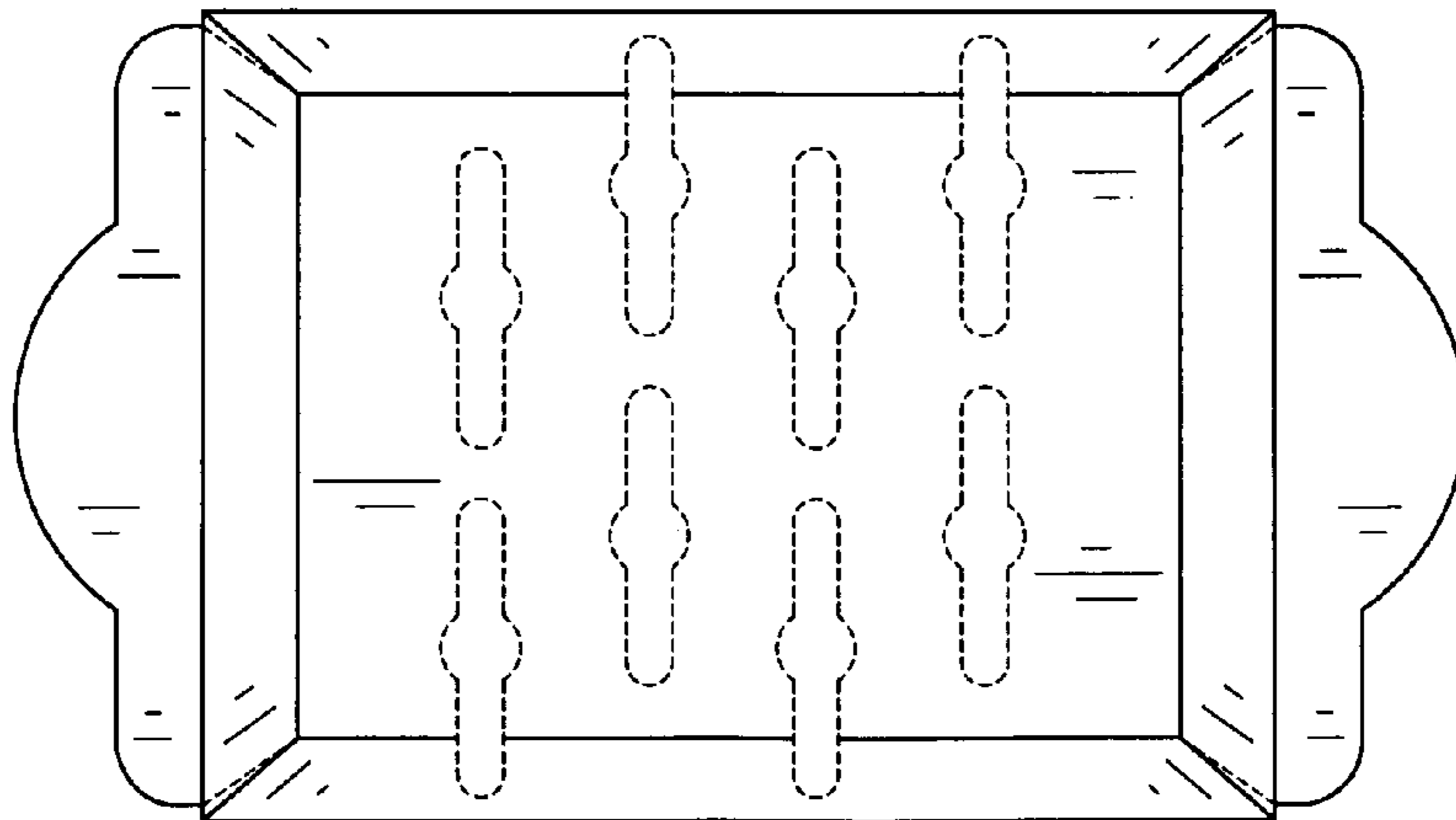


FIG. 7