



US00D680423S

(12) **United States Design Patent**  
**Wong**

(10) **Patent No.:** **US D680,423 S**

(45) **Date of Patent:** **\*\* Apr. 23, 2013**

(54) **DISPLAY BOX**

(75) Inventor: **Hoi Kwan Wong**, Thornton, CO (US)

(73) Assignee: **Navajo Manufacturing Company, Inc.**,  
Denver, CO (US)

(\*\*) Term: **14 Years**

(21) Appl. No.: **29/424,070**

(22) Filed: **Jun. 7, 2012**

(51) **LOC (9) Cl.** ..... **09-03**

(52) **U.S. Cl.**  
USPC ..... **D9/423**

(58) **Field of Classification Search** ..... D9/414-418,  
D9/420-423, 432, 337; 206/765, 756, 761,  
206/775-783; 229/122, 122.1, 238, 925,  
229/125.15, 162

See application file for complete search history.

(56) **References Cited**

U.S. PATENT DOCUMENTS

2,684,792	A	7/1954	Kraus	
2,803,390	A	8/1957	MacKay	
2,886,232	A	5/1959	Leone	
3,229,944	A	1/1966	Everburg	
3,593,908	A	7/1971	Desmond	
D235,784	S	7/1975	Maloy	
3,944,128	A	3/1976	Hogan	
4,150,752	A	4/1979	Breining et al.	
4,204,602	A	5/1980	Dunchock	
5,069,416	A	12/1991	Ennis	
D356,221	S	3/1995	Griffith	
5,458,272	A	10/1995	Ward-Weber	
D371,458	S	7/1996	Valls	
D374,366	S	10/1996	Eldon, III	
5,593,045	A	1/1997	Eldon, III	
D430,489	S *	9/2000	Bowers et al.	D9/416
6,189,778	B1	2/2001	Kanter	
D447,686	S *	9/2001	Cattell et al.	D9/417
D491,059	S *	6/2004	Kim	D9/416

6,951,300	B2	10/2005	Caille	
D519,828	S *	5/2006	Cavero et al.	D9/417
7,040,754	B2	5/2006	Hamaker	
7,066,380	B2	6/2006	Blake	
D536,563	S	2/2007	Smith	
7,703,665	B2	4/2010	McGowan	
D649,032	S *	11/2011	Hearn	D9/423

\* cited by examiner

*Primary Examiner* — Thomas Johannes

(74) *Attorney, Agent, or Firm* — Jacobson Holman PLLC

(57) **CLAIM**

The ornamental design for a display box, as shown and described.

**DESCRIPTION**

FIG. 1 is a perspective view showing my new design for a display box,

FIG. 2 is a front view thereof, in a typical usage condition showing unclaimed eyeglasses,

FIG. 3 is a rear view thereof, without usage condition subject matter,

FIG. 4 is a top view thereof,

FIG. 5 is a bottom view thereof,

FIG. 6 is a left side view thereof,

FIG. 7 is a right side view thereof,

FIG. 8 is a front perspective view of an eyeglass support,

FIG. 9 is a rear perspective view thereof,

FIG. 10 is a front view thereof,

FIG. 11 is a rear view thereof,

FIG. 12 is a top view thereof,

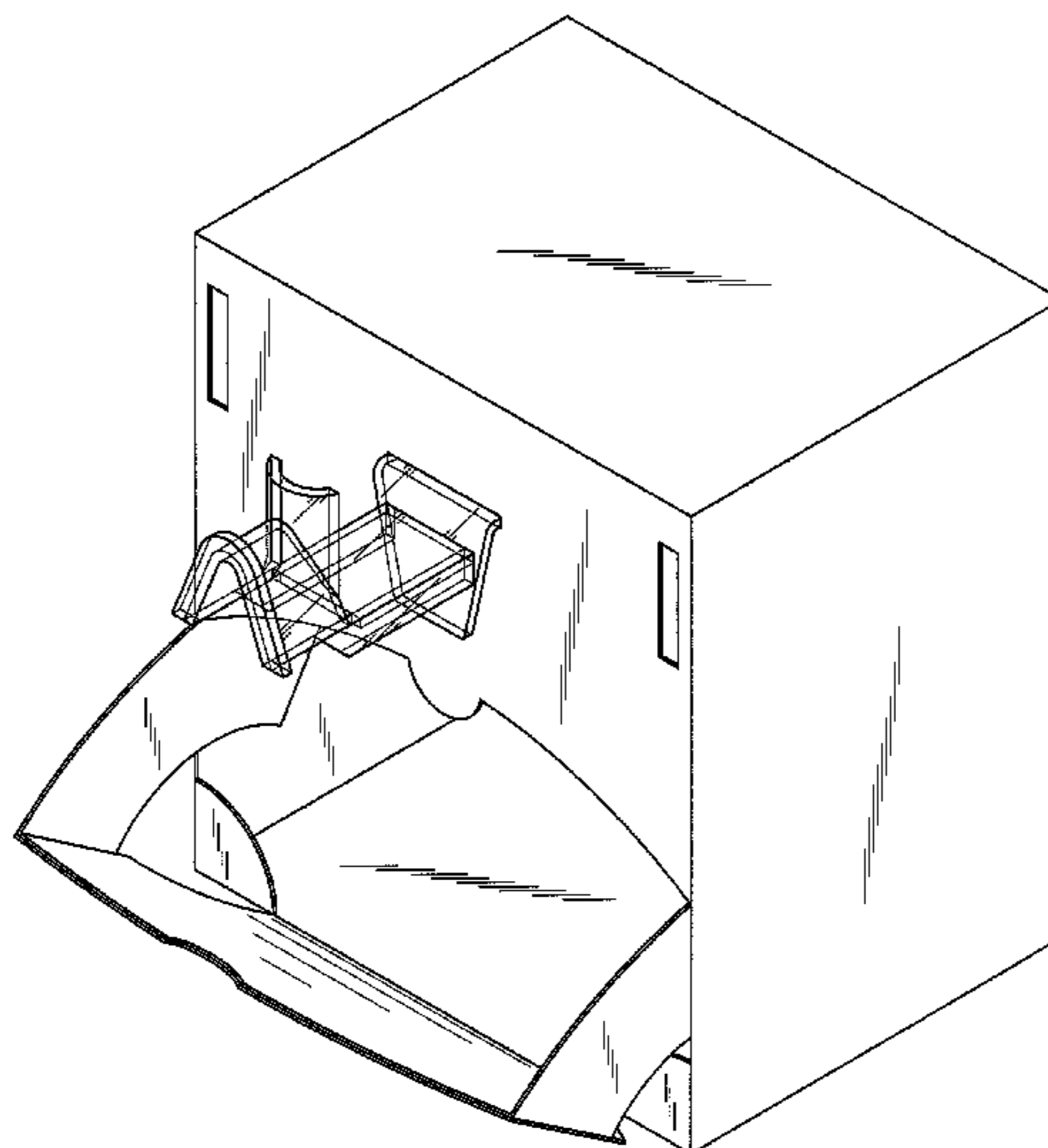
FIG. 13 is a bottom view thereof,

FIG. 14 is a left side view thereof; and,

FIG. 15 is a right side view thereof.

The broken line portion of FIG. 2 showing a pair of phantom eyeglasses is included to show unclaimed usage condition subject matter only and forms no part of the claimed design.

**1 Claim, 8 Drawing Sheets**



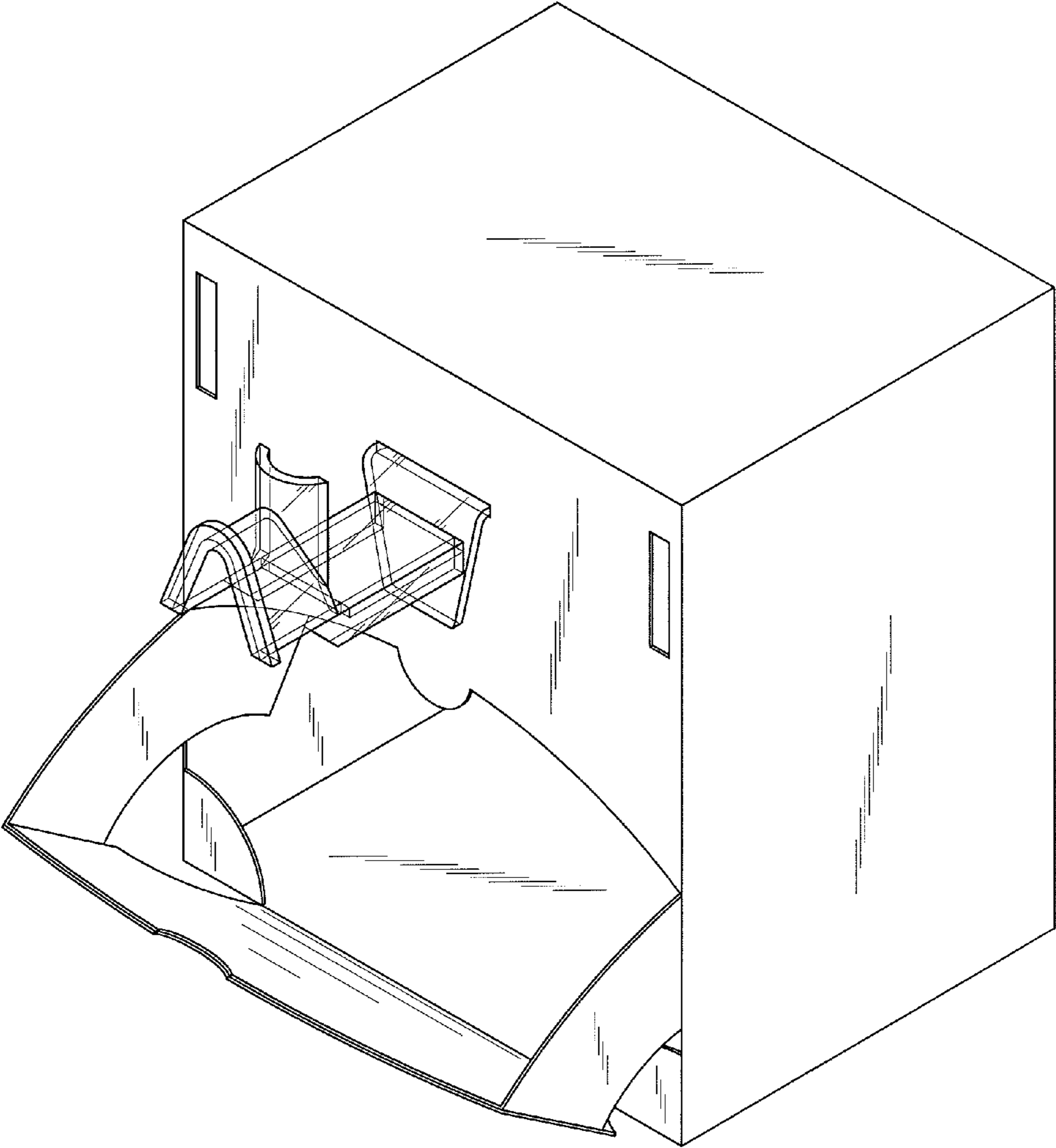


FIG. 1

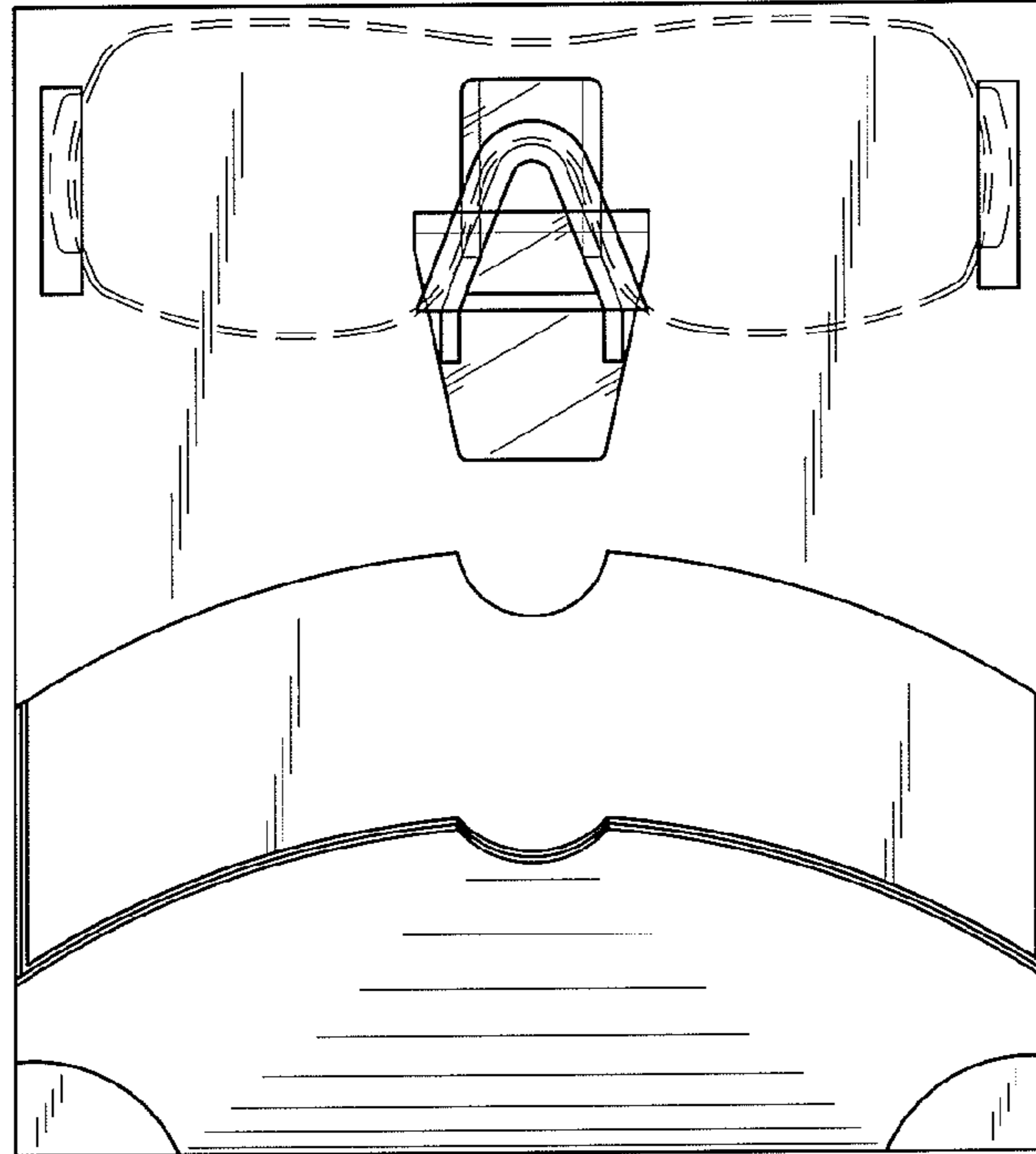


FIG. 2

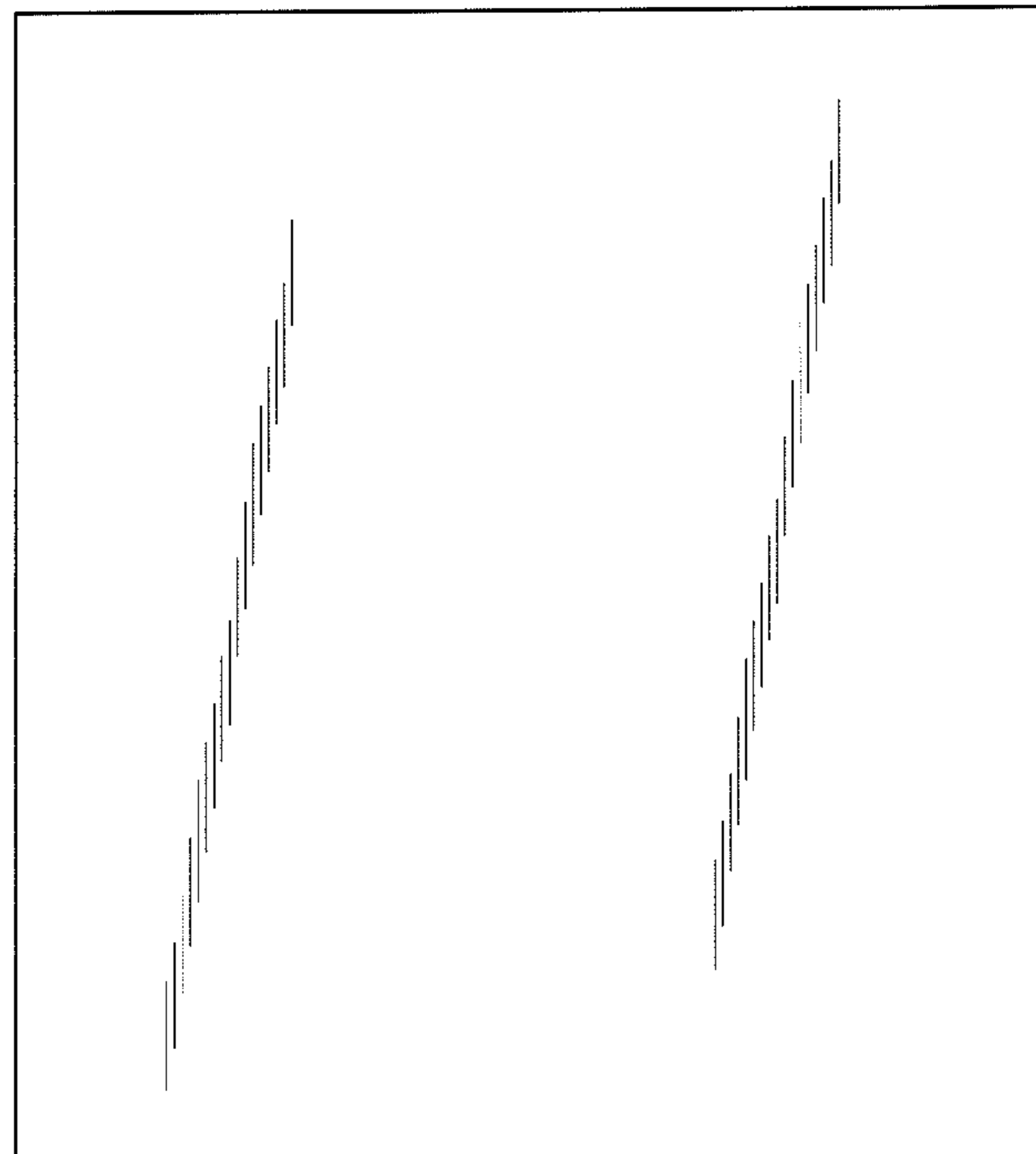


FIG. 3

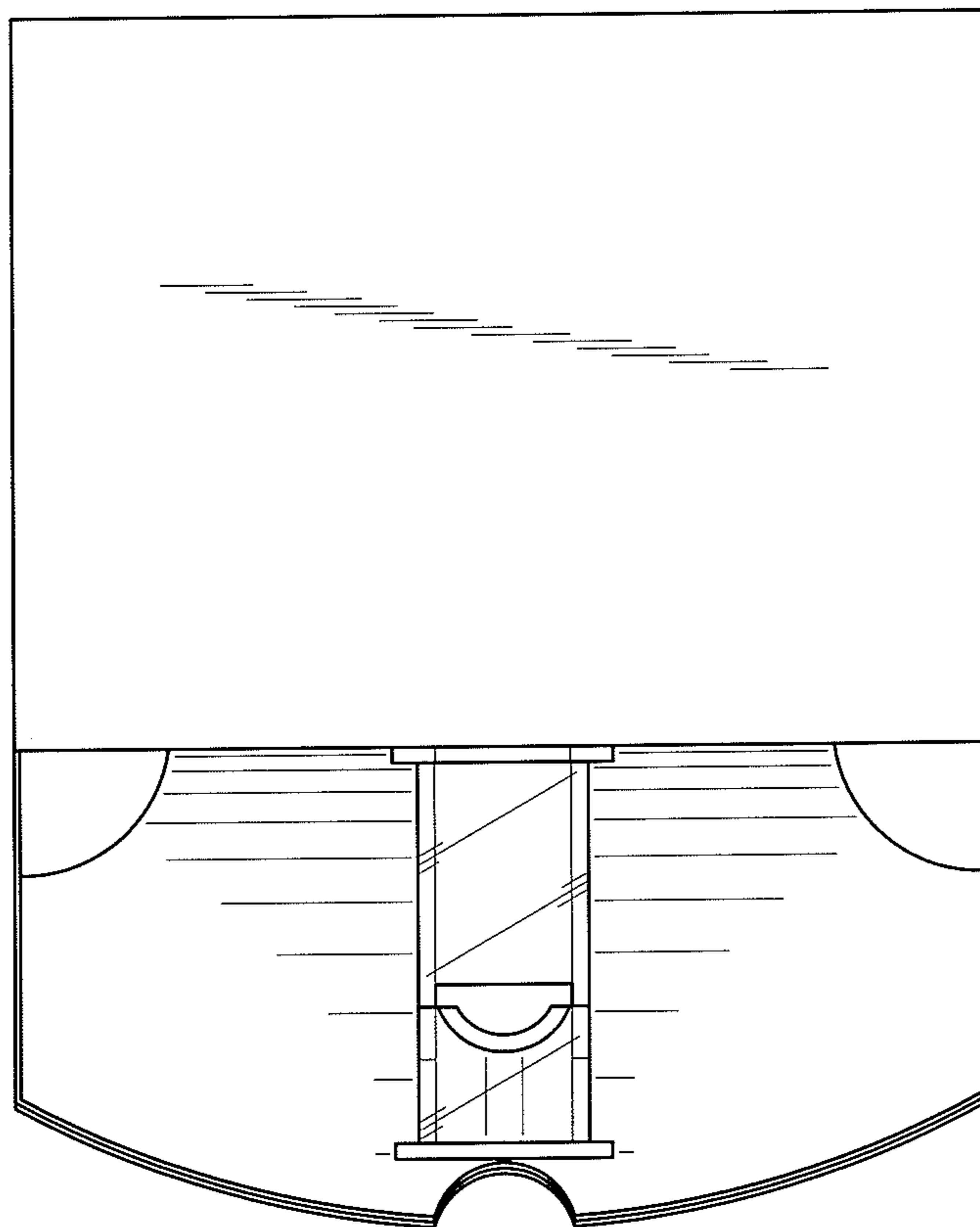


FIG. 4

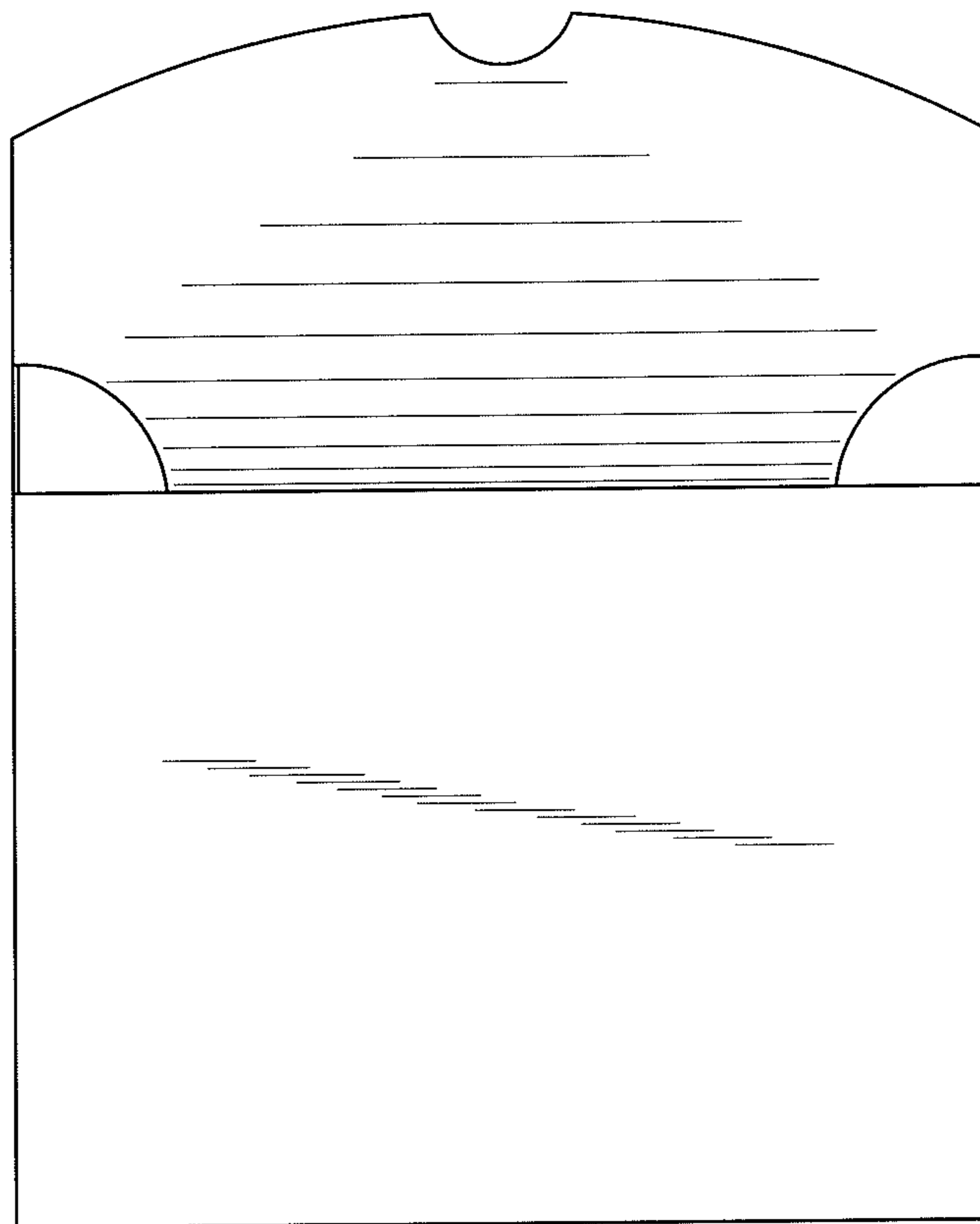


FIG. 5

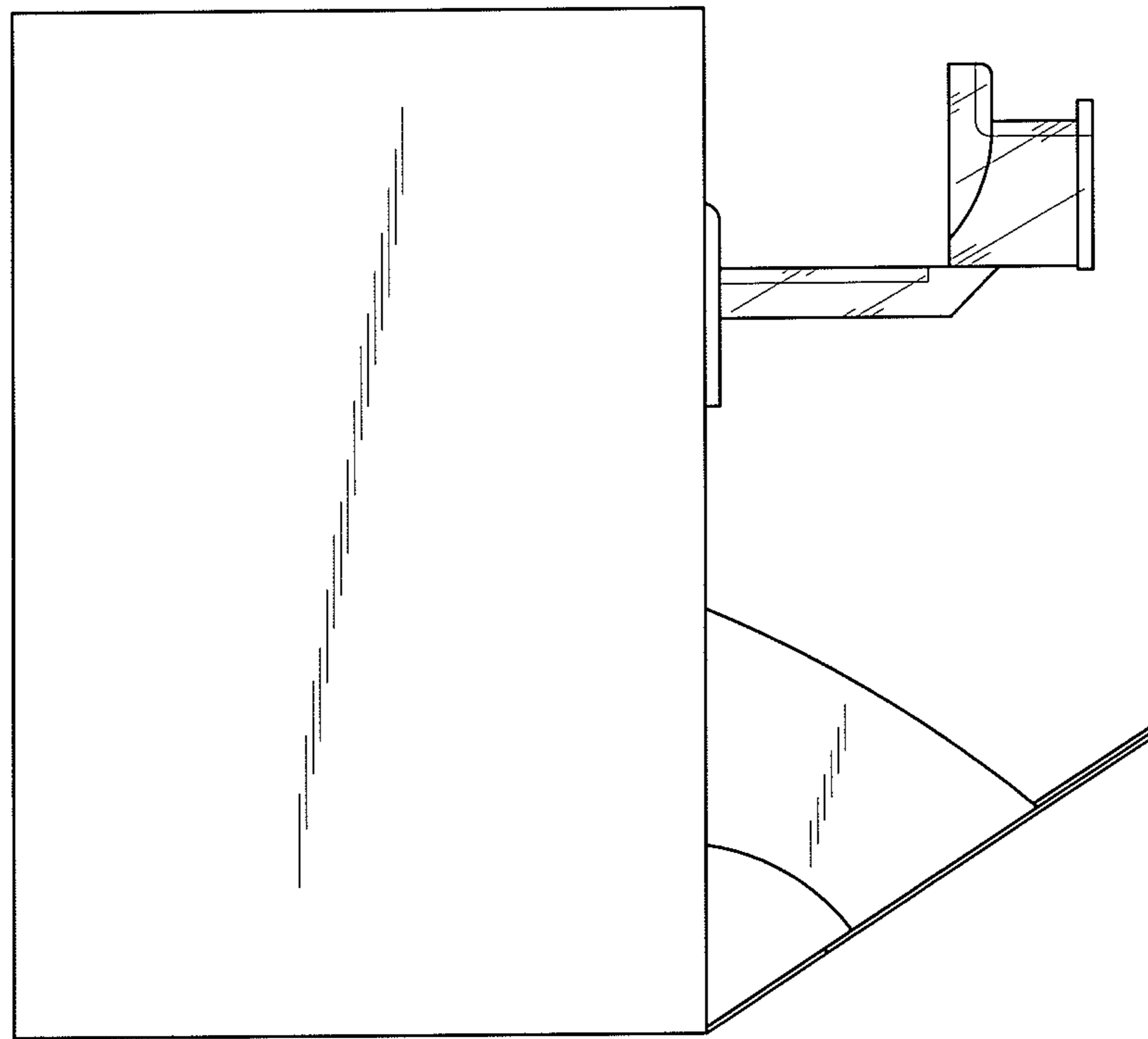


FIG. 6

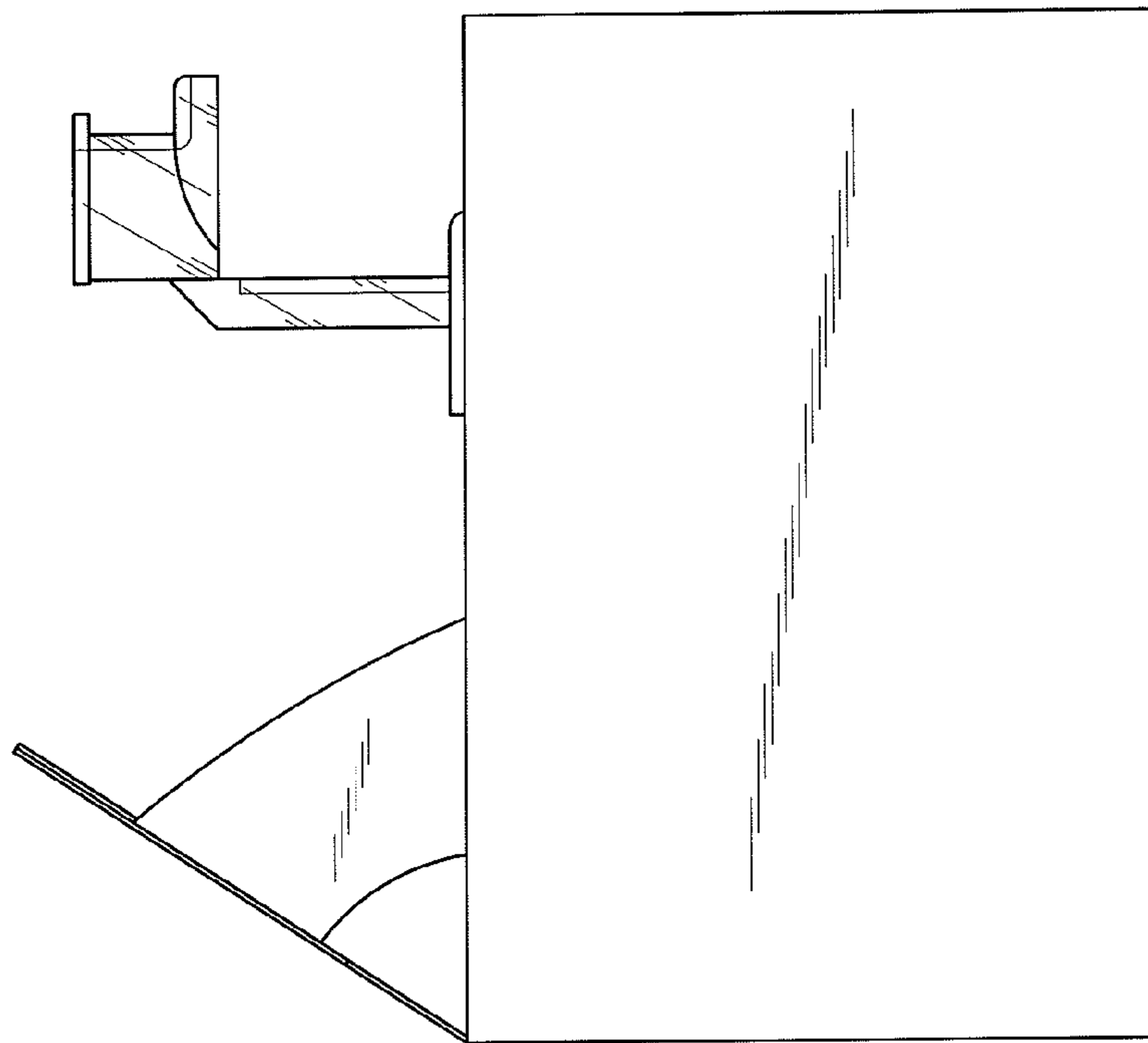


FIG. 7

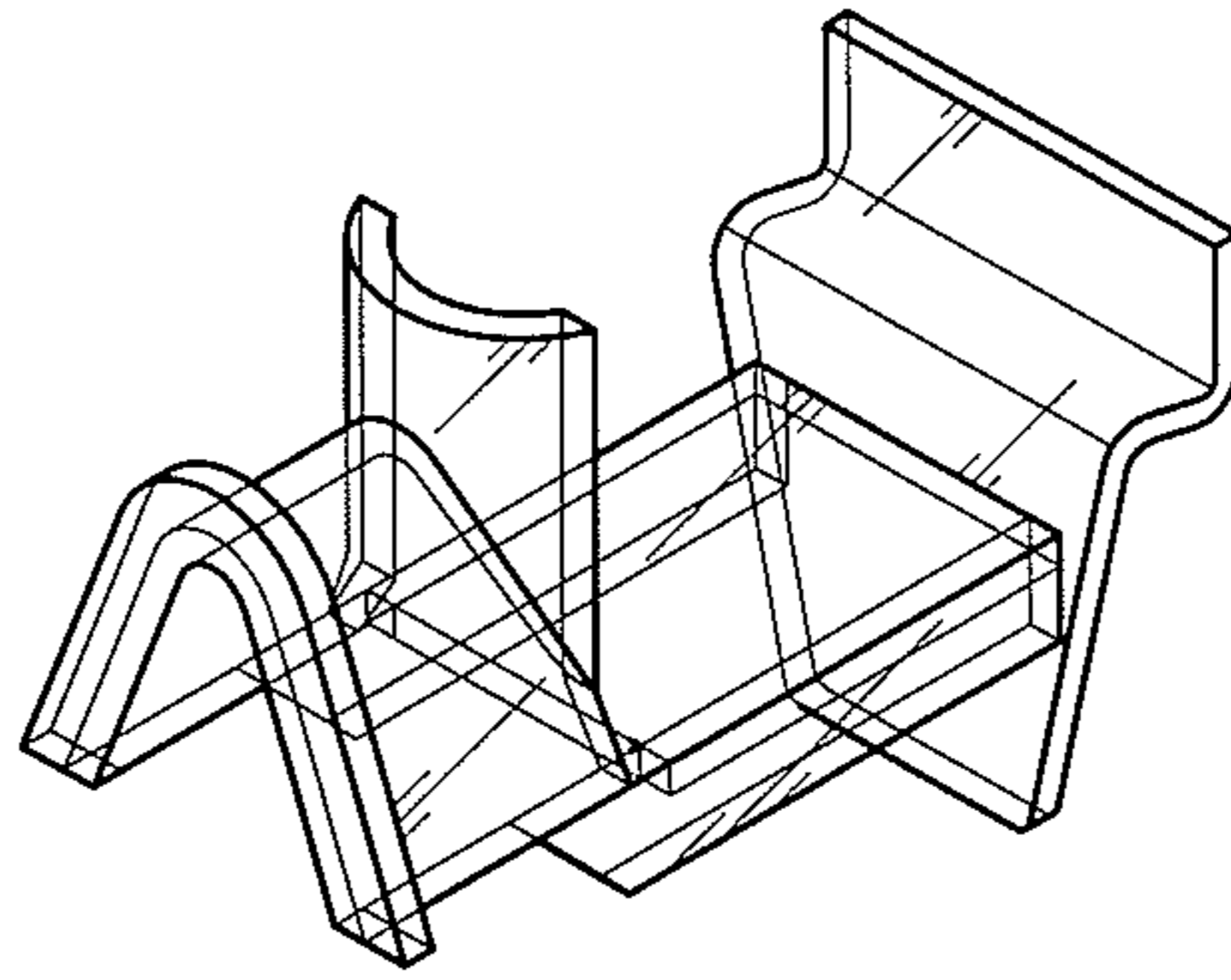


FIG. 8

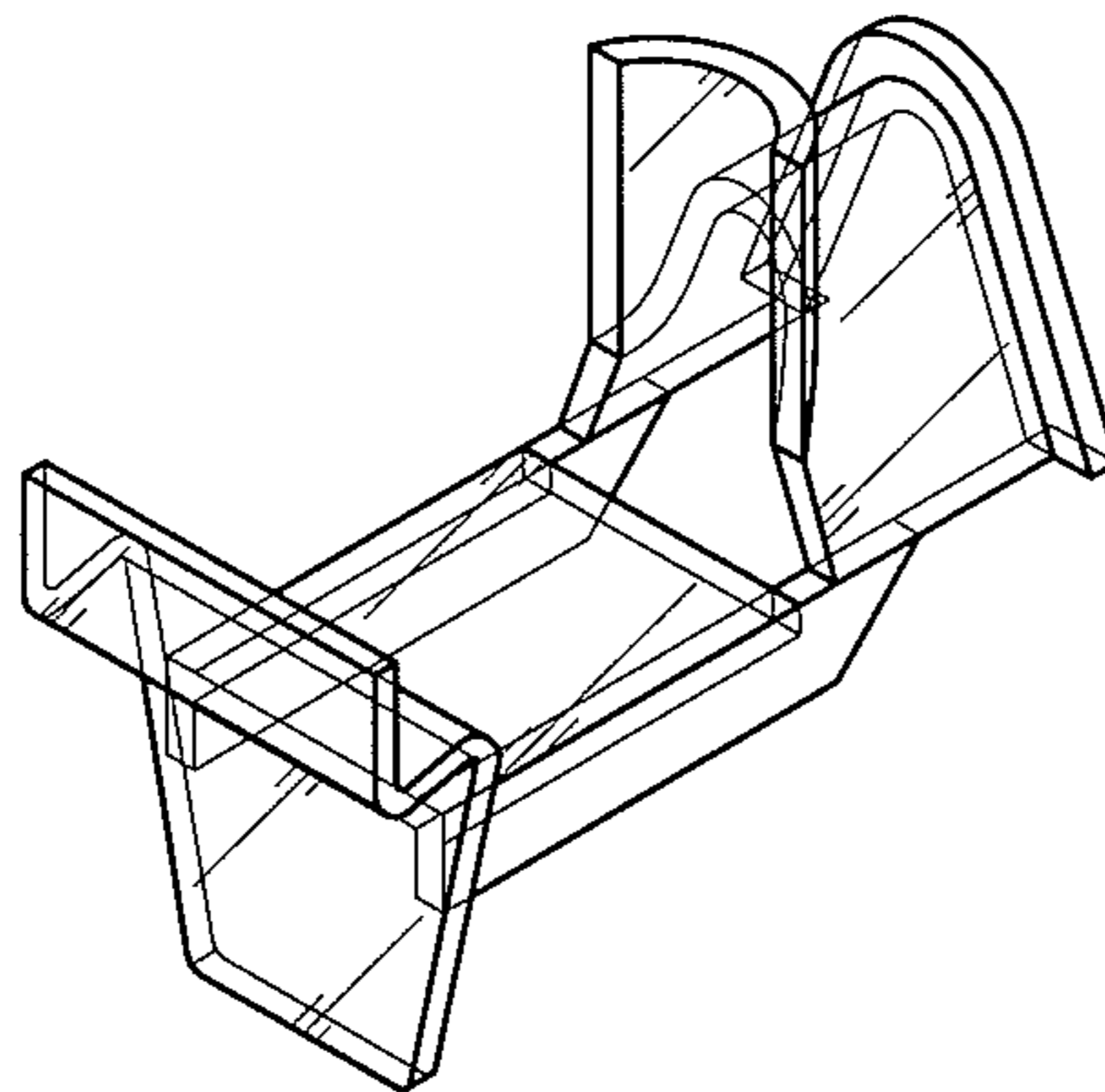


FIG. 9



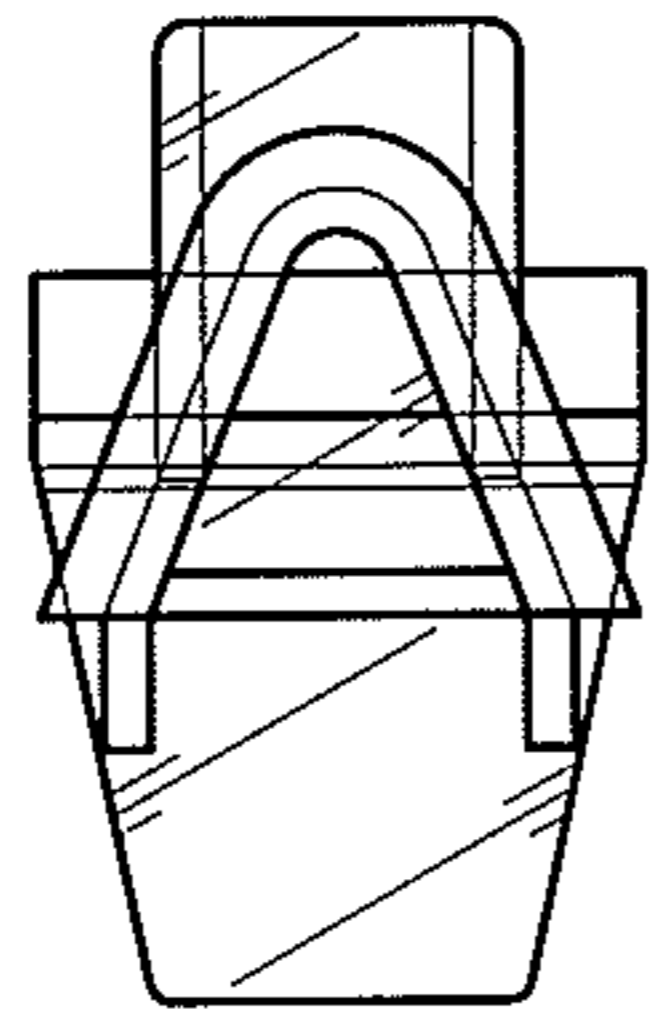


FIG. 10

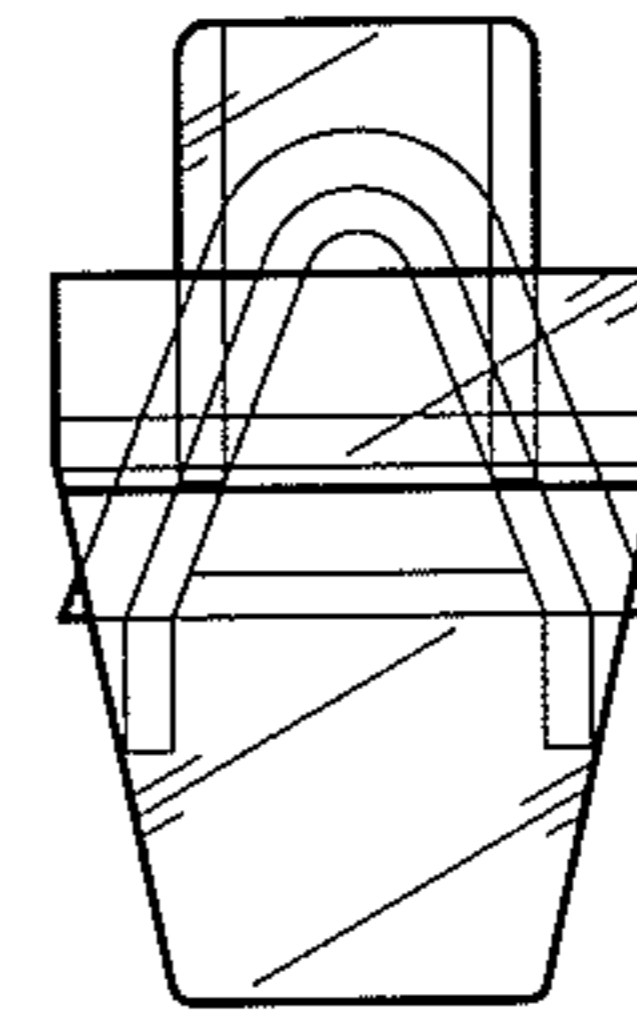


FIG. 11

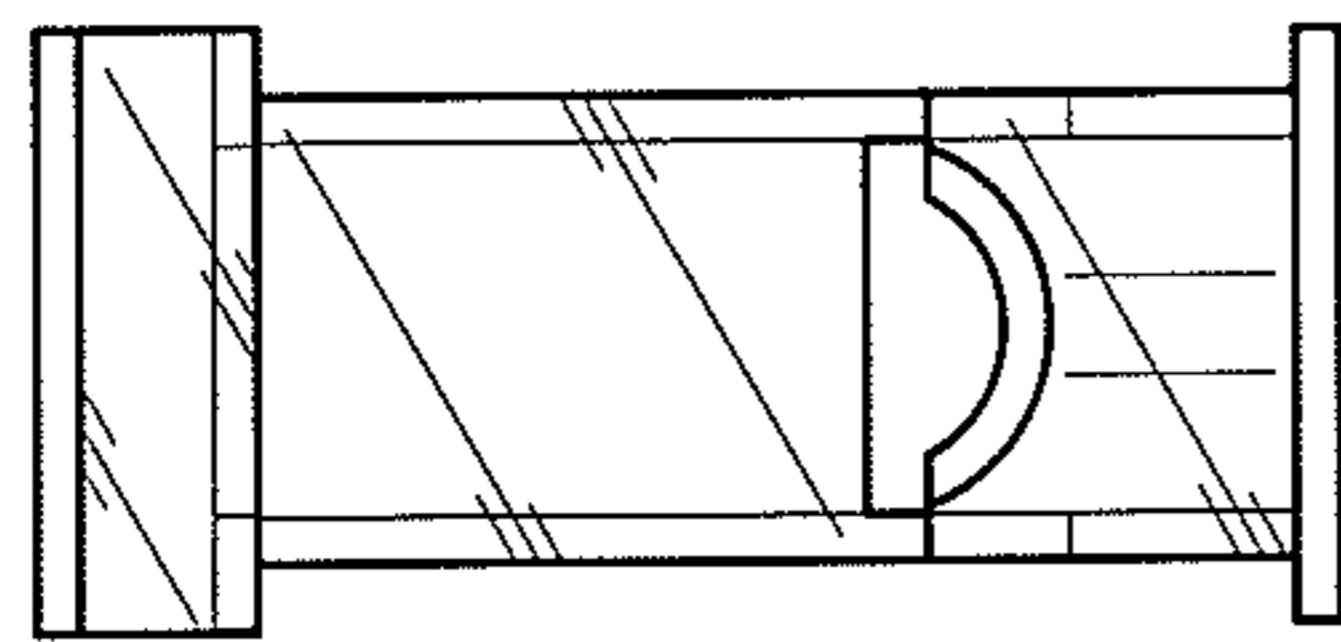


FIG. 12

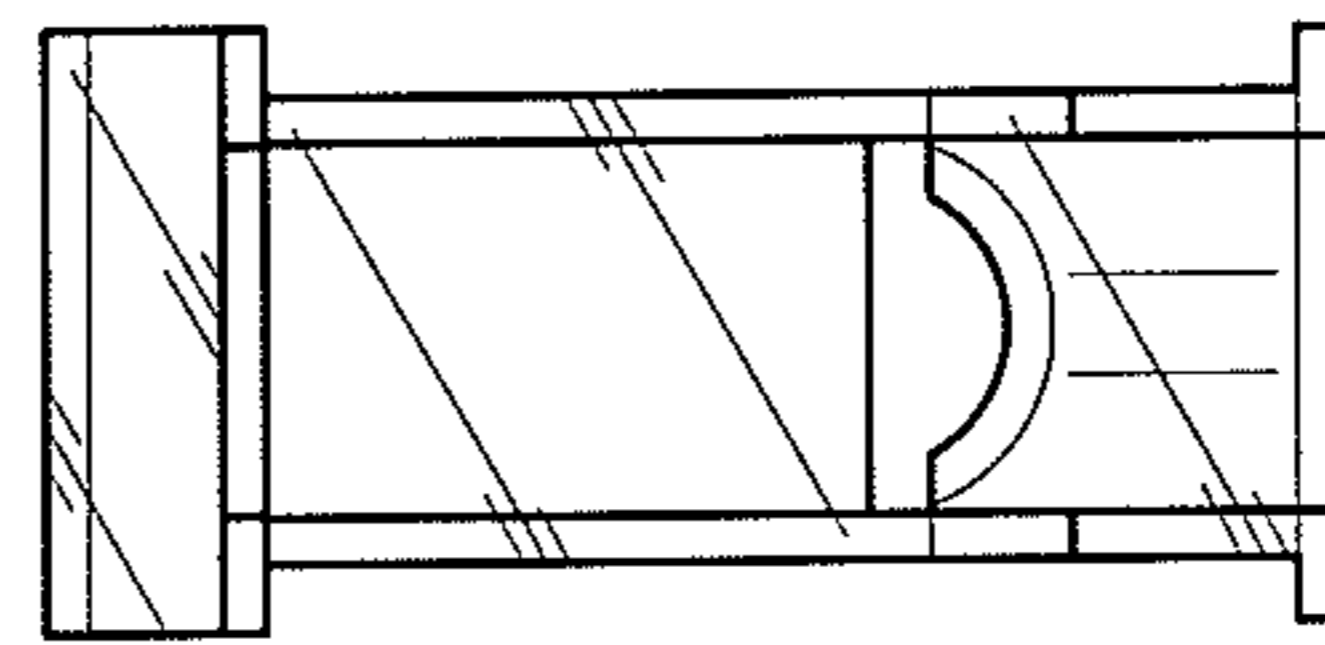


FIG. 13

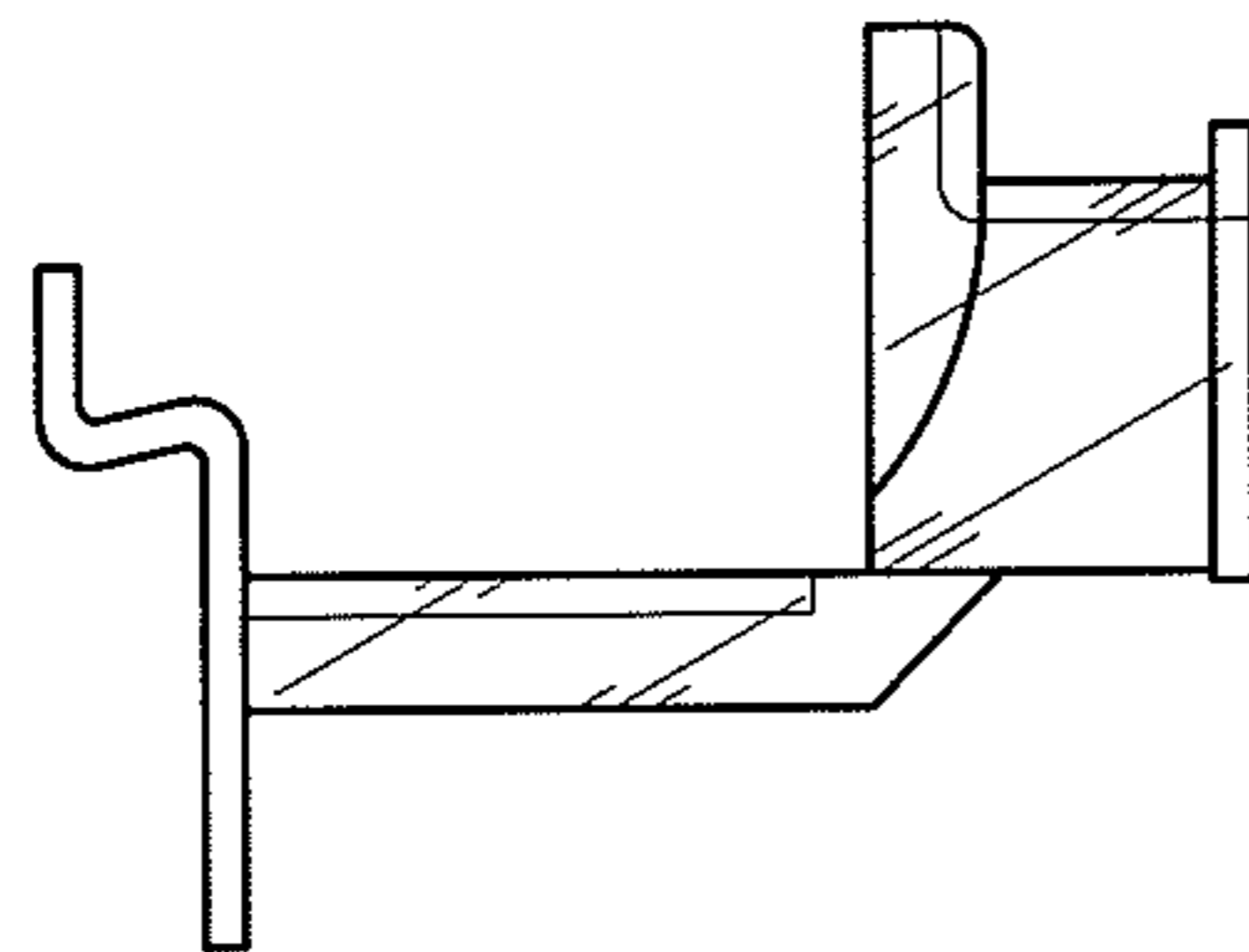


FIG. 14

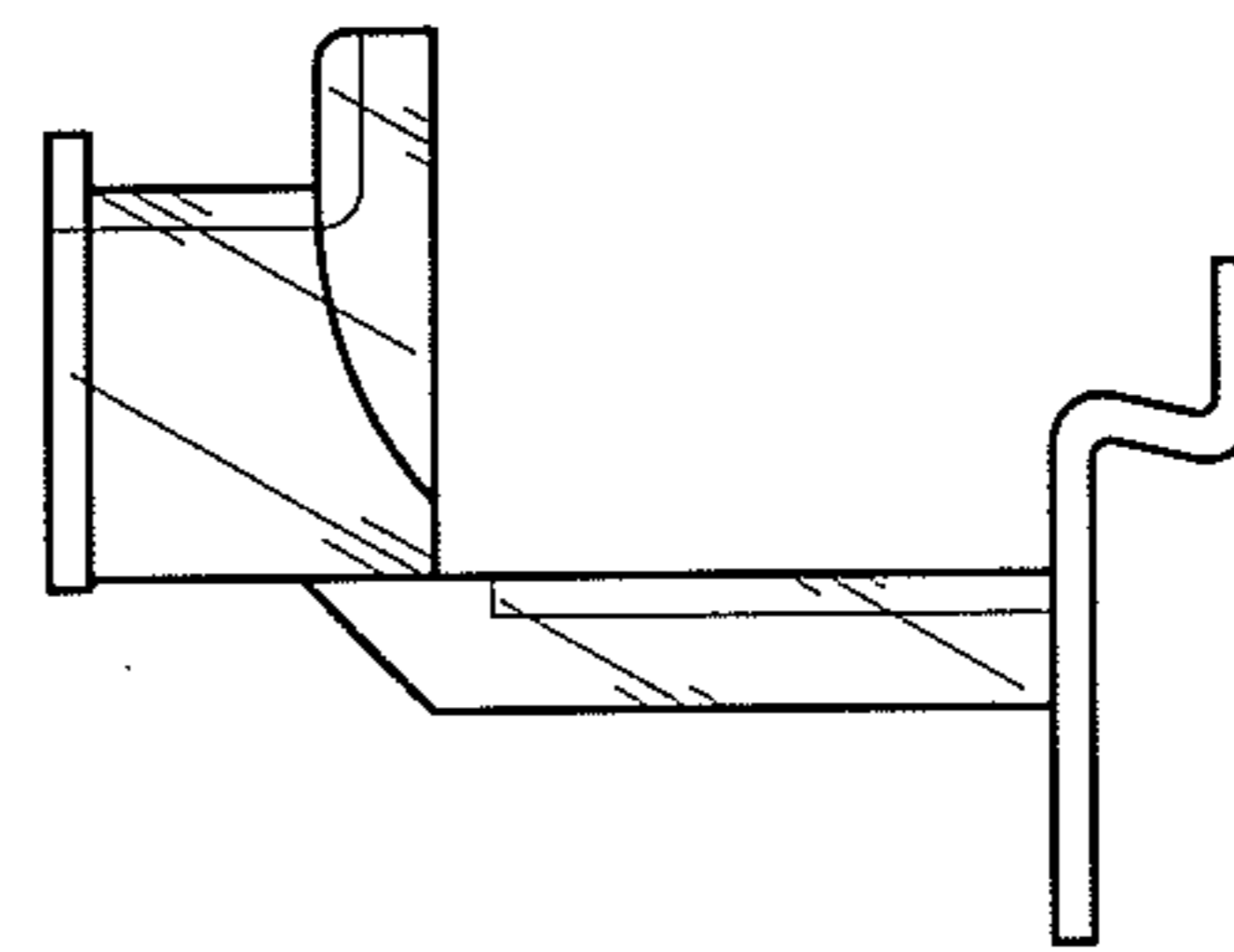


FIG. 15