



US00D680417S

(12) **United States Design Patent**
Crepinsek

(10) **Patent No.:** **US D680,417 S**

(45) **Date of Patent:** **** Apr. 23, 2013**

(54) **KEY BLANK**

(76) Inventor: **Alois Crepinsek**, Chandler, AZ (US)

(**) Term: **14 Years**

(21) Appl. No.: **29/413,315**

(22) Filed: **Feb. 14, 2012**

(51) **LOC (9) Cl.** **08-07**

(52) **U.S. Cl.**
USPC **D8/347**

(58) **Field of Classification Search** D8/347,
D8/348; 70/51, 336, 344, 348, 391, 393,
70/402, 408, 416.429, 430, 460.447
See application file for complete search history.

(56) **References Cited**

U.S. PATENT DOCUMENTS

D342,887	S	*	1/1994	Eizen	D8/347
5,383,345	A	*	1/1995	Kallinger-Prskawetz-Jacobsen	. 70/395	
D361,708	S	*	8/1995	Kahonen	D8/347
D370,169	S	*	5/1996	Widen	D8/347
D389,624	S	*	1/1998	Drimmie et al.	D32/46
5,832,761	A	*	11/1998	Chen	70/395

6,637,245	B1	*	10/2003	Bolton	70/408
D495,584	S	*	9/2004	Su	D8/347
D553,951	S	*	10/2007	Meckbach	D8/347
D635,006	S	*	3/2011	Heikinmatti	D8/347

* cited by examiner

Primary Examiner — Prabhakar Deshmukh

(74) *Attorney, Agent, or Firm* — Parsons & Goltry; Michael W. Goltry; Robert A. Parsons

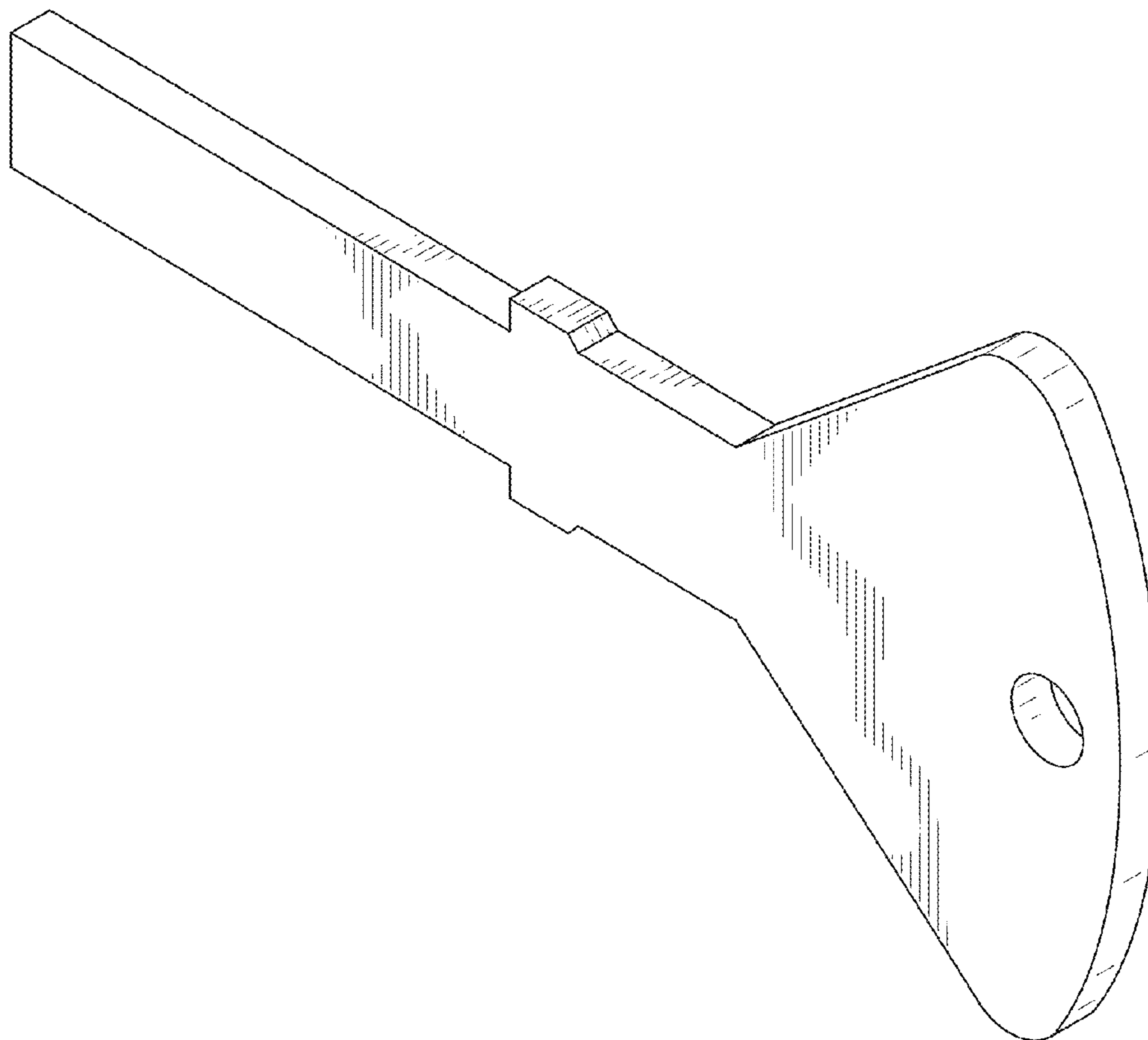
(57) **CLAIM**

The ornamental design for a key blank, as shown and described.

DESCRIPTION

FIG. 1 is a perspective view of a key blank showing my new design;
 FIG. 2 is a left side elevation view thereof, the right side elevation view thereof being the same thereof;
 FIG. 3 is a top plan view thereof, the bottom plan view thereof being the same thereof;
 FIG. 4 is a front elevation view thereof; and,
 FIG. 5 is a rear elevation view thereof.

1 Claim, 4 Drawing Sheets



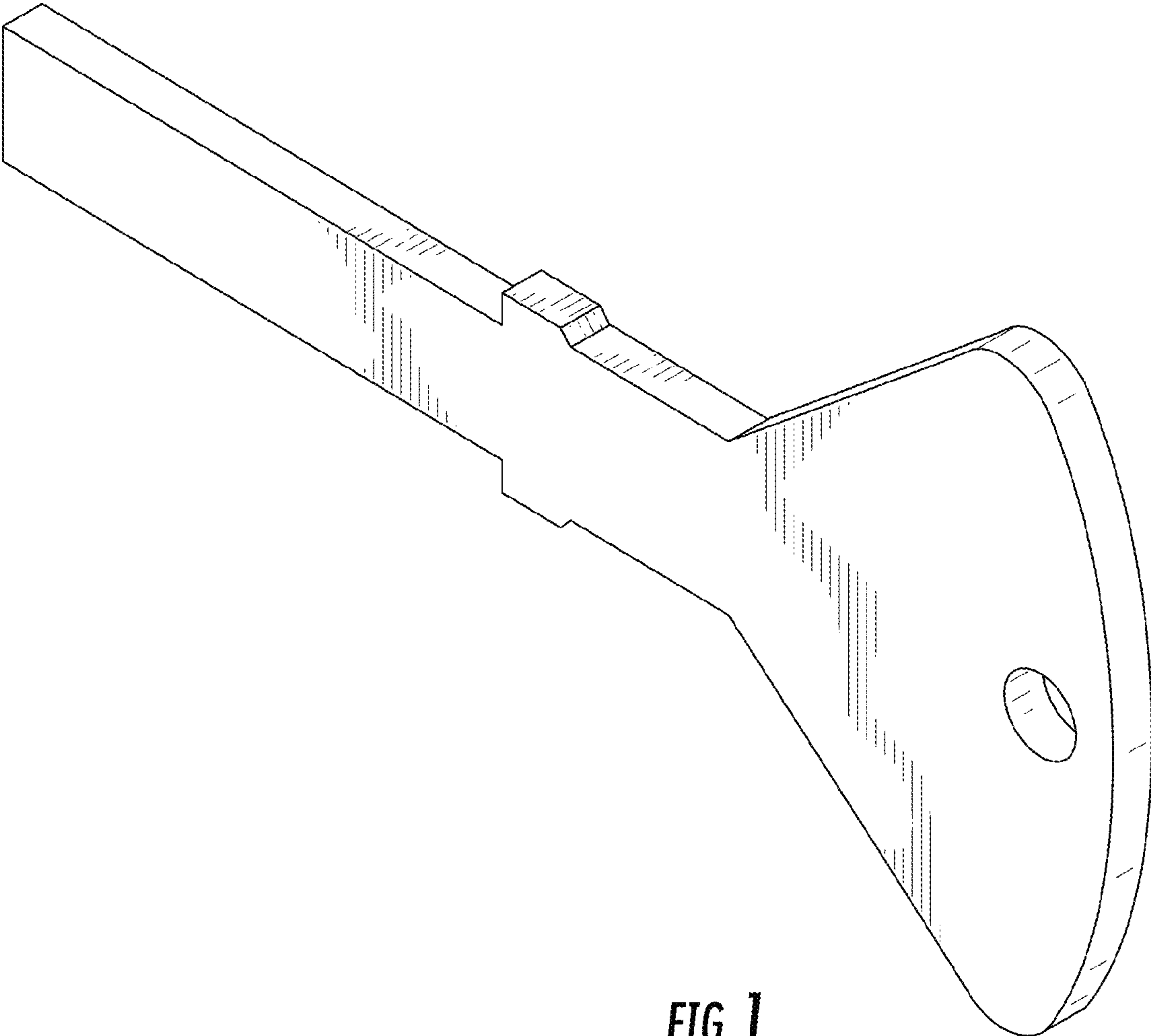


FIG. 1

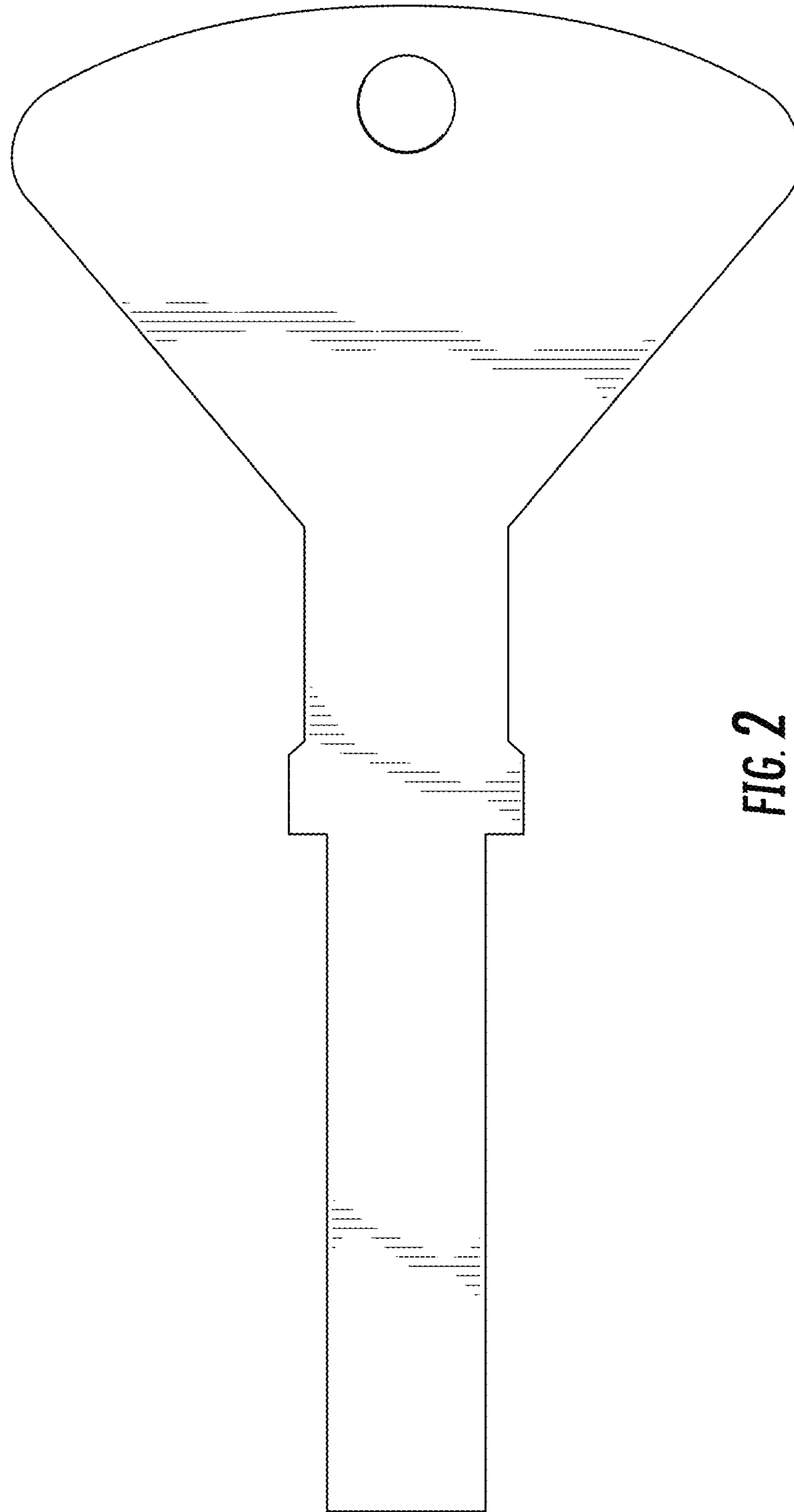


FIG. 2

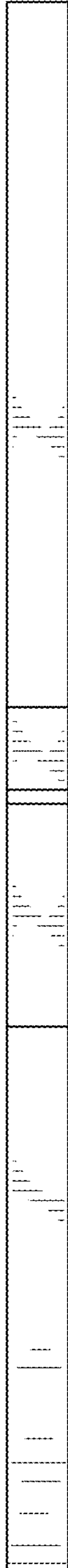


FIG. 3

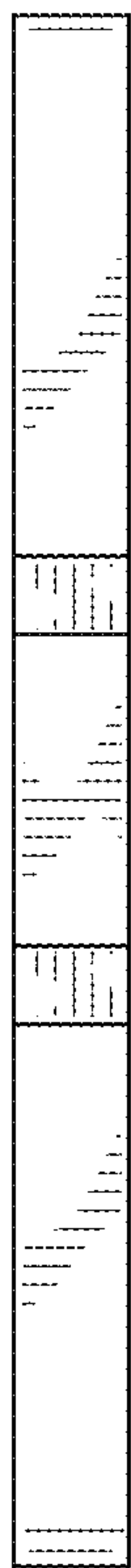


FIG. 4



FIG. 5