



US00D680414S

(12) **United States Design Patent**
Han

(10) **Patent No.:** **US D680,414 S**

(45) **Date of Patent:** **** Apr. 23, 2013**

(54) **CABINET HANDLE**

(75) Inventor: **Kukjin Han**, High Point, NC (US)

(73) Assignee: **Hardware Resources, Inc.**, Bossier City, LA (US)

(**) Term: **14 Years**

(21) Appl. No.: **29/417,230**

(22) Filed: **Mar. 30, 2012**

(51) **LOC (9) Cl.** **08-06**

(52) **U.S. Cl.**
USPC **D8/317**

(58) **Field of Classification Search** D8/300,
D8/315, 316, 317, 318, 319, DIG. 1; D99/11;
D6/549; D7/394; 16/110.1, 412, 414, 415,
16/417, 441, 443; 292/336.3
See application file for complete search history.

(56) **References Cited**

U.S. PATENT DOCUMENTS

D194,968 S *	4/1963	Stelma	D8/317
D239,798 S *	5/1976	Vrignaud	D8/316
D399,406 S *	10/1998	Decursu et al.	D8/317
D431,444 S *	10/2000	Short	D8/316

D431,445 S *	10/2000	Short	D8/316
D434,963 S *	12/2000	Short	D8/316
D543,436 S *	5/2007	Ricereto	D8/316
D587,982 S *	3/2009	Mattson et al.	D8/317
D588,897 S *	3/2009	Ricereto	D8/317
D597,396 S *	8/2009	Menzies	D8/315
D649,005 S *	11/2011	Roe et al.	D8/316
D664,022 S *	7/2012	Gilbert	D8/316

* cited by examiner

Primary Examiner — Paula Greene

(74) *Attorney, Agent, or Firm* — Schultz & Associates, P.C.

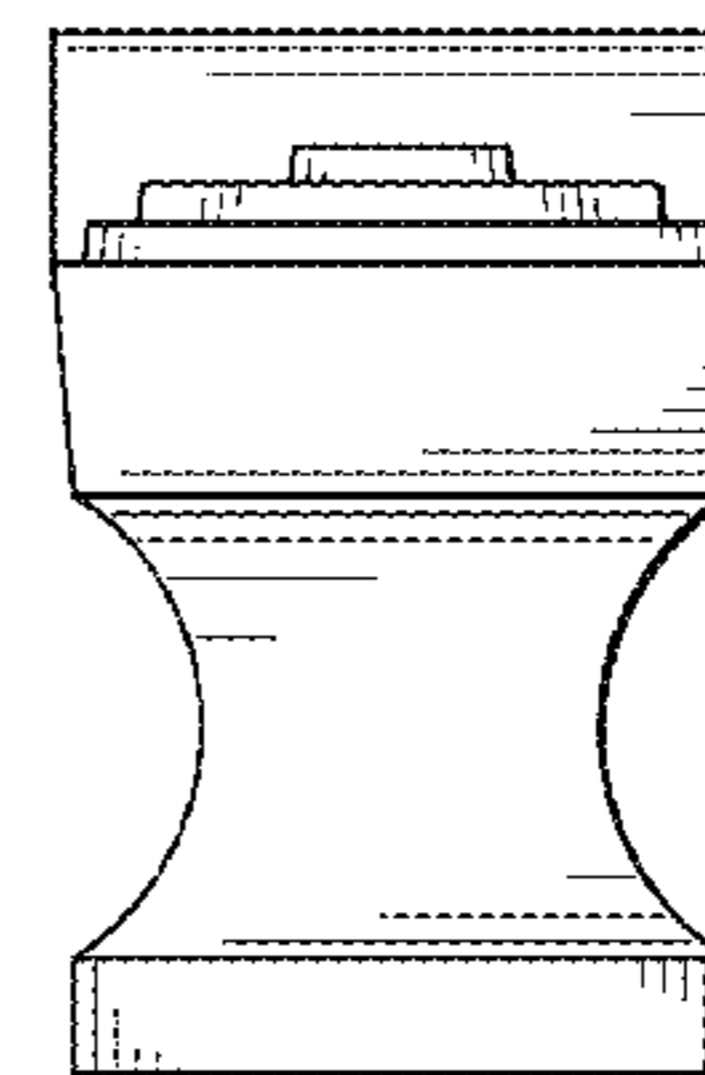
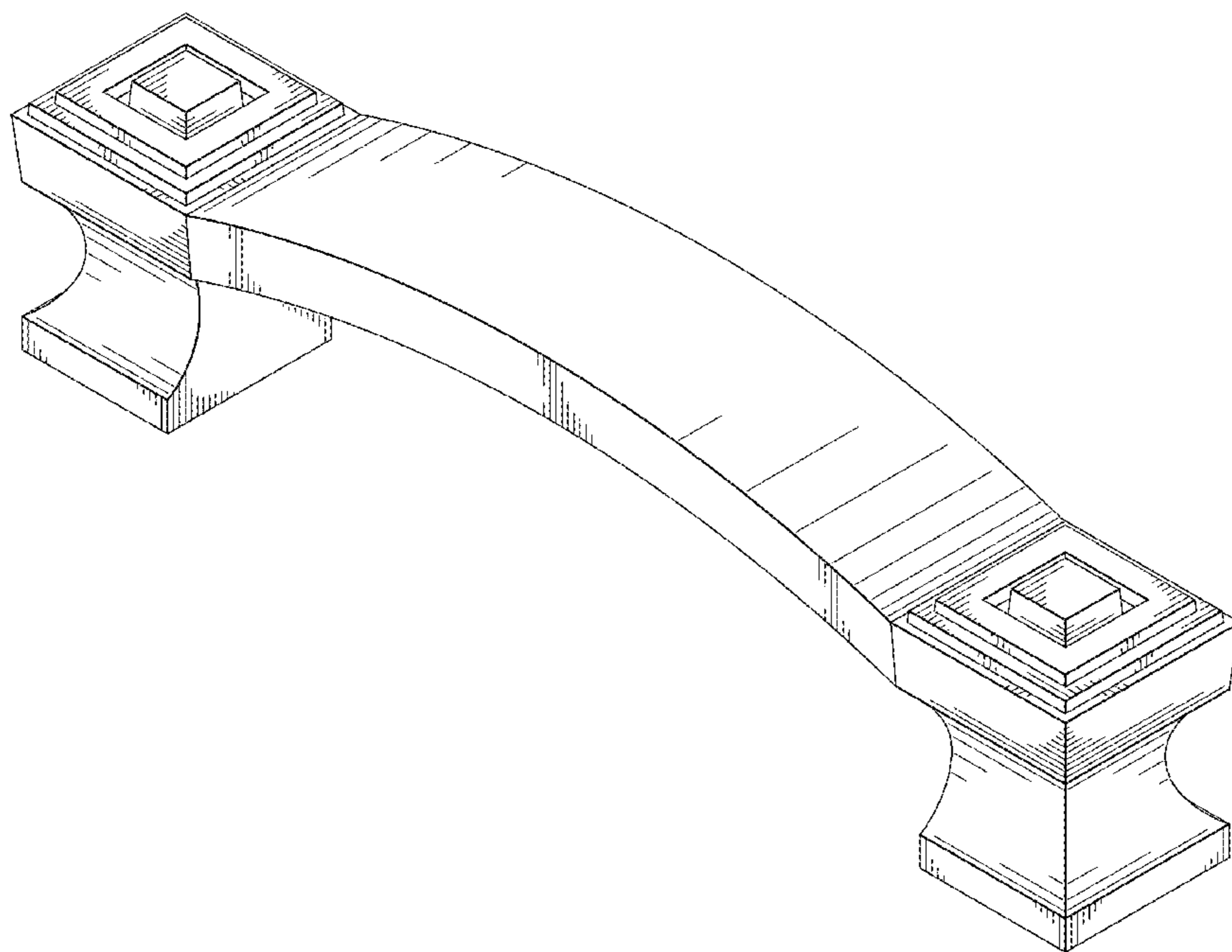
(57) **CLAIM**

The ornamental design for a cabinet handle, as shown and described.

DESCRIPTION

FIG. 1 is a perspective view of a cabinet handle showing my new design;
FIG. 2 is a side elevation view thereof;
FIG. 3 is an opposite side elevational view of FIG. 1;
FIG. 4 is a top plan view thereof; and,
FIG. 5 is a bottom plan view thereof.
The broken lines shown represent unclaimed subject matter and form no part of the claimed design.

1 Claim, 3 Drawing Sheets



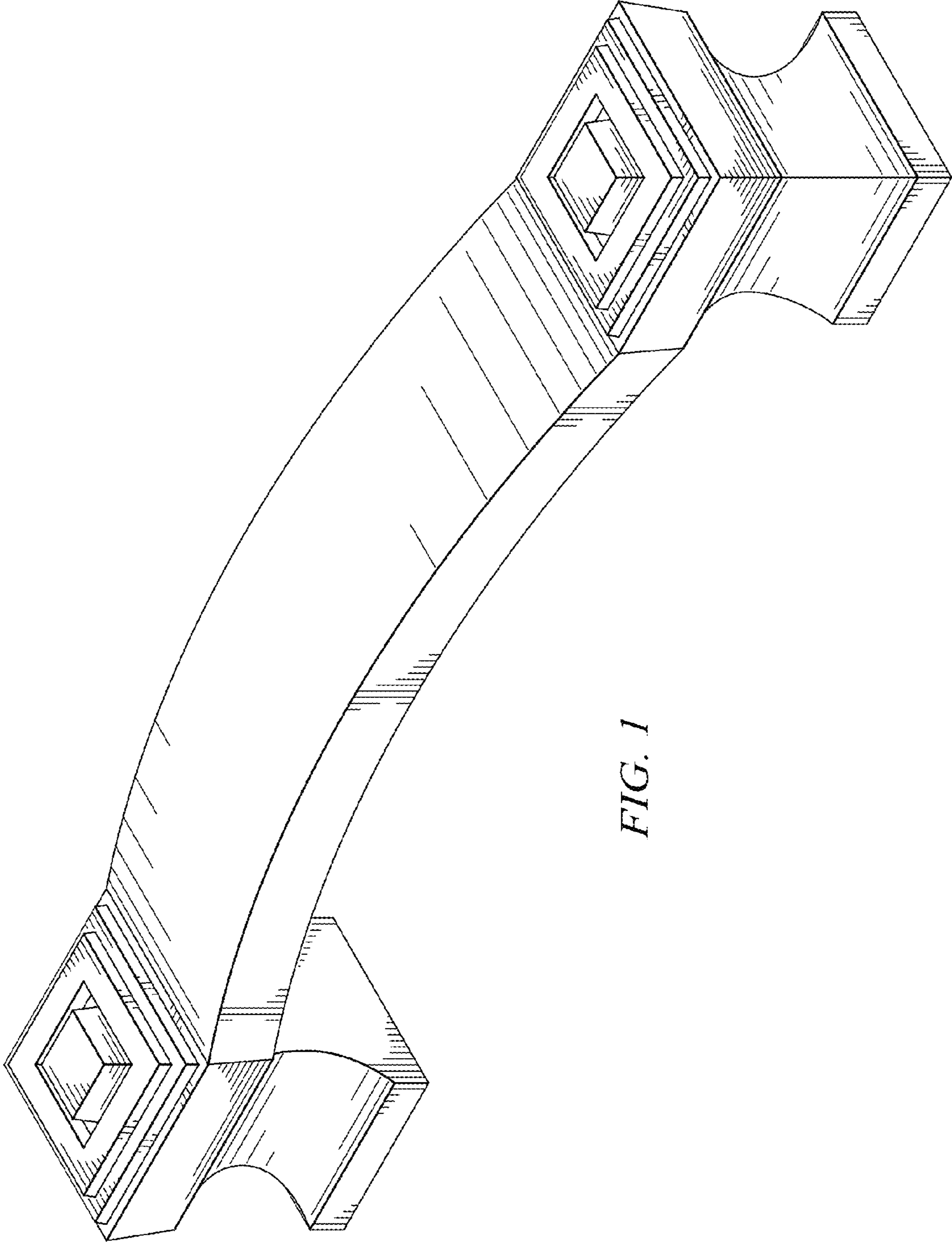


FIG. 1

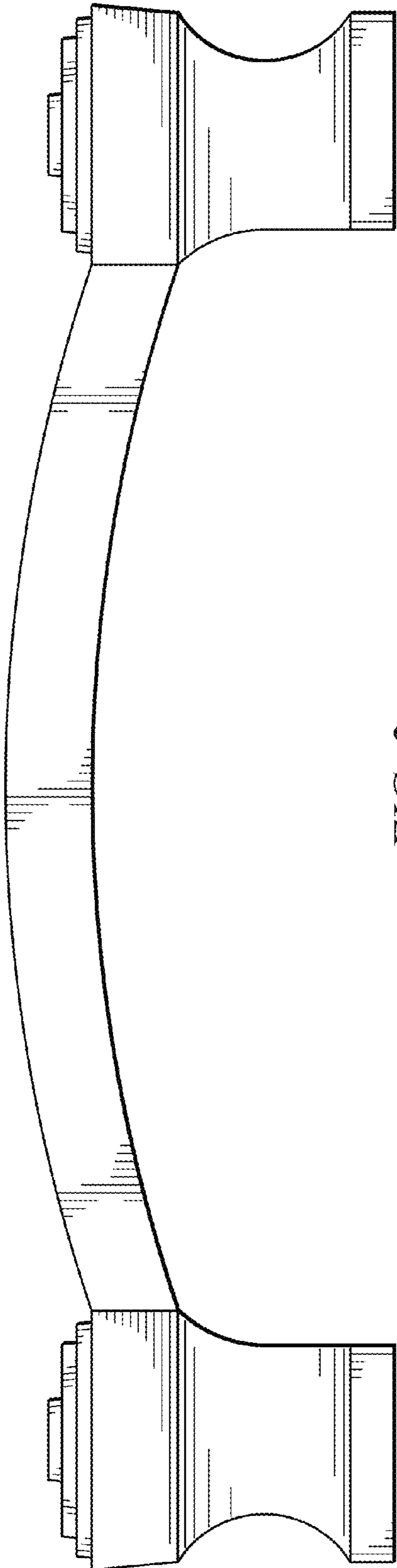


FIG. 2

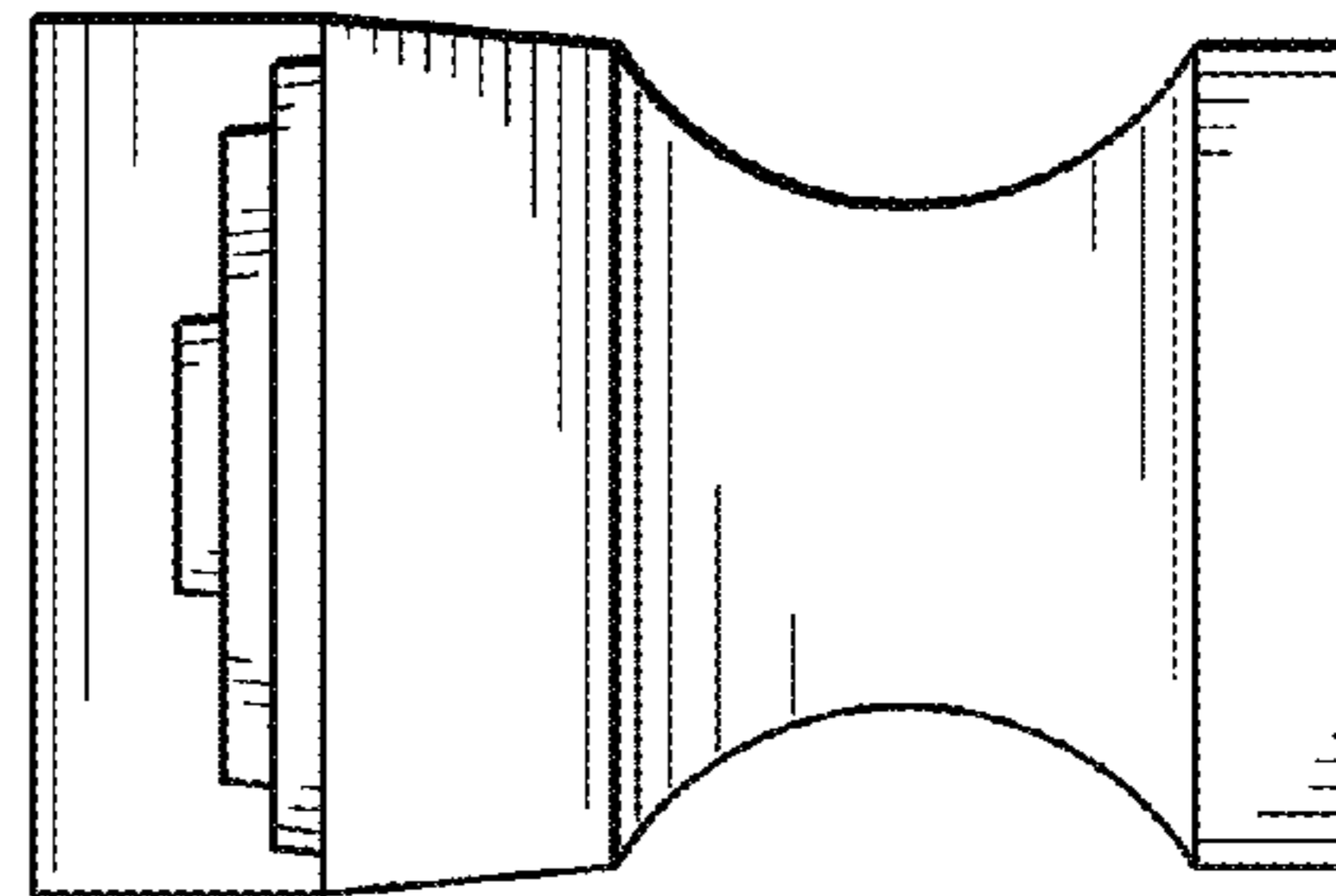


FIG. 3

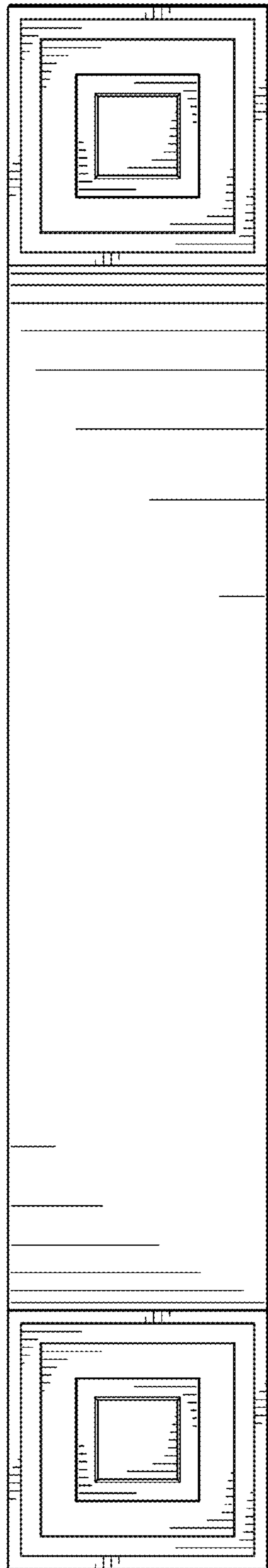


FIG. 4

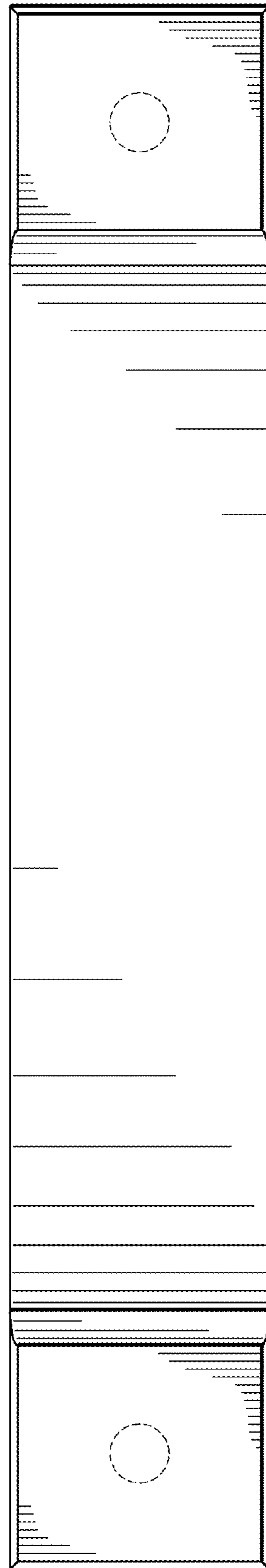


FIG. 5