



US00D680413S

(12) **United States Design Patent**  
**Ramsland et al.**

(10) **Patent No.:** **US D680,413 S**

(45) **Date of Patent:** **\*\* Apr. 23, 2013**

(54) **CABINET HANDLE**

(75) Inventors: **Warren Ramsland**, Hillsborough, NJ  
(US); **Scott Thor**, Grand Rapids, MI  
(US)

(73) Assignee: **Top Knobs USA, Inc.**, Hillsborough, NJ  
(US)

(\*\*) Term: **14 Years**

(21) Appl. No.: **29/417,224**

(22) Filed: **Mar. 30, 2012**

(51) **LOC (9) Cl.** ..... **08-06**

(52) **U.S. Cl.**  
USPC ..... **D8/316**

(58) **Field of Classification Search** ..... D8/300,  
D8/315, 316, 317, 318, 319, 320, DIG. 1;  
D99/11; D7/394; D6/549; 16/110.1, 412,  
16/414, 415, 417, 441, 443; 292/336.3  
See application file for complete search history.

(56) **References Cited**

**U.S. PATENT DOCUMENTS**

D74,422	S	*	2/1928	Frolking	.....	D6/549
2,498,139	A	*	2/1950	Simjian	.....	248/467
D190,266	S	*	5/1961	Watt	.....	D8/316
D227,072	S	*	6/1973	Palson	.....	D8/318
D227,437	S	*	6/1973	Pruitt	.....	D8/305

D272,800	S	*	2/1984	Pawlow	.....	D8/318
D274,035	S	*	5/1984	Pawlow	.....	D8/316
D274,123	S	*	6/1984	Tegner	.....	D8/316
D299,110	S	*	12/1988	Jans	.....	D8/316
D299,111	S	*	12/1988	Jans	.....	D8/316
D337,507	S	*	7/1993	Jans	.....	D8/316
D438,776	S	*	3/2001	Boscherini	.....	D8/316
D455,592	S	*	4/2002	Ou-Young	.....	D6/549
D470,742	S	*	2/2003	Fields	.....	D8/316
D492,530	S	*	7/2004	Chen	.....	D6/549
D504,804	S	*	5/2005	Chen	.....	D8/316
D564,336	S	*	3/2008	McConnell	.....	D8/316

\* cited by examiner

*Primary Examiner* — Paula Greene

(74) *Attorney, Agent, or Firm* — Schultz & Associates, P.C.

(57) **CLAIM**

The ornamental design for a cabinet handle, as shown and described.

**DESCRIPTION**

FIG. 1 is a perspective view of a cabinet handle showing my new design;

FIG. 2 is a side elevation view thereof;

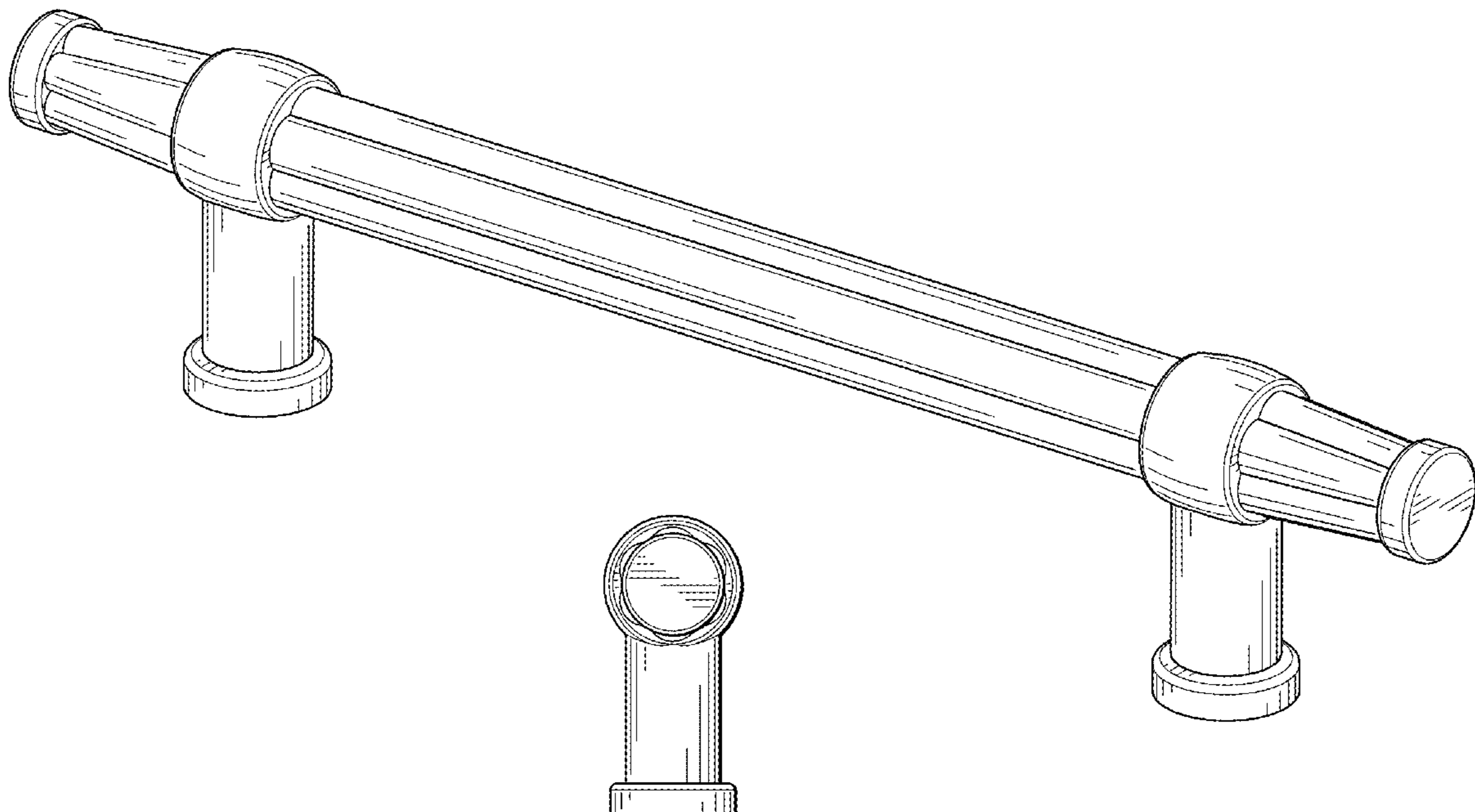
FIG. 3 is an opposite side elevational view of FIG. 1;

FIG. 4 is a top plan view thereof; and,

FIG. 5 is a bottom plan view thereof.

The broken lines shown represent unclaimed subject matter and form no part of the claimed design.

**1 Claim, 3 Drawing Sheets**



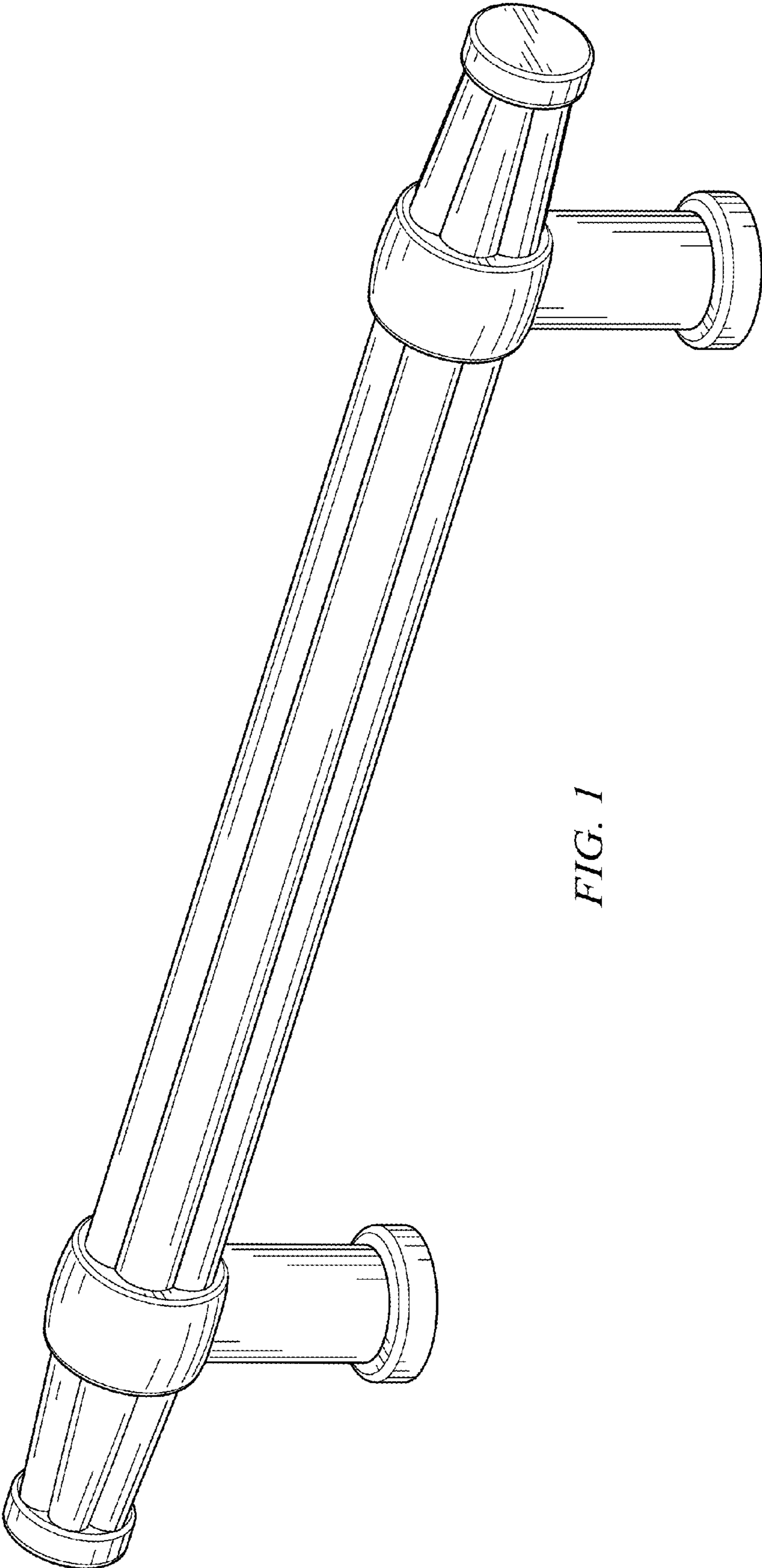


FIG. 1

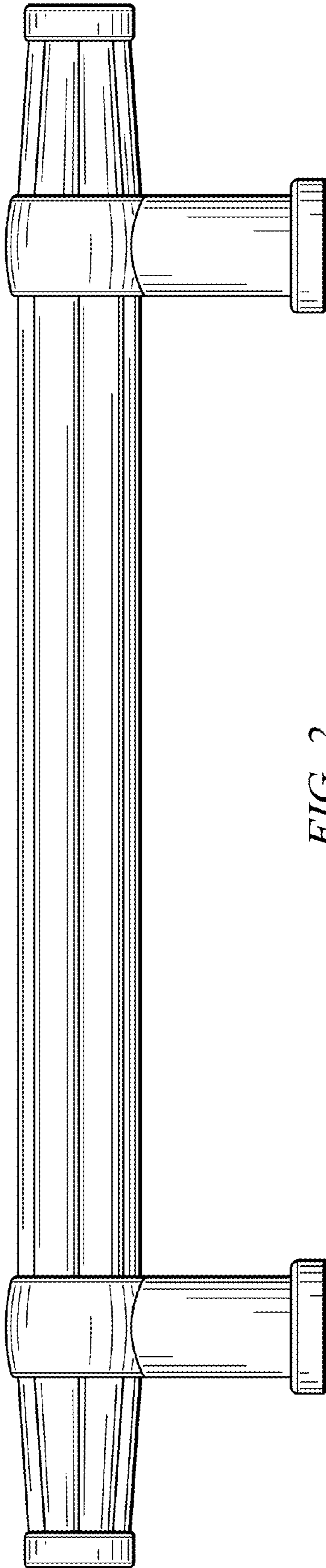


FIG. 2

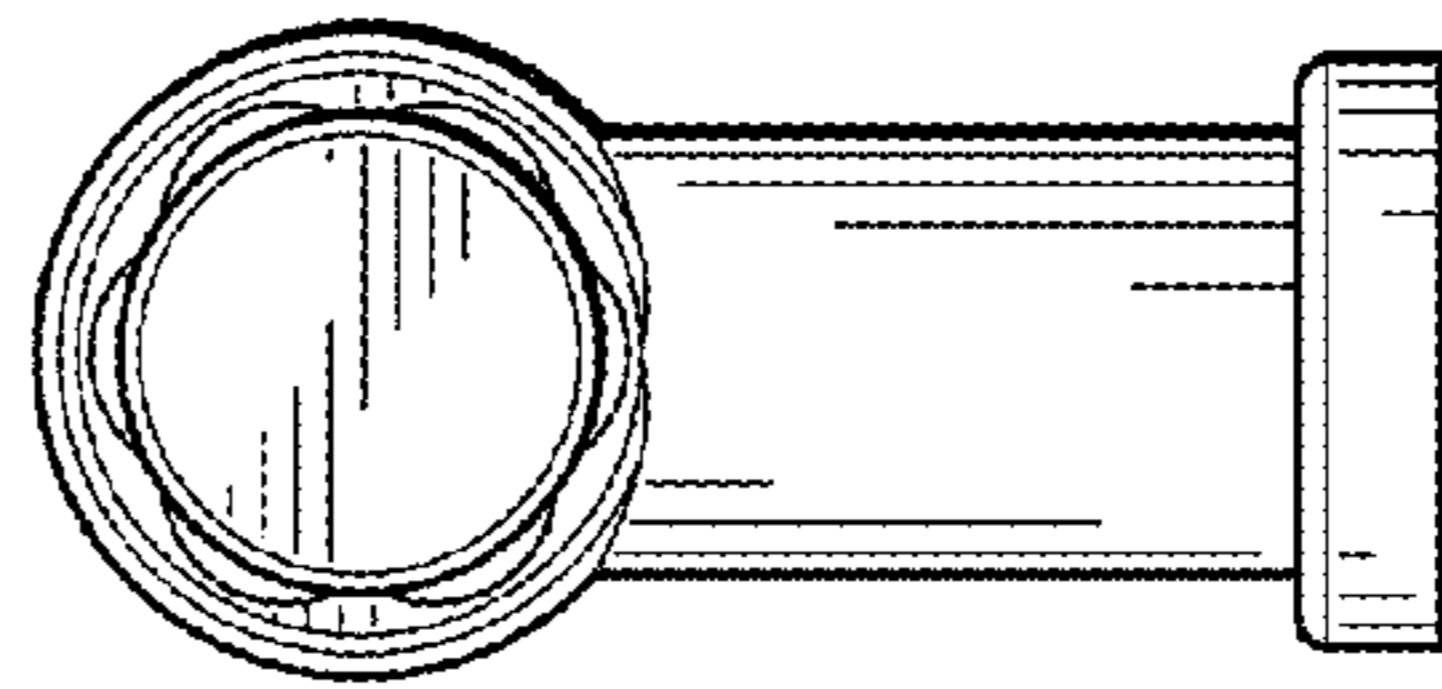


FIG. 3

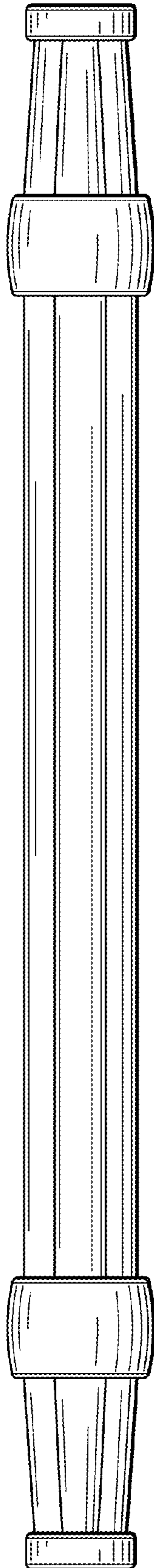


FIG. 4

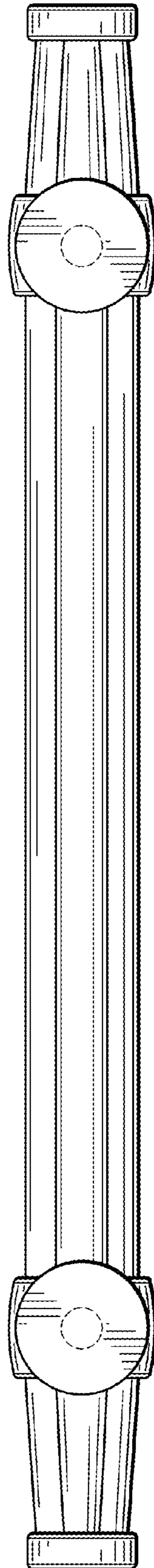


FIG. 5