



US00D680409S

(12) **United States Design Patent**  
**Han**

(10) **Patent No.:** **US D680,409 S**

(45) **Date of Patent:** **\*\* \*Apr. 23, 2013**

(54) **CABINET KNOB**

(75) Inventor: **Kukjin Han**, High Point, NC (US)

(73) Assignee: **Hardware Resources, Inc.**, Bossier City, LA (US)

(\*) Notice: This patent is subject to a terminal disclaimer.

(\*\*) Term: **14 Years**

(21) Appl. No.: **29/417,234**

(22) Filed: **Mar. 30, 2012**

(51) **LOC (9) Cl.** ..... **08-06**

(52) **U.S. Cl.**  
USPC ..... **D8/307**

(58) **Field of Classification Search** ..... D8/300,  
D8/307, 310, DIG. 1; D23/242, 250, 254;  
16/110.1, 412, 414, 417, 422, 441; 292/347,  
292/348

See application file for complete search history.

(56) **References Cited**

**U.S. PATENT DOCUMENTS**

D152,901 S \* 3/1949 Petersen ..... D8/307  
D224,225 S \* 7/1972 Doman ..... D23/250

D290,159 S \* 6/1987 Jans ..... D23/242  
D327,530 S \* 6/1992 Rawald ..... D23/250  
D361,492 S \* 8/1995 Chieda ..... D8/310  
D429,455 S \* 8/2000 Burns et al. .... D8/310  
D429,991 S \* 8/2000 Short ..... D8/307  
D511,290 S \* 11/2005 Coudurier ..... D8/310  
D568,713 S \* 5/2008 Ricereto ..... D8/305  
D579,303 S \* 10/2008 Schneider ..... D8/307  
D598,267 S \* 8/2009 Menzies ..... D8/307  
D606,381 S \* 12/2009 Menzies ..... D8/307  
D649,856 S \* 12/2011 Mattson ..... D8/307

\* cited by examiner

*Primary Examiner* — Paula Greene

(74) *Attorney, Agent, or Firm* — Schultz & Associates, P.C.

(57) **CLAIM**

The ornamental design for a cabinet knob, as shown and described.

**DESCRIPTION**

FIG. 1 is a perspective view of a cabinet knob showing my new design;

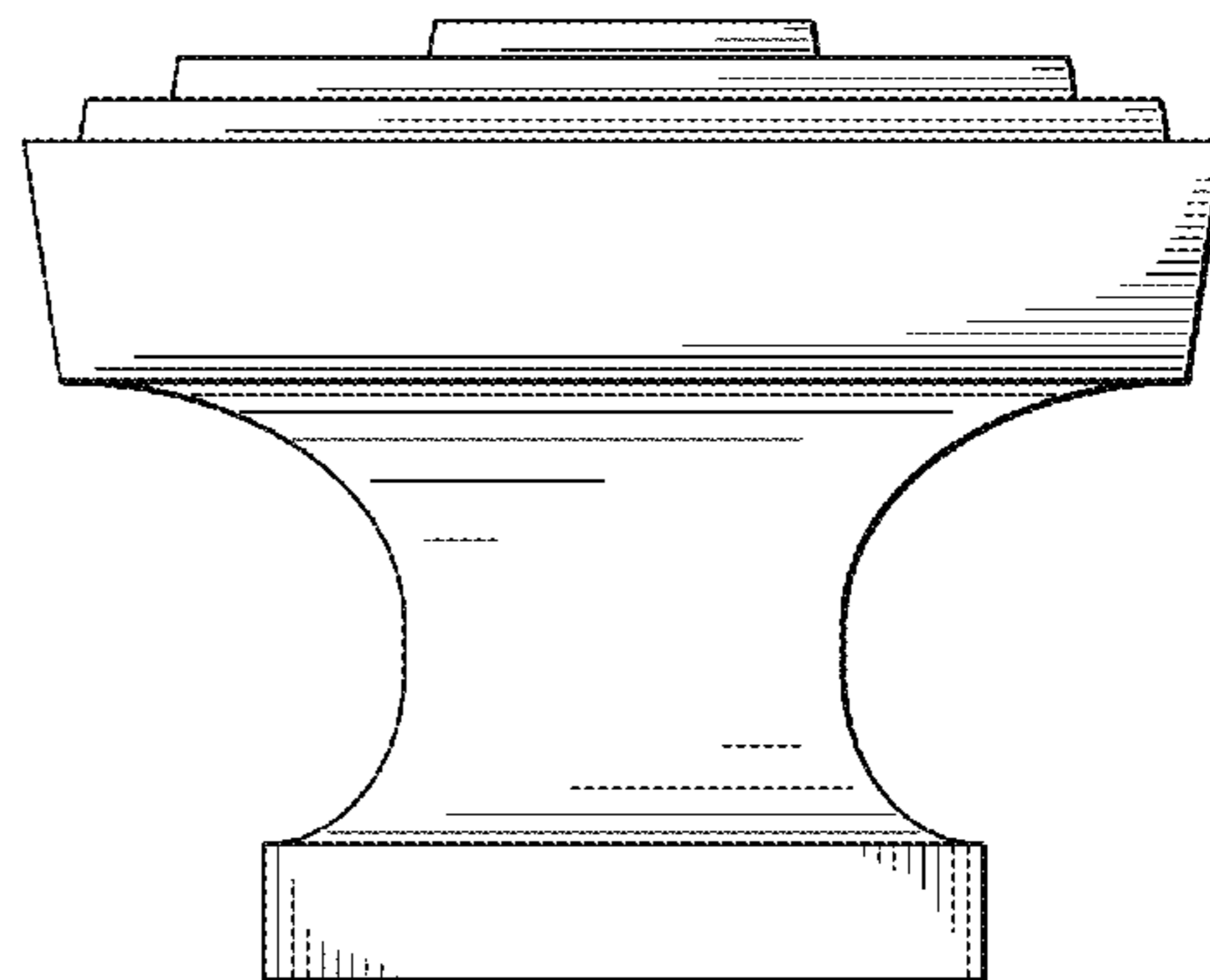
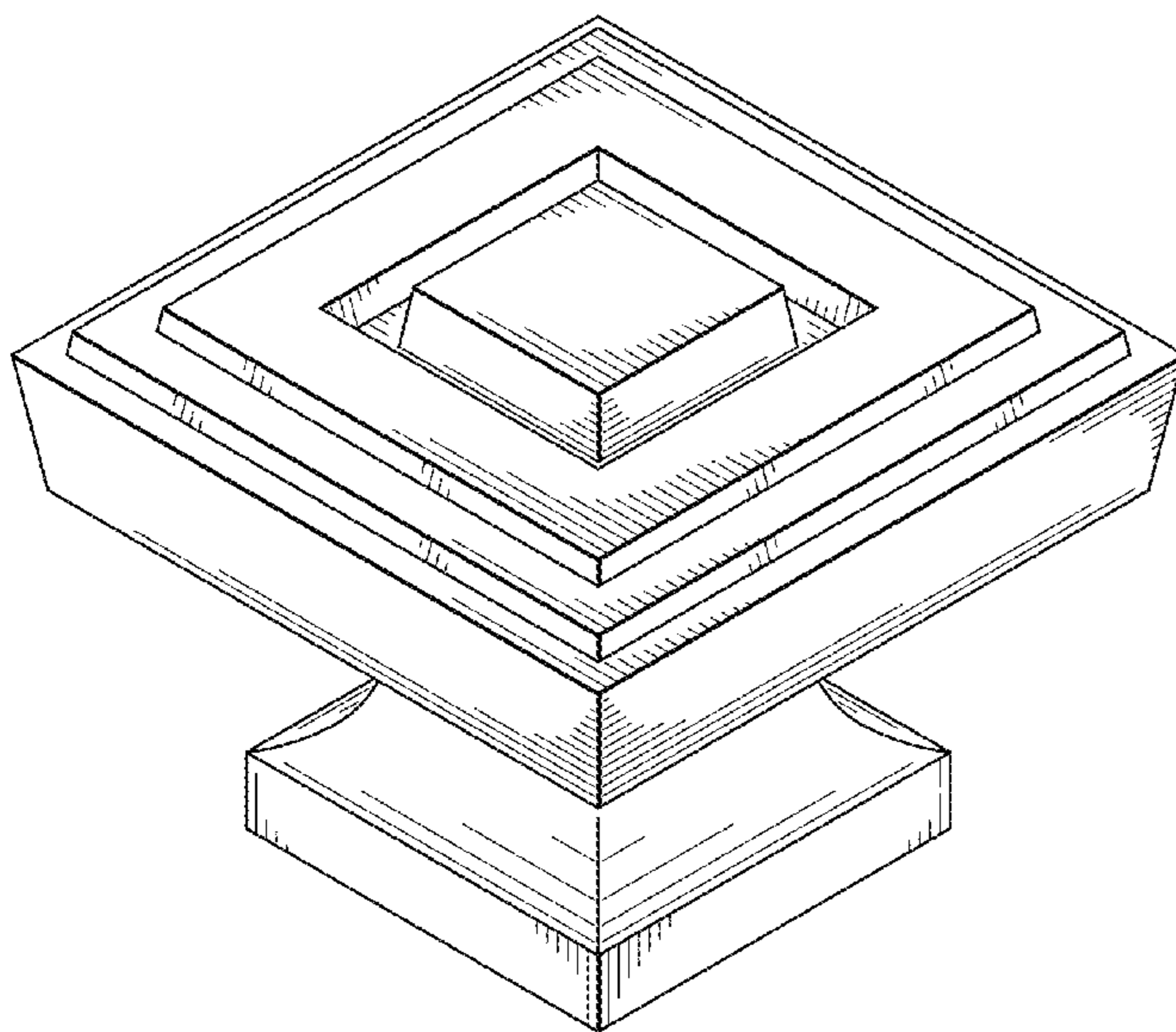
FIG. 2 is a side elevation view thereof

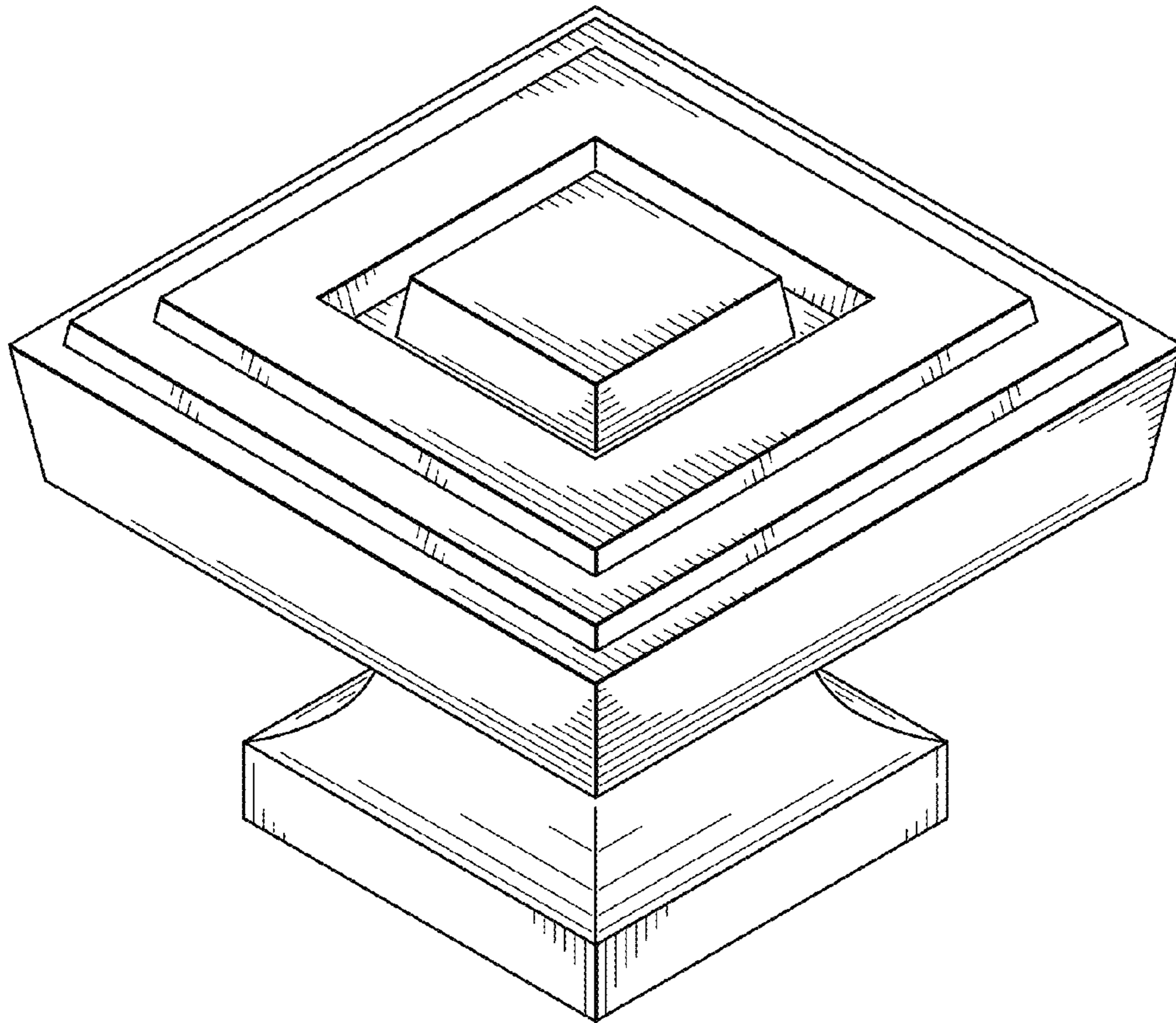
FIG. 3 is a top plan view thereof; and,

FIG. 4 is a bottom plan view thereof.

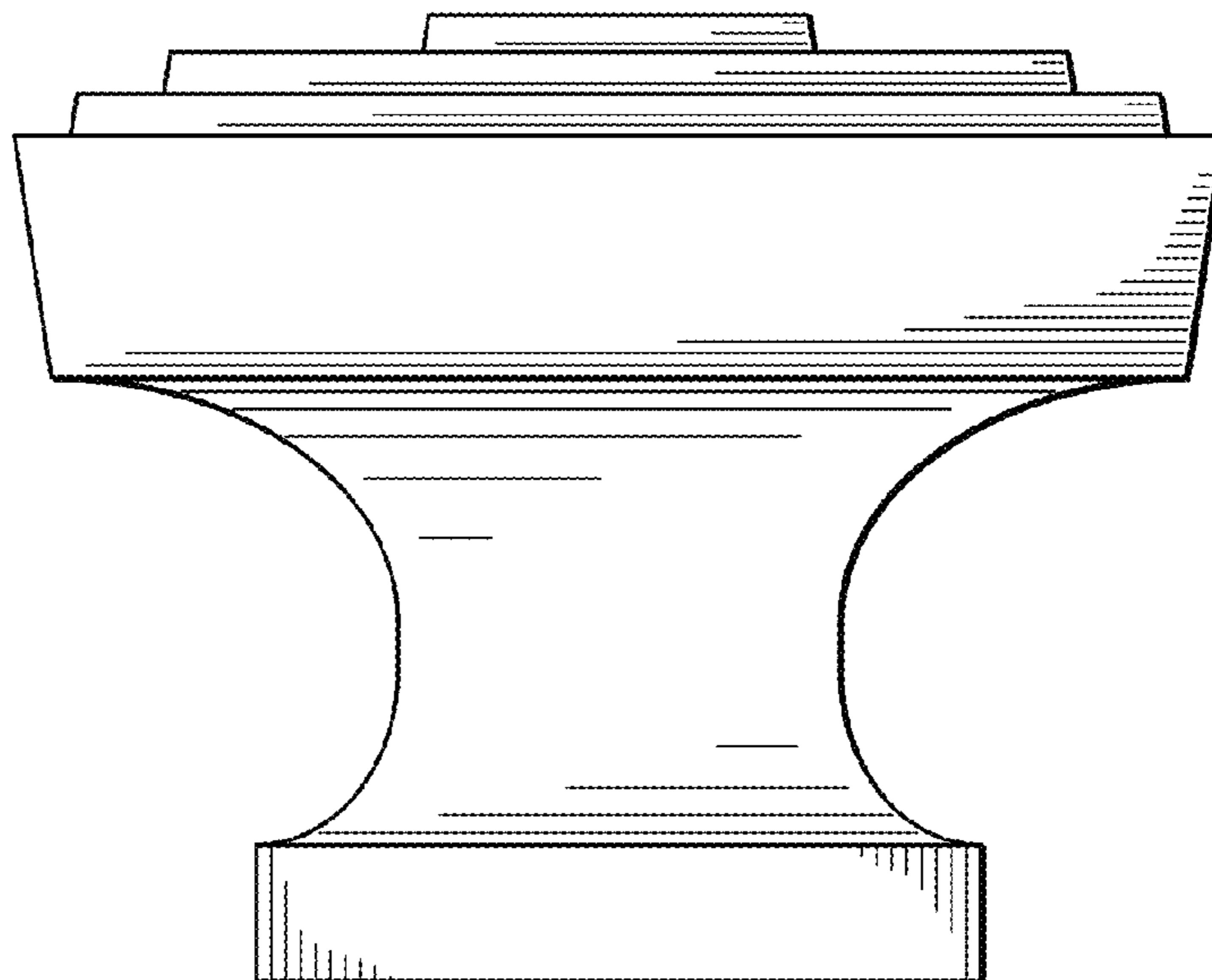
The broken lines shown represent unclaimed subject matter and form no part of the claimed design.

**1 Claim, 2 Drawing Sheets**





*FIG. 1*



*FIG. 2*

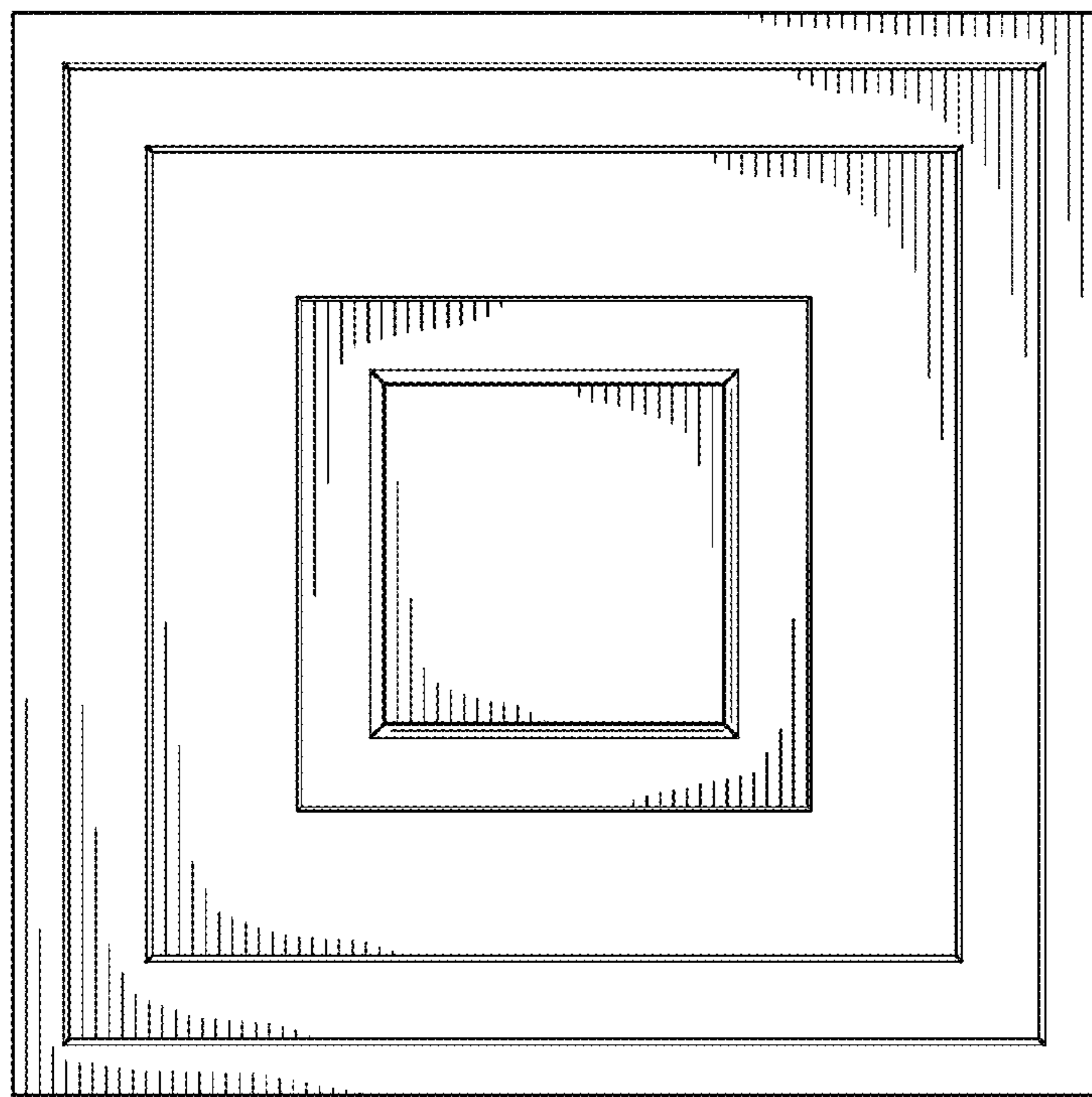


FIG. 3

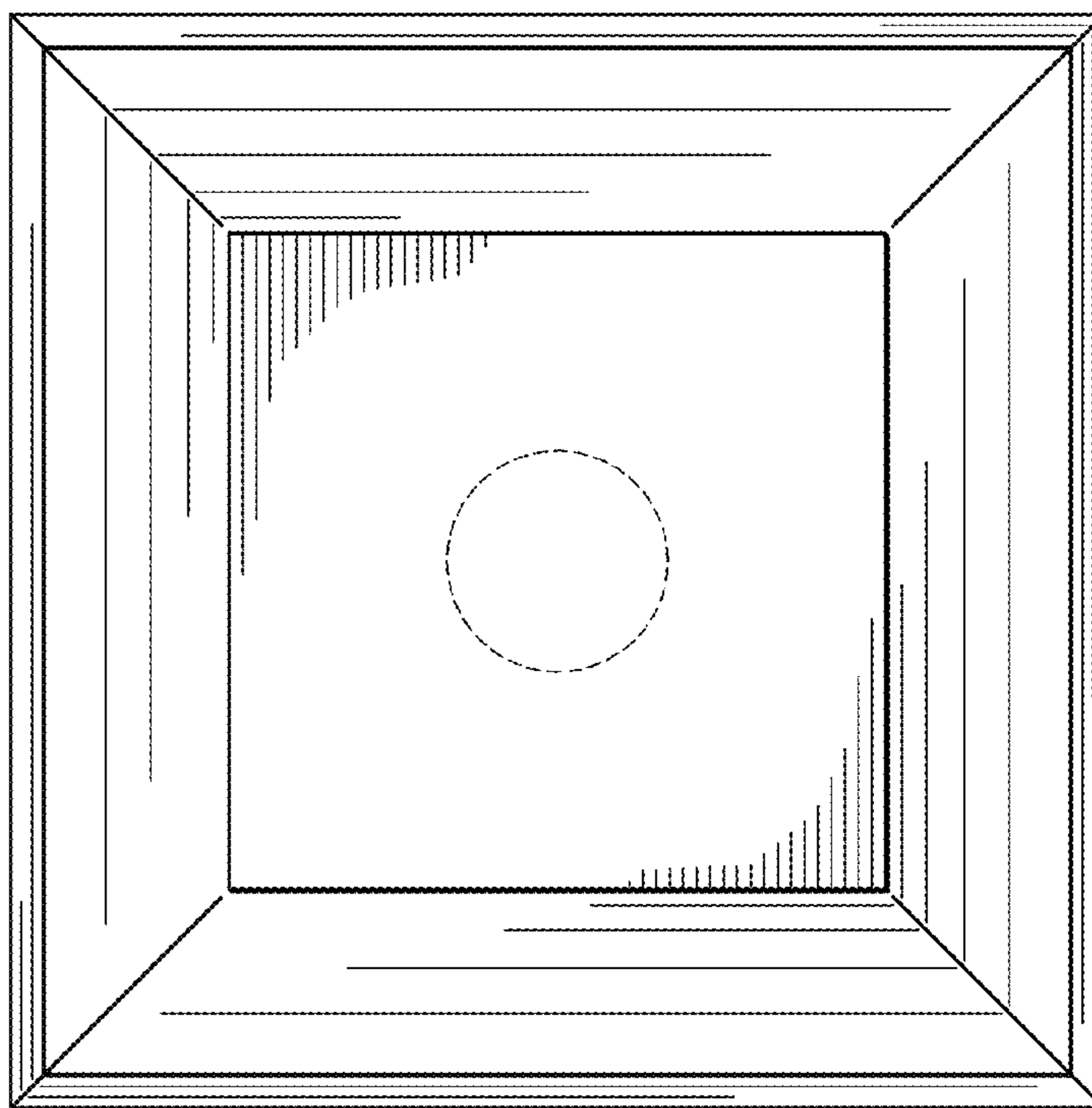


FIG. 4