



US00D680408S

(12) **United States Design Patent**
Han

(10) **Patent No.:** **US D680,408 S**

(45) **Date of Patent:** **** Apr. 23, 2013**

(54) **CABINET KNOB**

(75) Inventor: **Kukjin Han**, High Point, NC (US)

(73) Assignee: **Hardware Resources, Inc.**, Bossier City, LA (US)

(**) Term: **14 Years**

(21) Appl. No.: **29/417,232**

(22) Filed: **Mar. 30, 2012**

(51) **LOC (9) Cl.** **08-06**

(52) **U.S. Cl.**
USPC **D8/307**

(58) **Field of Classification Search** D8/300,
D8/307, 310, DIG. 1; D23/242, 250, 254;
16/110.1, 412, 414, 422, 417, 441; 292/336.3,
292/348

See application file for complete search history.

(56) **References Cited**

U.S. PATENT DOCUMENTS

D152,901 S *	3/1949	Petersen	D8/307
D224,225 S *	7/1972	Doman	D23/250
D290,159 S *	6/1987	Jans	D23/242
D327,530 S *	6/1992	Rawald	D23/250

D361,492 S *	8/1995	Chieda	D8/310
D429,455 S *	8/2000	Burns et al.	D8/310
D429,991 S *	8/2000	Short	D8/307
D511,290 S *	11/2005	Coudurier	D8/310
D568,713 S *	5/2008	Ricereto	D8/305
D579,303 S *	10/2008	Schneider	D8/307
D598,267 S *	8/2009	Menzies	D8/307
D606,381 S *	12/2009	Menzies	D8/307
D649,856 S *	12/2011	Mattson	D8/307

* cited by examiner

Primary Examiner — Paula Greene

(74) *Attorney, Agent, or Firm* — Schultz & Associates, P.C.

(57) **CLAIM**

The ornamental design for a cabinet knob, as shown and described.

DESCRIPTION

FIG. 1 is a perspective view of a cabinet knob showing my new design;

FIG. 2 is a side elevation view thereof;

FIG. 3 is a top plan view thereof; and,

FIG. 4 is a bottom plan view thereof.

The broken lines shown represent unclaimed subject matter and form no part of the claimed design.

1 Claim, 2 Drawing Sheets

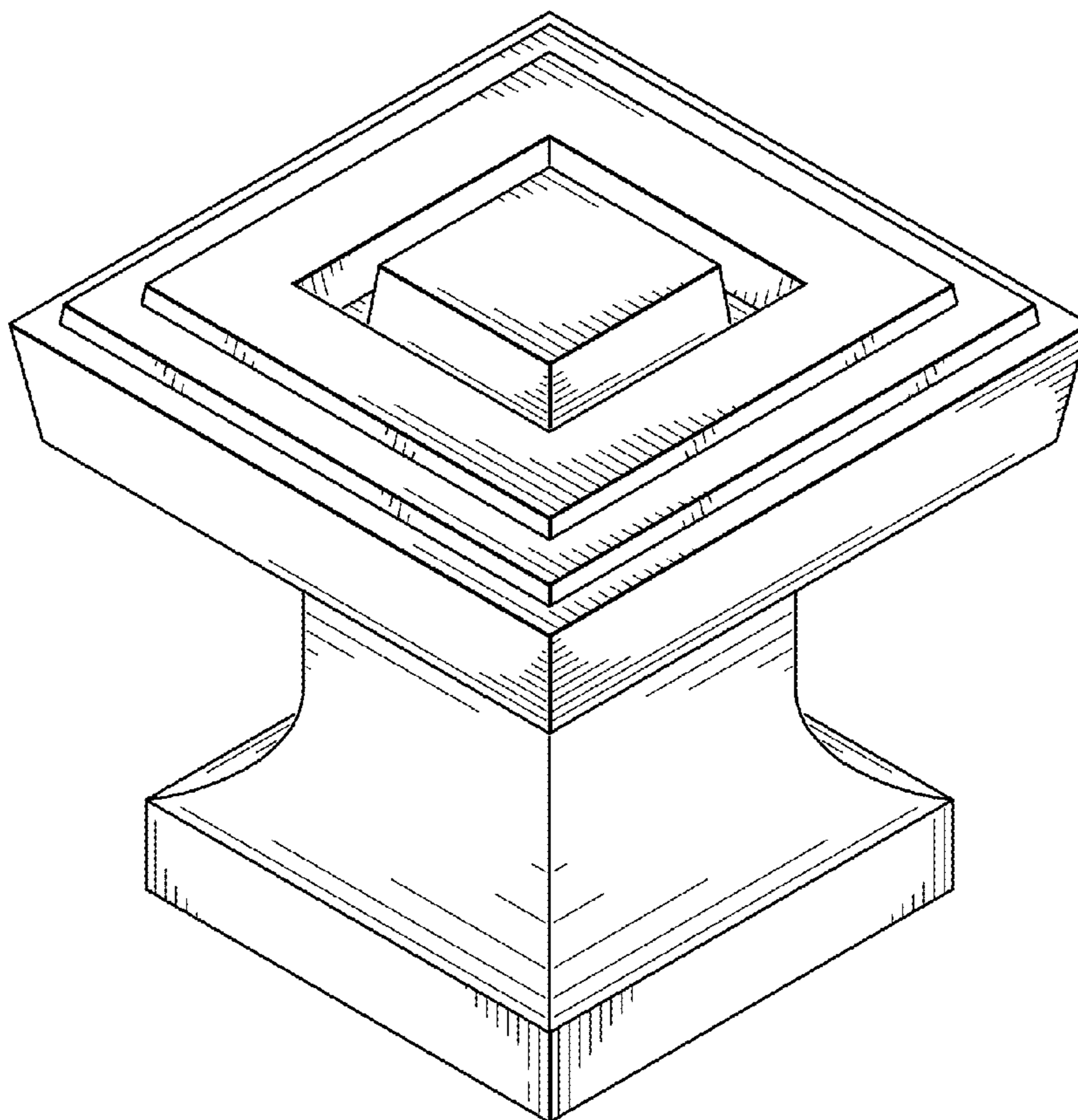


FIG. 1

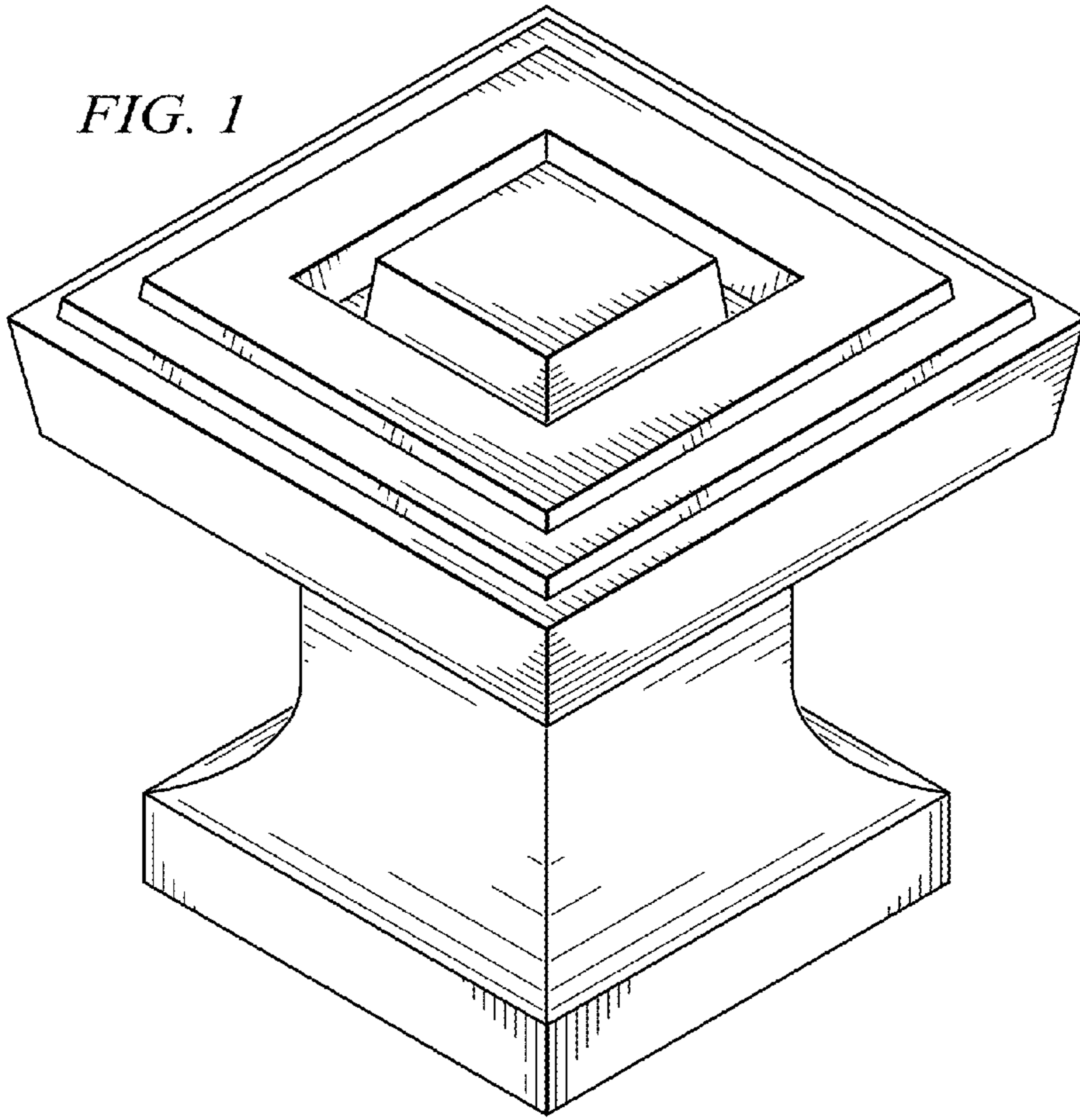
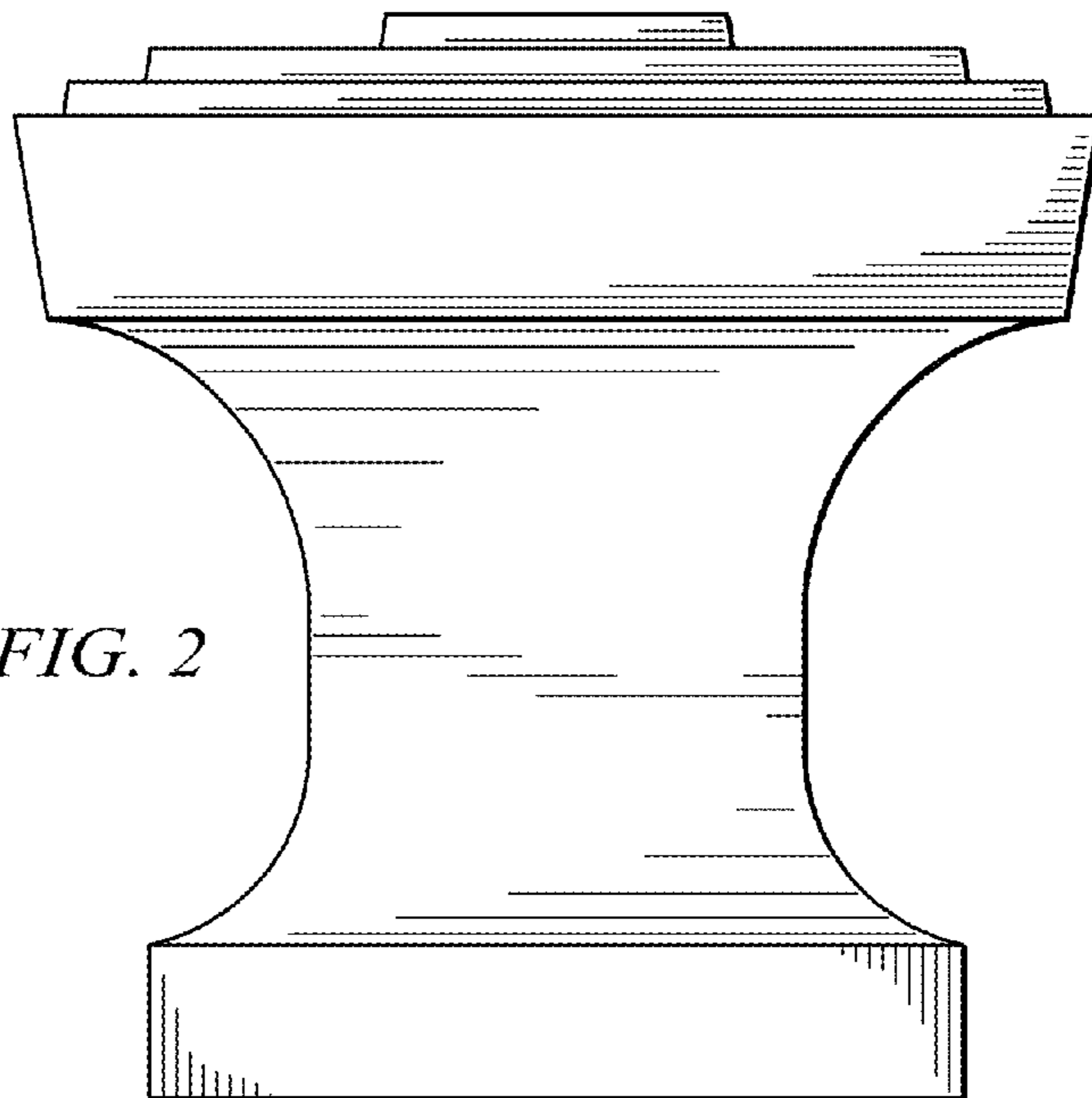


FIG. 2



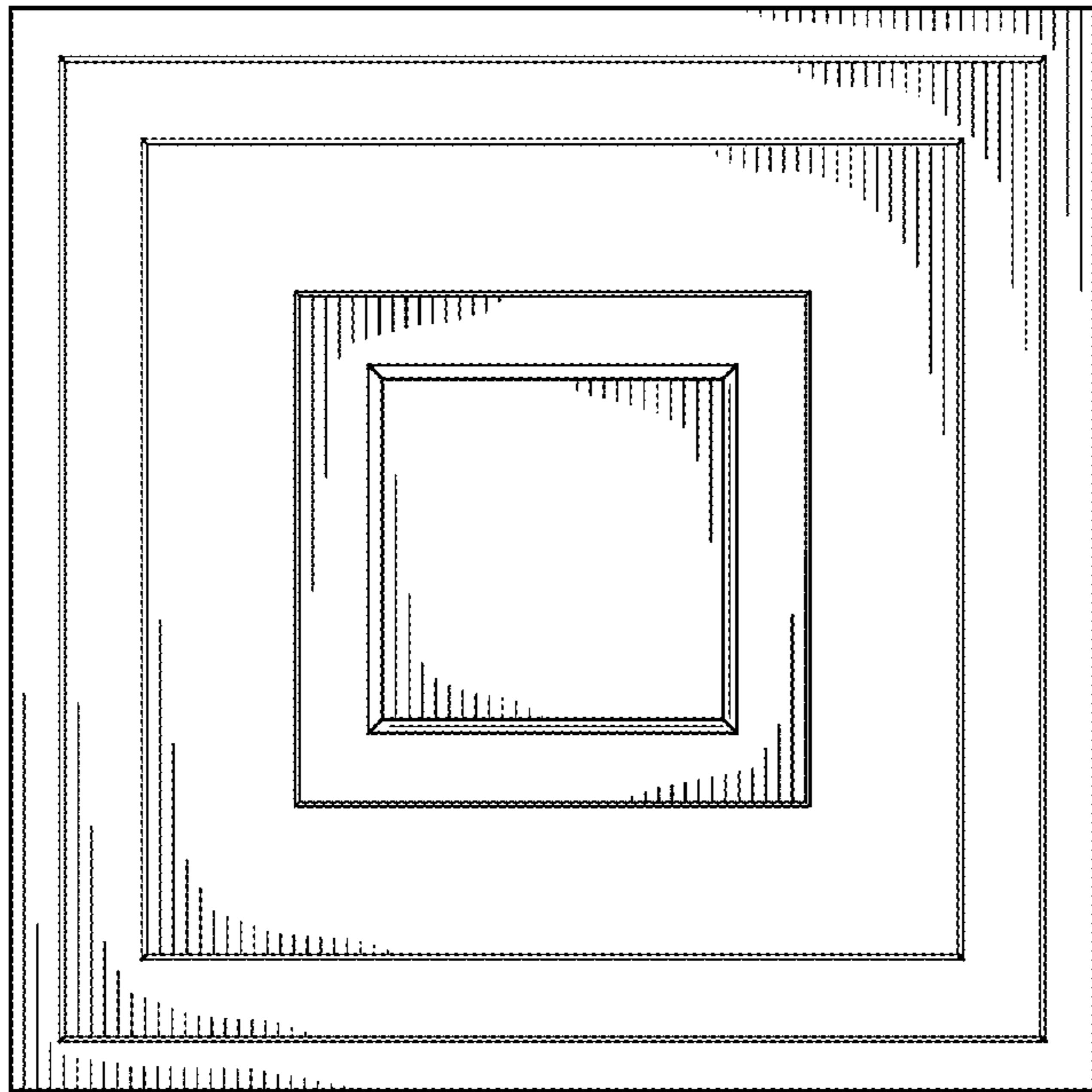


FIG. 3

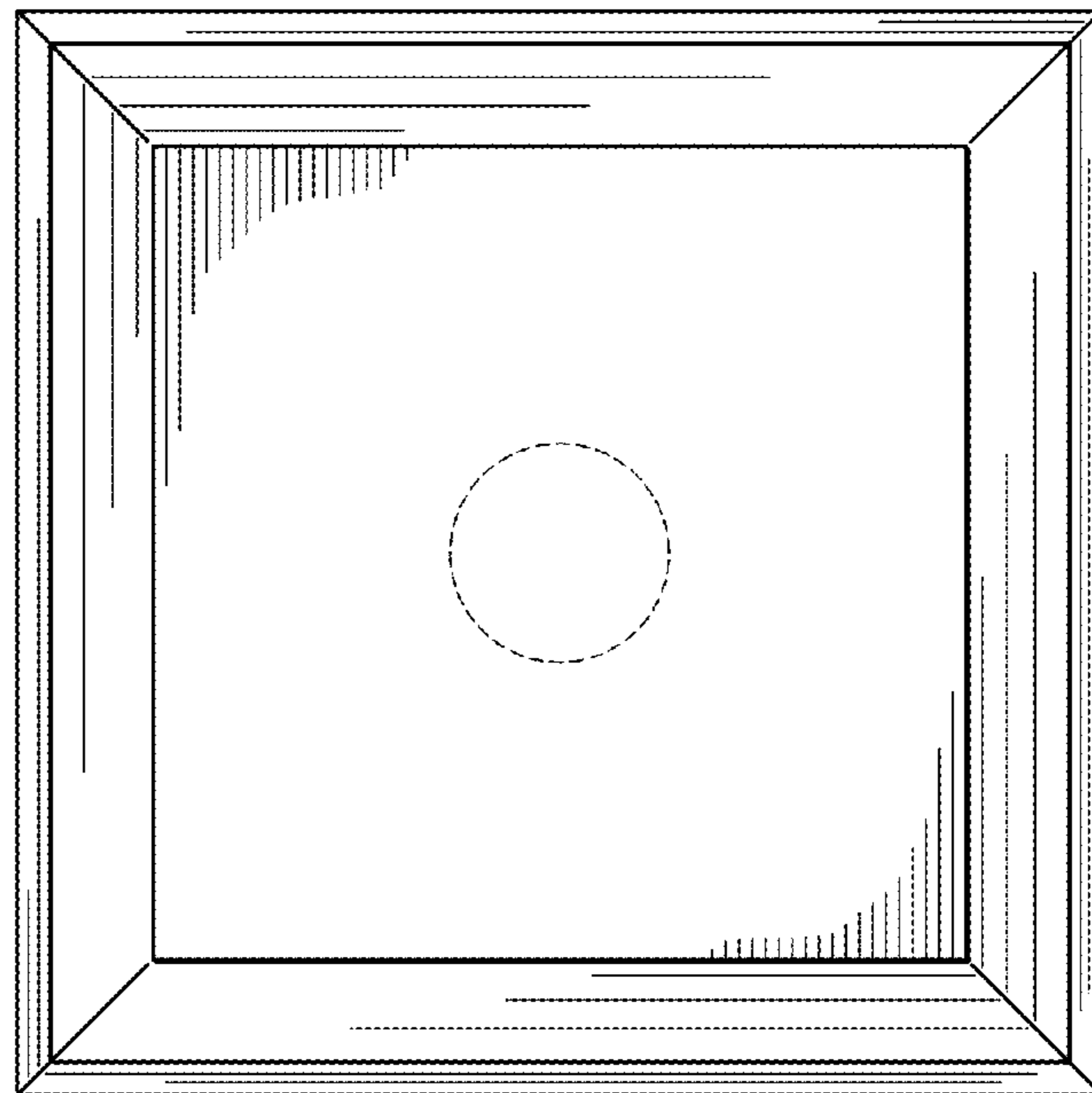


FIG. 4