



US00D680407S

(12) **United States Design Patent**  
**Ramsland et al.**

(10) **Patent No.:** **US D680,407 S**

(45) **Date of Patent:** **\*\* Apr. 23, 2013**

(54) **CABINET KNOB**

(75) Inventors: **Warren Ramsland**, Hillsborough, NJ  
(US); **Scott Thor**, Grand Rapids, MI  
(US)

(73) Assignee: **Top Knobs USA, Inc.**, Hillsborough, NJ  
(US)

(\*\*) Term: **14 Years**

(21) Appl. No.: **29/417,225**

(22) Filed: **Mar. 30, 2012**

(51) **LOC (9) Cl.** ..... **08-06**

(52) **U.S. Cl.**  
USPC ..... **D8/307**

(58) **Field of Classification Search** ..... D8/300,  
D8/307, 310, DIG. 1; D23/242, 250, 254;  
16/110.1, 412, 414, 417, 422, 441; D6/524,  
D6/546; 292/347, 348, 336.3

See application file for complete search history.

(56) **References Cited**

**U.S. PATENT DOCUMENTS**

D51,961 S *	4/1918	Healey	.....	D8/307
D64,095 S *	2/1924	Yates	.....	D8/307
D65,142 S *	7/1924	Roth	.....	D8/307
2,068,922 A *	1/1937	Marchand	.....	16/417
D322,839 S *	12/1991	Kohler, Jr.	.....	D23/254

D335,811 S *	5/1993	Bengtson et al.	.....	D8/310
D398,962 S *	9/1998	Hundley et al.	.....	D23/252
D451,362 S *	12/2001	Dewald et al.	.....	D8/307
D574,214 S *	8/2008	Daniels	.....	D8/307
D575,136 S *	8/2008	Hoernig	.....	D8/316
D613,823 S *	4/2010	Sofield	.....	D23/250
D661,966 S *	6/2012	Han	.....	D8/307
D662,388 S *	6/2012	Han	.....	D8/307

\* cited by examiner

*Primary Examiner* — Paula Greene

(74) *Attorney, Agent, or Firm* — Schultz & Associates, P.C.

(57) **CLAIM**

The ornamental design for a cabinet knob, as shown and described.

**DESCRIPTION**

FIG. 1 is a perspective view of a cabinet knob showing my new design;

FIG. 2 is a side elevation view thereof;

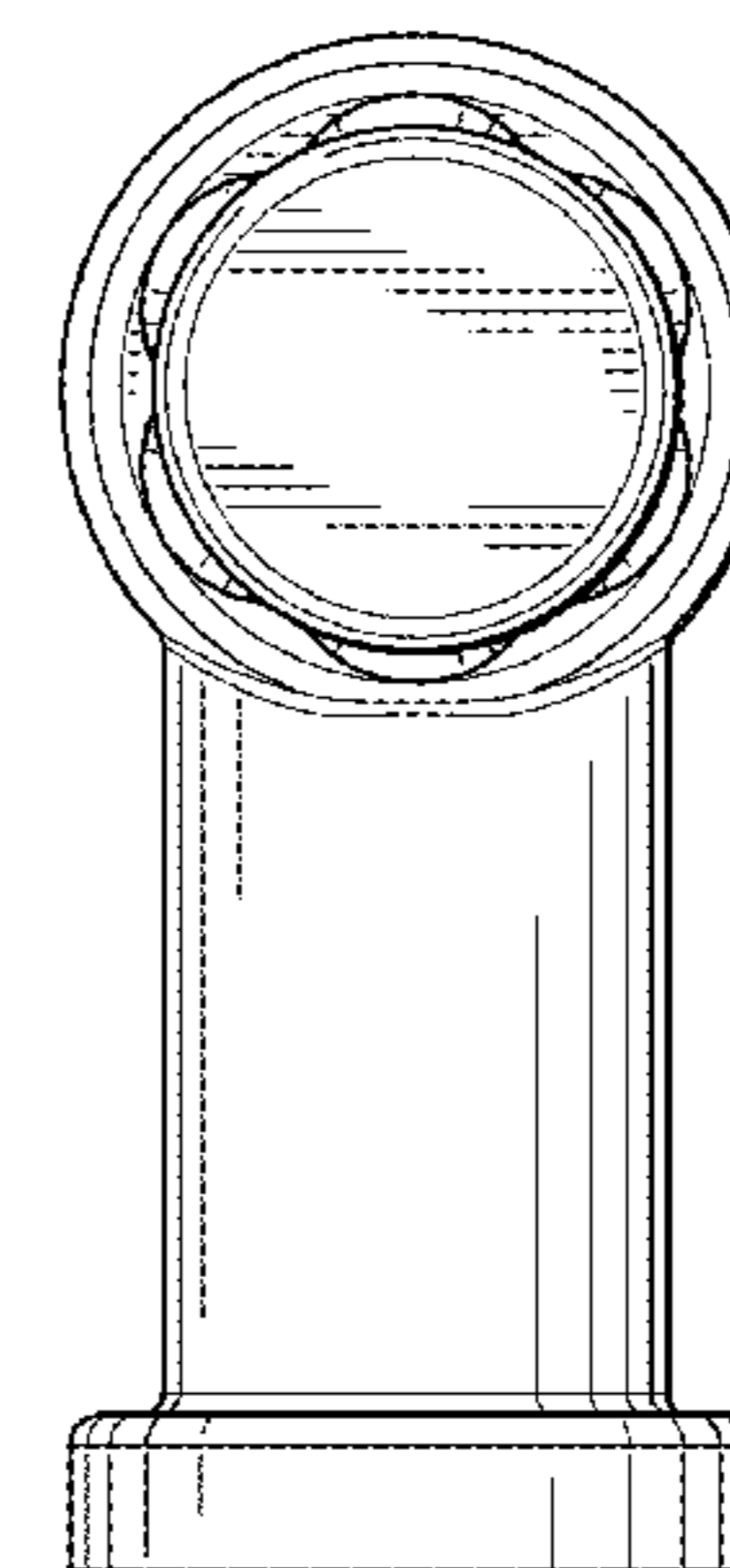
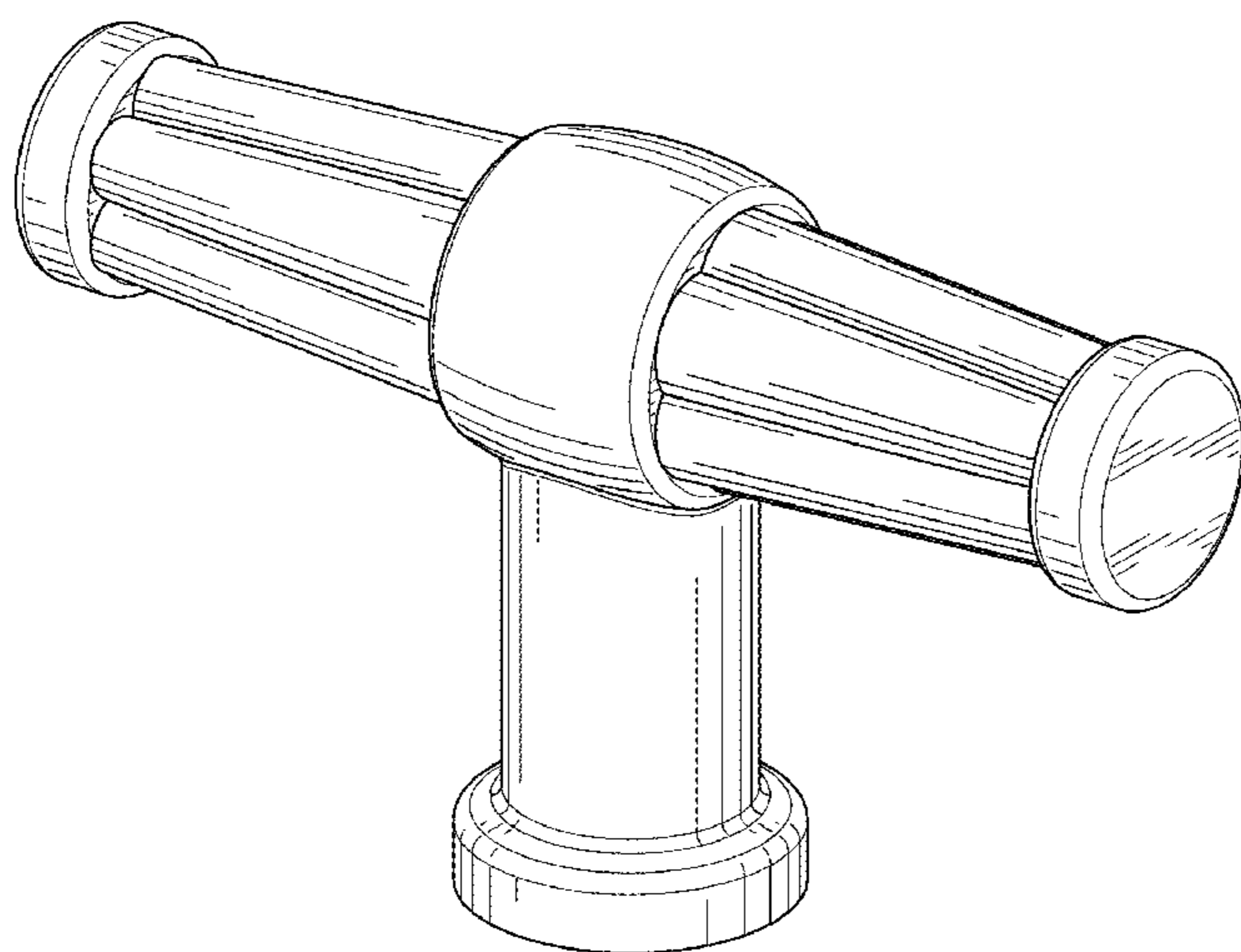
FIG. 3 is an opposite end elevational view of FIG. 1;

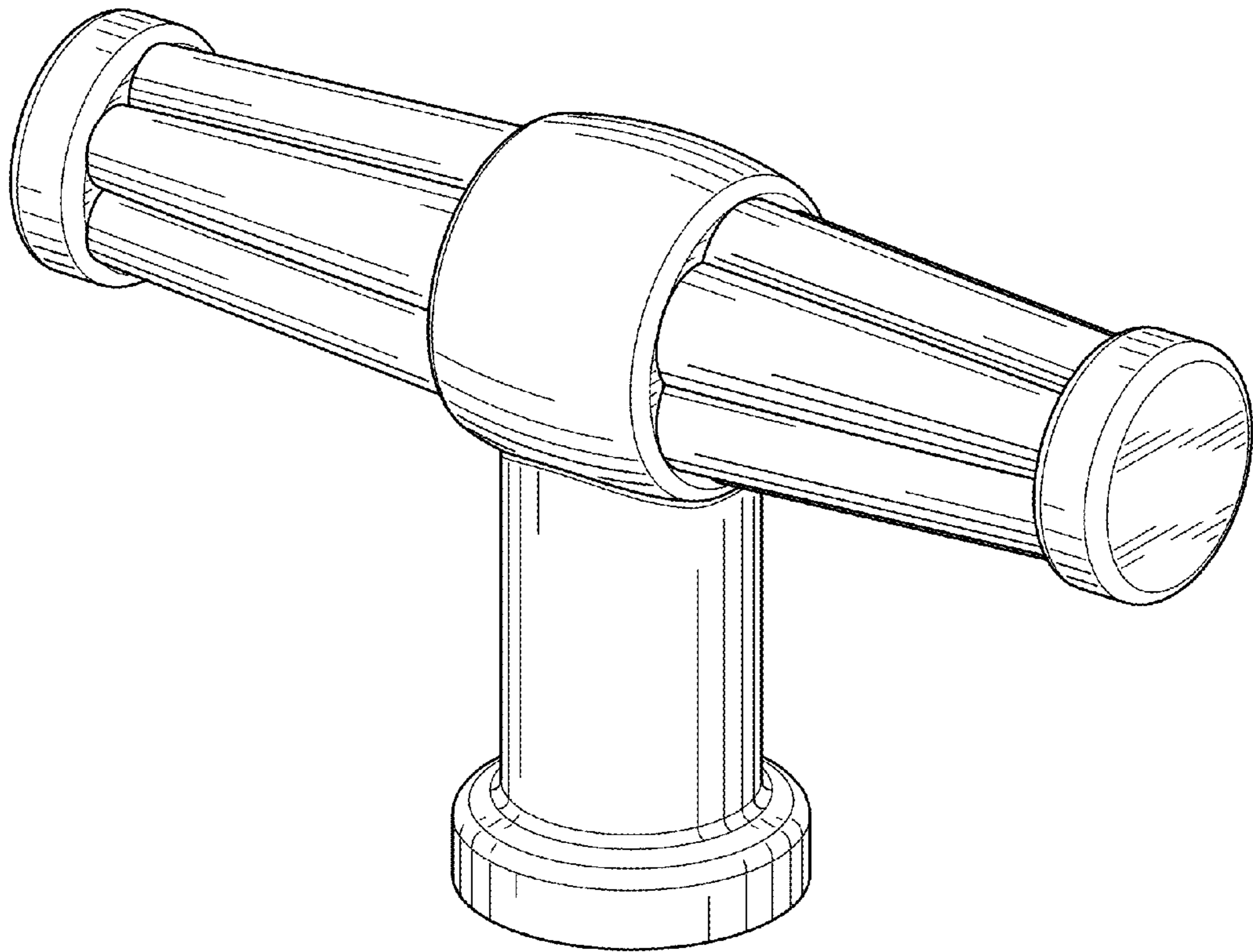
FIG. 4 is a top plan view thereof; and,

FIG. 5 is a bottom plan view thereof.

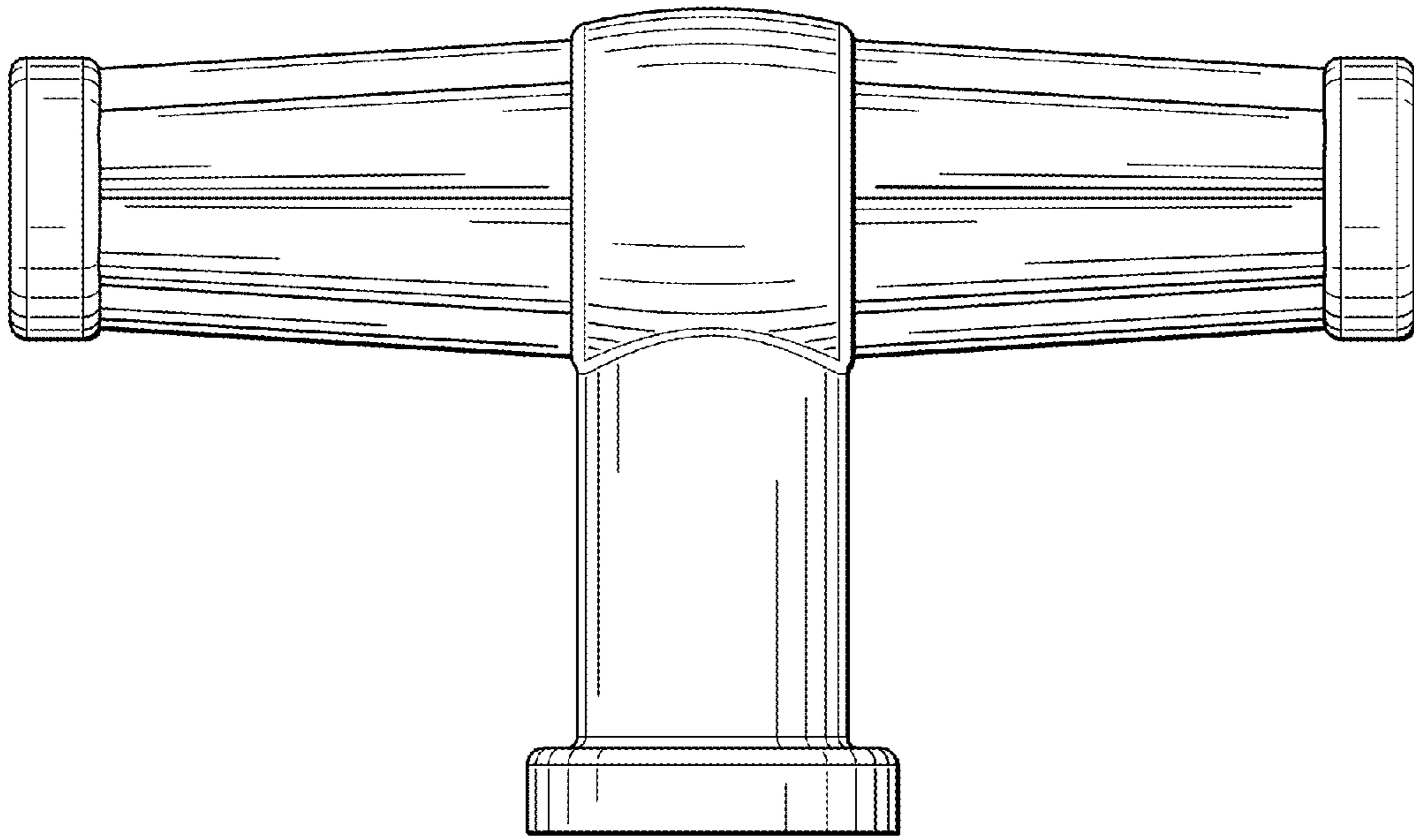
The broken lines shown represent unclaimed subject matter and form no part of the claimed design.

**1 Claim, 3 Drawing Sheets**

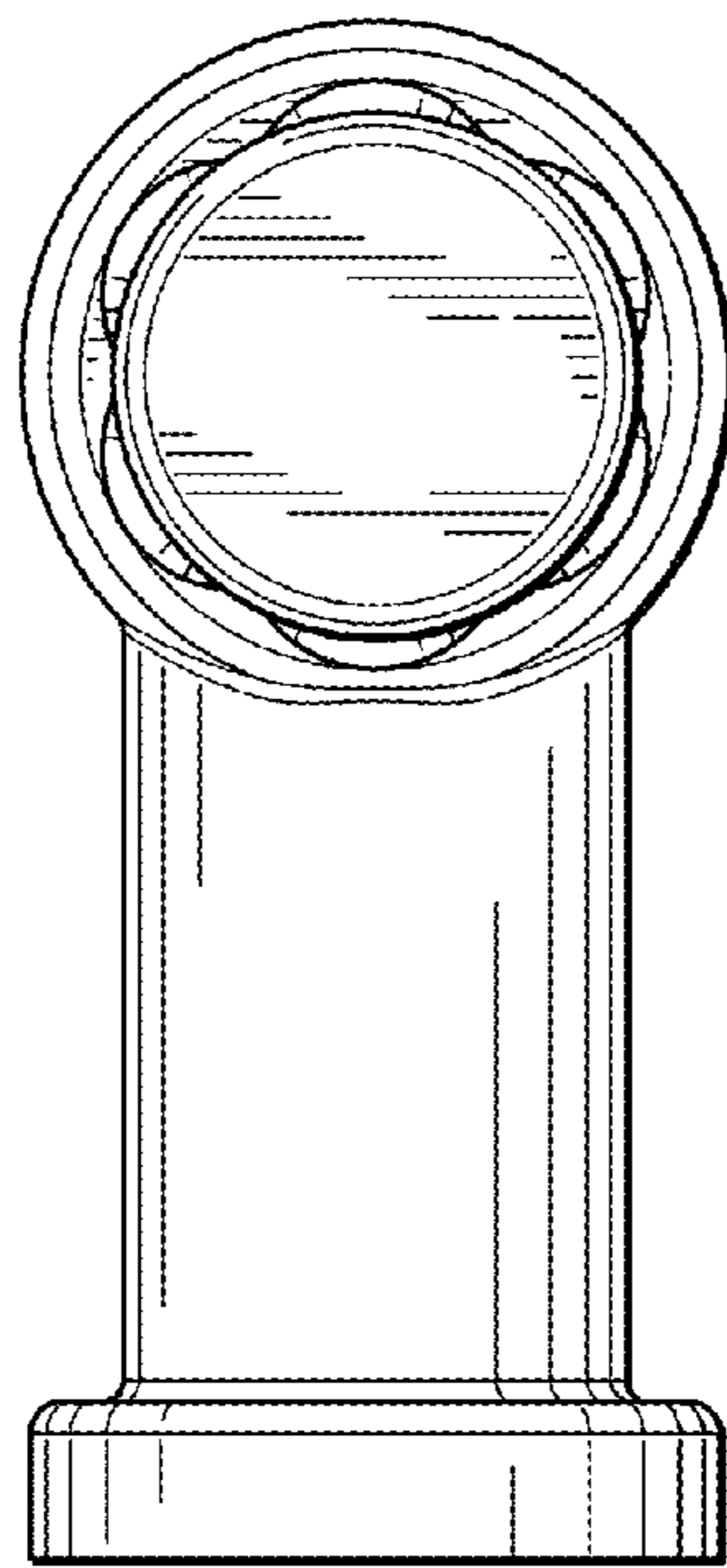




*FIG. 1*



*FIG. 2*



*FIG. 3*

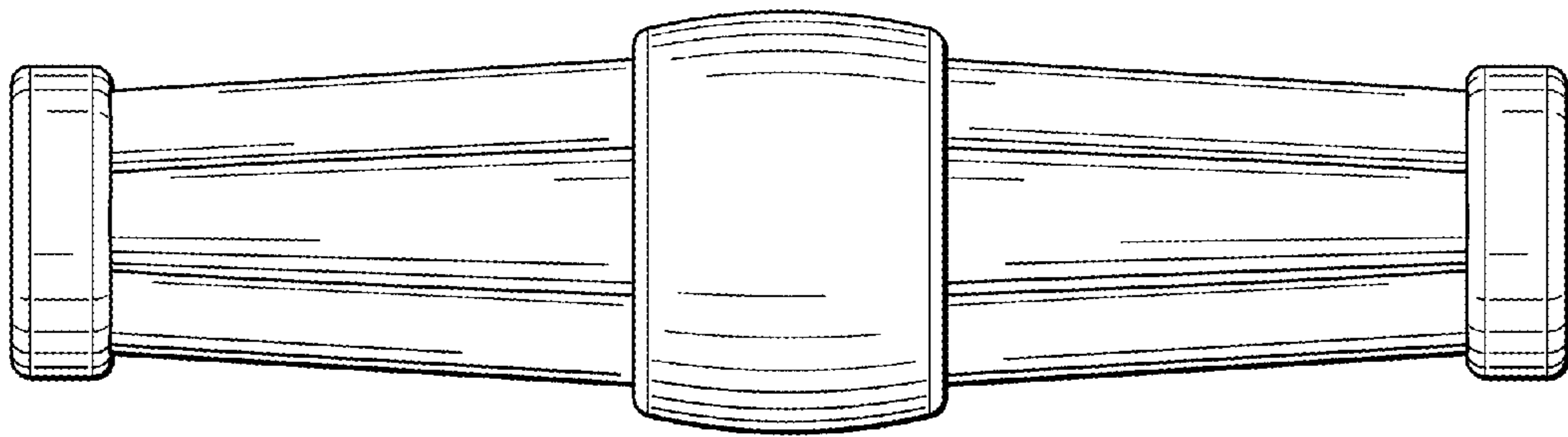


FIG. 4

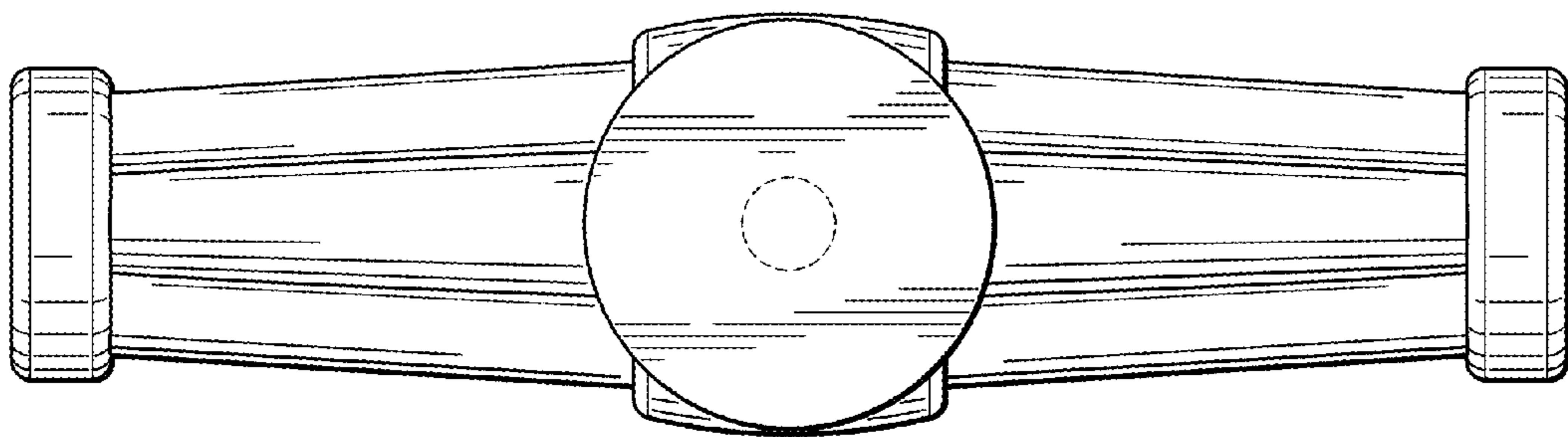


FIG. 5