



US00D680406S

(12) **United States Design Patent**
Ramsland et al.

(10) **Patent No.:** **US D680,406 S**

(45) **Date of Patent:** **** Apr. 23, 2013**

(54) **CABINET KNOB**

(75) Inventors: **Warren Ramsland**, Hillsborough, NJ
(US); **Christine Zimmer**, Hillsborough,
NJ (US)

(73) Assignee: **Top Knobs USA, Inc.**, Hillsborough, NJ
(US)

(**) Term: **14 Years**

(21) Appl. No.: **29/416,391**

(22) Filed: **Mar. 21, 2012**

(51) **LOC (9) Cl.** **08-06**

(52) **U.S. Cl.**
USPC **D8/307; D8/305**

(58) **Field of Classification Search** D8/300,
D8/305, 307, 310, DIG. 1, 315, 316; D7/393;
D6/549; D23/250, 254; 16/110.1, 412, 414,
16/417, 422; 292/336.3

See application file for complete search history.

(56) **References Cited**

U.S. PATENT DOCUMENTS

D56,145 S *	8/1920	Greene	D8/307
D61,057 S *	6/1922	Walker	D8/316
D64,095 S *	2/1924	Yates	D8/307
D204,128 S *	3/1966	Clayton	D8/317
D204,461 S *	4/1966	Voker	D22/108
D205,349 S *	7/1966	Clayton	D8/316
D206,056 S *	10/1966	Amdal	D8/318
D207,633 S *	5/1967	Rhoades	D8/316

D252,183 S *	6/1979	DeWindt	D8/300
D257,476 S *	11/1980	Sirois	D8/316
D372,659 S *	8/1996	De'Armond	D8/317
D542,119 S *	5/2007	Ricereto	D8/317
D598,270 S *	8/2009	Hanes	D8/317
D611,323 S *	3/2010	Koskela	D8/316
D612,703 S *	3/2010	Hanes	D8/307
D634,178 S *	3/2011	Owens	D8/316
D638,275 S *	5/2011	Owens	D8/307
D639,134 S *	6/2011	Owens	D8/316
D661,970 S *	6/2012	Han	D8/316

* cited by examiner

Primary Examiner — Paula Greene

(74) *Attorney, Agent, or Firm* — Schultz & Associates, P.C.

(57) **CLAIM**

The ornamental design for a cabinet knob, as shown and described.

DESCRIPTION

FIG. 1 is a perspective view of a cabinet knob showing my new design;

FIG. 2 is a side elevation view thereof;

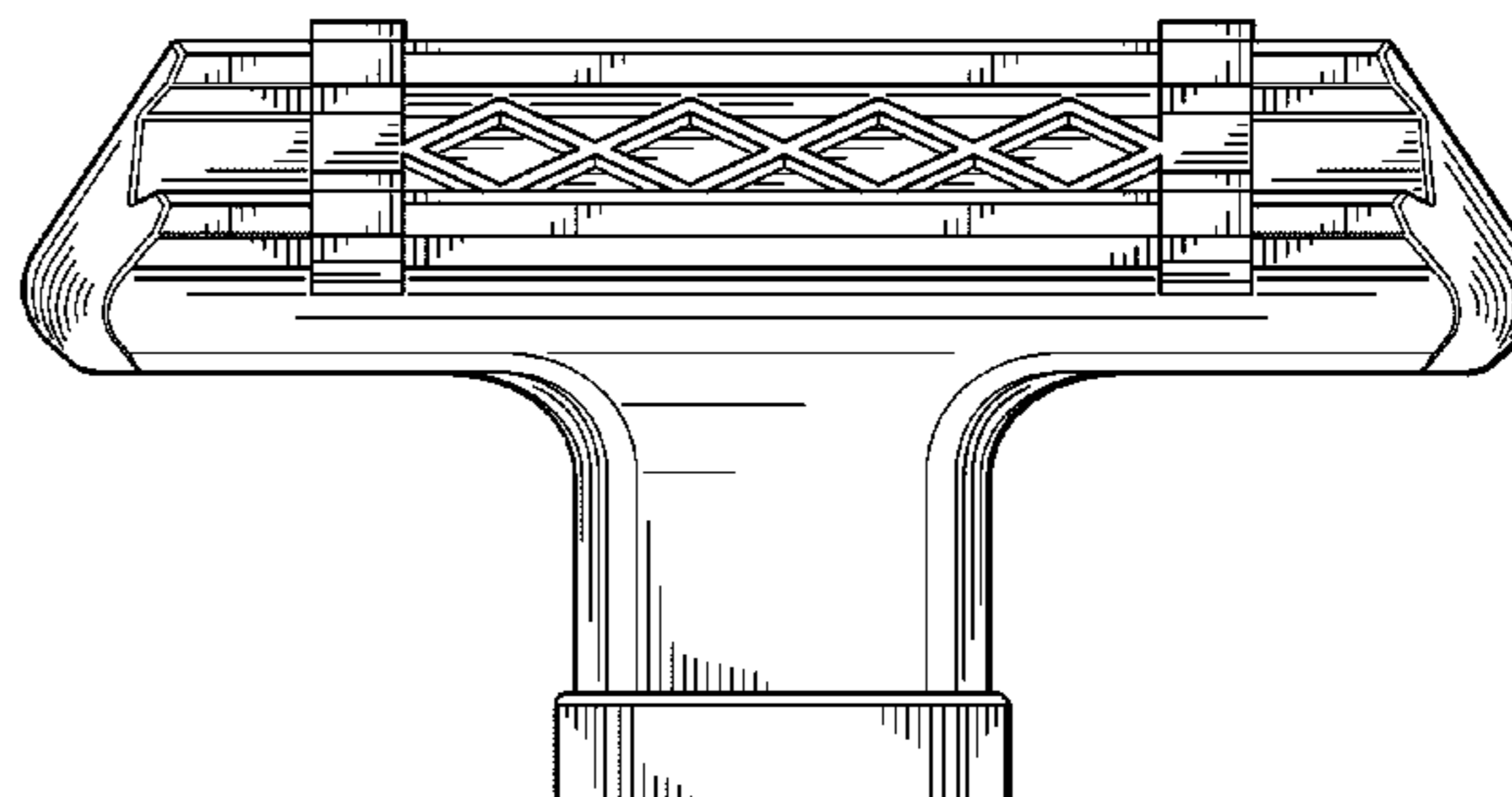
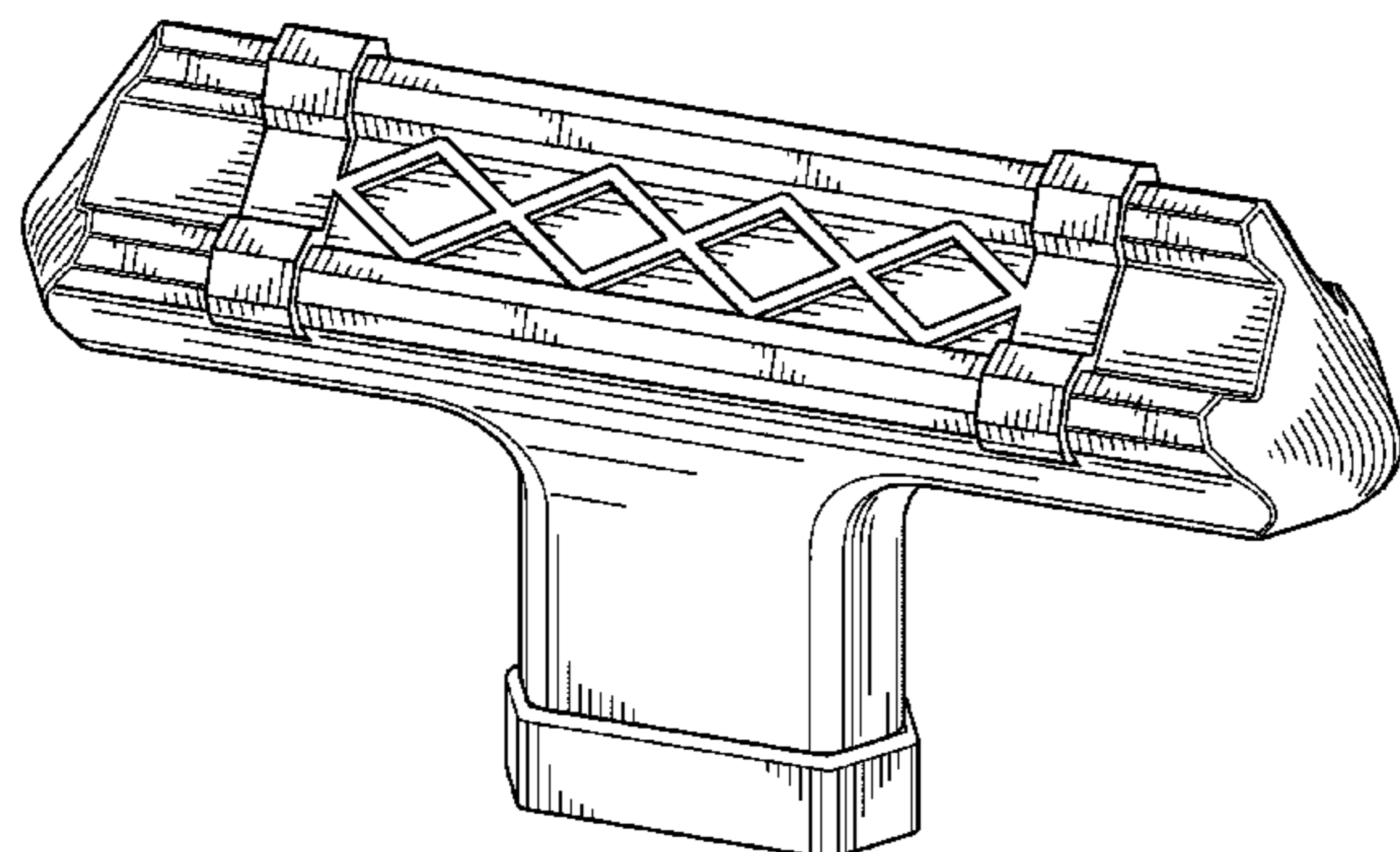
FIG. 3 is a side elevation view thereof;

FIG. 4 is a top plan view thereof; and,

FIG. 5 is a bottom plan view thereof.

The broken lines shown represent unclaimed subject matter and form no part of the claimed design.

1 Claim, 2 Drawing Sheets



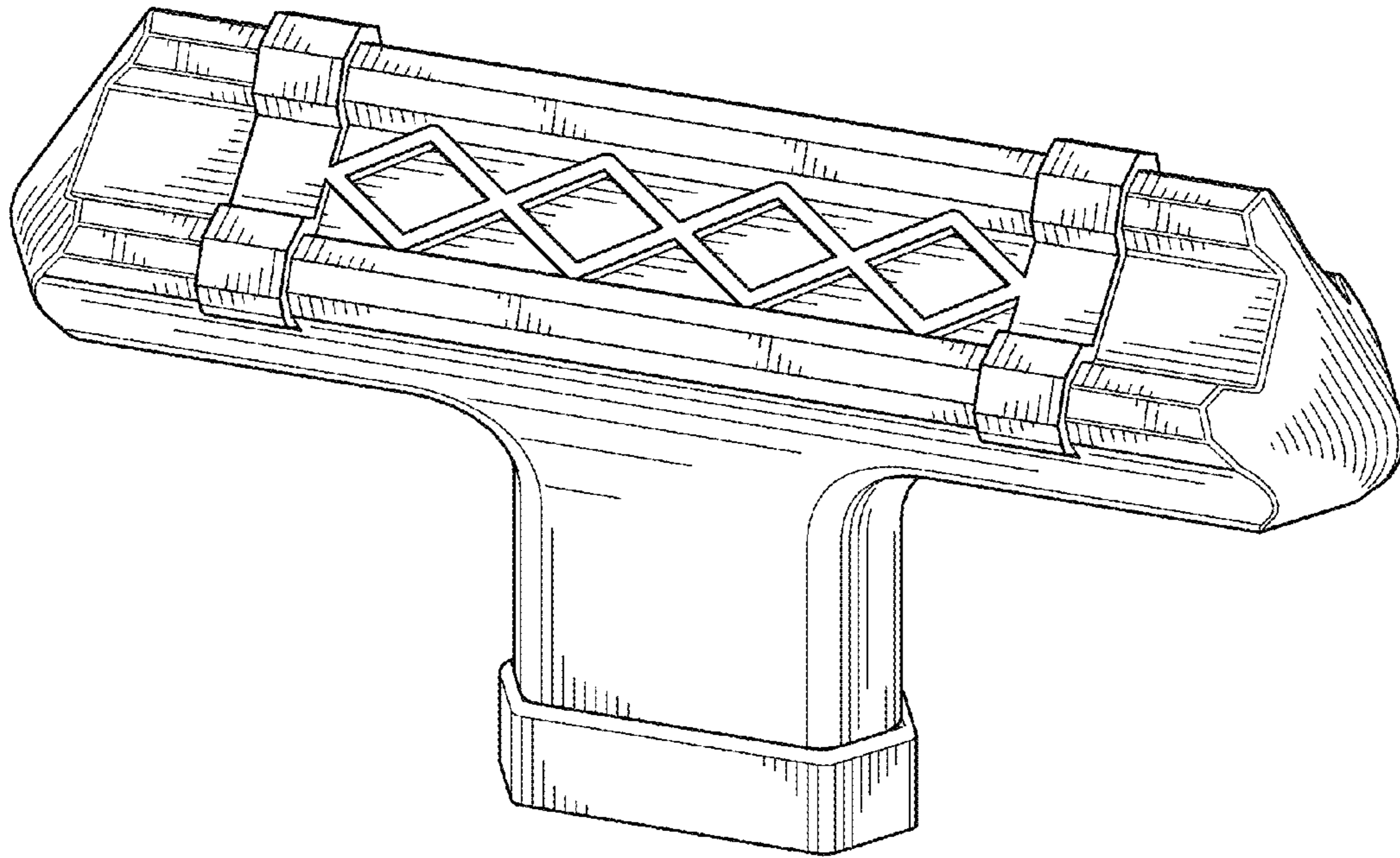


FIG. 1

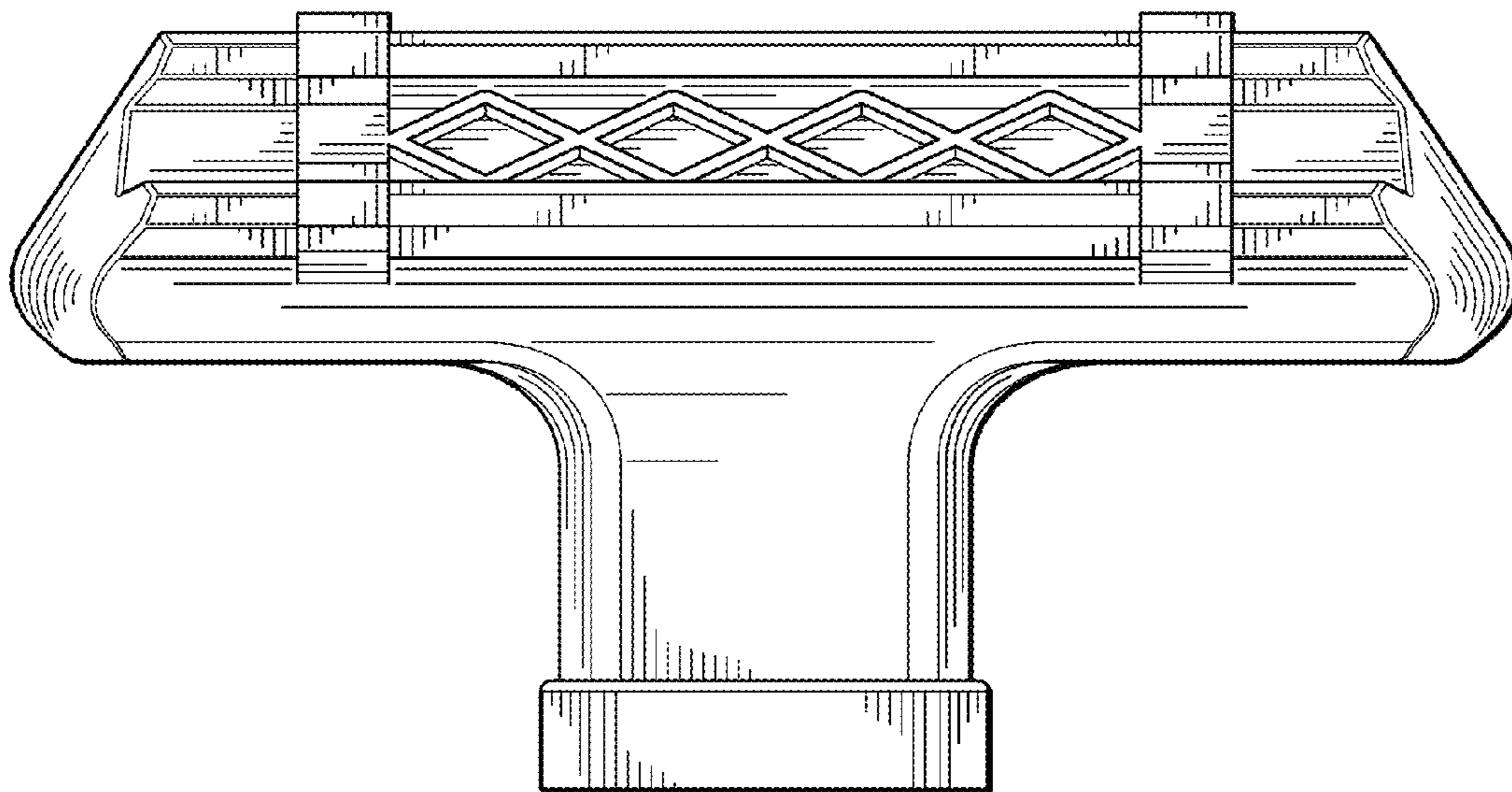


FIG. 2

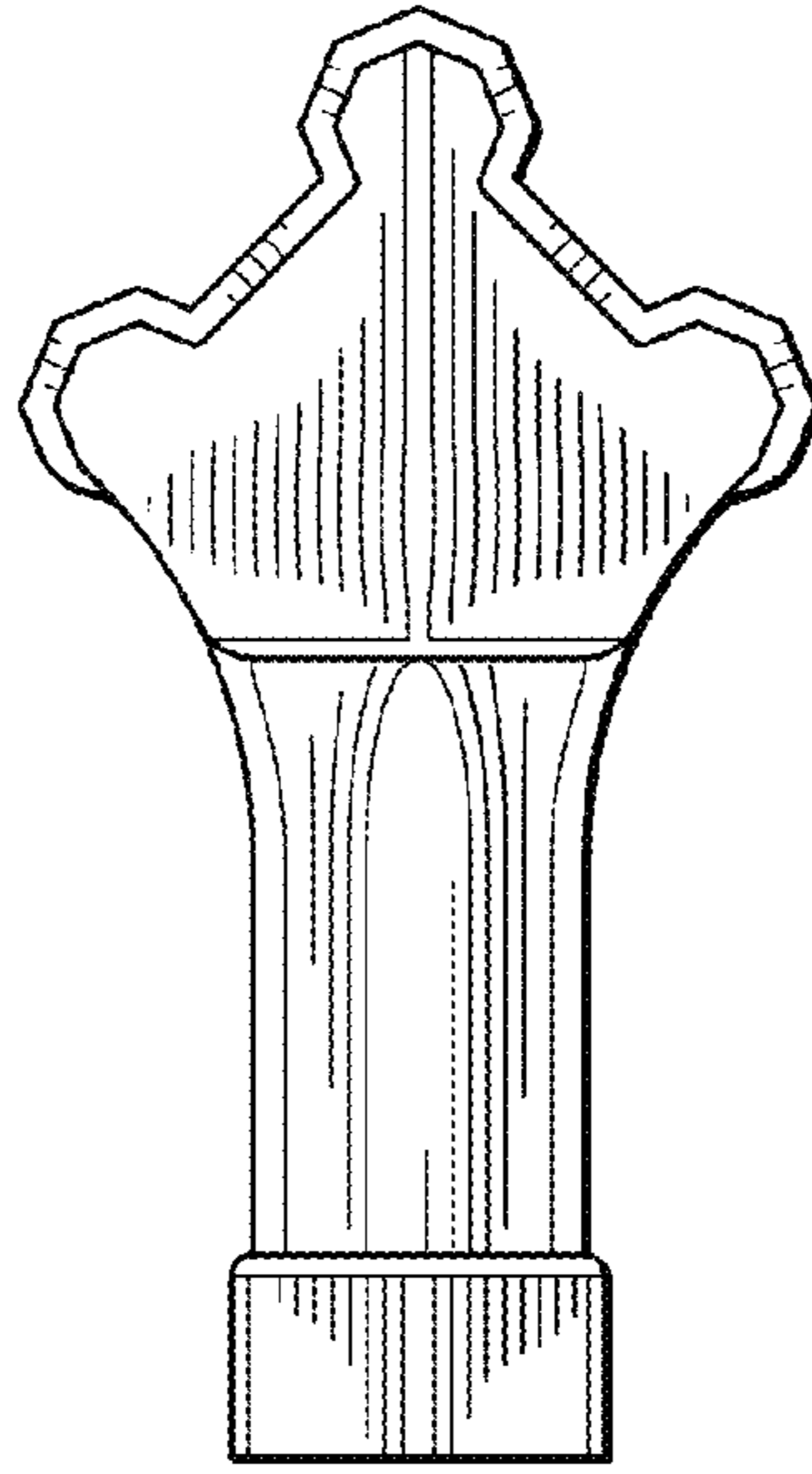


FIG. 3

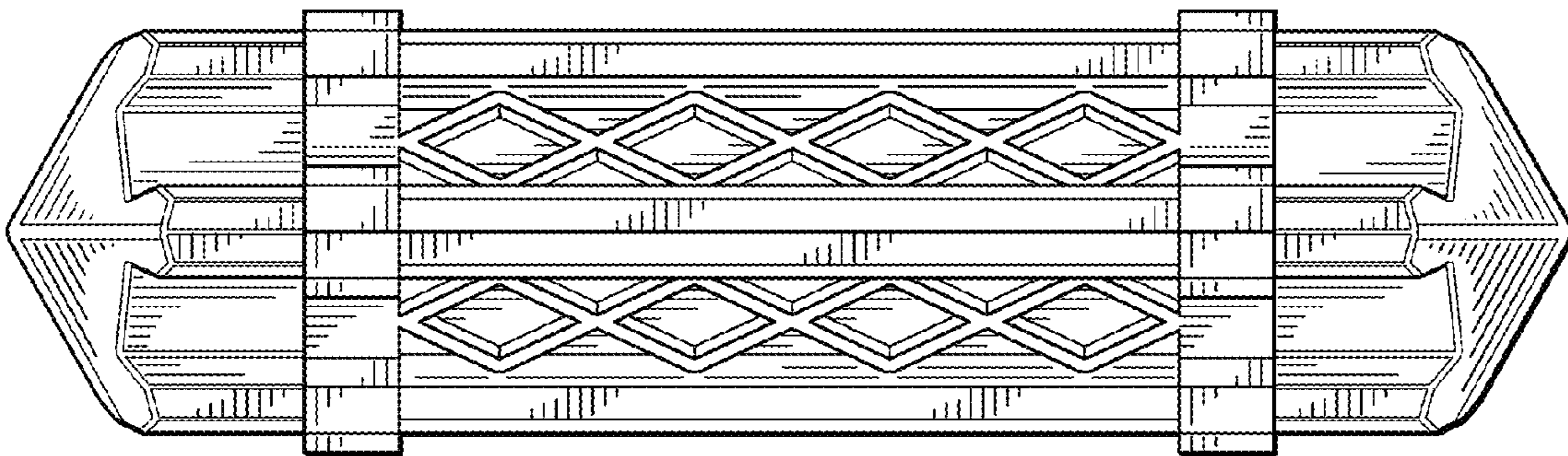


FIG. 4

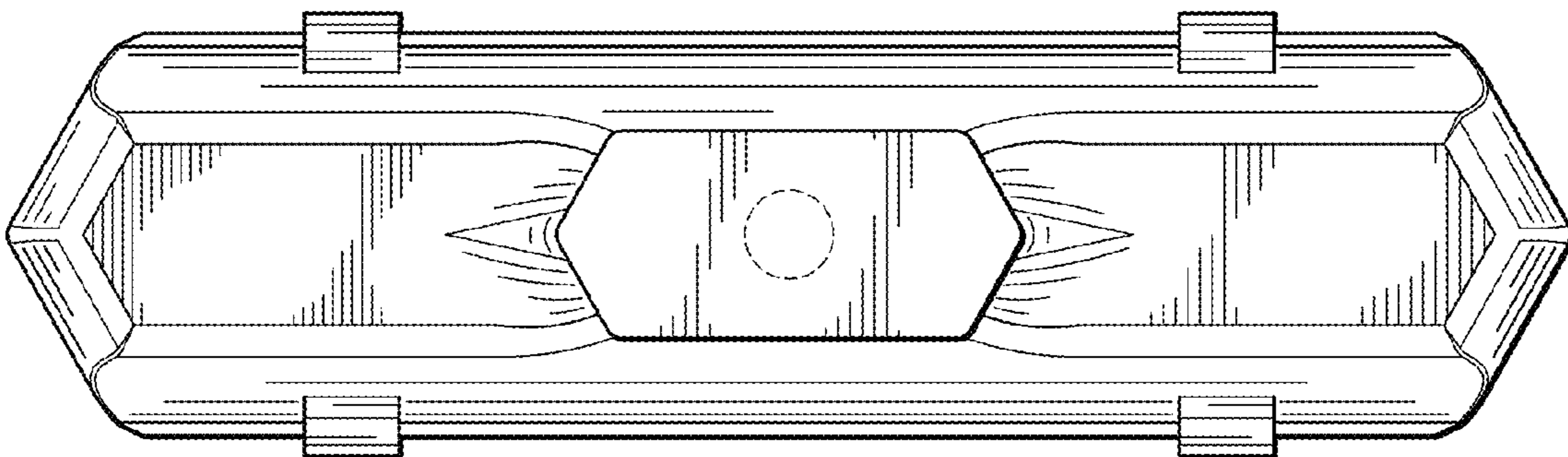


FIG. 5